



US00D882800S

(12) **United States Design Patent** (10) **Patent No.:** **US D882,800 S**
Lee (45) **Date of Patent:** **** Apr. 28, 2020**

(54) **BLOOD GLUCOSE METER**

(56) **References Cited**

(71) Applicant: **PHILOSYS CO., LTD.**, Jeollabuk-Do (KR)

U.S. PATENT DOCUMENTS

(72) Inventor: **Ho Sul Lee**, Seoul (KR)

D546,454 S *	7/2007	Gutmann	D24/169
D546,458 S *	7/2007	Hannant	D24/186
D648,029 S *	11/2011	Presta	D24/169
D696,404 S *	12/2013	Golnik	D24/169
D729,939 S *	5/2015	Moon	D24/169
D739,945 S *	9/2015	Cadio	D24/169
D747,490 S *	1/2016	Harkin	D24/169
D750,786 S *	3/2016	Davies	D24/169
D778,445 S *	2/2017	Cadio	D24/169
D787,067 S *	5/2017	Wightman	D24/169
D822,211 S *	7/2018	Davies	D24/169
D822,212 S *	7/2018	Sebban	D24/169
D851,769 S *	6/2019	Wirz	D24/169
D858,775 S *	9/2019	Wightman	D24/169
2015/0324520 A1 *	11/2015	Aykroyd	A61B 5/145 707/754
2016/0047771 A1 *	2/2016	Mears	G01N 27/3273 204/406

(73) Assignee: **Philosys Co., Ltd.**, Jeollabuk-do (KR)

(**) Term: **15 Years**

(21) Appl. No.: **35/505,849**

(22) Filed: **Sep. 7, 2018**

(80) **Hague Agreement Data**

Int. Filing Date: **Sep. 7, 2018**
Int. Reg. No.: **DM/103074**
Int. Reg. Date: **Sep. 7, 2018**
Int. Reg. Pub. Date: **Oct. 12, 2018**

* cited by examiner

Primary Examiner — Samantha Q Lawrence

(74) *Attorney, Agent, or Firm* — Quarles & Brady LLP

(30) **Foreign Application Priority Data**

Jul. 9, 2018 (KR) 30-2018-0031361

(51) **LOC (12) Cl.** **24-02**

(52) **U.S. Cl.**
USPC **D24/169**

(58) **Field of Classification Search**

USPC D24/107, 147, 169, 186, 216, 223, 231,
D24/232, 164, 165, 166, 167, 168;
D10/46, 75, 78, 81; D14/341, 388
CPC A61B 5/14532; A61B 2562/0295; A61B
5/157; A61B 2505/07; A61B 2560/0431;
A61B 5/145; A61B 5/150022; A61B
5/742; A61B 5/7475; G06F 19/3456;
G16H 40/63; G16H 10/40; G16H 10/60;
C12Q 1/006; G01N 33/4875; G01N
33/48785; G01N 33/50; G08B 5/36
See application file for complete search history.

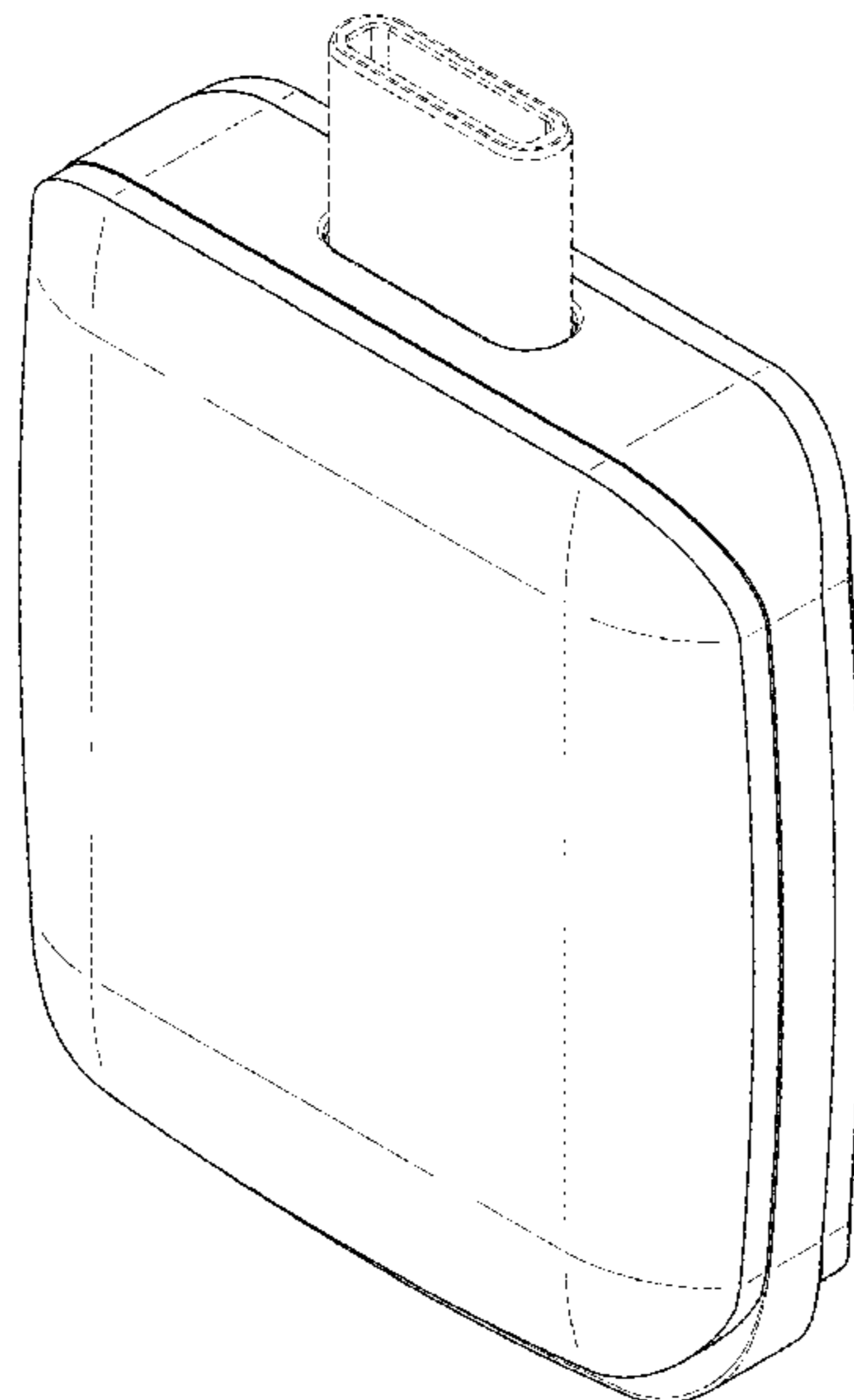
(57) **CLAIM**

The ornamental design for a blood glucose meter, as shown and described.

DESCRIPTION

Figure 1.1 is a perspective view of a blood glucose meter; Figure 1.2 is a front view thereof; Figure 1.3 is a back view thereof; Figure 1.4 is a left side view thereof; Figure 1.5 is a right side view thereof; Figure 1.6 is a top view thereof; and Figure 1.7 is a bottom view thereof. The dash-dash-dash broken lines in the drawings are for the purpose of illustrating portions of the blood glucose meter and form no part of the claimed design.

1 Claim, 6 Drawing Sheets



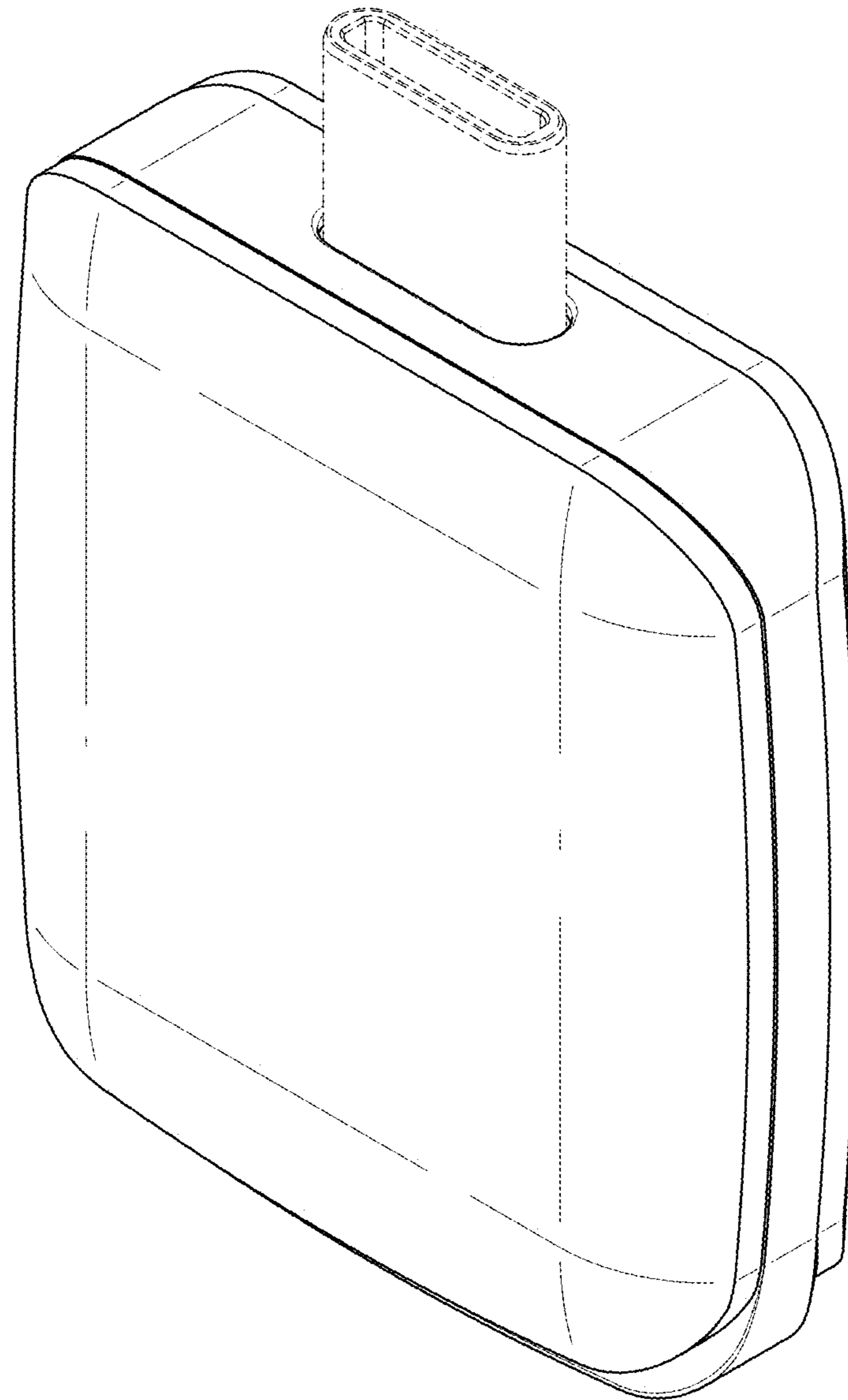


FIG. 1.1

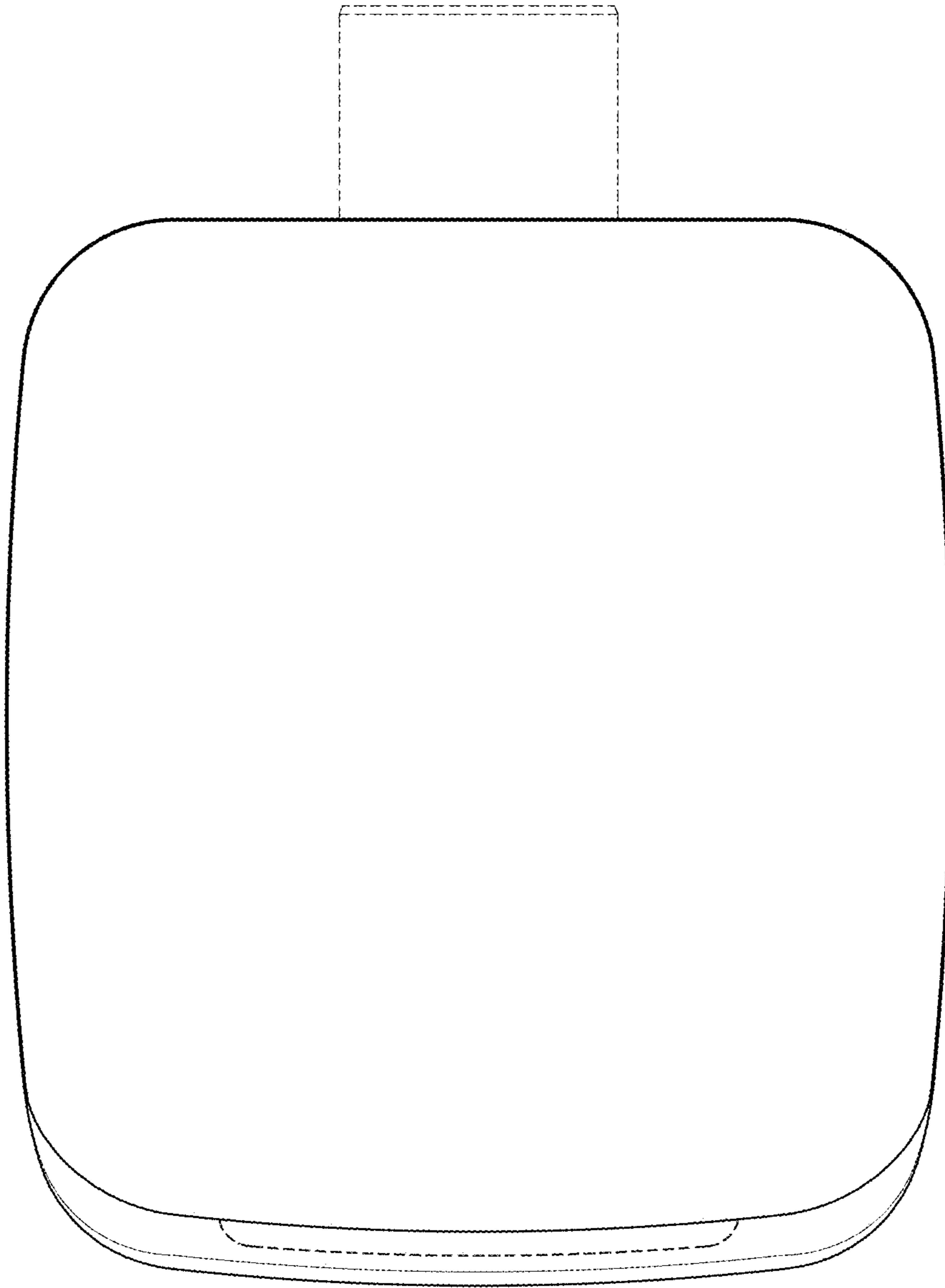


FIG. 1.2

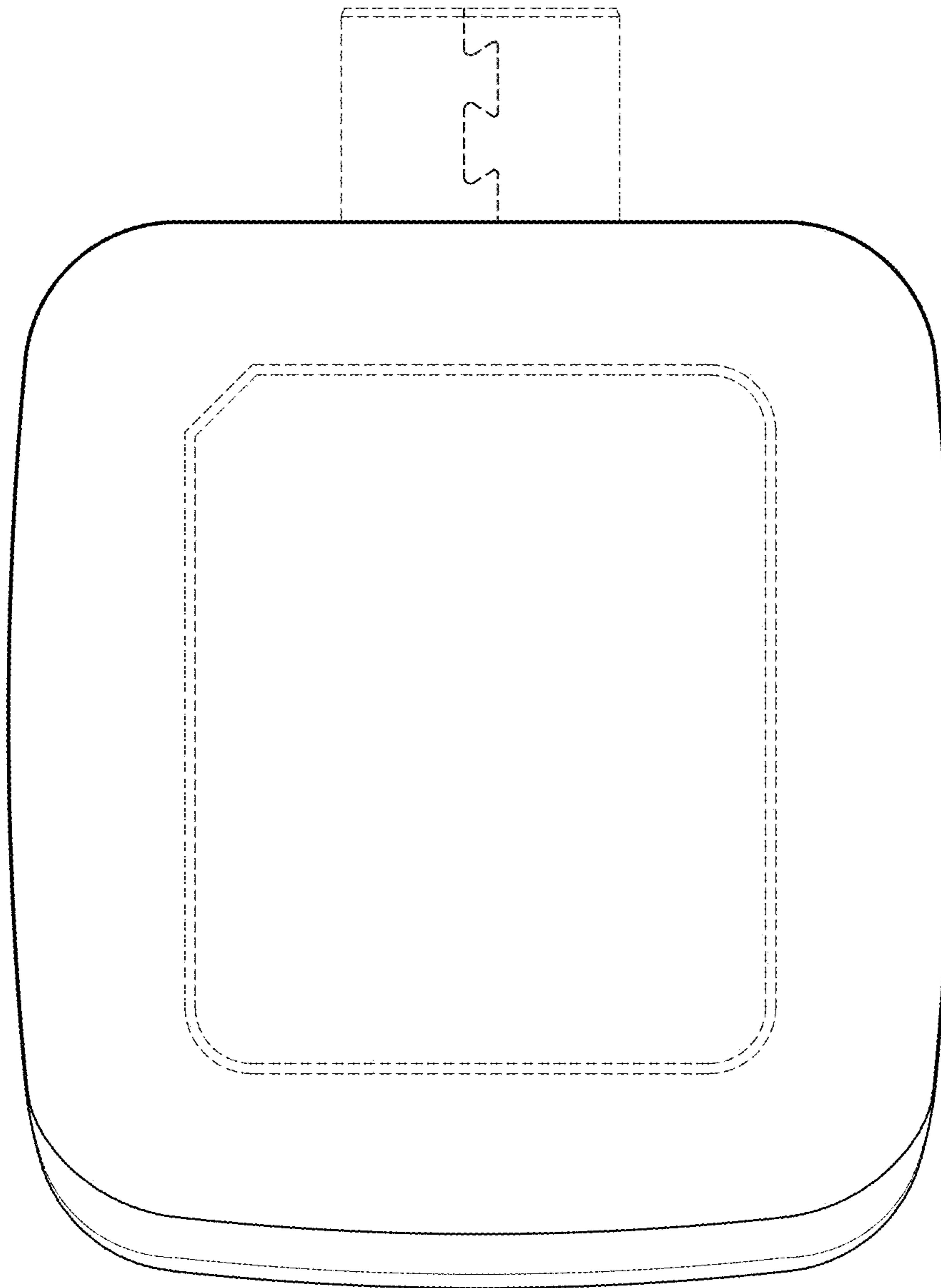


FIG. 1.3

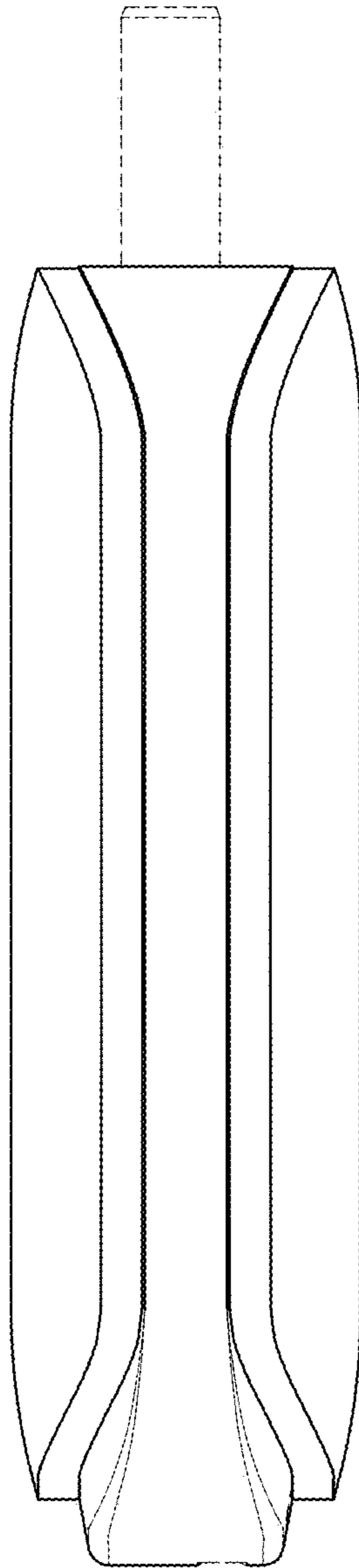


FIG. 1.4

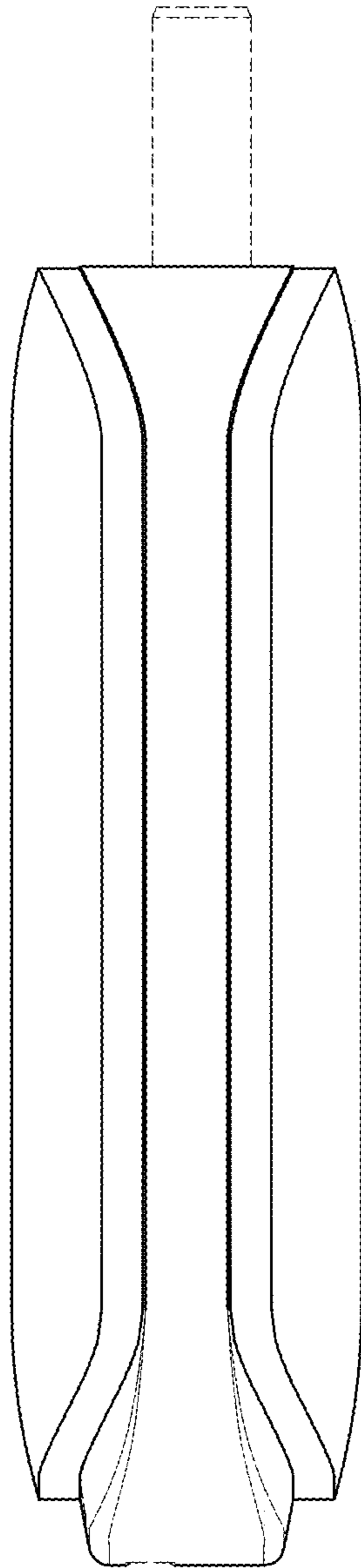


FIG. 1.5

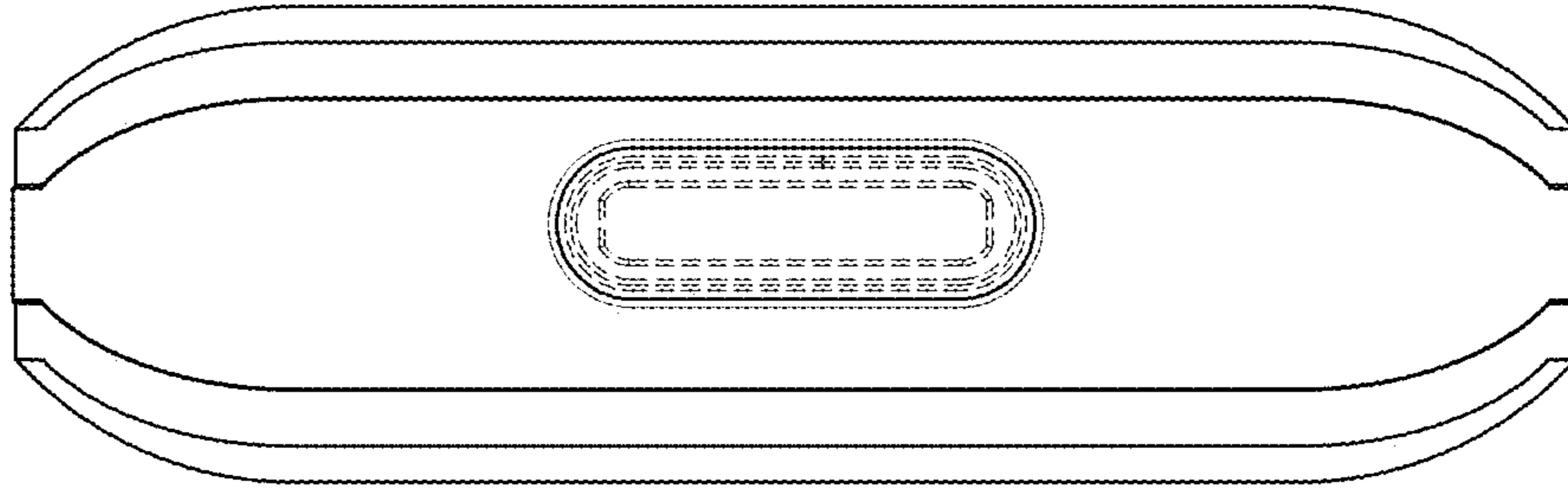


FIG. 1.6

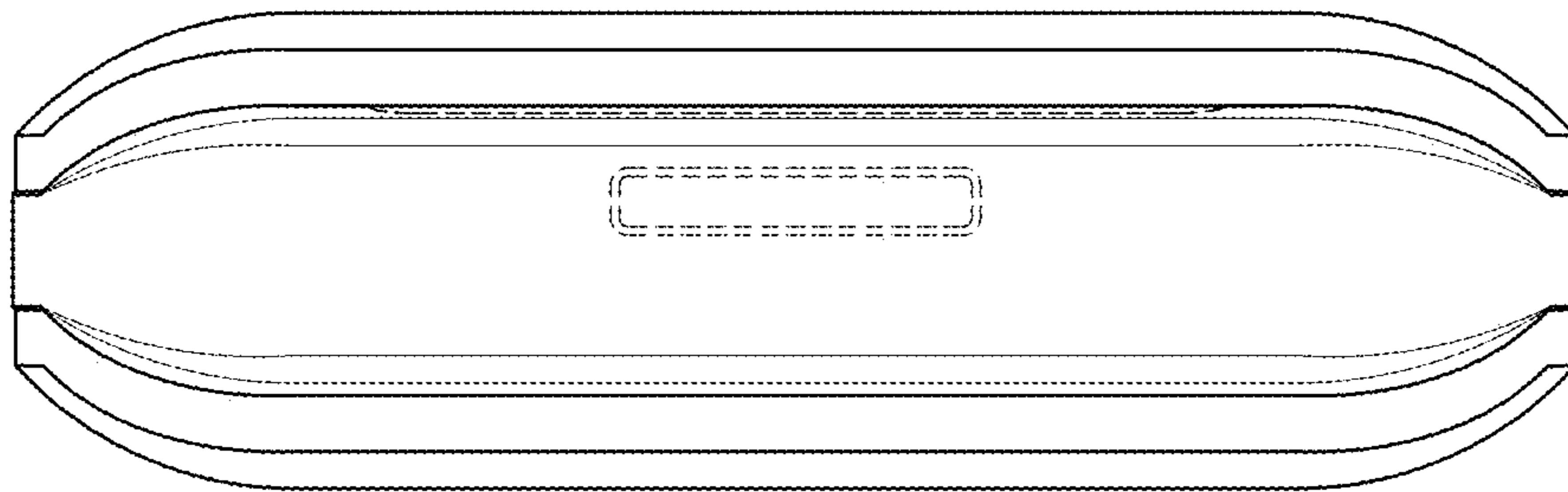


FIG. 1.7