



US00D882799S

(12) **United States Design Patent**
Moon et al.

(10) **Patent No.:** **US D882,799 S**

(45) **Date of Patent:** **** Apr. 28, 2020**

(54) **PROBE SUPPORTER FOR ULTRASOUND
DIAGNOSTIC APPARATUS**

(71) Applicant: **SAMSUNG MEDISON CO., LTD.**,
Hongcheon-gun (KR)

(72) Inventors: **Junpil Moon**, Seoul (KR); **Sungwon
Lim**, Paju-si (KR); **Kilsu Ha**, Yongin-si
(KR); **Ui Kim**, Seoul (KR)

(73) Assignee: **Samsung Medison Co., Ltd.**,
Hongcheon-gun (KR)

(**) Term: **15 Years**

(21) Appl. No.: **29/661,313**

(22) Filed: **Aug. 27, 2018**

(30) **Foreign Application Priority Data**

Aug. 16, 2018 (KR) 30-2018-0037897

(51) **LOC (12) Cl.** **24-01**

(52) **U.S. Cl.**
USPC **D24/160; D24/186**

(58) **Field of Classification Search**
USPC D24/158-161, 185, 186, 187, 107, 152,
D24/176, 177
CPC ... A61B 6/4405; A61B 6/4411; A61B 6/4435;
A61B 6/4441; A61B 6/4447; A61B
8/4405; A61B 8/4411; A61B 8/4427;
A61B 8/462; A61B 8/0437; A61B 8/0883
See application file for complete search history.

(56) **References Cited**

U.S. PATENT DOCUMENTS

D351,231 S * 10/1994 Austin, Jr. D24/177
D380,549 S * 7/1997 Pate D24/152

D605,296 S * 12/2009 Hosey D24/177
D605,772 S * 12/2009 Staufenberg D24/177
D607,109 S * 12/2009 Lewis D24/177
D621,512 S * 8/2010 Bukoski D24/177
D665,502 S * 8/2012 Frenkler D24/177
D687,147 S * 7/2013 Yoshida D24/185
D696,783 S * 12/2013 Chung D24/185
D708,341 S * 7/2014 Ikegame D24/185
D847,347 S * 4/2019 Nielsen D24/177

* cited by examiner

Primary Examiner — Anhdao Doan

(74) *Attorney, Agent, or Firm* — Ladas & Parry LLP

(57) **CLAIM**

We claim the ornamental design for a probe supporter for
ultrasound diagnostic apparatus, as shown and described.

DESCRIPTION

FIG. 1 is a front perspective view of a probe supporter for
ultrasound diagnostic apparatus showing our new design;
FIG. 2 is a front view thereof;
FIG. 3 is a rear view thereof;
FIG. 4 is a left-side view thereof;
FIG. 5 is a right-side view thereof;
FIG. 6 is a top view thereof;
FIG. 7 is a bottom view thereof;
FIG. 8 is a rear perspective view thereof; and,
FIG. 9 is another rear perspective view thereof in condition
of use.

The broken lines depicting an ultrasound diagnostic appa-
ratus in FIG. 9 represent an environment, and the remaining
broken lines illustrate portions of the probe supporter for the
ultrasound diagnostic apparatus that form no part of the
claimed design.

1 Claim, 9 Drawing Sheets

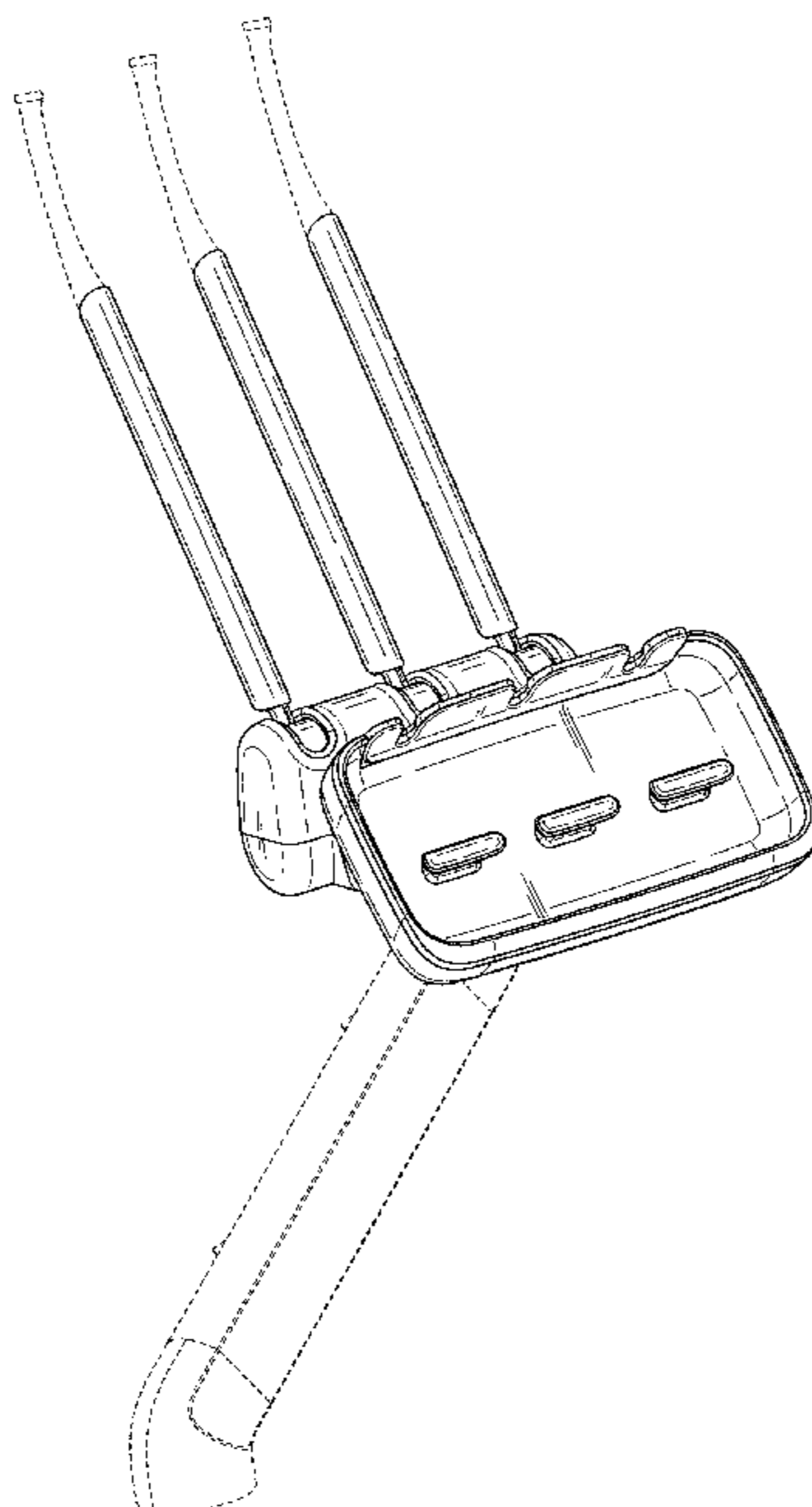


FIG. 1

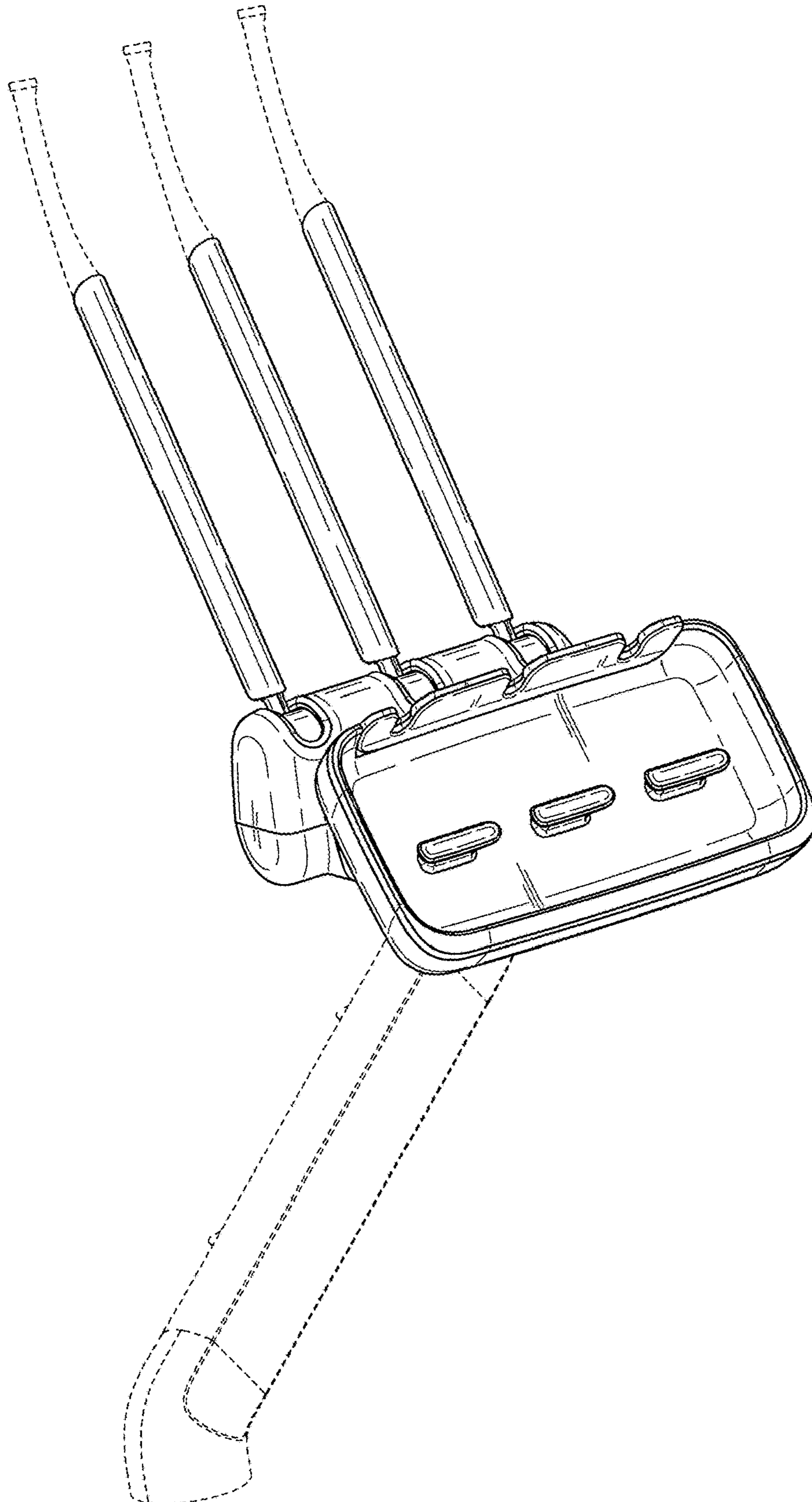


FIG. 2

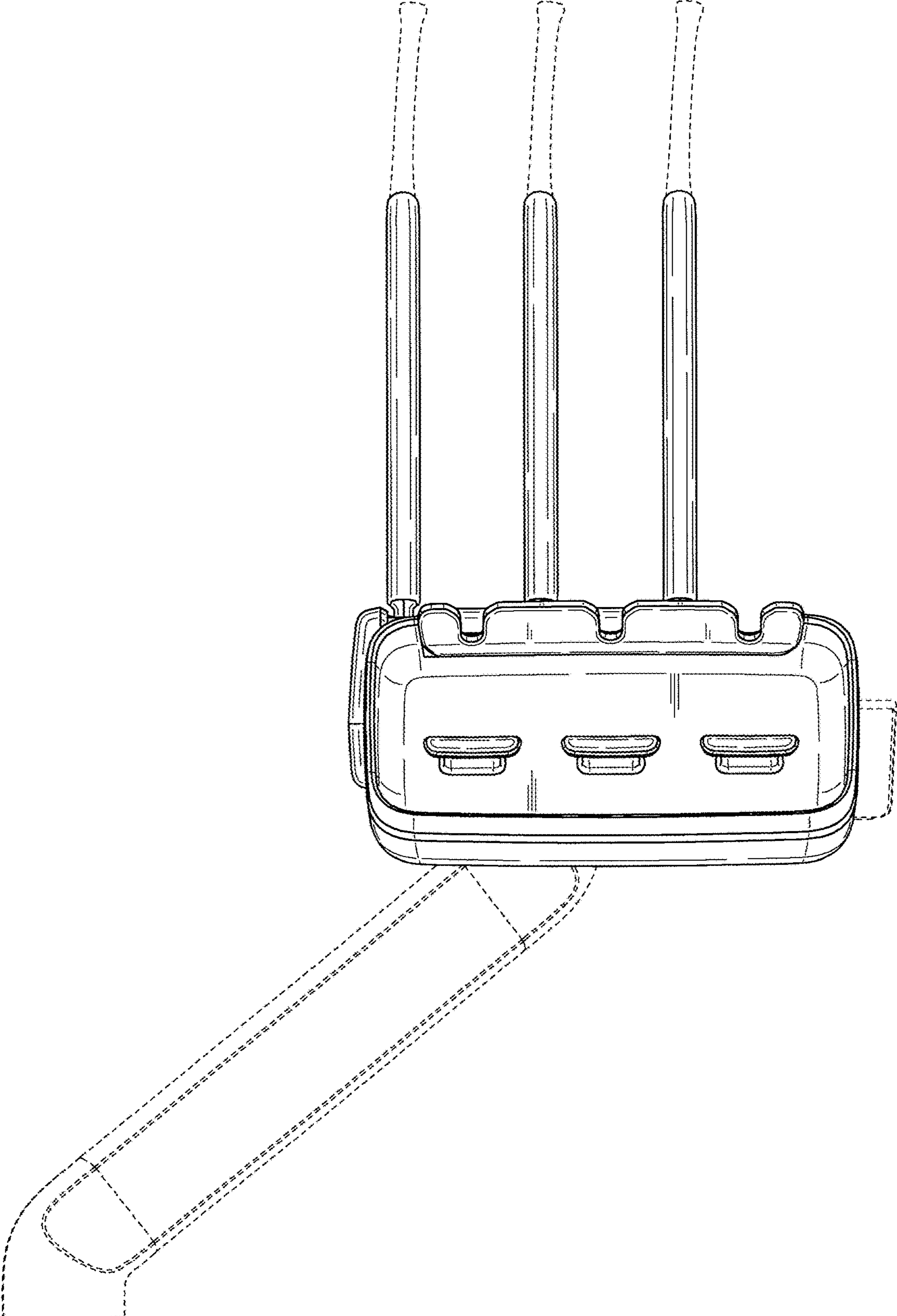


FIG. 3

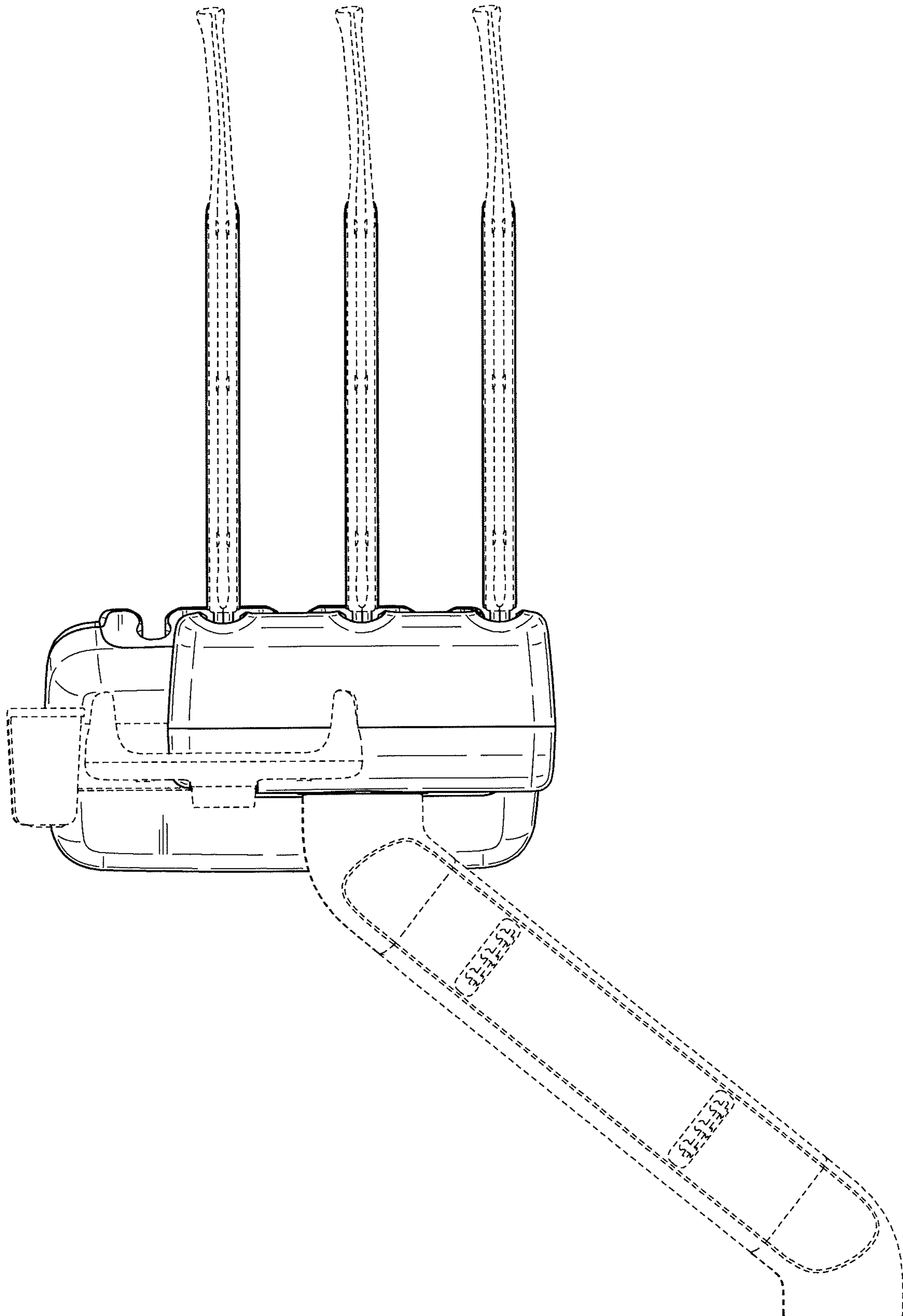


FIG. 4

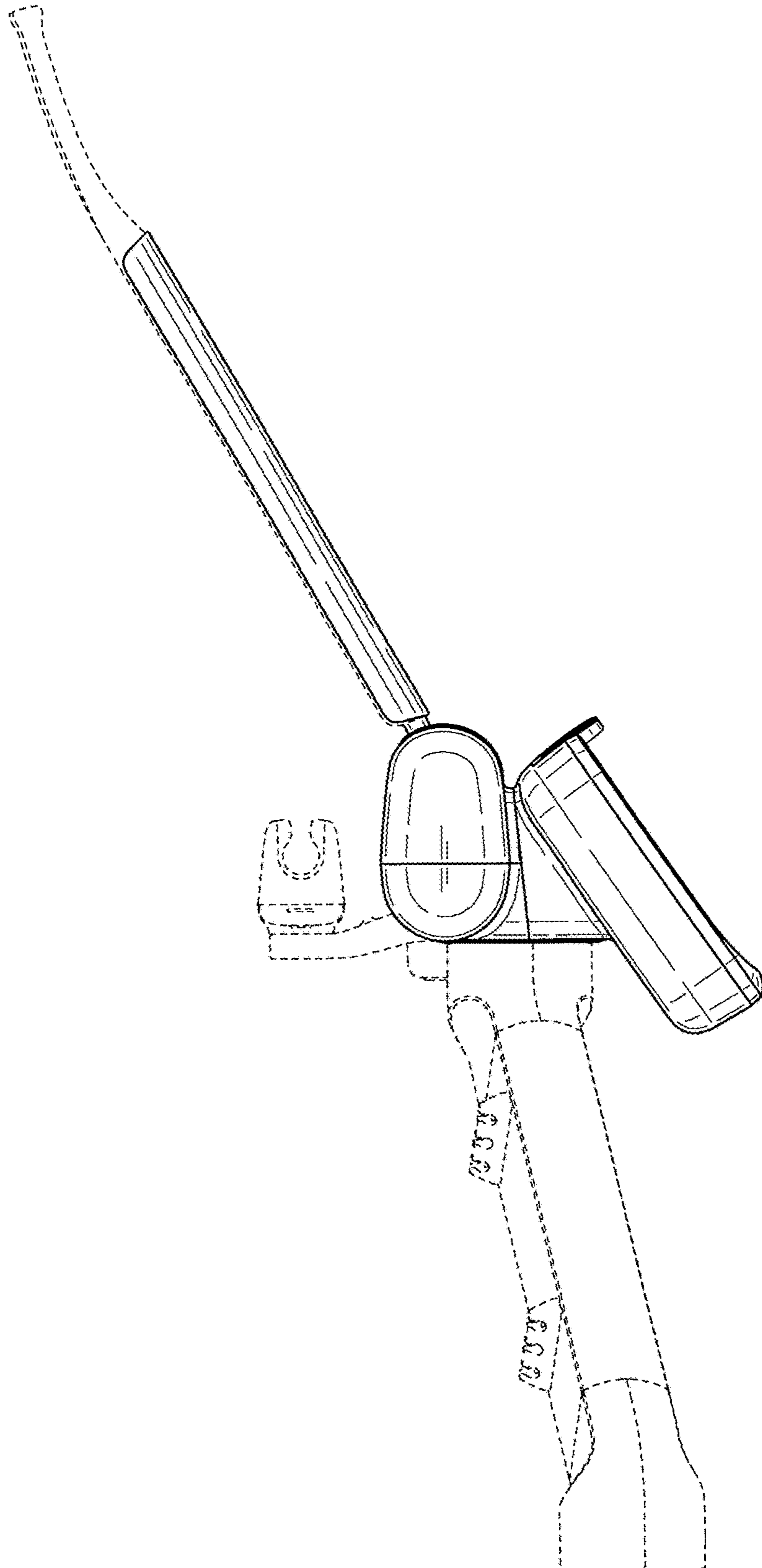


FIG. 5

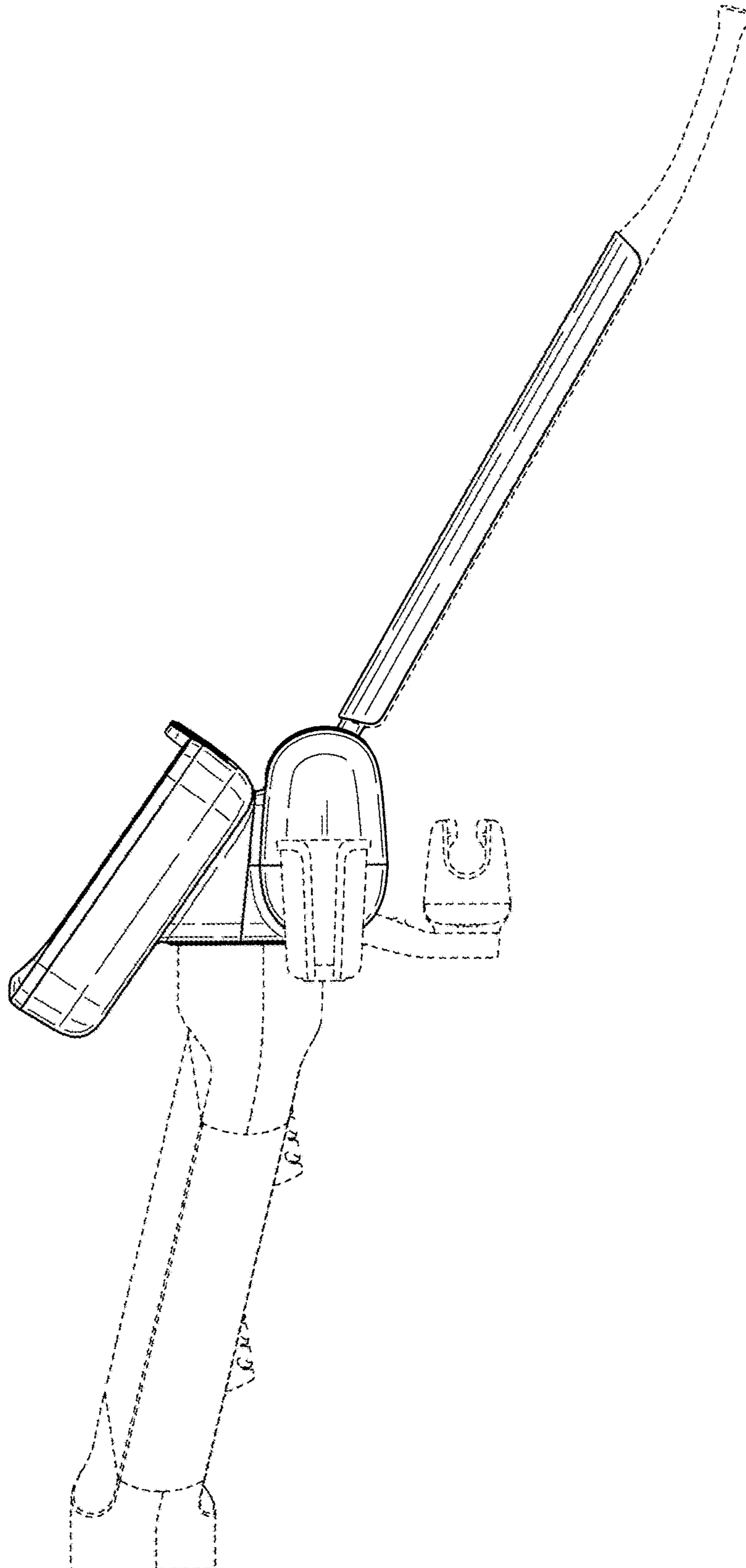


FIG. 6

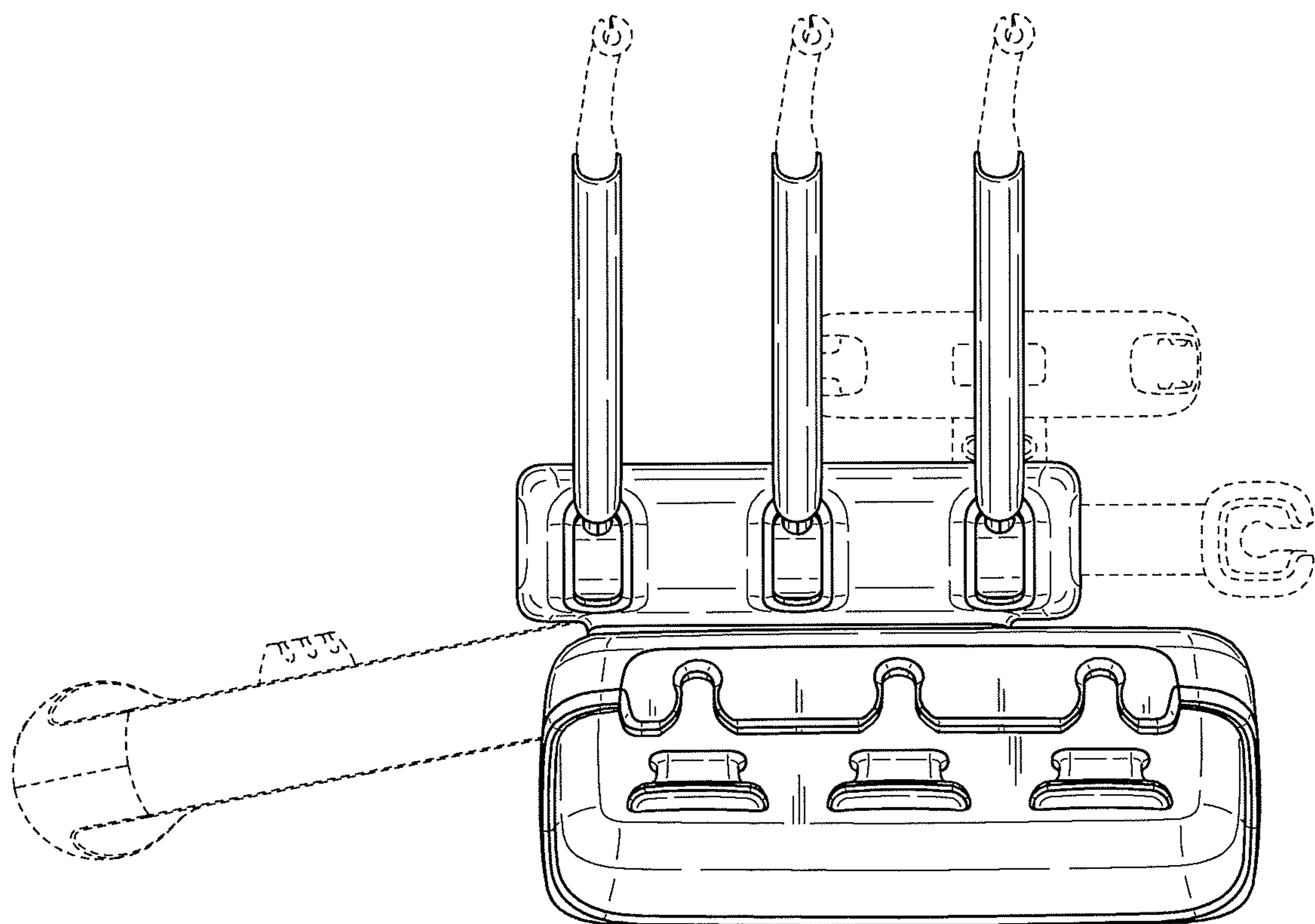


FIG. 7

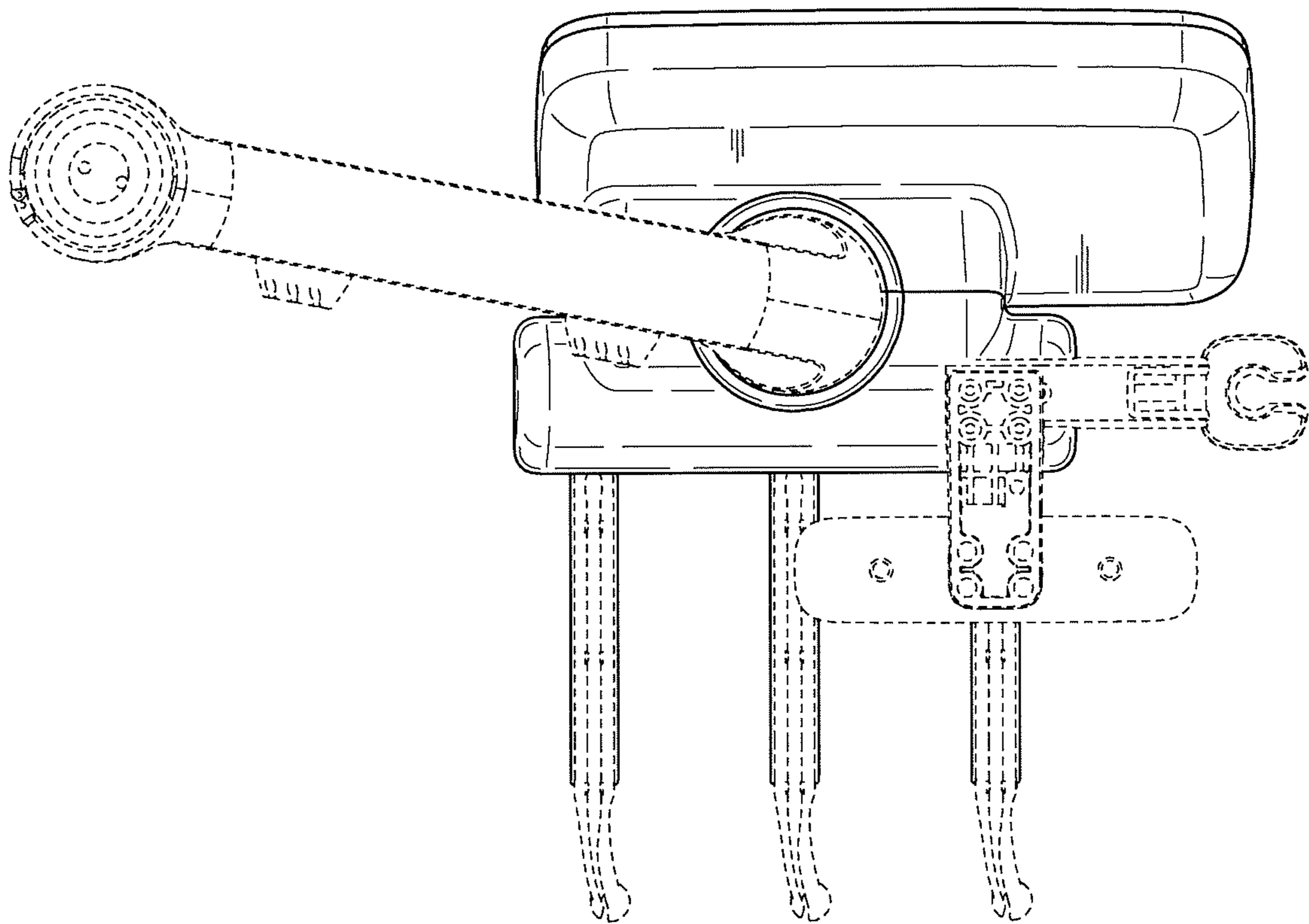


FIG. 8

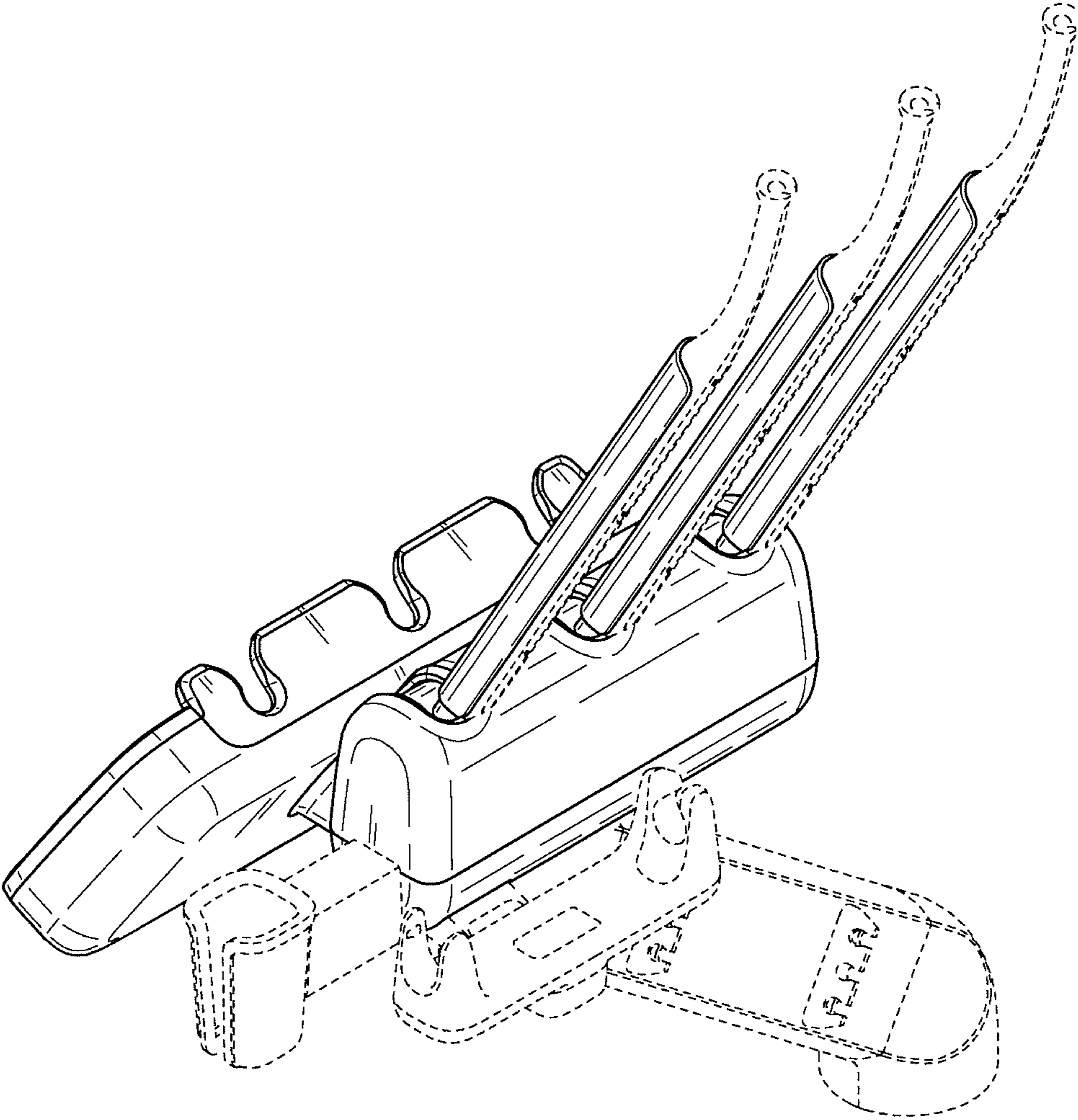


FIG. 9

