



US00D882798S

(12) **United States Design Patent** (10) **Patent No.:** **US D882,798 S**
Hong et al. (45) **Date of Patent:** **** Apr. 28, 2020**

(54) **ULTRASOUND DIAGNOSTIC APPARATUS**

D743,558 S * 11/2015 Kim D24/158
D804,673 S * 12/2017 Shin D24/186
D825,763 S * 8/2018 Lim D24/160
2007/0270694 A1 * 11/2007 Pelissier A61B 8/4405
600/443

(71) Applicant: **Siemens Medical Solutions USA, Inc.**,
Malvern, PA (US)

(72) Inventors: **SunHye Hong**, Gyeonggi-do (KR);
JooYeon Lee, Gyeonggi-do (KR);
JaeHwa Moon, Seoul (KR); **InYoung Yeo**, Seoul (KR)

(73) Assignee: **Siemens Medical Solutions USA, Inc.**,
Malvern, PA (US)

(**) Term: **15 Years**

(21) Appl. No.: **29/628,699**

(22) Filed: **Dec. 6, 2017**

(51) **LOC (12) Cl.** **24-01**

(52) **U.S. Cl.**
USPC **D24/160; D24/186**

(58) **Field of Classification Search**
USPC D24/152, 158, 160, 161, 185, 186, 187,
D24/231; D14/315, 318
CPC ... A61B 6/4405; A61B 6/4411; A61B 6/4435;
A61B 6/4441; A61B 6/4447; A61B
8/4405; A61B 8/4411; A61B 8/4427;
A61B 8/462; A61B 8/0437; A61B 8/0883
See application file for complete search history.

(56) **References Cited**

U.S. PATENT DOCUMENTS

6,683,784 B1 1/2004 Bidwell et al.
D662,208 S * 6/2012 Otoha D24/185
D707,359 S * 6/2014 Kim D24/185
D711,539 S * 8/2014 Hunt D24/158
D713,035 S * 9/2014 Kim D24/158
D728,790 S * 5/2015 Kim D24/158
D728,791 S * 5/2015 Ninomiya D24/158

OTHER PUBLICATIONS

“ACUSON NX Ultrasound System” Siemens Medical Solutions
USA, Inc. Ultrasound. pp. 1-7. Aug. 2015.
“ACUSON X150 Ultrasound System Quick Reference Guide—
General System Overview”—Siemens Medical Solutions USA, Inc.
pp. 1-5. Jun. 2010.

(Continued)

Primary Examiner — Anhdao Doan

(57) **CLAIM**

The ornamental design for an ultrasound diagnostic appa-
ratus, as shown and described.

DESCRIPTION

FIG. 1 is a top, front, and left side perspective view showing
an embodiment of our new design for an ultrasound diag-
nostic apparatus.

FIG. 2 is a front view of the ultrasound diagnostic apparatus
of FIG. 1.

FIG. 3 is a left side view of the ultrasound diagnostic
apparatus of FIG. 1.

FIG. 4 is a rear view of the ultrasound diagnostic apparatus
of FIG. 1.

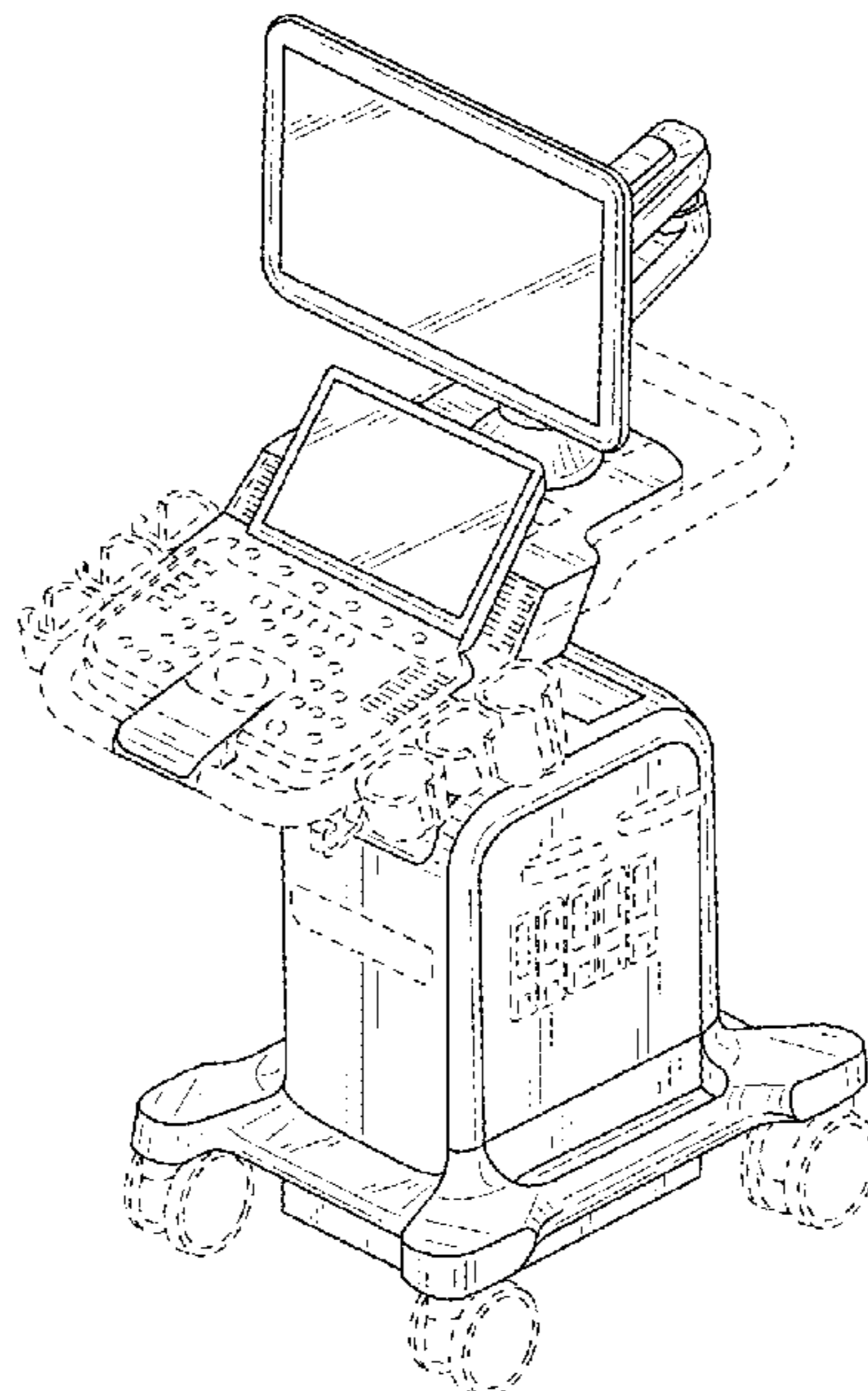
FIG. 5 is a right side view of the ultrasound diagnostic
apparatus of FIG. 1.

FIG. 6 is a top view of the ultrasound diagnostic apparatus
of FIG. 1; and,

FIG. 7 is a bottom view of the ultrasound diagnostic
apparatus of FIG. 1.

The broken lines illustrate portions of the ultrasound diag-
nostic apparatus that form no part of the claimed design.

1 Claim, 3 Drawing Sheets



(56)

References Cited

OTHER PUBLICATIONS

“Exceptional Value ACUSON S1000 Ultrasound System” Siemens Medical Solutions USA, Inc. 2015.

“F37 Practical and Powerful Ultrasound” Hitachi Aloka Medical America, Inc. pp. 1-12. 2017.

“LOGIQ C5 TruScan Imaging Technology” General Electric Company. pp. 1-11. 2008.

“Philips HD11 XE Ultrasound System” Philips Healthcare Global Information Center. pp. 1-12. 2008.

“Scan Smarter ACUSON NX3 Series” Siemens Medical Solutions USA, Inc. pp. 1-16. 2015.

“Voluson E8” General Electric Company. pp. 1-8. 2017.

* cited by examiner

FIG. 1

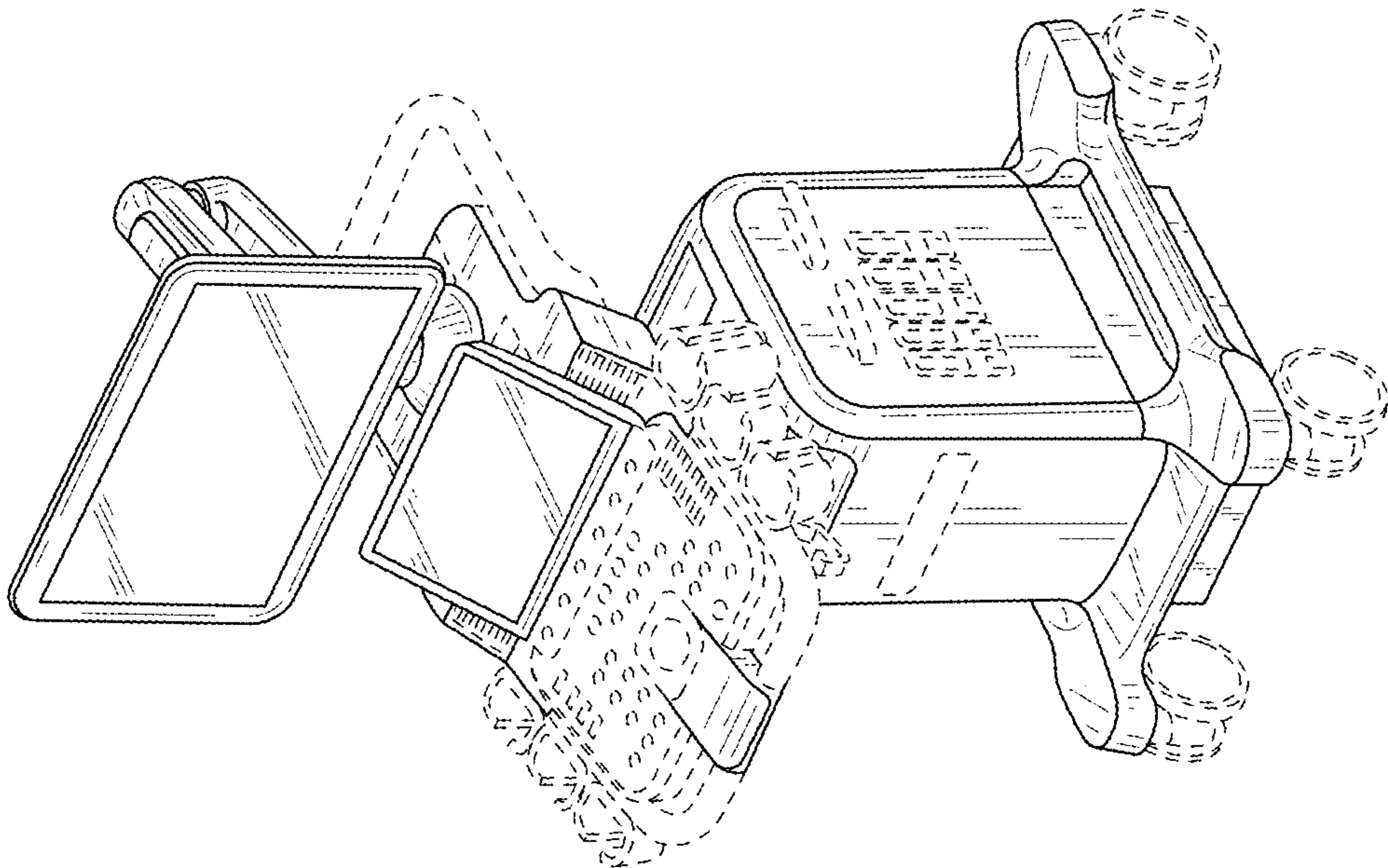


FIG. 2

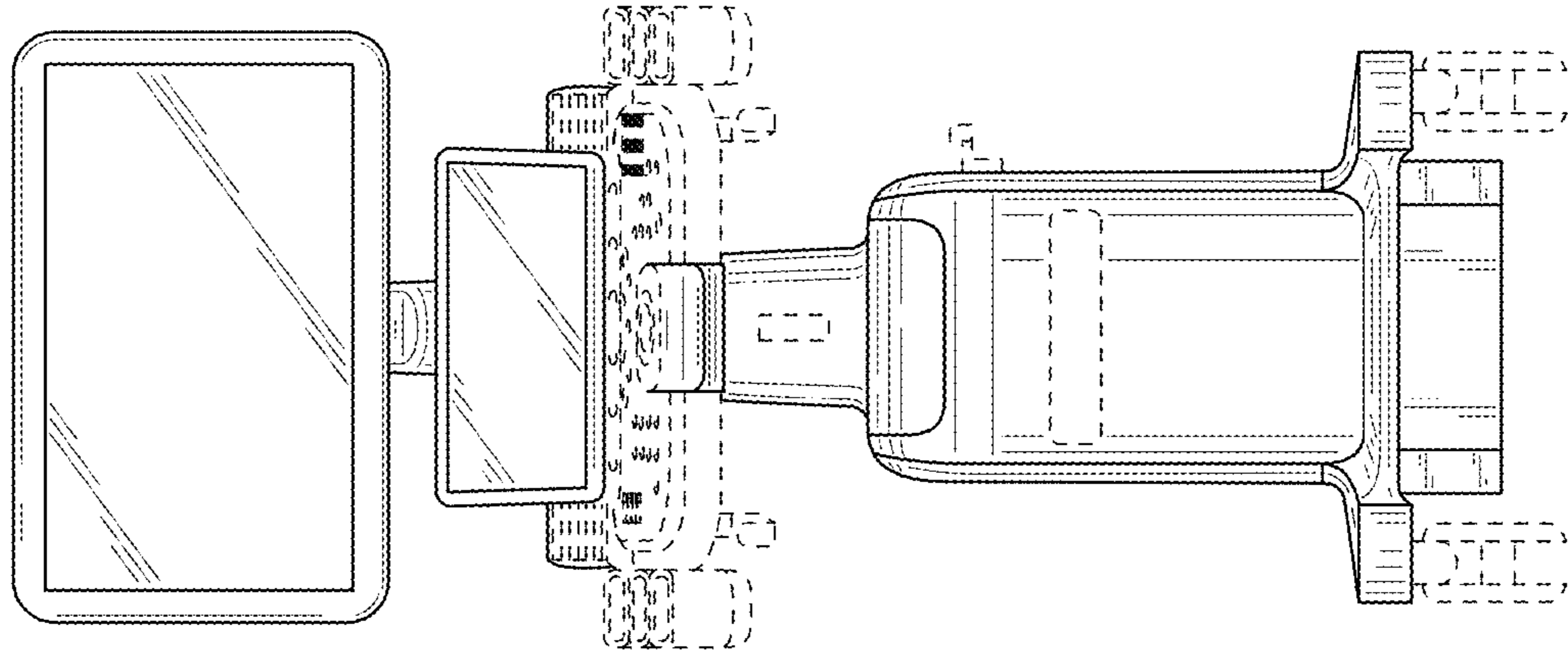


FIG. 3

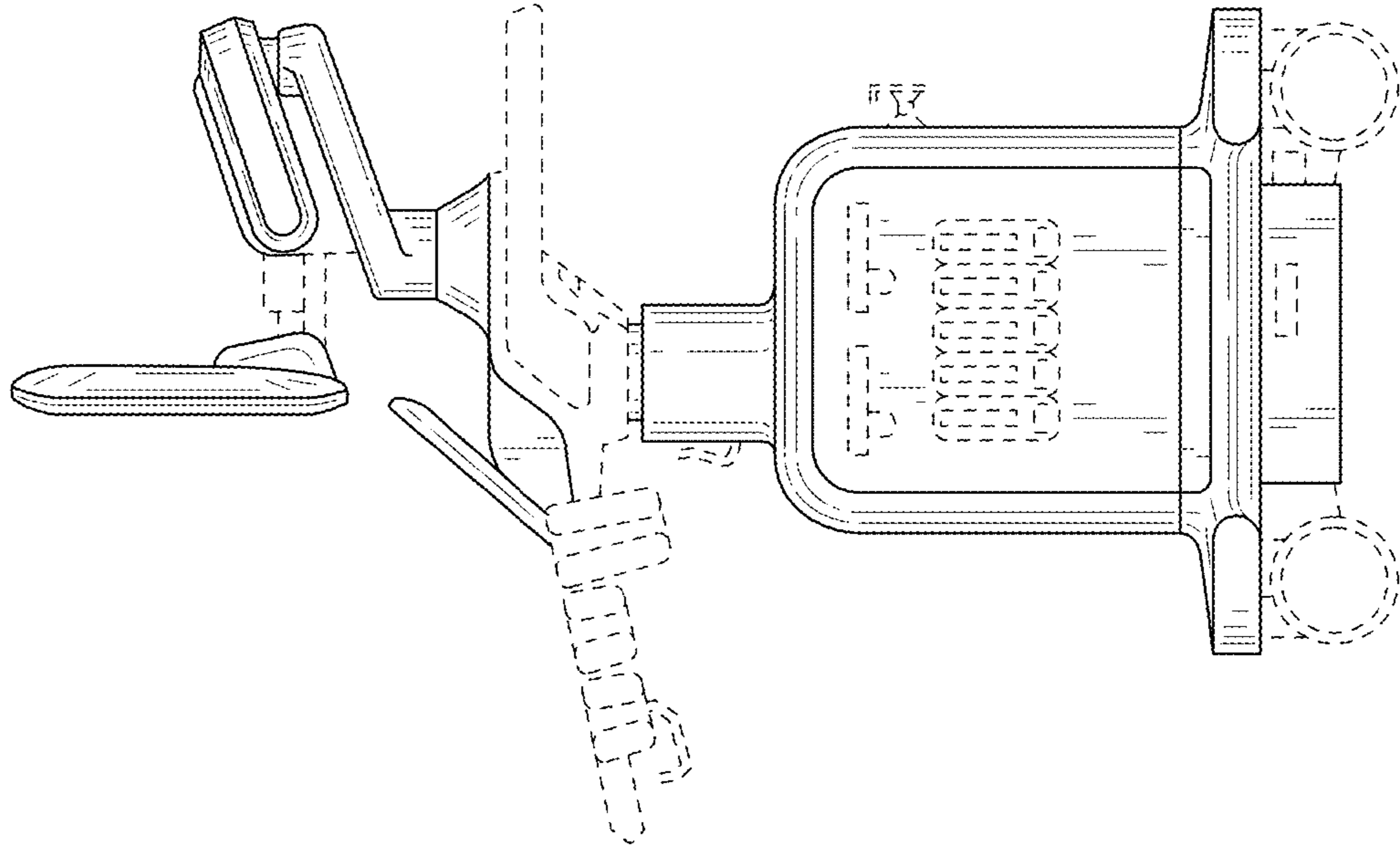


FIG. 4

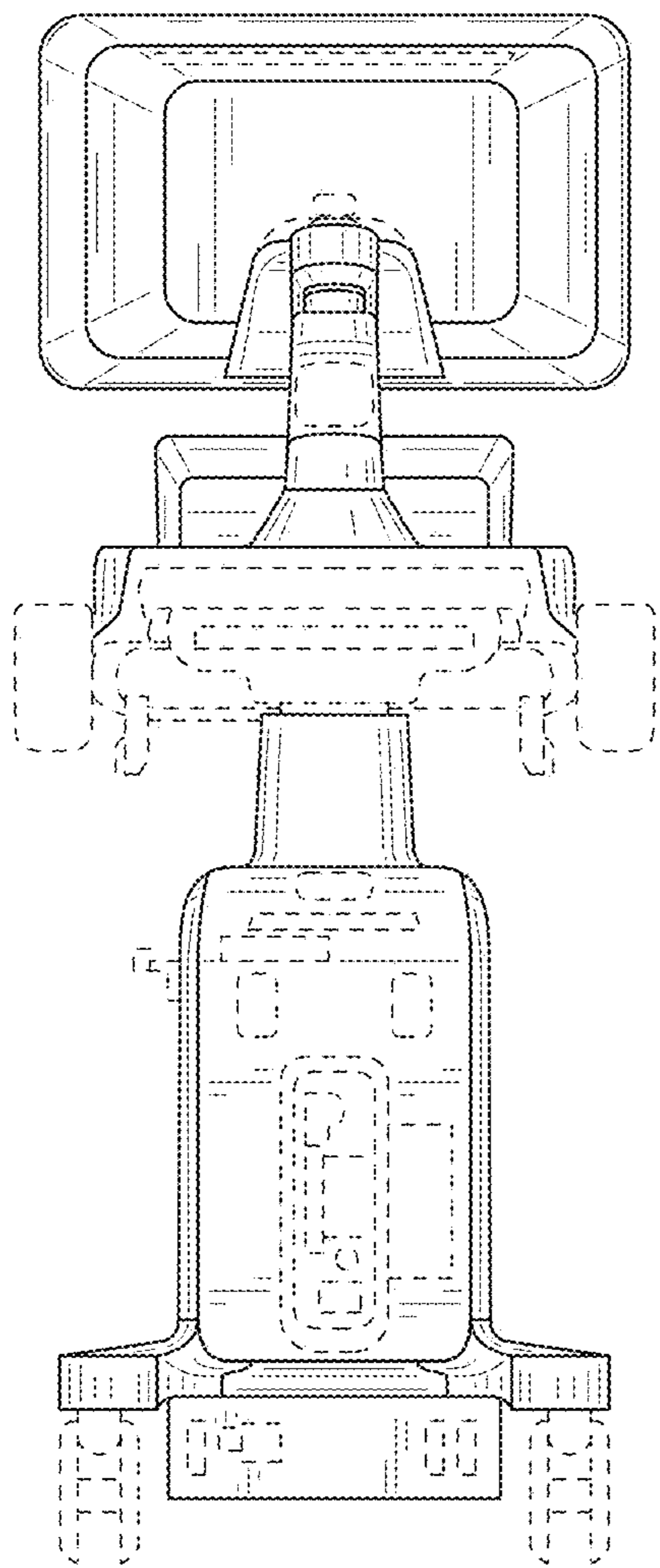


FIG. 5

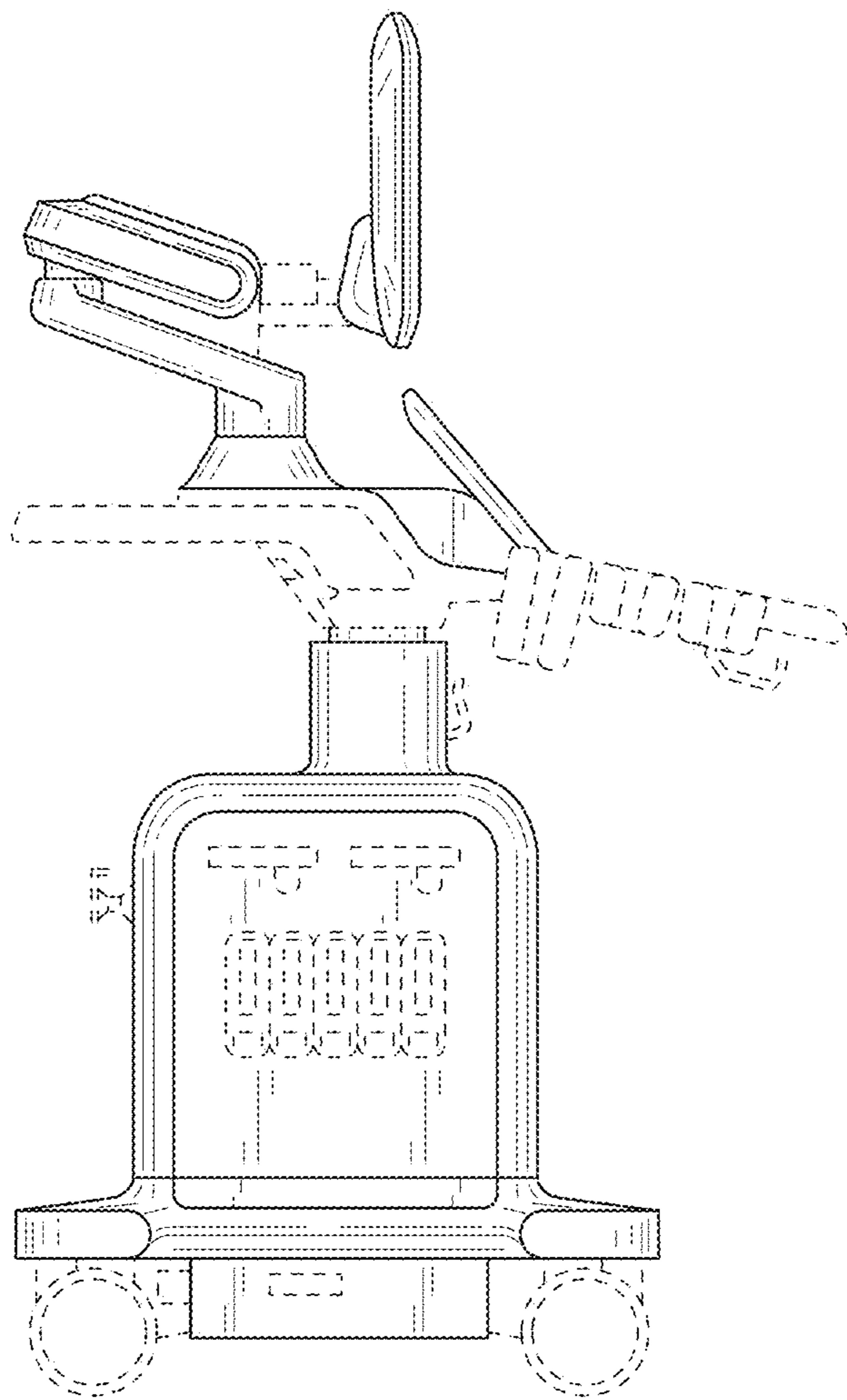


FIG. 6

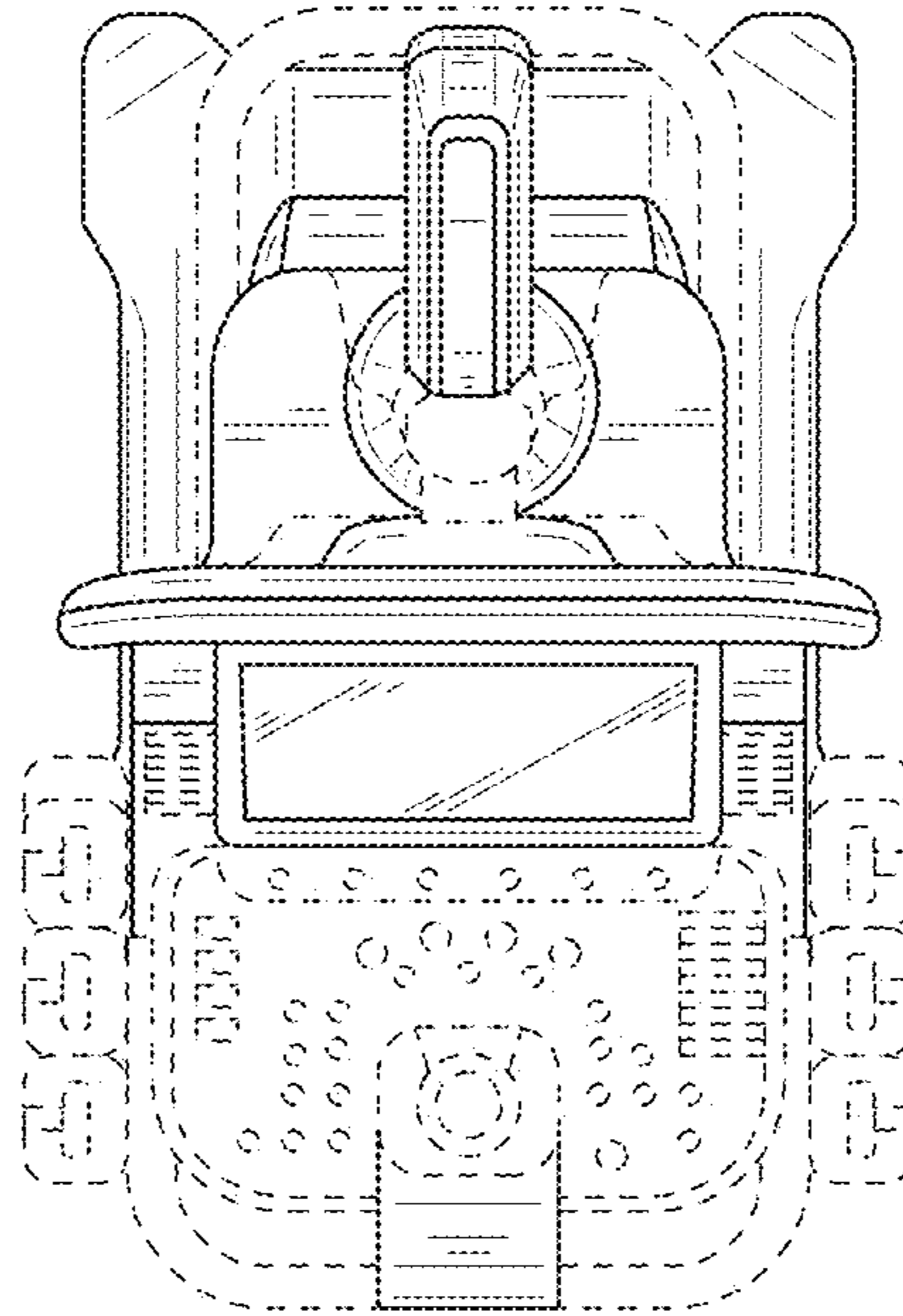


FIG. 7

