



US00D882795S

(12) **United States Design Patent**
Wait et al.

(10) **Patent No.:** **US D882,795 S**
(45) **Date of Patent:** **** Apr. 28, 2020**

- (54) **INOCULATOR MARKER**
- (71) Applicant: **Mark L. Anderson**, Spring Valley, WI (US)
- (72) Inventors: **Jim Wait**, Spring Valley, WI (US);
Mark L. Anderson, Spring Valley, WI (US)
- (73) Assignee: **Mark L. Anderson**, Spring Valley, WI (US)

D575,402 S *	8/2008	Sandor	D24/146
D584,320 S *	1/2009	Huang	D15/7
7,534,107 B2 *	5/2009	Bardsley	G09B 23/285 434/268
D627,885 S *	11/2010	Brannon	D24/146
D744,649 S *	12/2015	Brannon	D24/146
D768,725 S *	10/2016	Anderson	D15/7
D785,161 S *	4/2017	Dravitzki	D24/110.4
D791,321 S *	7/2017	Wittner	D24/146
D799,039 S *	10/2017	Nagele	D24/146
D838,750 S *	1/2019	Wang	D15/7
D861,855 S *	10/2019	Cegla	D24/110
D866,604 S *	11/2019	Wait	D15/7

(**) Term: **15 Years**

(21) Appl. No.: **29/646,654**

(22) Filed: **May 7, 2018**

(51) **LOC (12) Cl.** **24-02**

(52) **U.S. Cl.**
USPC **D24/146; D15/7**

(58) **Field of Classification Search**
USPC D24/105, 108, 111, 112, 113, 114, 127,
D24/130, 133, 141, 146, 147, 176;
D15/7, 8, 9; D23/231, 232, 233;
417/234, 265, 321, 359, 405, 410.1,
417/415-416

CPC F21V 33/00; F04B 53/00; F04B 53/22;
F04B 9/14; C12M 23/08; C12M 33/02;
C12M 33/04; G09B 23/285; G09B 23/34

See application file for complete search history.

(56) **References Cited**

U.S. PATENT DOCUMENTS

D324,868 S *	3/1992	Jacobs	D15/7
D535,748 S *	1/2007	Wolf	D24/133

* cited by examiner

Primary Examiner — Samantha Q Lawrence

(74) *Attorney, Agent, or Firm* — Skinner and Associates;
Joel Skinner

(57) **CLAIM**

The ornamental design for an inoculator marker, as shown and described.

DESCRIPTION

FIG. 1 is a perspective view of an inoculator marker showing the design of the invention.

FIG. 2 is a side view thereof.

FIG. 3 is an end view thereof.

FIG. 4 is a top view thereof.

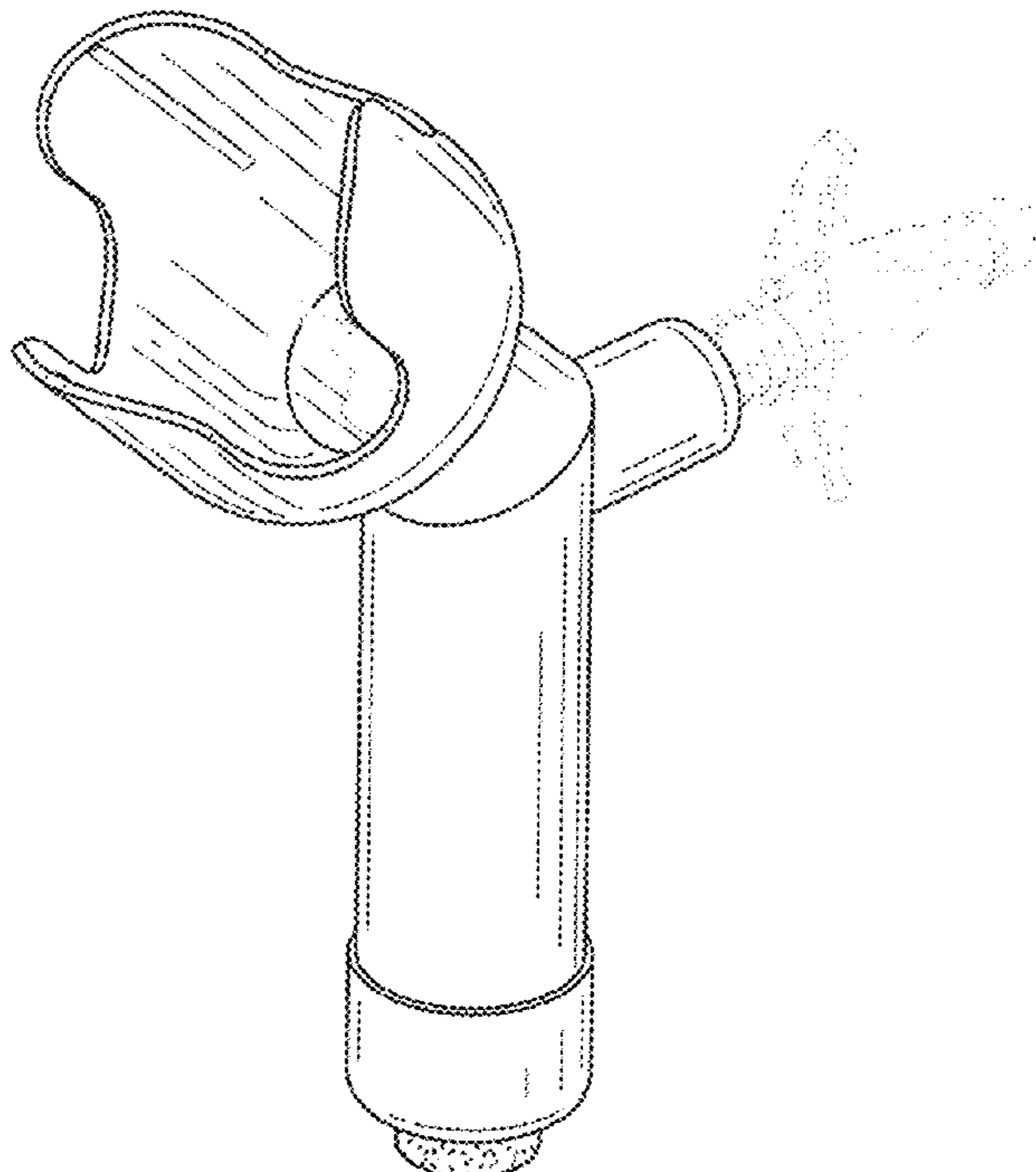
FIG. 5 is an opposite side view thereof.

FIG. 6 is an opposite end view thereof; and,

FIG. 7 is a bottom view thereof.

The broken lines shown in FIGS. 1-2 and FIGS. 4-7 illustrate portions of the inoculator marker and form no part of the claimed design.

1 Claim, 7 Drawing Sheets



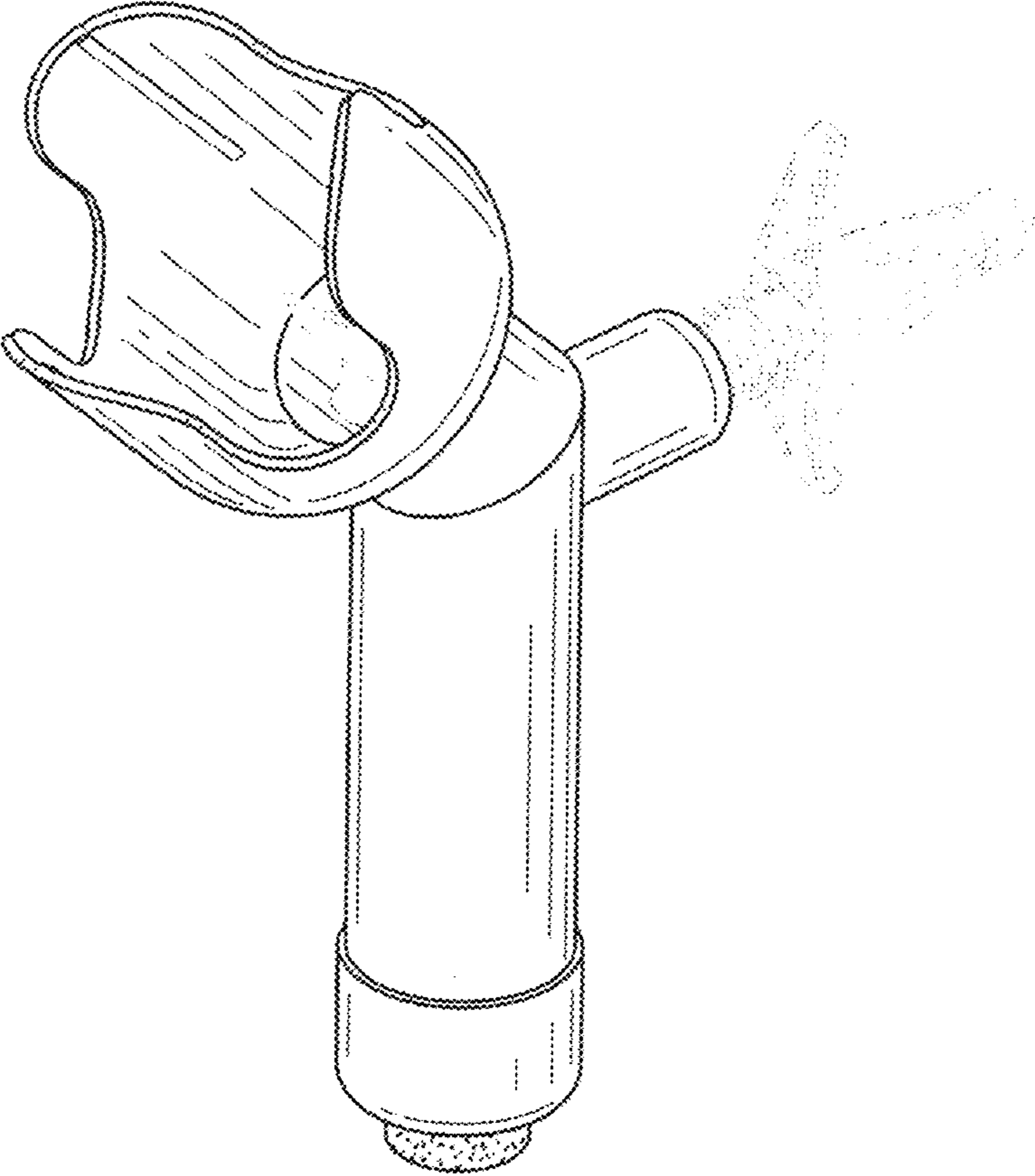


FIG. 1

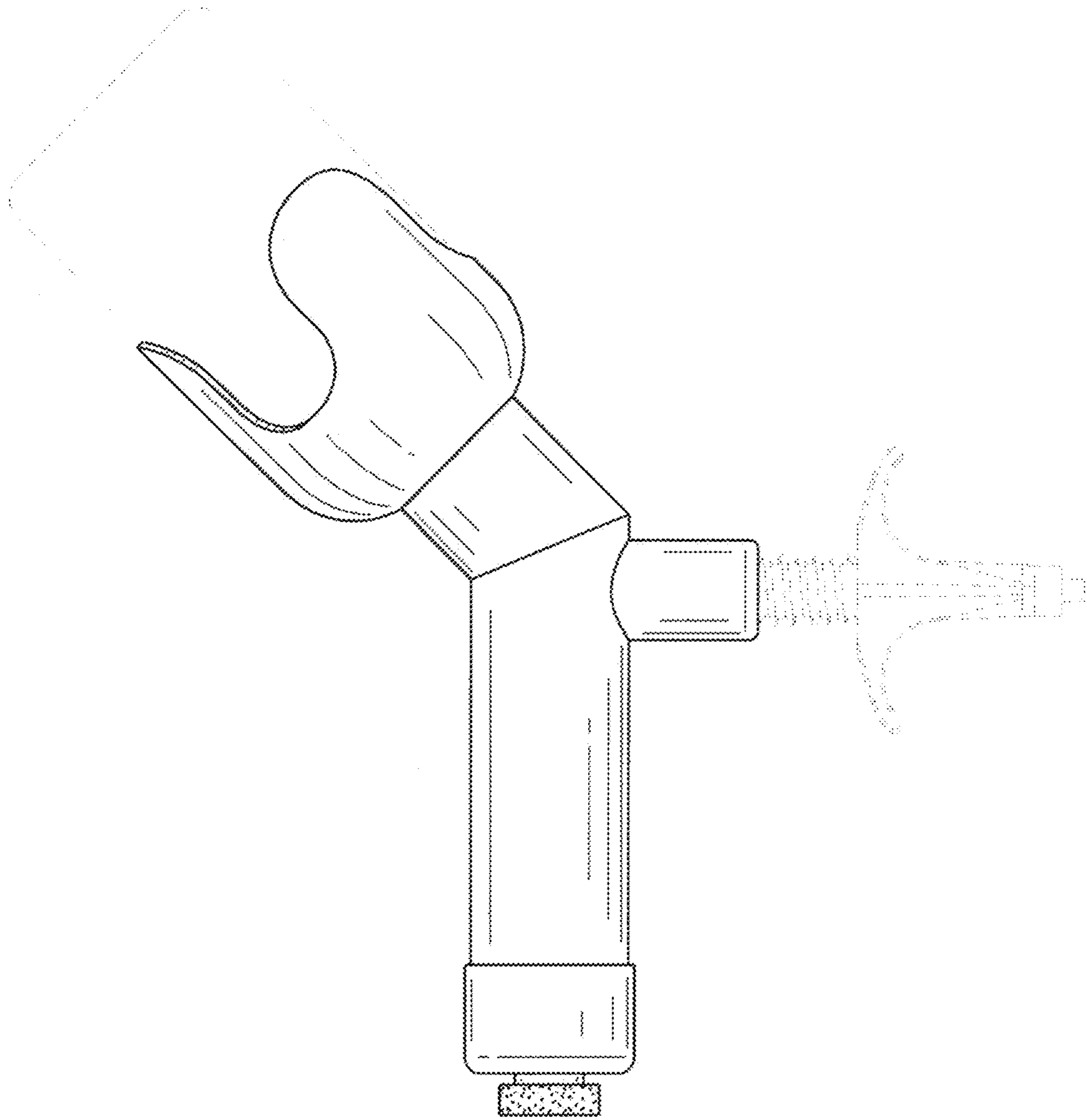


FIG. 2

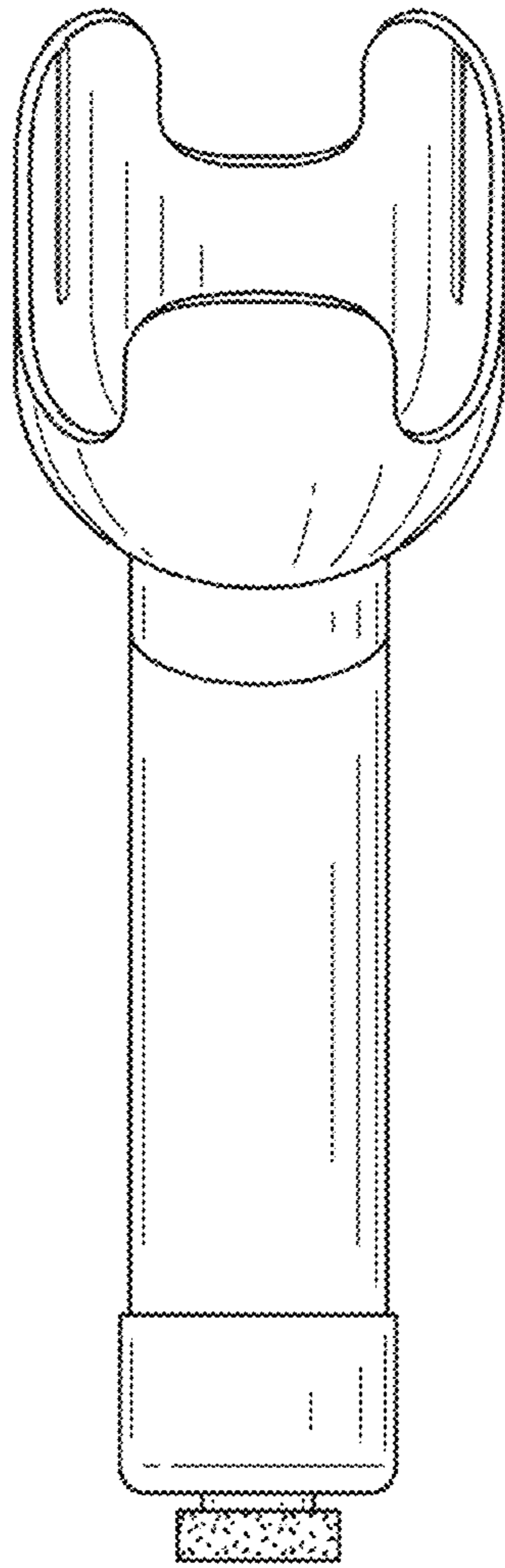


FIG. 3

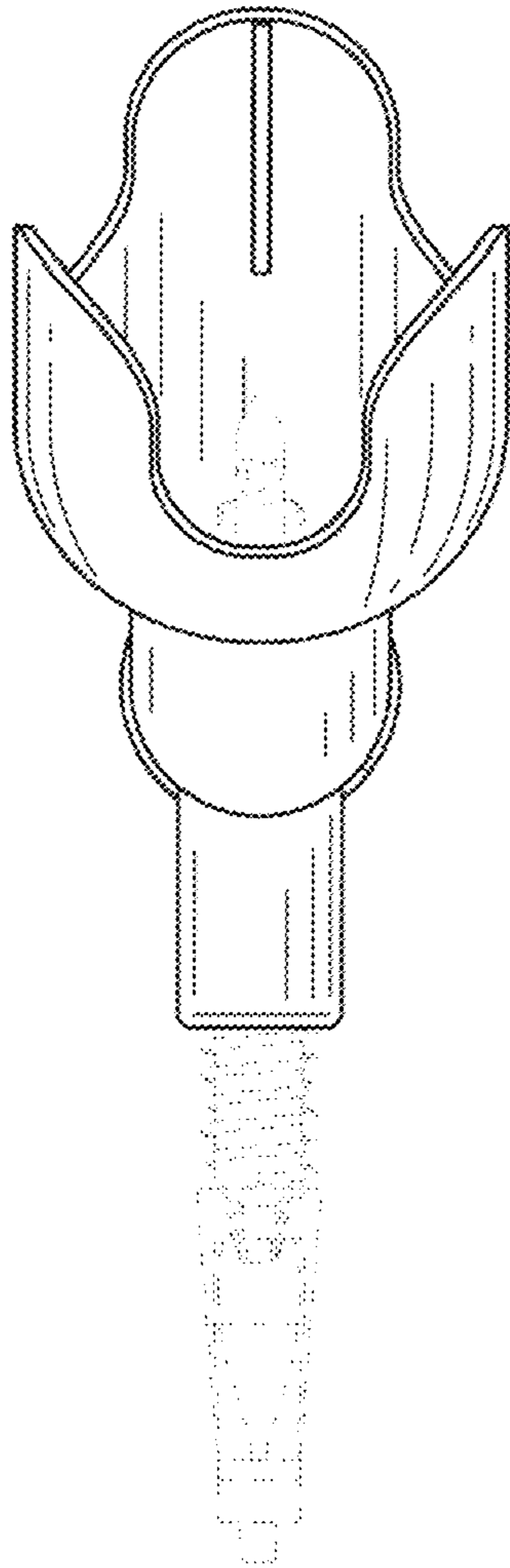


FIG. 4

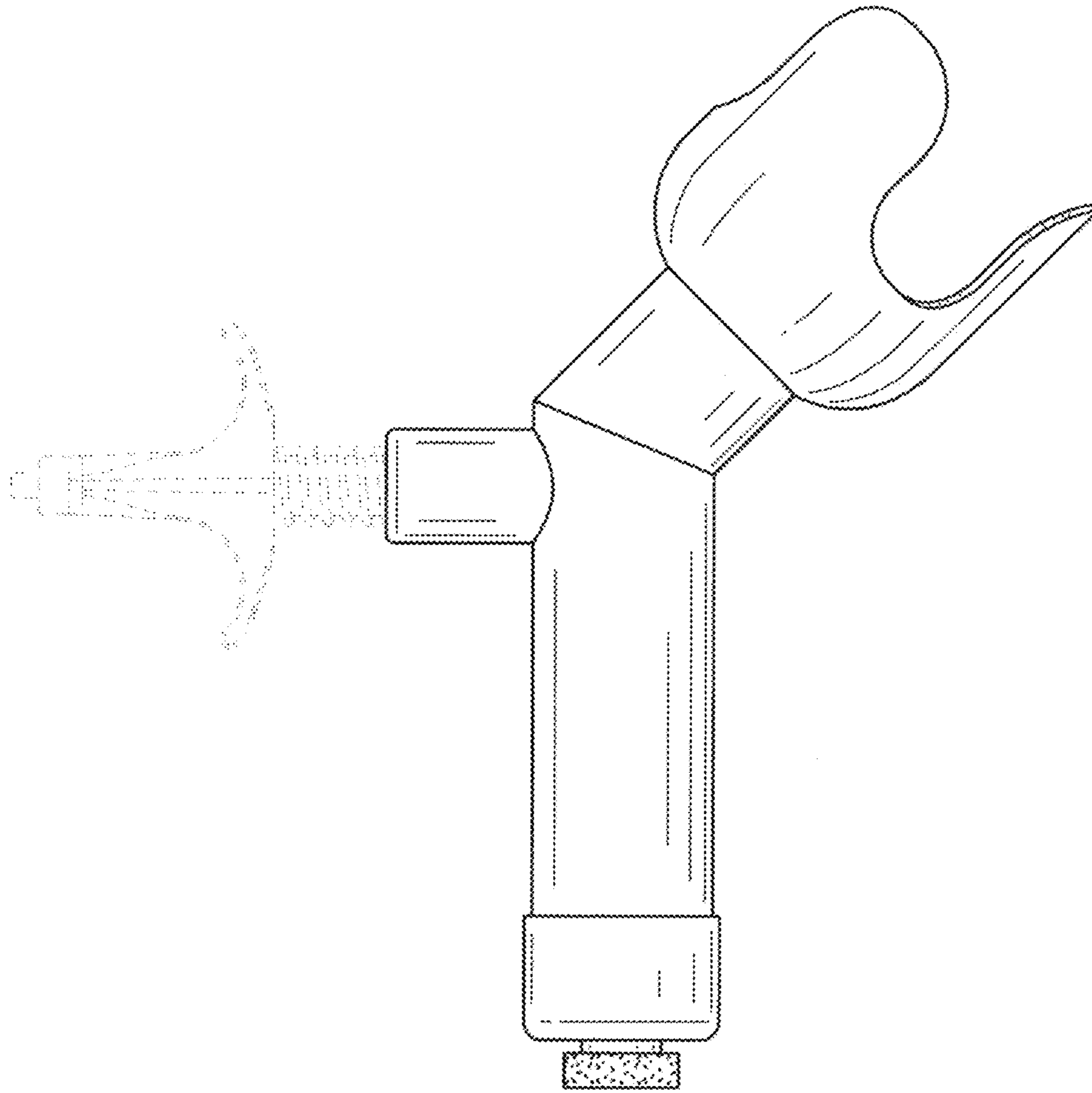


FIG. 5

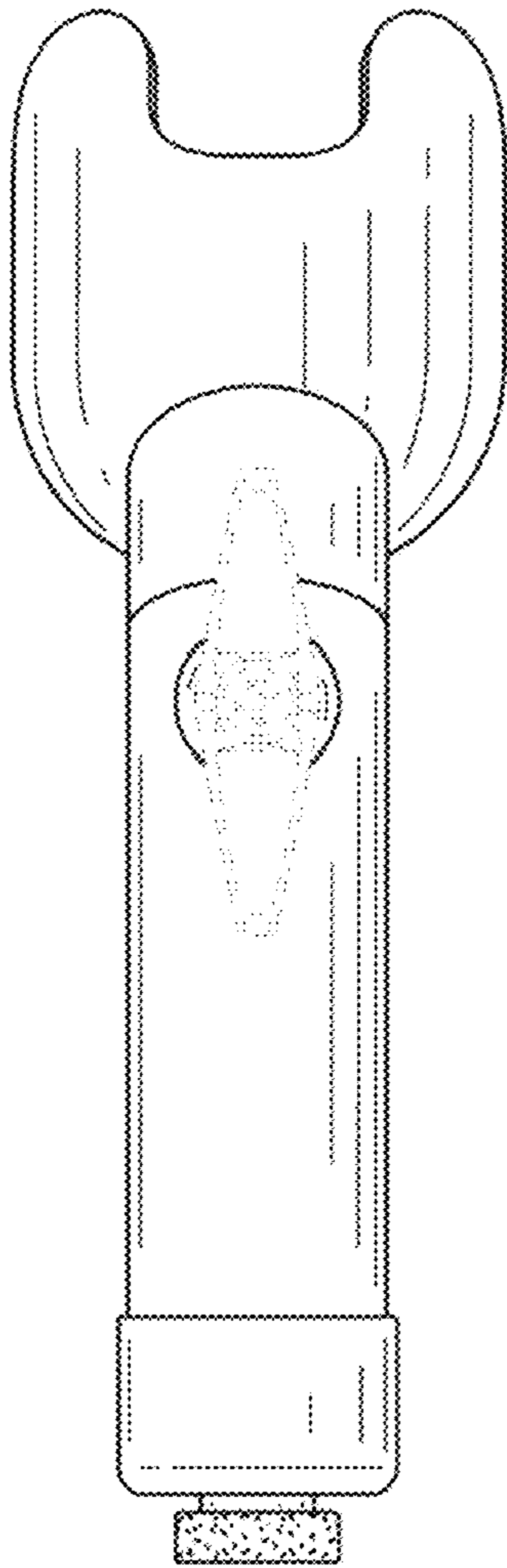


FIG. 6

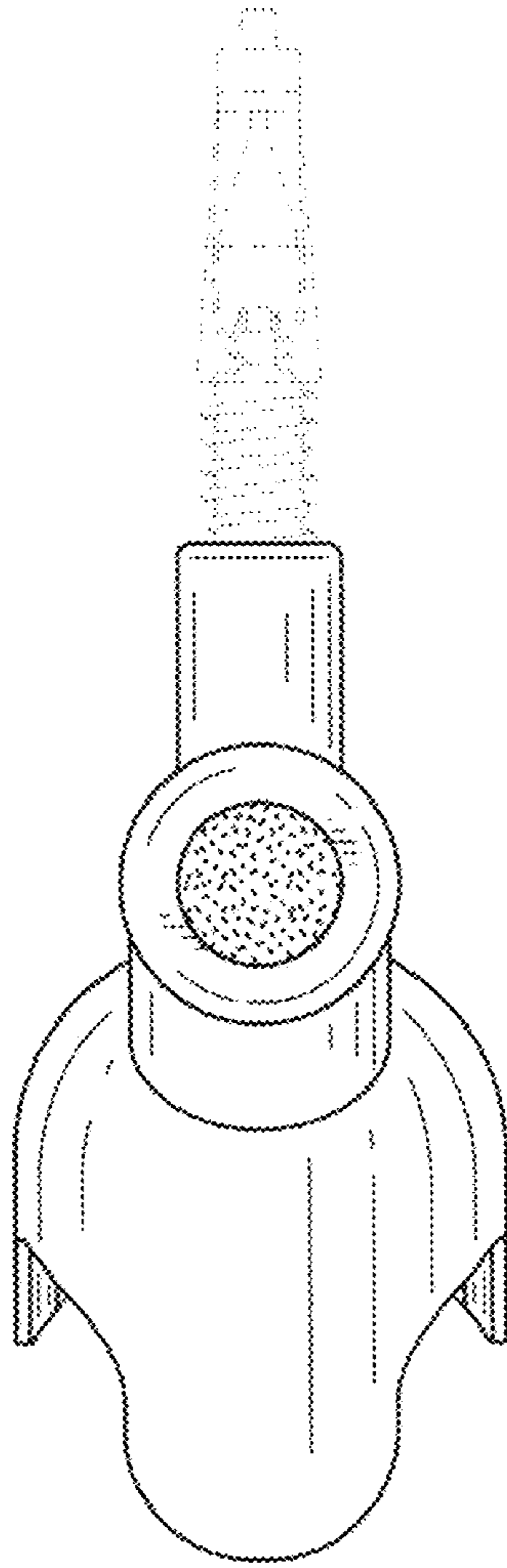


FIG. 7