



US00D882792S

(12) **United States Design Patent** (10) **Patent No.:** **US D882,792 S**
Qun (45) **Date of Patent:** **** Apr. 28, 2020**

(54) **ULTRASONIC CUTTER HEAD WITH SLOTTING UMBRELLA**
(71) Applicant: **BEIJING SMTP TECHNOLOGY CO., LTD.**, Beijing (CN)
(72) Inventor: **Cao Qun**, Beijing (CN)
(73) Assignee: **BEIJING SMTP TECHNOLOGY CO., LTD.**, Beijing (CN)
(**) Term: **15 Years**
(21) Appl. No.: **29/635,584**
(22) Filed: **Jan. 31, 2018**
(51) **LOC (12) Cl.** **24-02**
(52) **U.S. Cl.**
USPC **D24/146**
(58) **Field of Classification Search**
USPC D24/108, 133, 150, 152, 155, 176, 210, D24/231, 216, 232, 185, 186, 104, D24/112-114, 117-119, 127, 141, 144, D24/188, 207, 200, 209, 215; D15/21, D15/22, 23, 24, 25, 26, 27, 28, 29, 138, D15/139, 140; D8/70; D25/126; D28/7, D28/9, 20
CPC B23B 51/02; B23B 51/08; B23B 51/10; B23B 51/00; B23B 2251/50; B23B 2251/18; B23B 2251/46; B23B 2222/28; B23B 2240/08; Y10S 408/713; Y10T 407/26; Y10T 408/9097; Y10T 408/899; Y10T 408/90; A61C 3/02; A61C 8/0089; A61C 1/07; A61B 17/3213; A61B 17/3417; A61B 17/14; A61B 17/142; A61B 17/320016; A61B 17/32002; A61B 17/3211; A61B 2017/00473; A61B 2017/320032; A61B 2017/32113; A61B 2017/32116; A61B 2017/3454; A61B 2018/1412; A61B 90/30; A61B 17/144; A61B 17/1615; A61B 17/162; A61B 17/1624; A61B 17/1633; A61B 17/1637; A61B 17/1659; A61B 17/16; A61B
(Continued)

(56) **References Cited**
U.S. PATENT DOCUMENTS
41,517 A * 2/1864 Low B23B 51/02 408/230
1,387,994 A * 8/1921 Lewis B23B 51/08 408/224

(Continued)

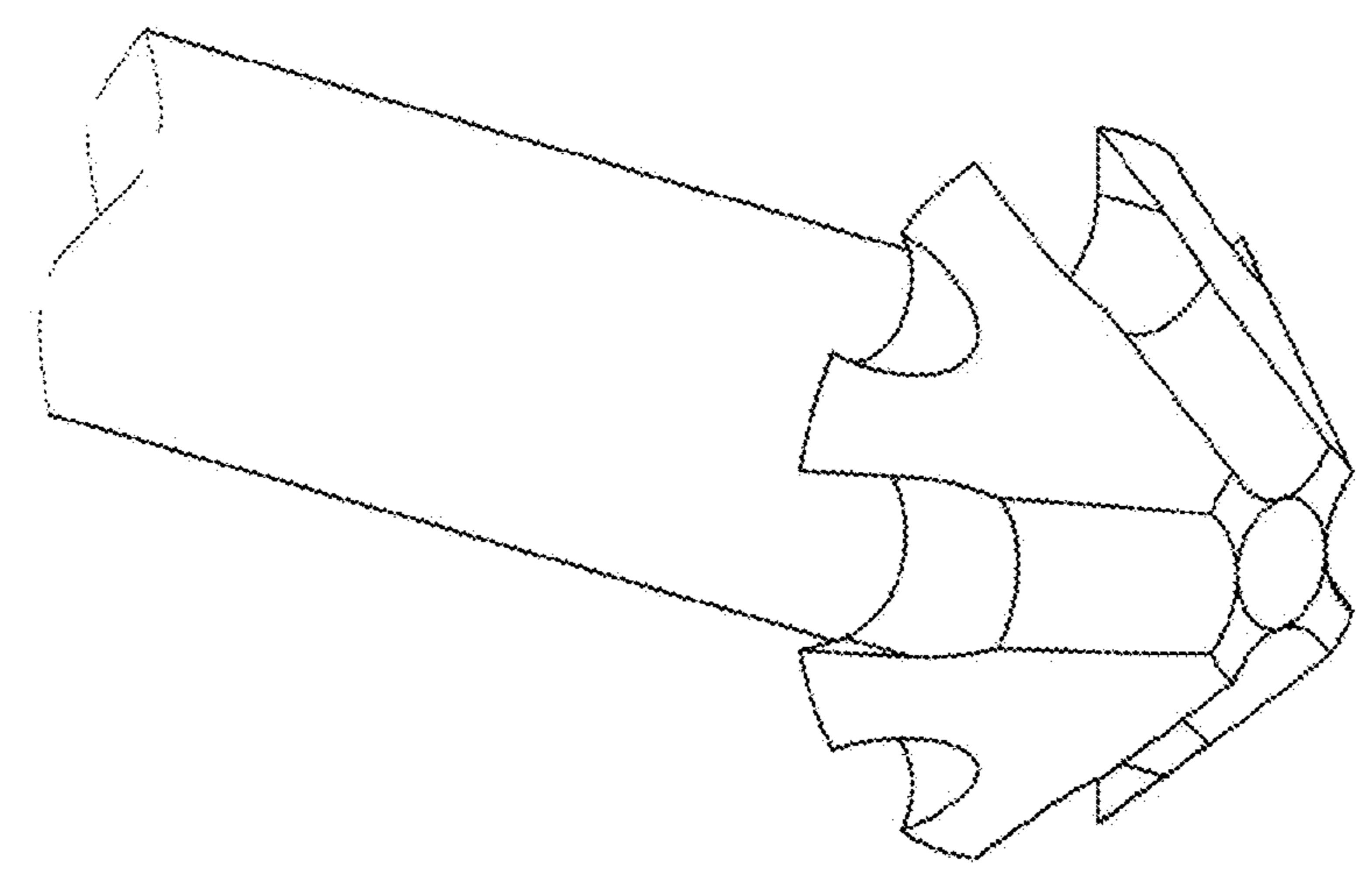
OTHER PUBLICATIONS
“Enhancing Oral Implantology with Power Ultrasonics” <https://ieeexplore.ieee.org/stamp/stamp.jsp?arnumber=5585475> Sep. 2010 (Year: 2010).*

Primary Examiner — Samantha Q Lawrence
(74) *Attorney, Agent, or Firm* — Maschoff Brennan

(57) **CLAIM**
The ornamental design for an ultrasonic cutter head with slotting umbrella, as shown and described.

DESCRIPTION
FIG. 1 is a top, front, and left side perspective view of an ultrasonic cutter head with slotting umbrella, showing our new design;
FIG. 2 is a top plan view thereof;
FIG. 3 is a left side view thereof;
FIG. 4 is a right side view thereof;
FIG. 5 is a bottom plan view thereof;
FIG. 6 is a front elevational view thereof;
FIG. 7 is a rear elevational view thereof; and,
FIG. 8 is a full view thereof.
The broken lines shown in FIGS. 1-5 and FIGS. 7-8 atop the cylinder illustrate boundaries of the ultrasonic cutter head with slotting umbrella. The additional broken lines shown in FIG. 8 illustrate environment and form no part of the claimed design.

1 Claim, 4 Drawing Sheets



(58) **Field of Classification Search**

CPC 17/1604; A61B 2017/00261; A61B
2017/320075; A61B 2017/32007; A61B
2017/320077; A61B 2217/007; B23D
77/02; B23D 61/006; B23D 61/121; B23P
15/32; B27B 19/006

See application file for complete search history.

(56) **References Cited**

U.S. PATENT DOCUMENTS

4,862,976 A * 9/1989 Meek E21B 4/06
175/296
D416,029 S * 11/1999 Cosic D15/139
D496,948 S * 10/2004 Charland D15/139
D547,778 S * 7/2007 Hodges D15/139
D585,994 S * 2/2009 Mulhauser D24/133
D616,094 S * 5/2010 Boone, III D24/133
D701,000 S * 3/2014 DiGirolamo D28/73
D823,908 S * 7/2018 Osterholm D15/139
2016/0107245 A1 * 4/2016 Chang B23C 5/207
408/226
2018/0228577 A1 * 8/2018 Zacharia A61C 1/084
2019/0290290 A1 * 9/2019 Bono A61B 17/32002

* cited by examiner

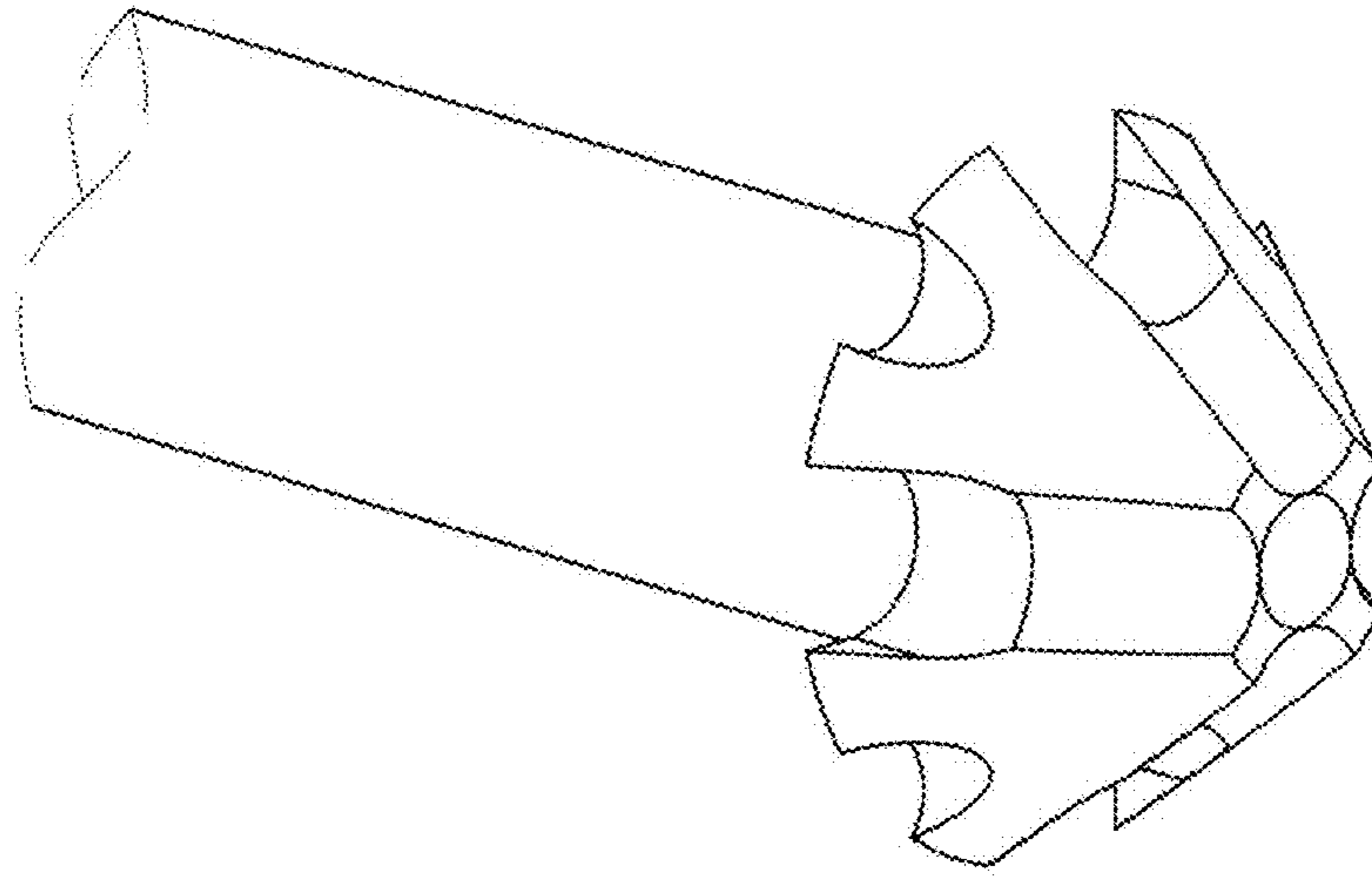


Fig.1

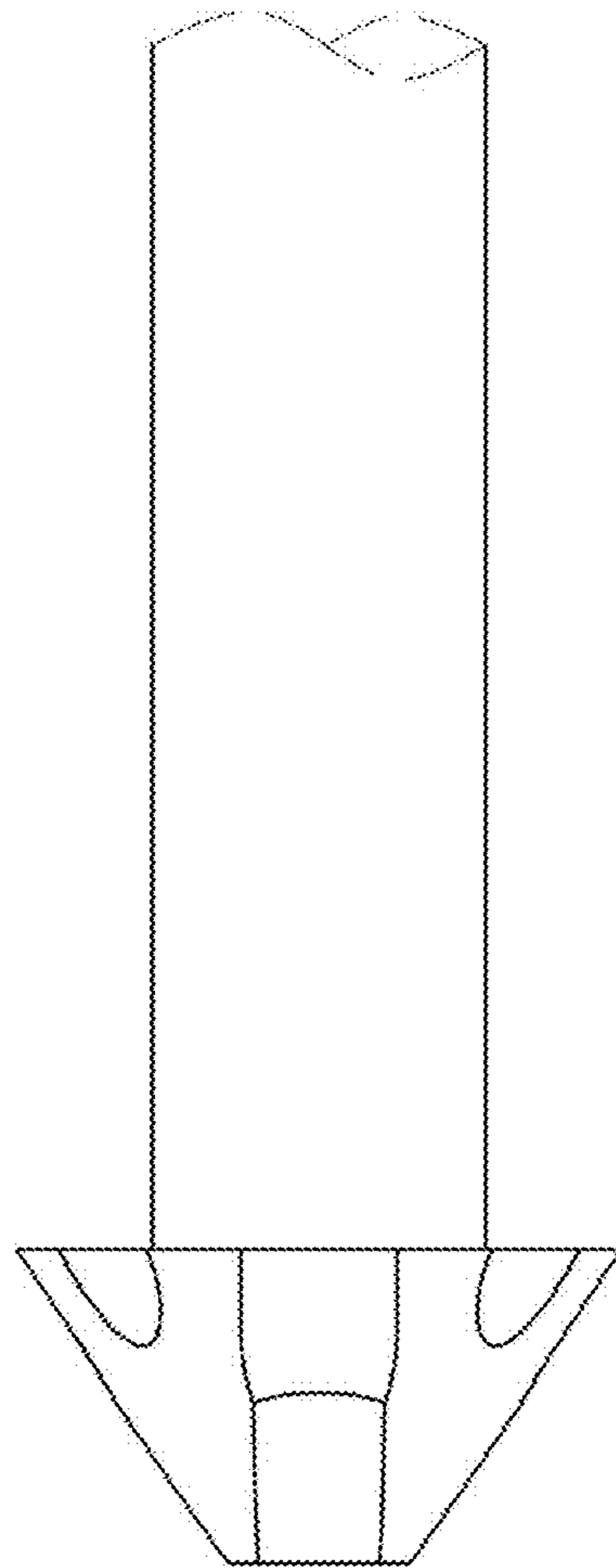


Fig.2

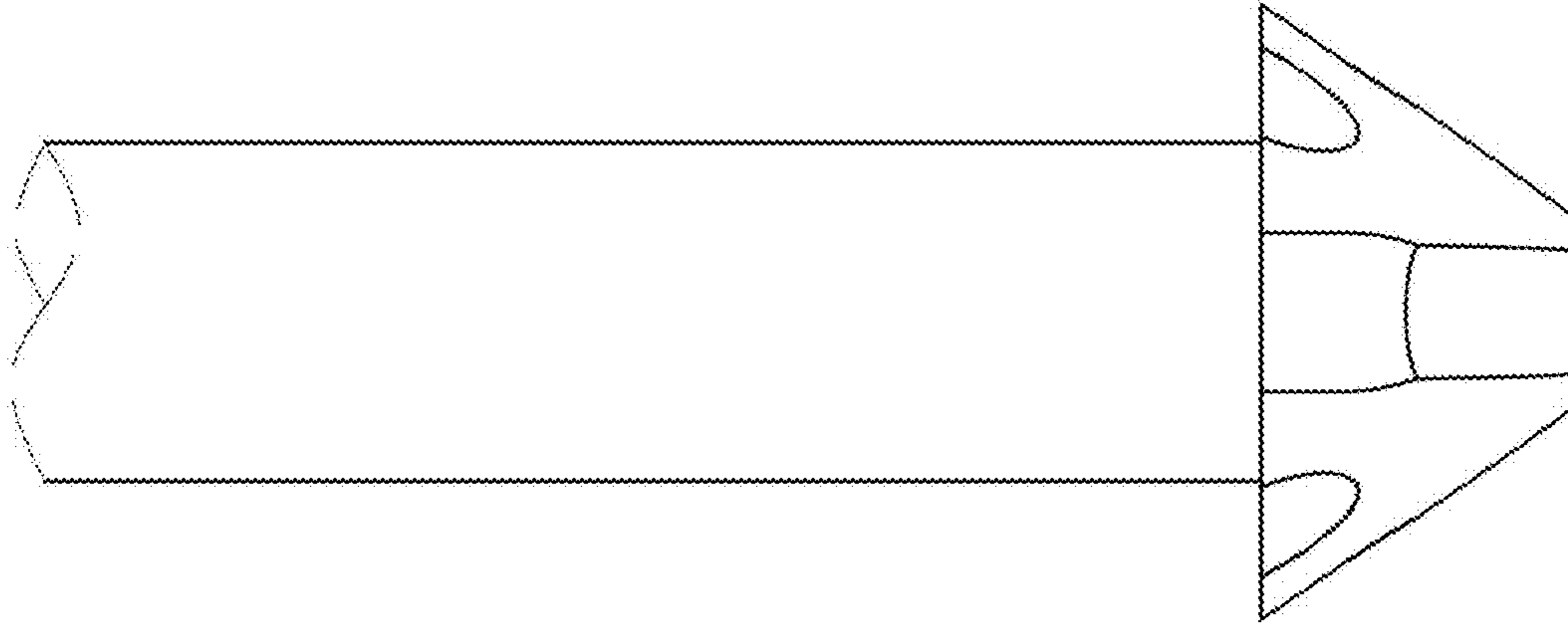


Fig.3

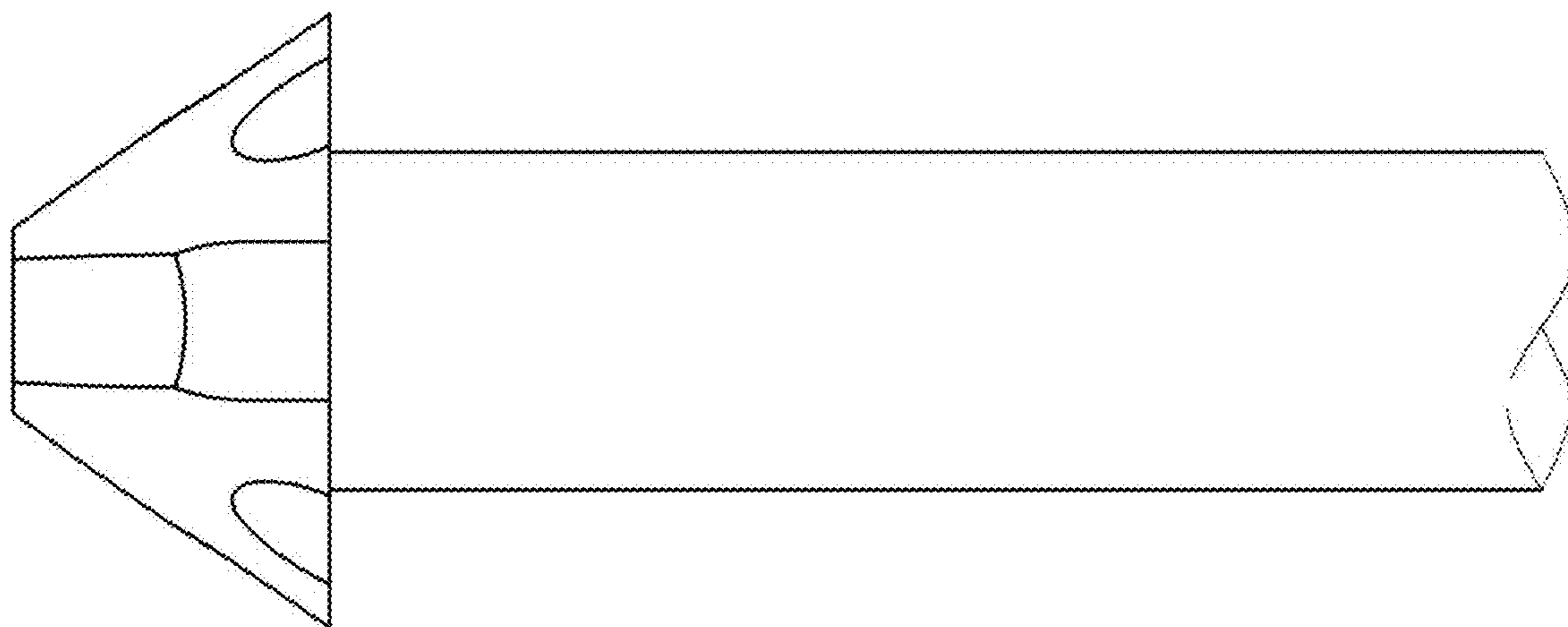


Fig.4

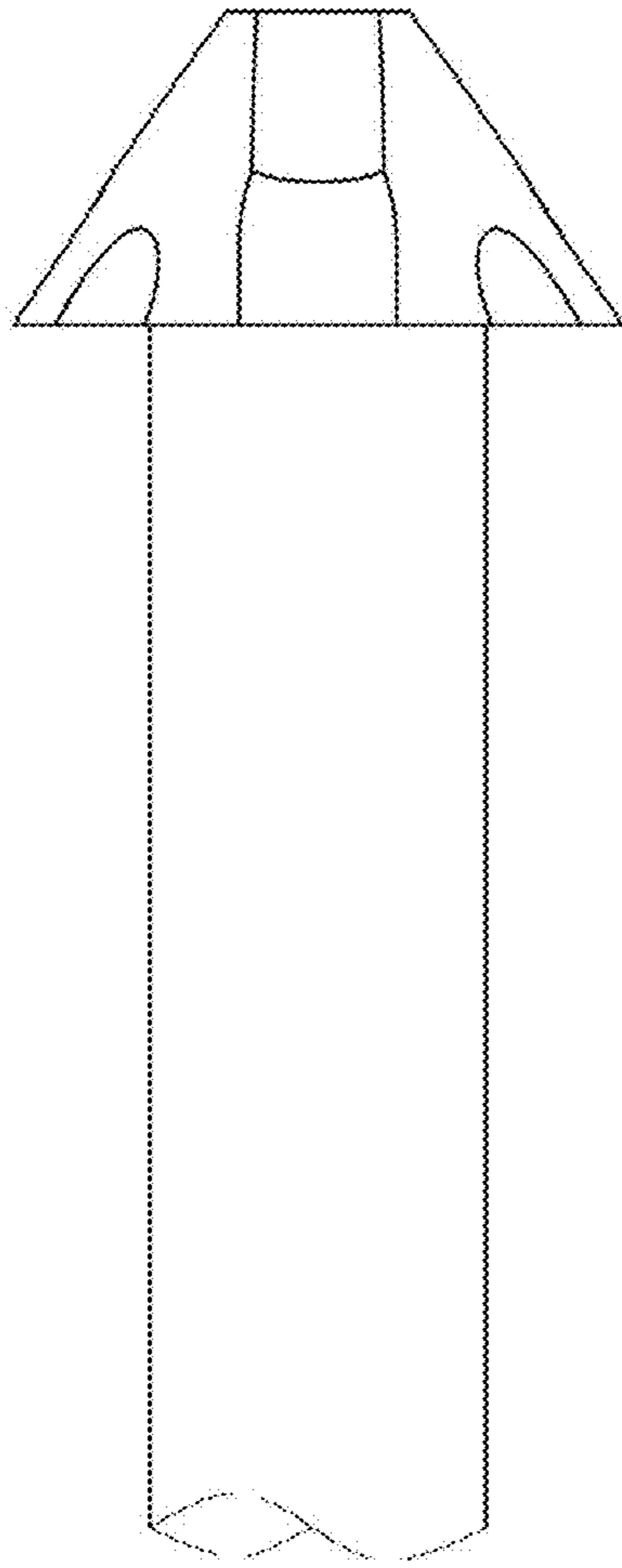


Fig.5

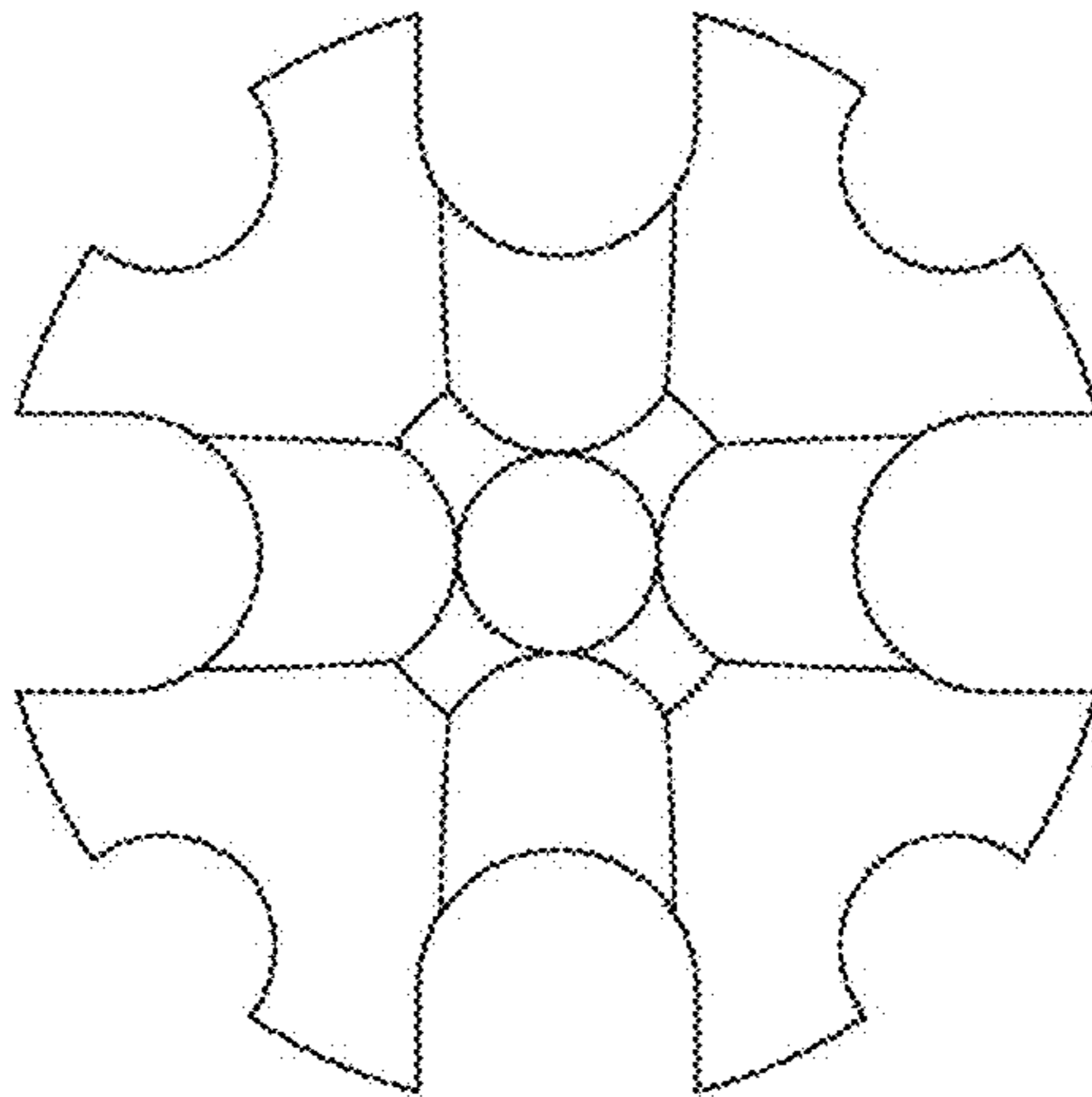


Fig.6

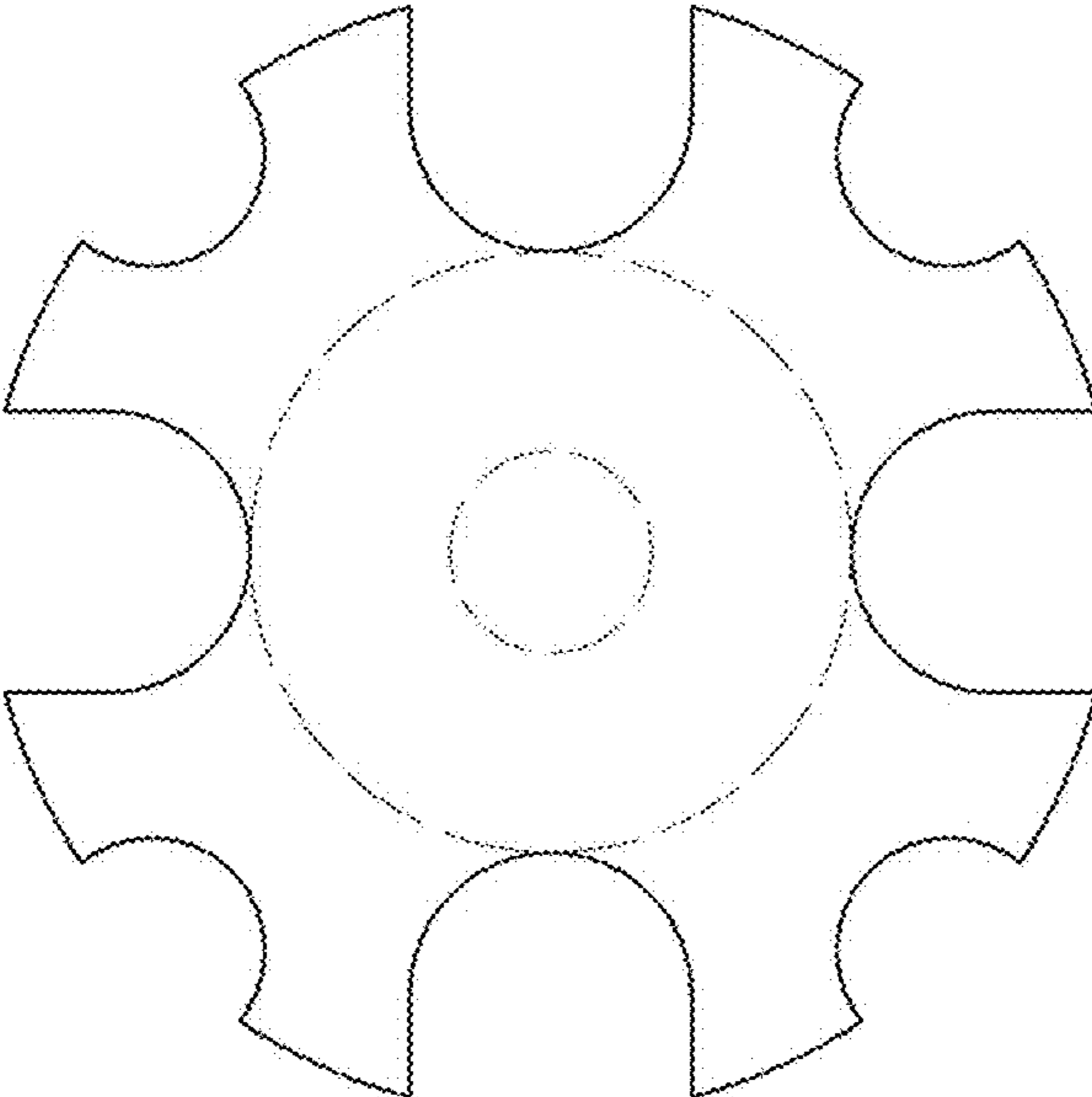


Fig.7

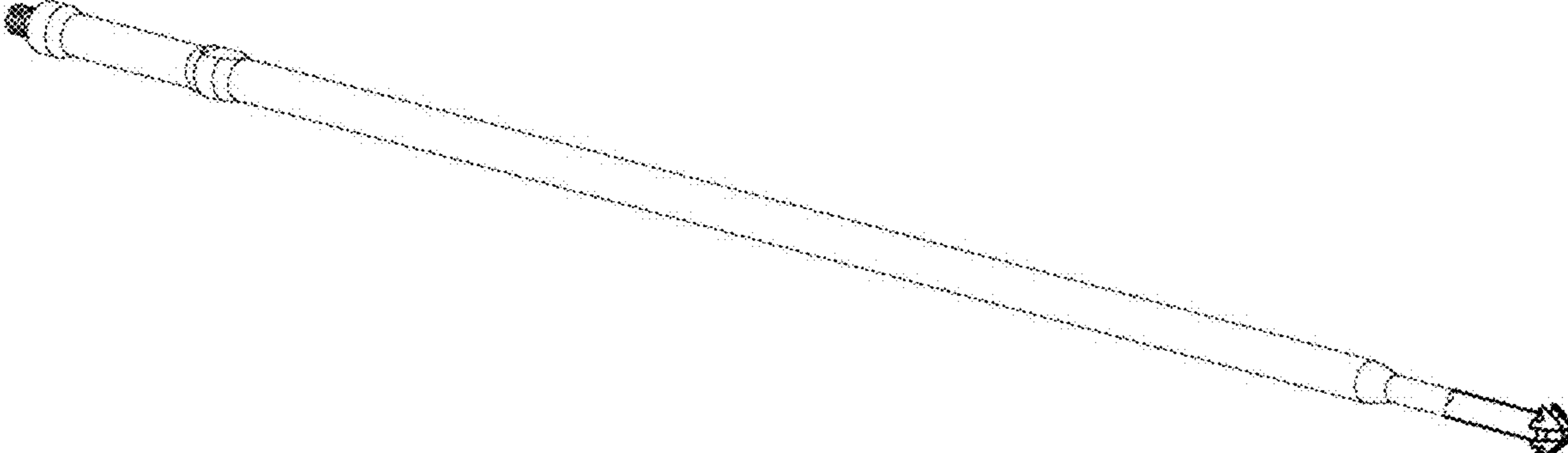


Fig.8