



US00D882791S

(12) **United States Design Patent**  
**Qun**

(10) **Patent No.:** **US D882,791 S**

(45) **Date of Patent:** **\*\* Apr. 28, 2020**

(54) **ULTRASONIC CUTTER HEAD**

(71) Applicant: **BEIJING SMTP TECHNOLOGY CO., LTD.**, Beijing (CN)

(72) Inventor: **Cao Qun**, Beijing (CN)

(73) Assignee: **BEIJING SMTP TECHNOLOGY CO., LTD.**, Beijing (CN)

(\*\*) Term: **15 Years**

(21) Appl. No.: **29/635,581**

(22) Filed: **Jan. 31, 2018**

(51) **LOC (12) Cl.** ..... **24-02**

(52) **U.S. Cl.**  
USPC ..... **D24/146**

(58) **Field of Classification Search**  
USPC ..... D24/108, 133, 150, 152, 155, 176, 210, D24/231, 216, 232, 185, 186, 104, D24/112-114, 117-119, 127, 141, 144, D24/146, 147, 148, 188, 207, 200, 209, D24/215, 171; D15/21, 22, 23, 24, 25, D15/26, 27, 28, 29, 138, 139, 140; D8/70, 95, 96, 98; D25/126; D28/7, 9, D28/20

CPC ..... B23B 51/02; B23B 51/08; B23B 51/10; B23B 51/00; B23B 2251/50; B23B 2251/18; B23B 2251/46; B23B 2222/28; B23B 2240/08; Y10S 408/713; Y10T 407/26; Y10T 408/9097; Y10T 408/899; Y10T 408/90; A61C 3/02; A61C 8/0089; A61C 1/07; A61B 17/3213; A61B 17/3417; A61B 17/14; A61B 17/142; A61B 17/320016; A61B 17/32002; A61B 17/3211; A61B 2017/00473; A61B 2017/320032; A61B 2017/32113; A61B 2017/32116; A61B 2017/3454; A61B 2018/1412; A61B 90/30; A61B 17/144; A61B 17/1615; A61B 17/162; A61B 17/1624; A61B 17/1633; A61B 17/1637;

A61B 17/1659; A61B 17/16; A61B 17/1604; A61B 2017/00261; A61B 2017/320075; A61B 2017/32007; A61B 2017/320077; A61B 2217/007; A61B 17/1642; A61B 17/1671; B23D 77/02; B23D 61/006; B23D 61/121; B23P 15/32; B27B 19/006

See application file for complete search history.

(56) **References Cited**

U.S. PATENT DOCUMENTS

1,875,362 A \* 9/1932 Wells ..... B23P 15/48  
72/340  
D328,557 S \* 8/1992 Nishimura ..... D8/70  
D668,697 S \* 10/2012 Hsu ..... D15/139  
D686,647 S \* 7/2013 Glimpel ..... D15/139

(Continued)

*Primary Examiner* — Samantha Q Lawrence

(74) *Attorney, Agent, or Firm* — Maschoff Brennan

(57) **CLAIM**

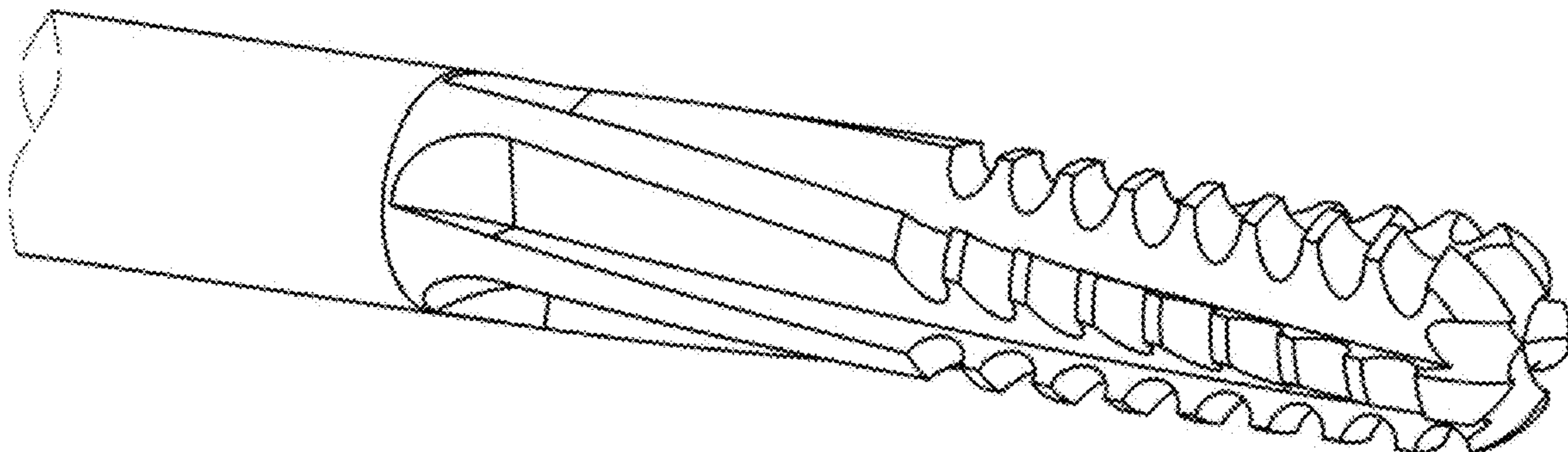
The ornamental design for an ultrasonic cutter head, as shown and described.

**DESCRIPTION**

FIG. 1 is a top, front, and left side perspective view of an ultrasonic cutter head, showing our new design; FIG. 2 is a top plan view thereof; FIG. 3 is a left side view thereof; FIG. 4 is a right side view thereof; FIG. 5 is a bottom plan view thereof; FIG. 6 is a front elevational view thereof; FIG. 7 is a rear elevational view thereof; and, FIG. 8 is a full view thereof.

The broken lines shown in FIGS. 1-5 and FIGS. 7-8 atop the cylinder illustrate boundaries of the ultrasonic cutter head. The additional broken lines shown in FIG. 8 illustrate environment and form no part of the claimed design.

**1 Claim, 3 Drawing Sheets**



(56)

**References Cited**

U.S. PATENT DOCUMENTS

D799,574 S \* 10/2017 Fothergill ..... D15/139  
D818,592 S \* 5/2018 Moseley ..... D24/171  
2006/0216125 A1\* 9/2006 Glimpel ..... B23G 5/188  
409/74  
2007/0162018 A1\* 7/2007 Jensen ..... A61B 17/1655  
606/326  
2008/0075550 A1\* 3/2008 Reed ..... B23G 5/06  
408/230  
2009/0136898 A1\* 5/2009 Kim ..... A61B 17/1655  
433/165  
2010/0092257 A1\* 4/2010 Henderer ..... B23G 5/06  
408/222  
2014/0100574 A1\* 4/2014 Bono ..... A61B 17/32002  
606/80  
2015/0147127 A1\* 5/2015 Shpigelman ..... B23C 5/10  
407/54  
2017/0312001 A1\* 11/2017 Naglapura ..... A61B 17/8888  
2018/0250756 A1\* 9/2018 Koga ..... B23B 51/02  
2019/0008609 A1\* 1/2019 Shioiri ..... A61B 17/16  
2019/0209184 A1\* 7/2019 Sun ..... A61B 17/16  
2019/0231489 A1\* 8/2019 Blackbeard ..... A61C 8/0022

\* cited by examiner

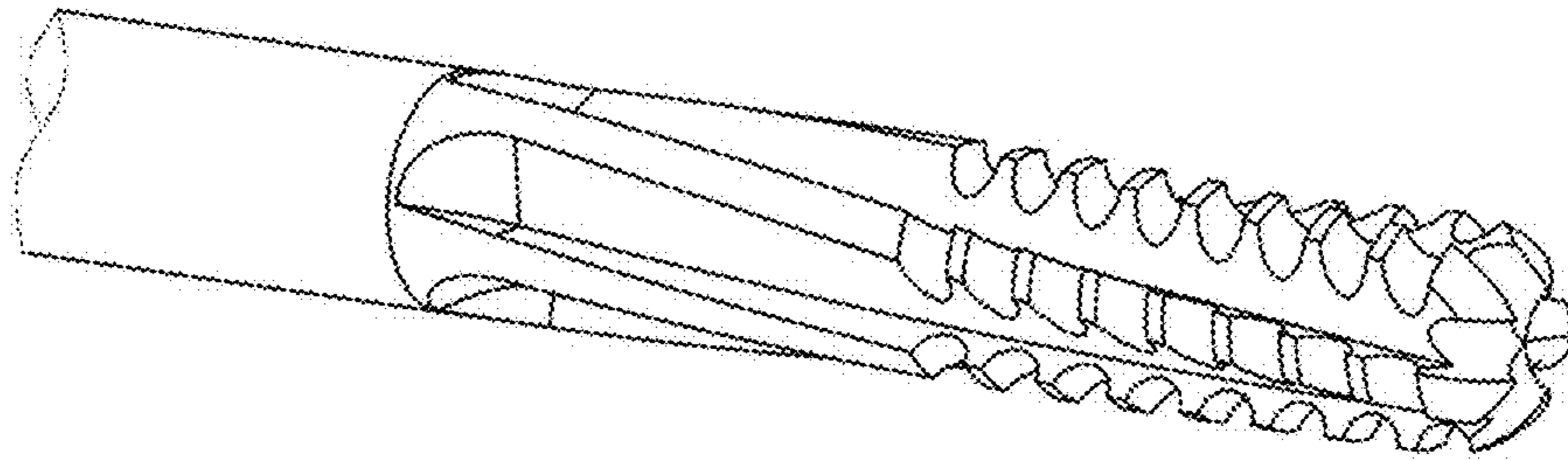


Fig.1



Fig.2

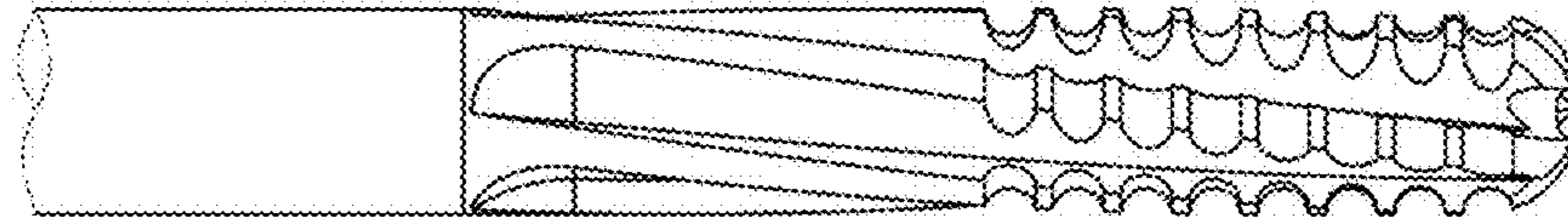


Fig.3

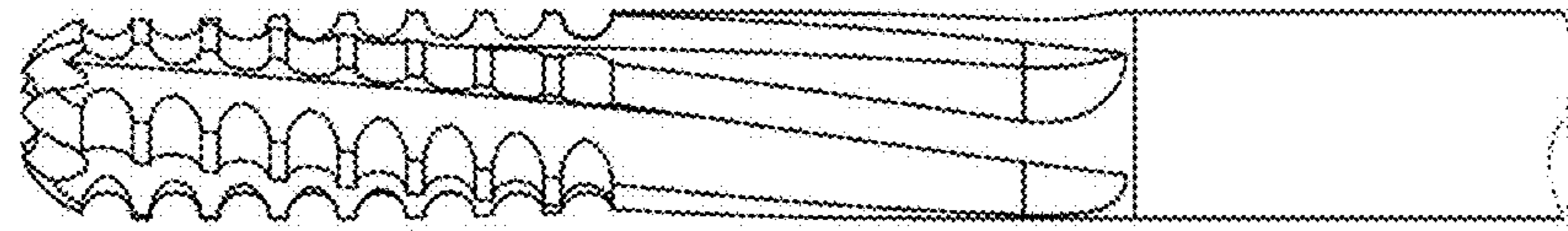


Fig.4



Fig.5

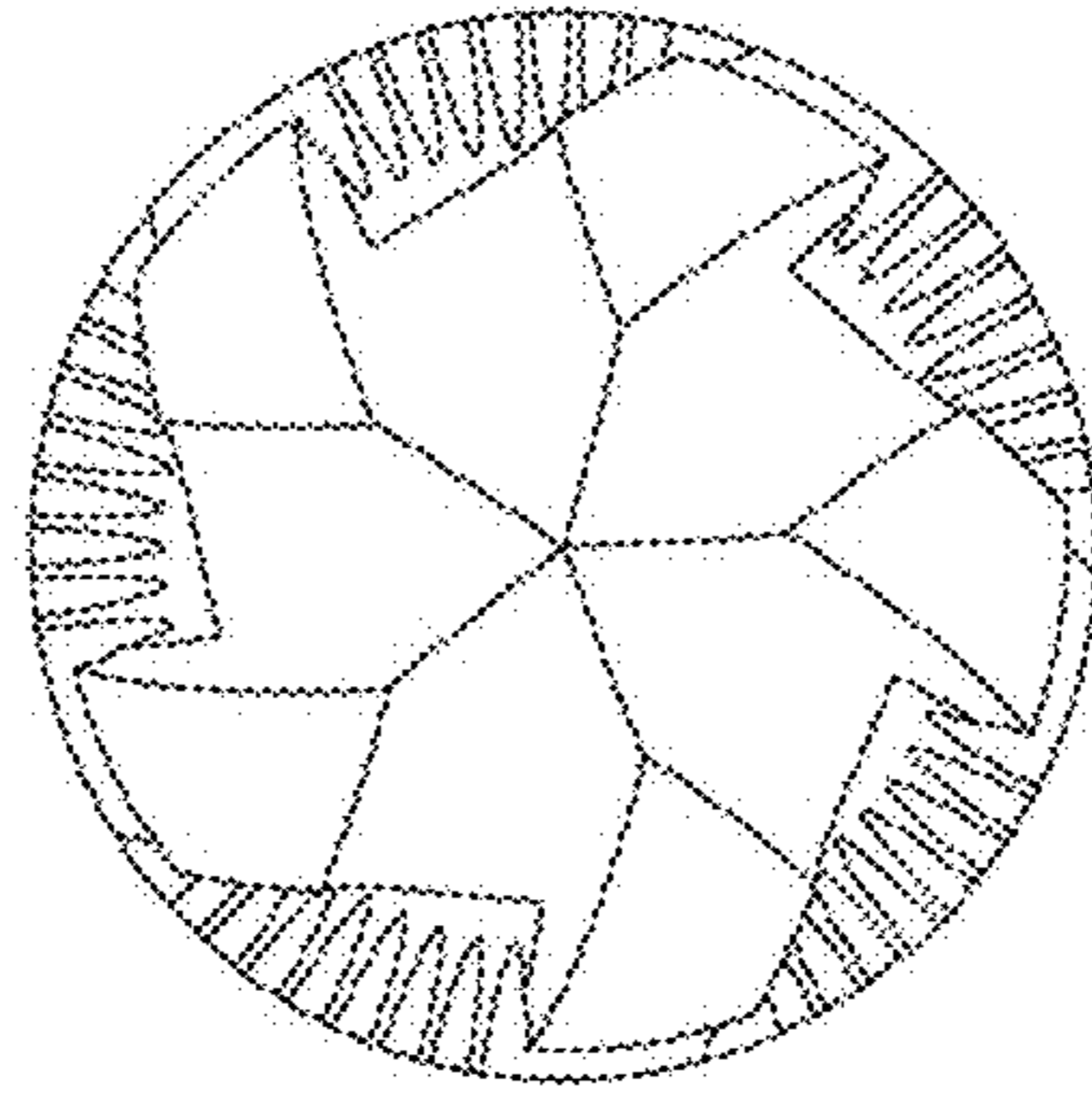


Fig.6

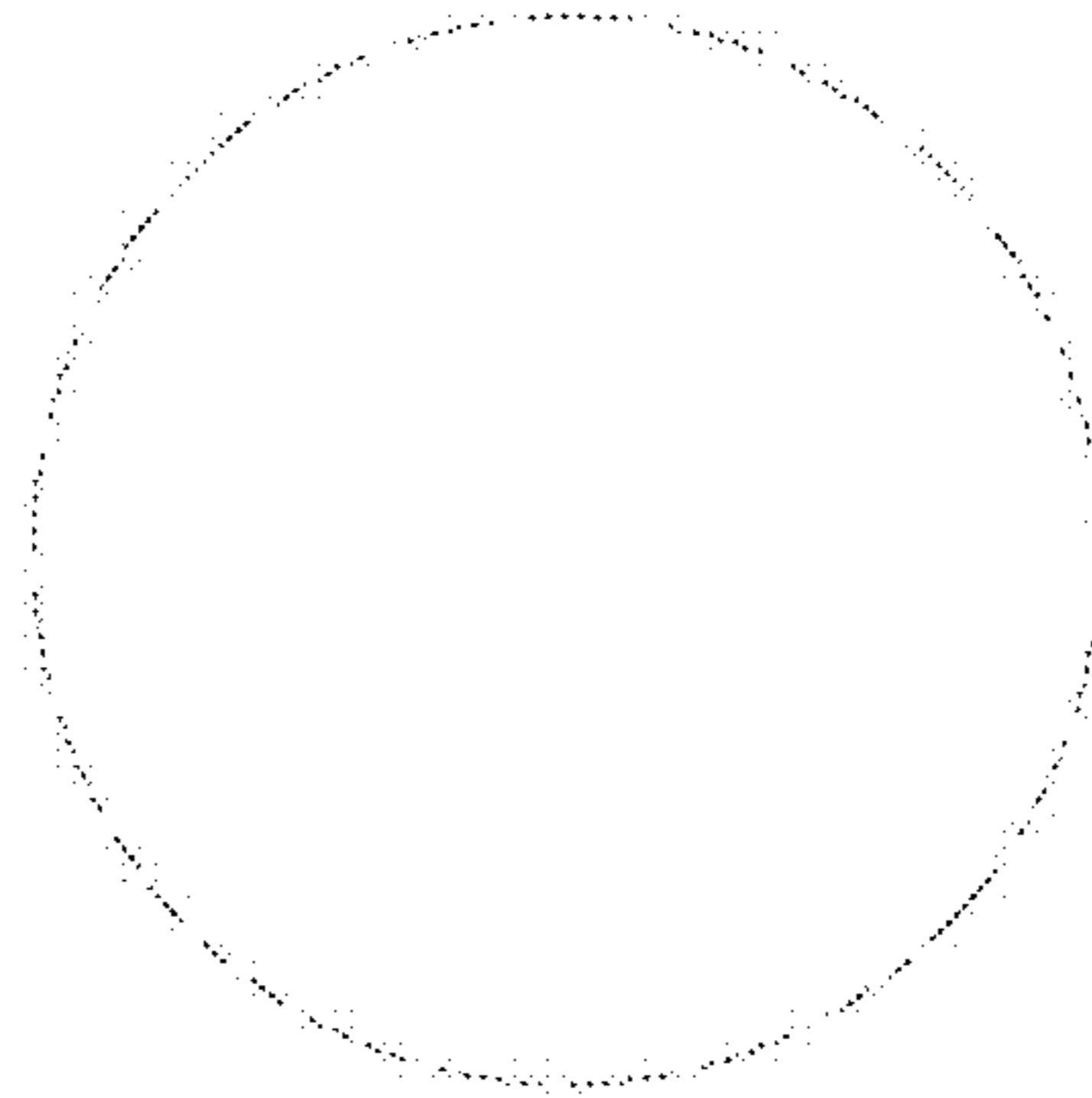


Fig.7

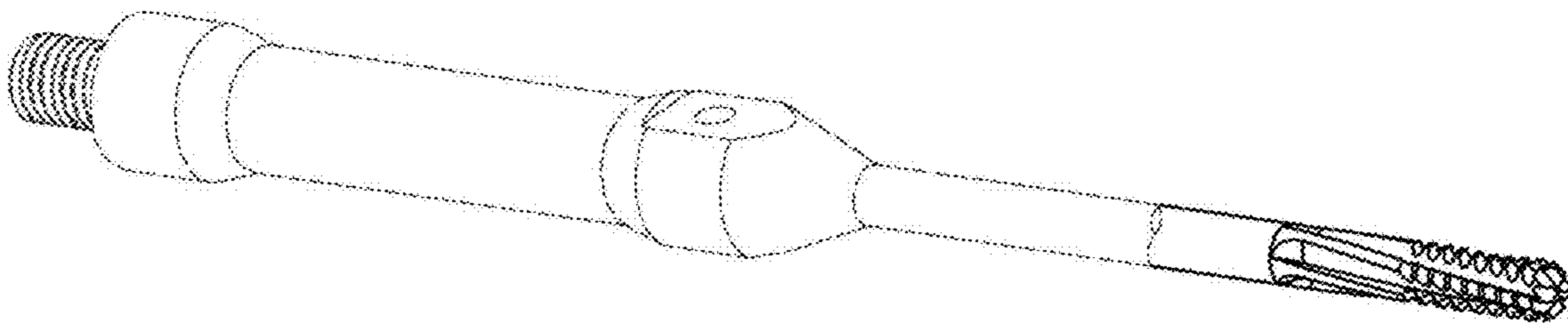


Fig.8