



US00D882789S

(12) **United States Design Patent**
Qun

(10) **Patent No.:** **US D882,789 S**

(45) **Date of Patent:** **** Apr. 28, 2020**

(54) **ULTRASONIC CUTTER HEAD**

(71) Applicant: **BEIJING SMTP TECHNOLOGY CO., LTD.**, Beijing (CN)

(72) Inventor: **Cao Qun**, Beijing (CN)

(73) Assignee: **BEIJING SMTP TECHNOLOGY CO., LTD.**, Beijing (CN)

(**) Term: **15 Years**

(21) Appl. No.: **29/635,576**

(22) Filed: **Jan. 31, 2018**

(51) **LOC (12) Cl.** **24-02**

(52) **U.S. Cl.**
USPC **D24/146**

(58) **Field of Classification Search**

USPC D24/108, 133, 150, 152, 155, 176, 210,
D24/231, 216, 232, 185, 186, 104,
D24/112-114, 117-119, 127, 141, 144,
D24/188, 207, 200, 209, 215; D15/21,
D15/22, 23, 24, 25, 26, 27, 28, 29, 138,
D15/139, 140; D8/70, 95, 96, 98;
D25/126; D28/7, 9, 20

CPC B23B 51/02; B23B 51/08; B23B 51/10;
B23B 51/00; B23B 2251/50; B23B
2251/18; B23B 2251/46; B23B 2222/28;
B23B 2240/08; Y10S 408/713; Y10T
407/26; Y10T 408/9097; Y10T 408/899;
Y10T 408/90; A61C 3/02; A61C 8/0089;
A61C 1/07; A61B 17/3213; A61B
17/3417; A61B 17/14; A61B 17/142;
A61B 17/32006; A61B 17/32002; A61B
17/3211; A61B 2017/00473; A61B
2017/320032; A61B 2017/32113; A61B
2017/32116; A61B 2017/3454; A61B
2018/1412; A61B 90/30; A61B 17/144;
A61B 17/1615; A61B 17/162; A61B
17/1624; A61B 17/1633; A61B 17/1637;
A61B 17/1659; A61B 17/16; A61B
17/1604; A61B 2017/00261; A61B
2017/320075; A61B 2017/32007; A61B

2017/32077; A61B 2217/007; A61B
17/1642; A61B 17/1671; B23D 77/02;
B23D 61/006; B23D 61/121; B23P 15/32;
B27B 19/006

See application file for complete search history.

(56) **References Cited**

U.S. PATENT DOCUMENTS

D479,106 S * 9/2003 Robertsson D8/20
D862,184 S * 10/2019 Bloom D8/20

(Continued)

OTHER PUBLICATIONS

SONOPET Ultrasonic Aspirator <https://neurosurgical.stryker.com/wp-content/uploads/2016/09/SONOPET-catalog-brochure.pdf> 2016 (Year: 2016).*

Primary Examiner — Samantha Q Lawrence

(74) *Attorney, Agent, or Firm* — Maschoff Brennan

(57) **CLAIM**

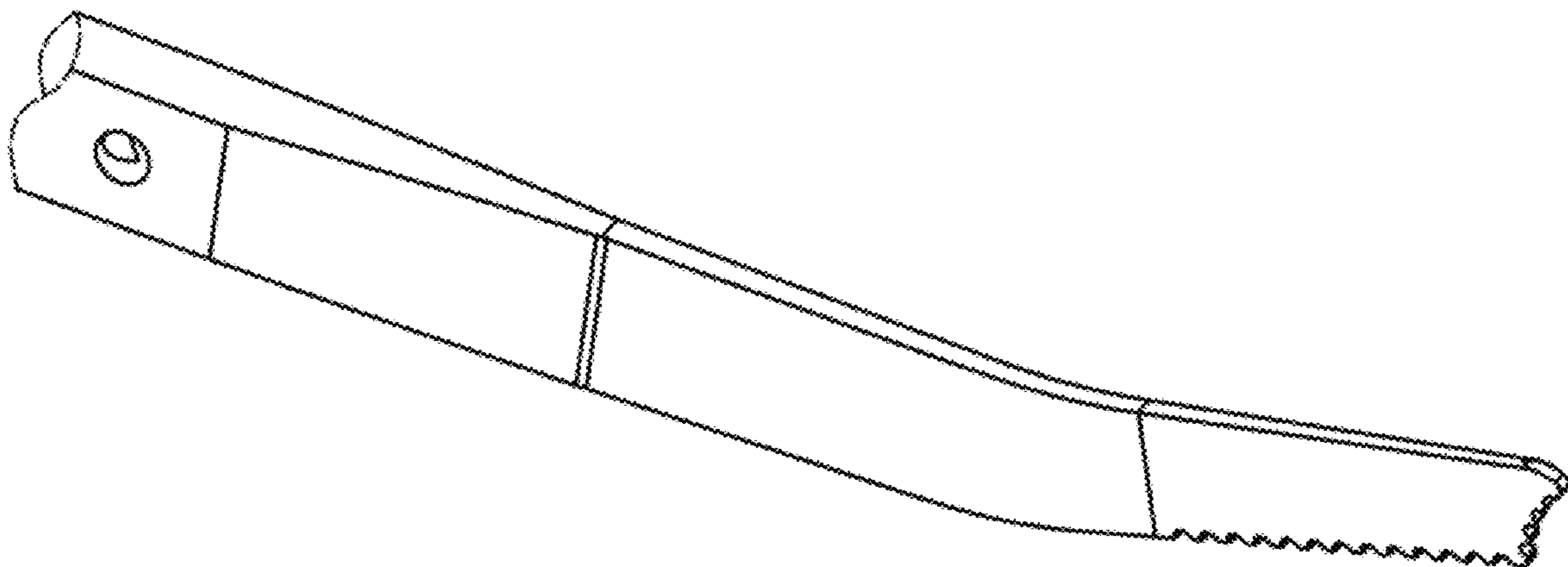
The ornamental design for an ultrasonic cutter head, as shown and described.

DESCRIPTION

FIG. 1 is a top, front, and left side perspective view of an ultrasonic cutter head, showing our new design;
FIG. 2 is a top plan view thereof;
FIG. 3 is a left side view thereof;
FIG. 4 is a right side view thereof;
FIG. 5 is a bottom plan view thereof;
FIG. 6 is a front elevational view thereof;
FIG. 7 is a rear elevational view thereof; and,
FIG. 8 is a full view thereof.

The broken lines shown in FIGS. 1-5 and FIGS. 7-8 atop the front edge illustrate boundaries of the ultrasonic cutter head. The additional broken lines shown in FIG. 8 illustrate environment and form no part of the claimed design.

1 Claim, 3 Drawing Sheets



(56)

References Cited

U.S. PATENT DOCUMENTS

2013/0150859 A1* 6/2013 Kehres A61B 17/1659
606/81
2016/0128711 A1* 5/2016 Cao A61B 17/3209
606/84
2016/0128716 A1* 5/2016 Cao A61B 17/3209
606/84
2018/0250029 A1* 9/2018 Begg A61B 17/3203
2018/0263635 A1* 9/2018 Zhan A61B 17/16
2019/0059912 A1* 2/2019 Feng A61B 17/1659
2019/0099210 A1* 4/2019 Eggers A61B 18/10
2019/0125366 A1* 5/2019 Sun A61B 17/1659
2019/0254696 A1* 8/2019 Sun A61B 17/1615
2019/0336145 A1* 11/2019 Bader A61B 17/1664

* cited by examiner

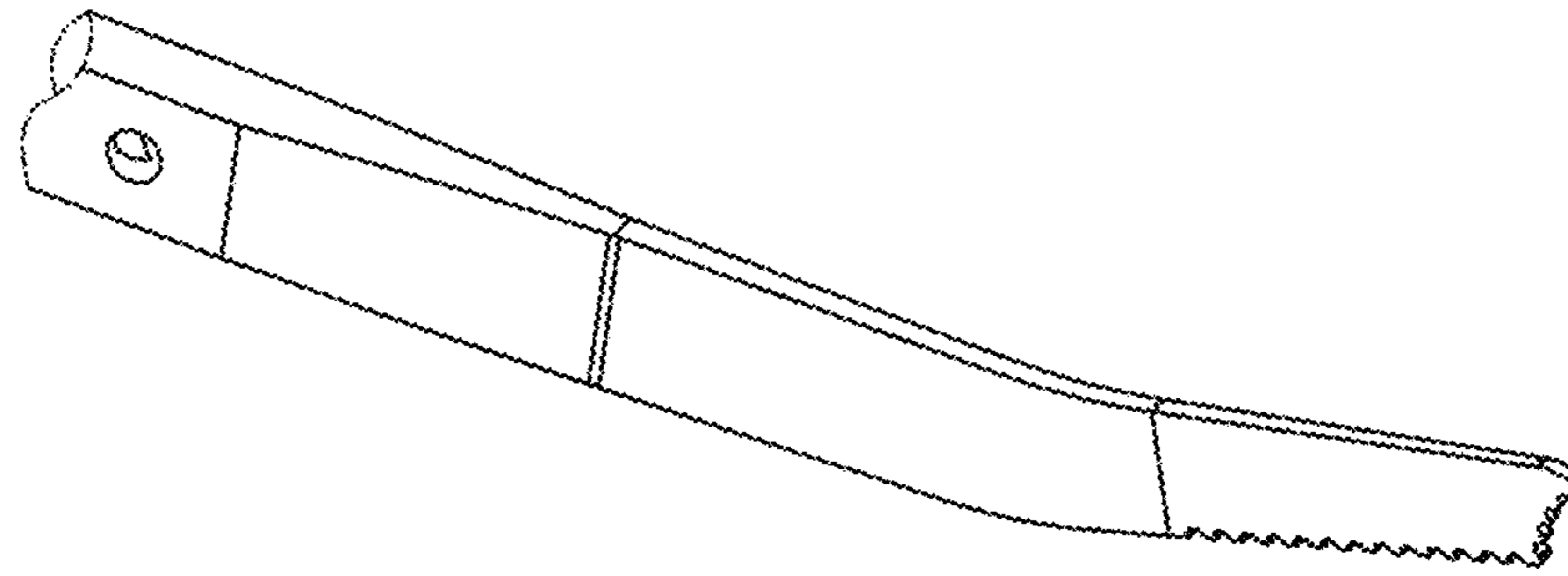


Fig.1



Fig.2

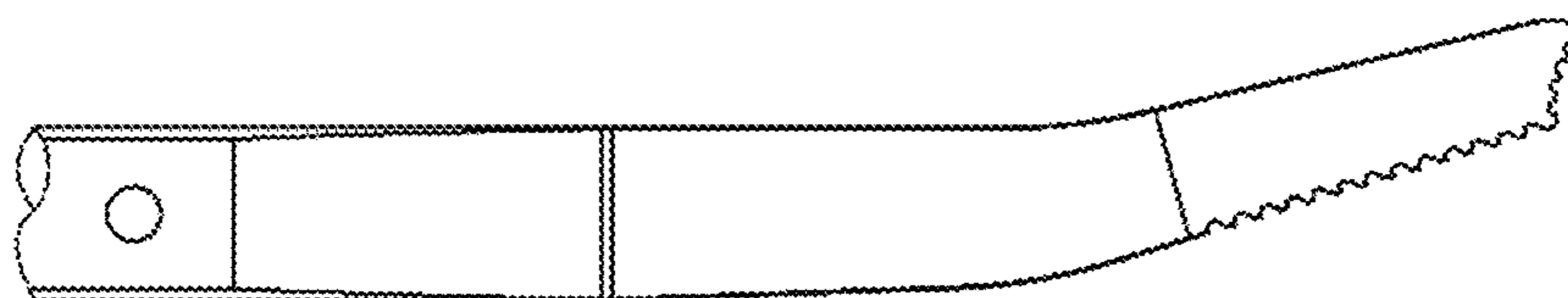


Fig.3

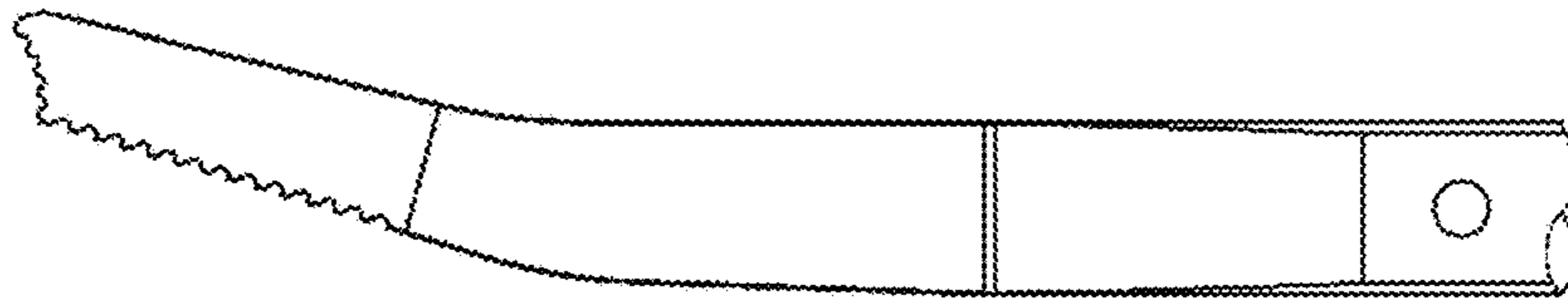


Fig.4

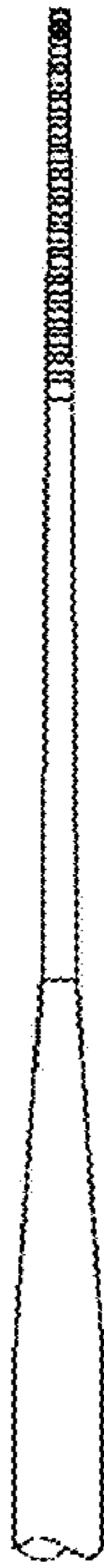


Fig.5

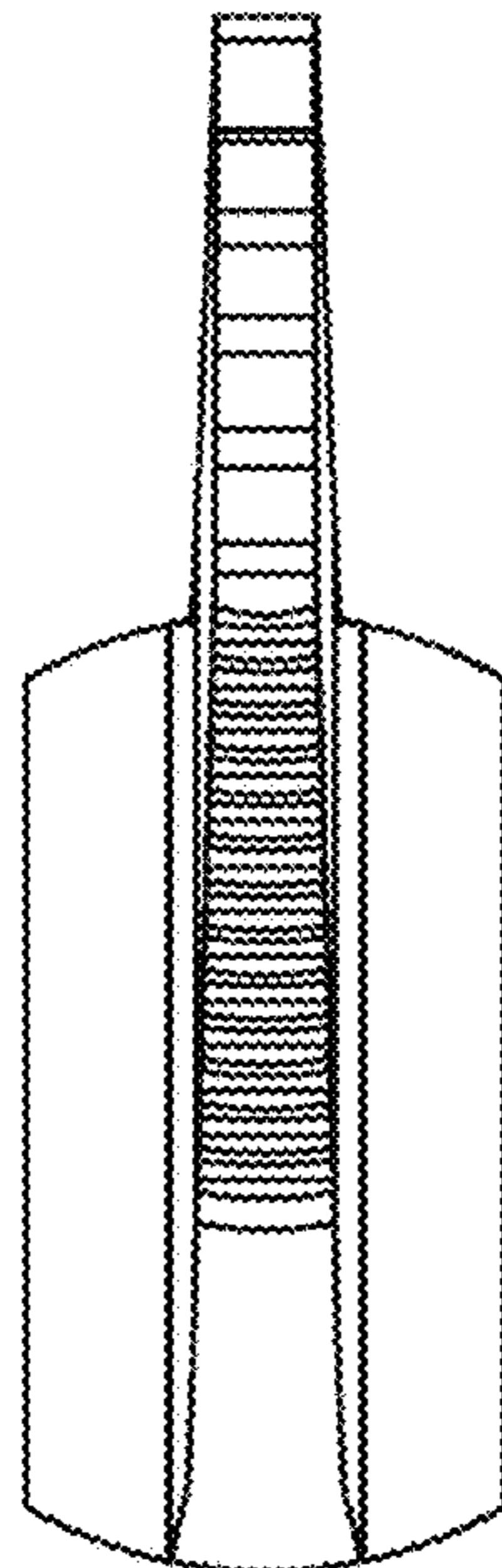


Fig.6

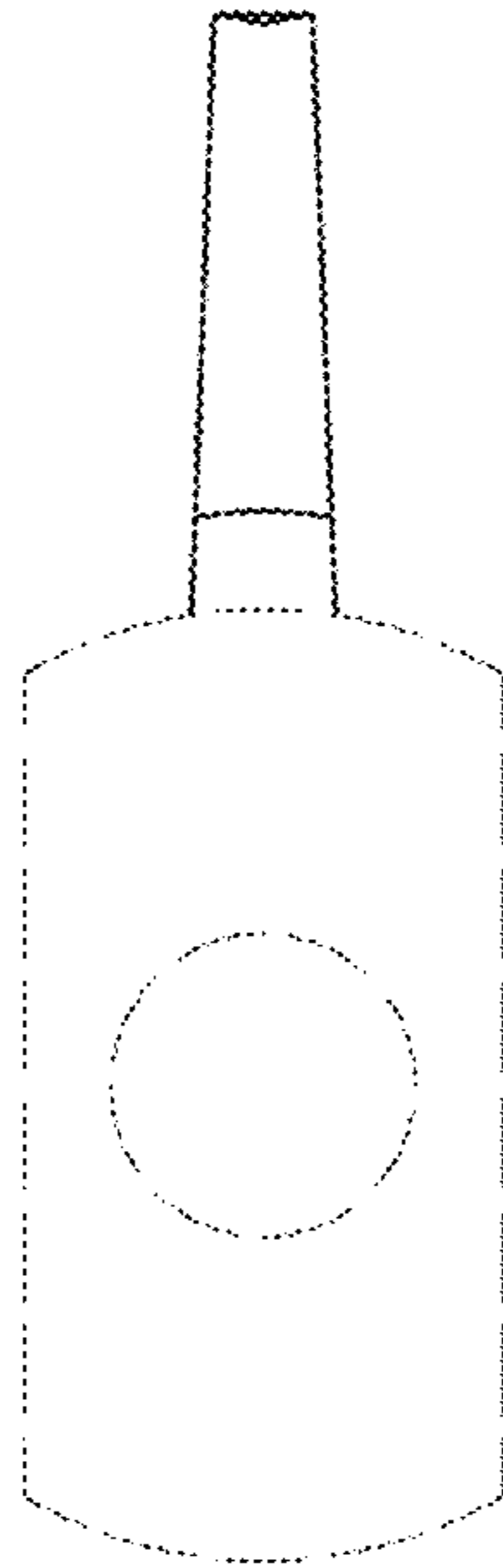


Fig.7

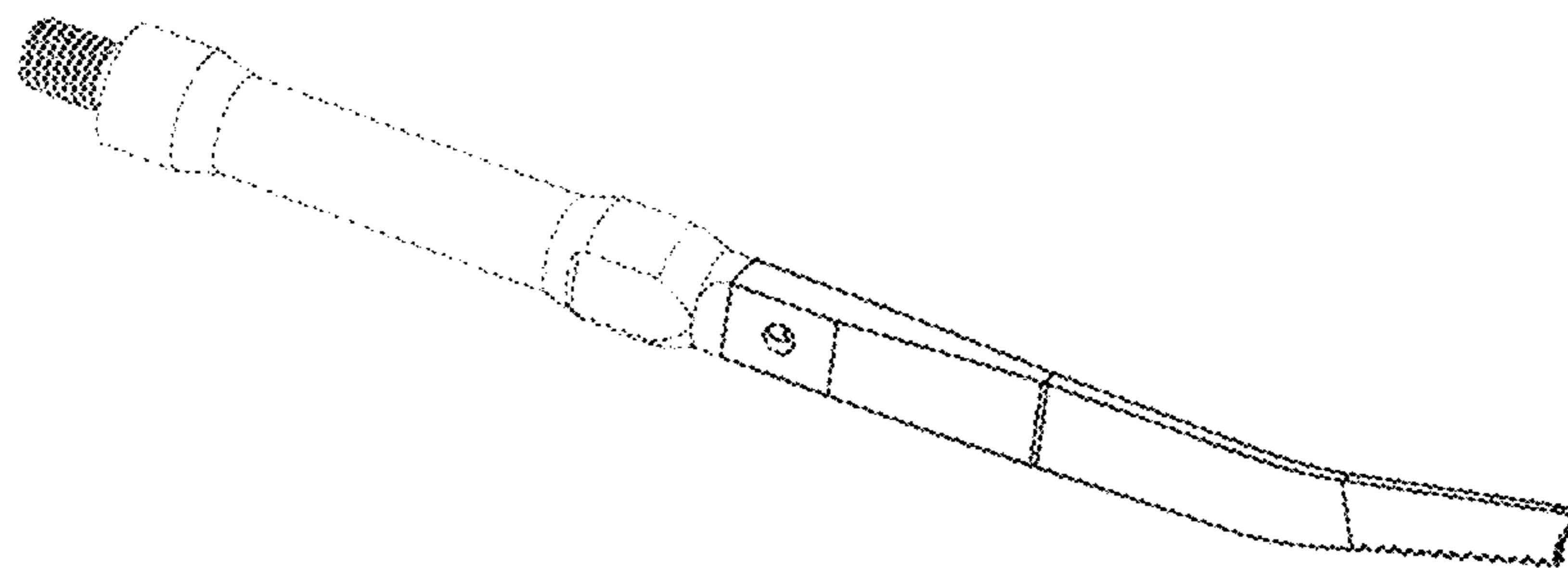


Fig.8