



US00D882788S

(12) **United States Design Patent**  
**Qun**

(10) **Patent No.:** **US D882,788 S**

(45) **Date of Patent:** **\*\* Apr. 28, 2020**

(54) **ULTRASONIC CUTTER HEAD**

(71) Applicant: **BEIJING SMTP TECHNOLOGY CO., LTD.**, Beijing (CN)

(72) Inventor: **Cao Qun**, Beijing (CN)

(73) Assignee: **BEIJING SMTP TECHNOLOGY CO., LTD.**, Beijing (CN)

(\*\*) Term: **15 Years**

(21) Appl. No.: **29/635,575**

(22) Filed: **Jan. 31, 2018**

(51) **LOC (12) Cl.** ..... **24-02**

(52) **U.S. Cl.**  
USPC ..... **D24/146**

(58) **Field of Classification Search**  
USPC ..... D24/108, 133, 150, 152, 155, 176, 210, D24/231, 216, 232, 185, 186, 104, D24/112-114, 117-119, 127, 141, 144, D24/146, 147, 148, 188, 207, 200, 209, D24/215, 171; D15/21, 22, 23, 24, 25, D15/26, 27, 28, 29, 138, 139, 140; D8/70, 95, 96, 98; D25/126; D28/7, 9, D28/20

CPC ..... B23B 51/02; B23B 51/08; B23B 51/10; B23B 51/00; B23B 2251/50; B23B 2251/18; B23B 2251/46; B23B 2222/28; B23B 2240/08; Y10S 408/713; Y10T 407/26; Y10T 408/9097; Y10T 408/899; Y10T 408/90; A61C 3/02; A61C 8/0089; A61C 1/07; A61B 17/3213; A61B 17/3417; A61B 17/14; A61B 17/142; A61B 17/320016; A61B 17/32002; A61B 17/3211; A61B 2017/00473; A61B 2017/320032; A61B 2017/32113; A61B 2017/32116; A61B 2017/3454; A61B 2018/1412; A61B 90/30; A61B 17/144; A61B 17/1615; A61B 17/162; A61B 17/1624; A61B 17/1633; A61B 17/1637; A61B 17/1659; A61B 17/16; A61B

17/1604; A61B 2017/00261; A61B 2017/320075; A61B 2017/32007; A61B 2017/320077; A61B 2217/007; A61B 17/1642; A61B 17/1671; B23D 77/02; (Continued)

(56) **References Cited**

U.S. PATENT DOCUMENTS

D302,298 S \* 7/1989 Chechelski ..... D24/147  
D400,547 S \* 11/1998 Albrektsson ..... D15/139  
(Continued)

OTHER PUBLICATIONS

Sonopet Ultrasonic Aspirator <https://neurosurgical.stryker.com/wp-content/uploads/2016/09/SONOPET-catalog-brochure.pdf> 2016 (Year: 2016).\*

*Primary Examiner* — Samantha Q Lawrence  
(74) *Attorney, Agent, or Firm* — Maschoff Brennan

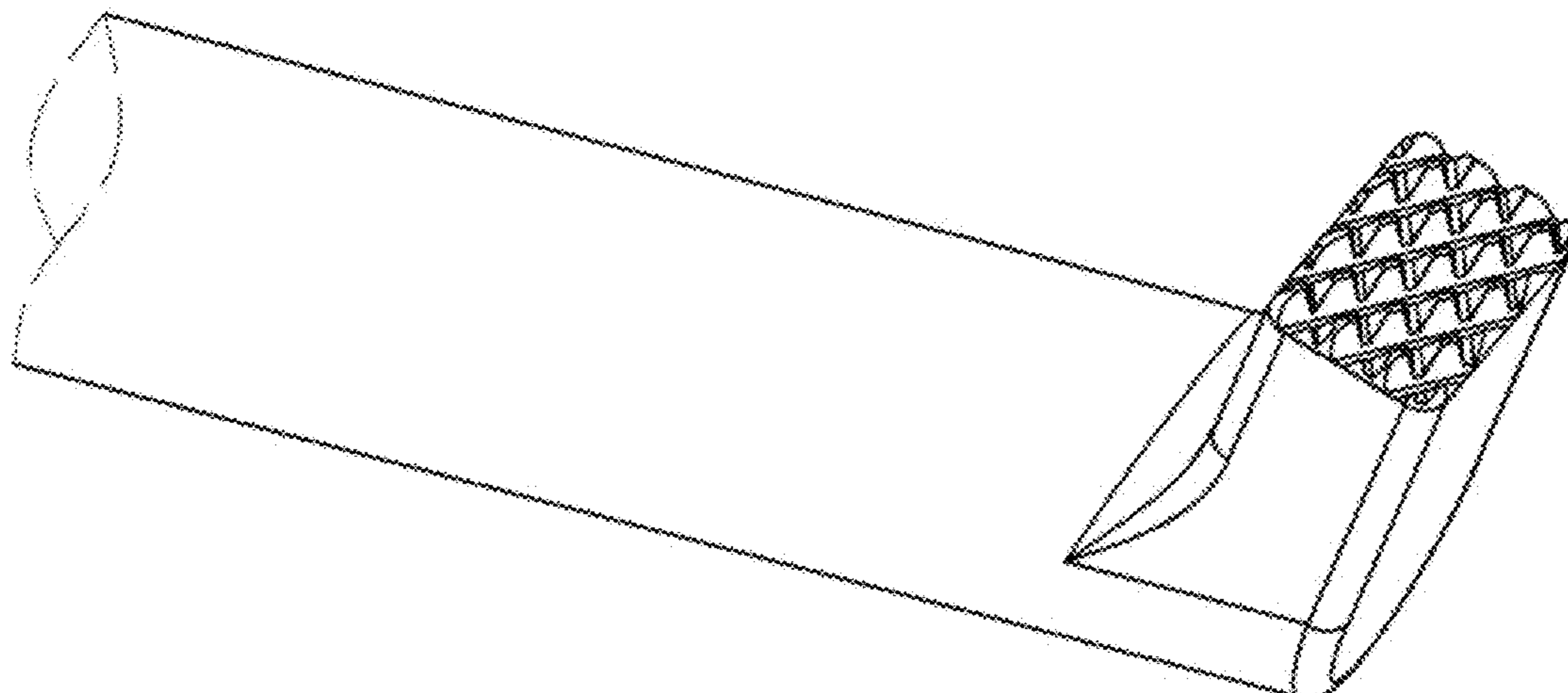
(57) **CLAIM**

The ornamental design for an ultrasonic cutter head, as shown and described.

**DESCRIPTION**

FIG. 1 is a top, front, and left side perspective view of an ultrasonic cutter head, showing our new design; FIG. 2 is a top plan view thereof; FIG. 3 is a left side view thereof; FIG. 4 is a right side view thereof; FIG. 5 is a bottom plan view thereof; FIG. 6 is a front elevational view thereof; FIG. 7 is a rear elevational view thereof; and, FIG. 8 is a full view thereof. The broken lines shown in FIGS. 1-5 and FIGS. 7-8 atop the cylinder illustrate boundaries of the ultrasonic cutter head. The additional broken lines shown in FIG. 8 illustrate environment and form no part of the claimed design.

**1 Claim, 3 Drawing Sheets**



(58) **Field of Classification Search**  
 CPC ..... B23D 61/006; B23D 61/121; B23P 15/32;  
 B27B 19/006  
 See application file for complete search history.

(56) **References Cited**

U.S. PATENT DOCUMENTS

D454,143 S \* 3/2002 Åsberg ..... D15/139  
 D511,002 S \* 10/2005 Easley ..... D24/144  
 7,223,267 B2 \* 5/2007 Isola ..... A61B 17/320068  
 606/169  
 D656,167 S \* 3/2012 Dunnahoe ..... D15/131  
 8,353,912 B2 \* 1/2013 Darian ..... A61B 17/320068  
 606/84  
 8,430,897 B2 \* 4/2013 Novak ..... A61B 17/320068  
 606/169  
 8,512,340 B2 \* 8/2013 Easley ..... A61B 17/1659  
 606/79

8,800,690 B2 \* 8/2014 Lyon ..... E21B 4/14  
 175/135  
 9,622,766 B2 \* 4/2017 Voic ..... A61B 17/320783  
 9,872,697 B2 \* 1/2018 Voic ..... A61B 17/320068  
 10,398,463 B2 \* 9/2019 Darian ..... A61B 17/320068  
 2002/0153174 A1 \* 10/2002 Linden ..... E21B 10/56  
 175/426  
 2004/0030254 A1 \* 2/2004 Babaev ..... A61B 17/54  
 600/459  
 2005/0177184 A1 \* 8/2005 Easley ..... A61B 17/1659  
 606/167  
 2006/0060389 A1 \* 3/2006 Hadin ..... E21B 10/38  
 175/415  
 2018/0228551 A1 \* 8/2018 Moe ..... A61B 17/32002  
 2019/0110799 A1 \* 4/2019 Sun ..... A61B 17/32  
 2019/0183521 A1 \* 6/2019 Li ..... A61B 17/1604  
 2019/0201167 A1 \* 7/2019 Vergoullis ..... A61C 1/084  
 2019/0223898 A1 \* 7/2019 Curtin ..... A61B 17/32002  
 2019/0231379 A1 \* 8/2019 Edwards ..... A61B 17/32002

\* cited by examiner

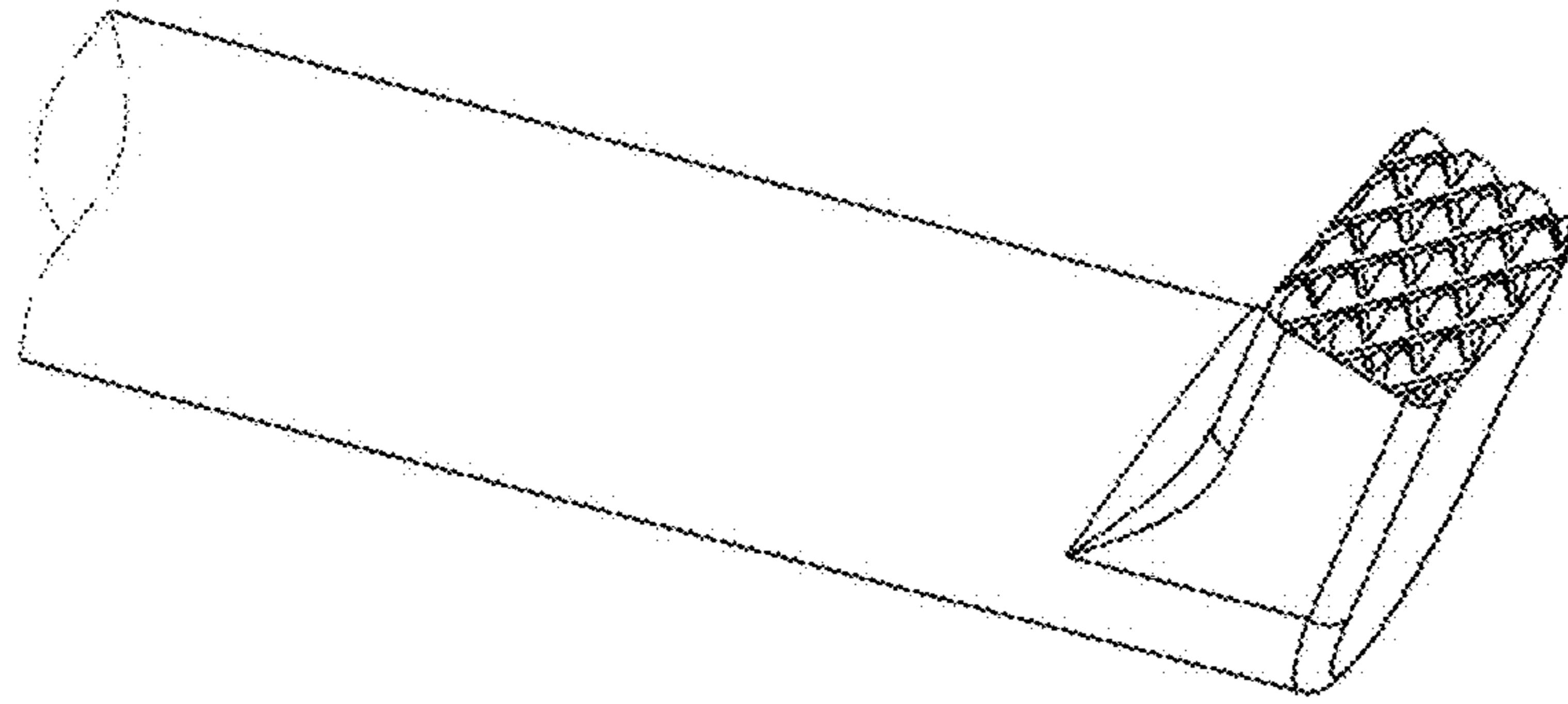


Fig.1

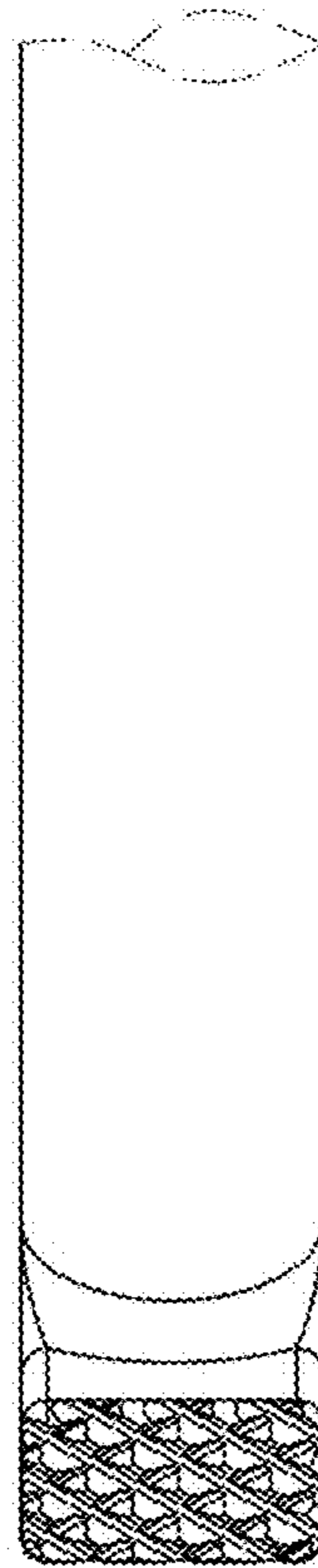


Fig.2

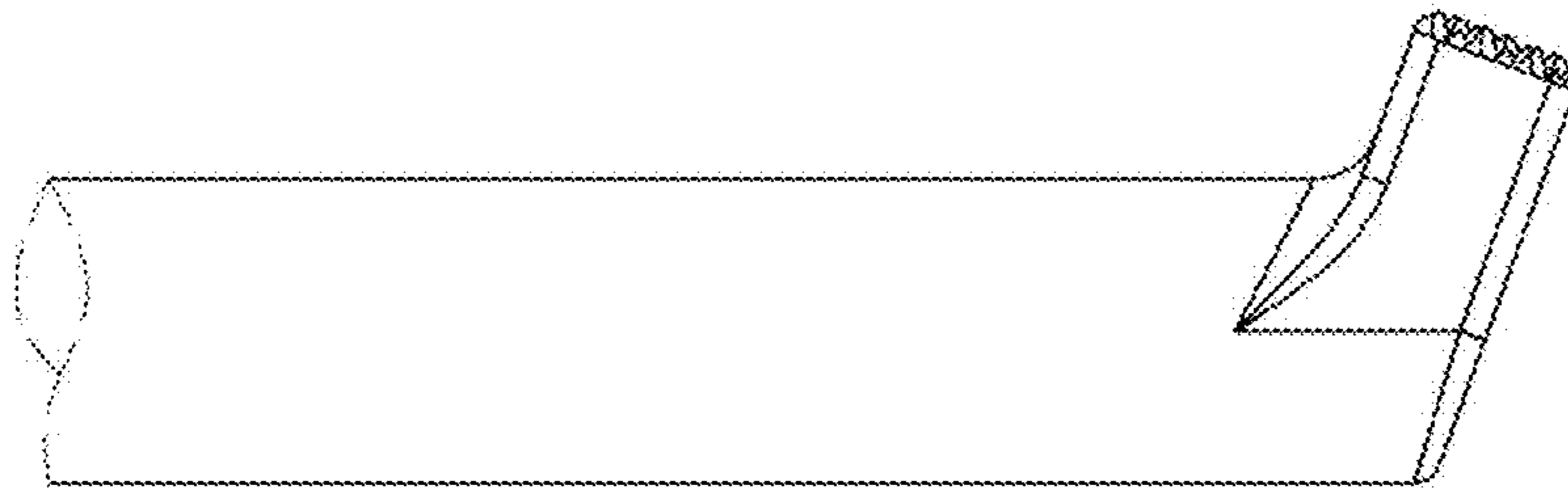


Fig.3

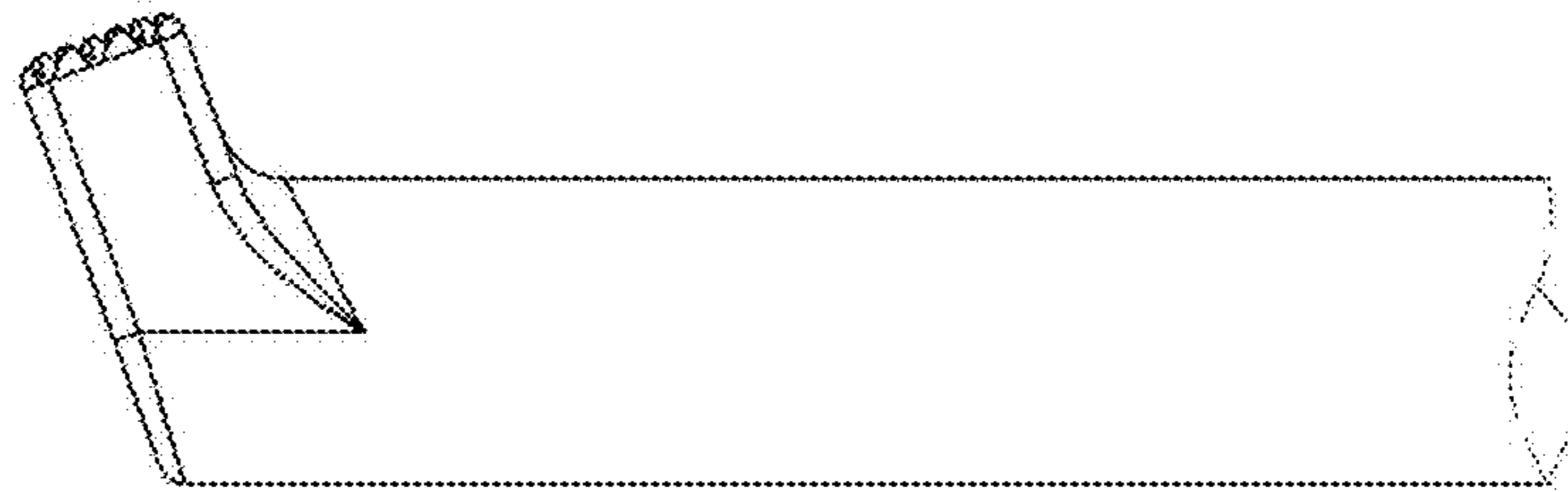


Fig.4

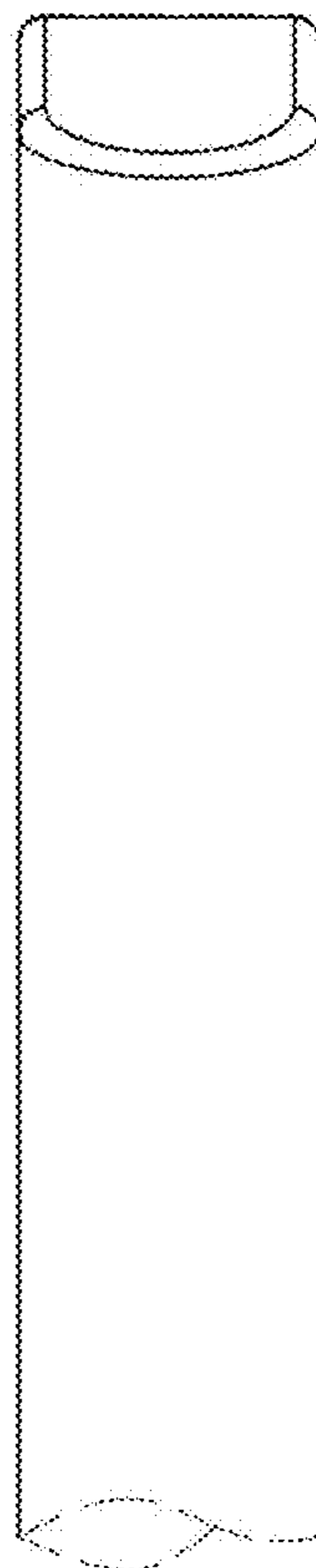


Fig.5

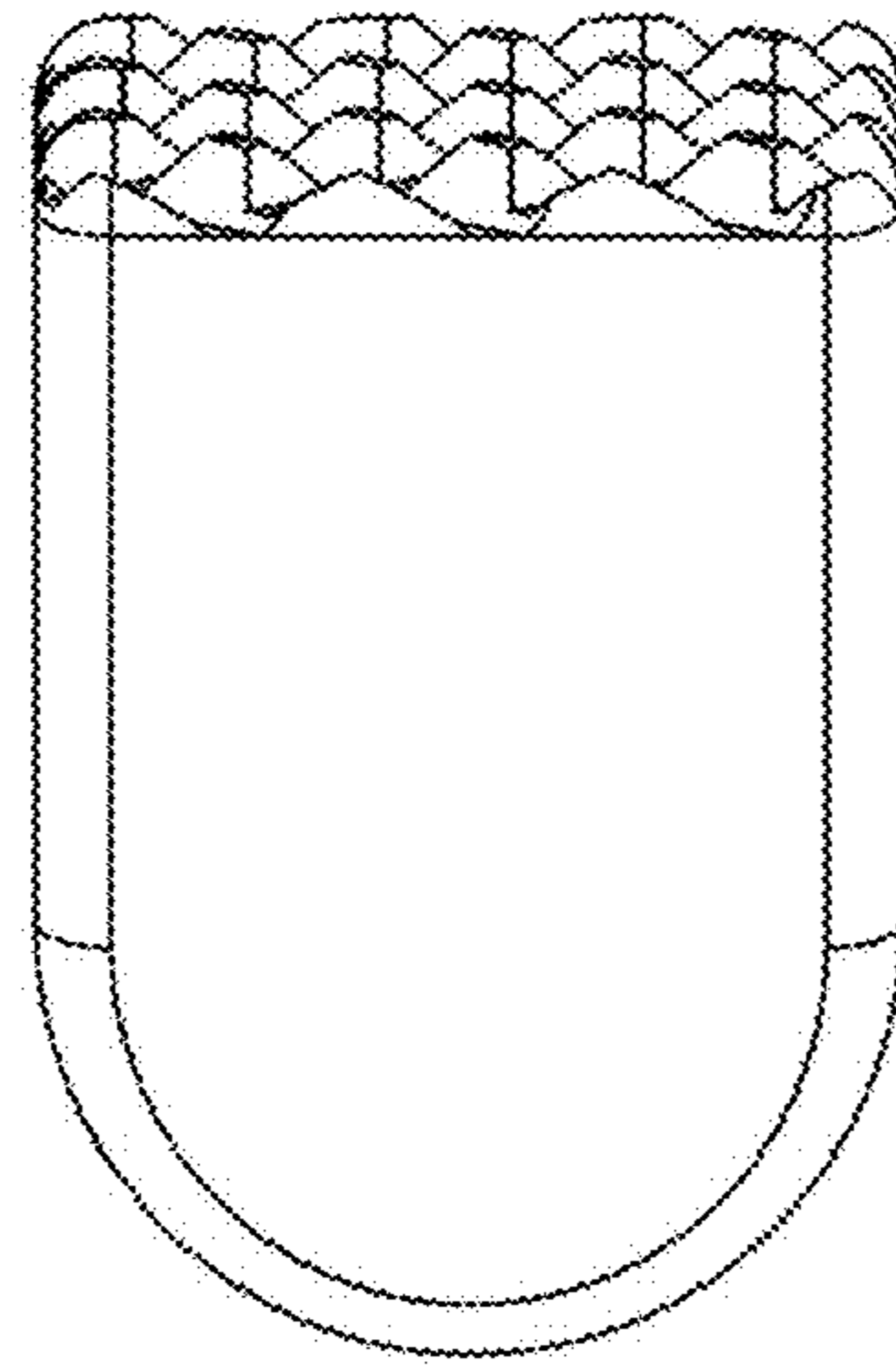


Fig.6

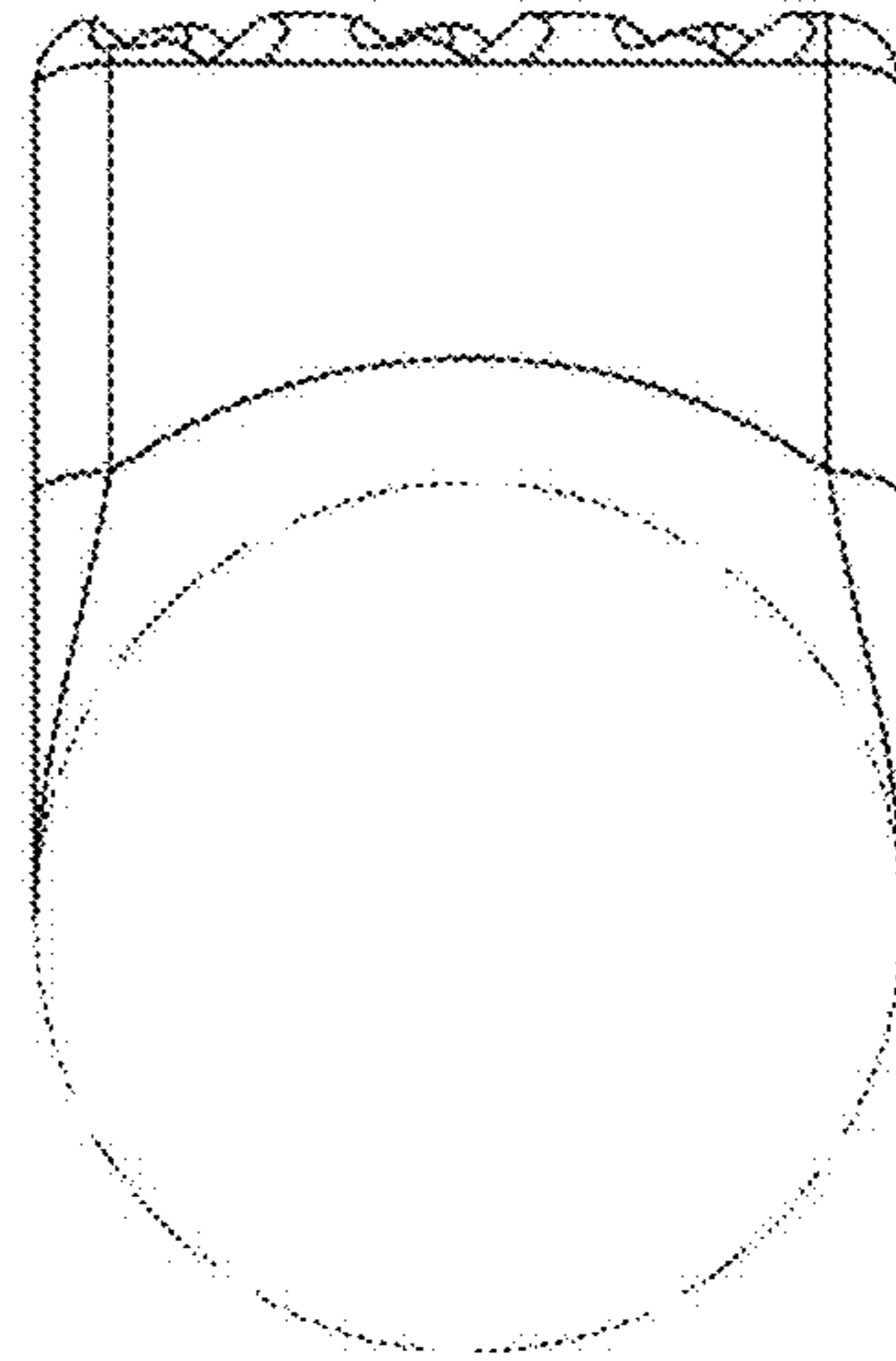


Fig.7

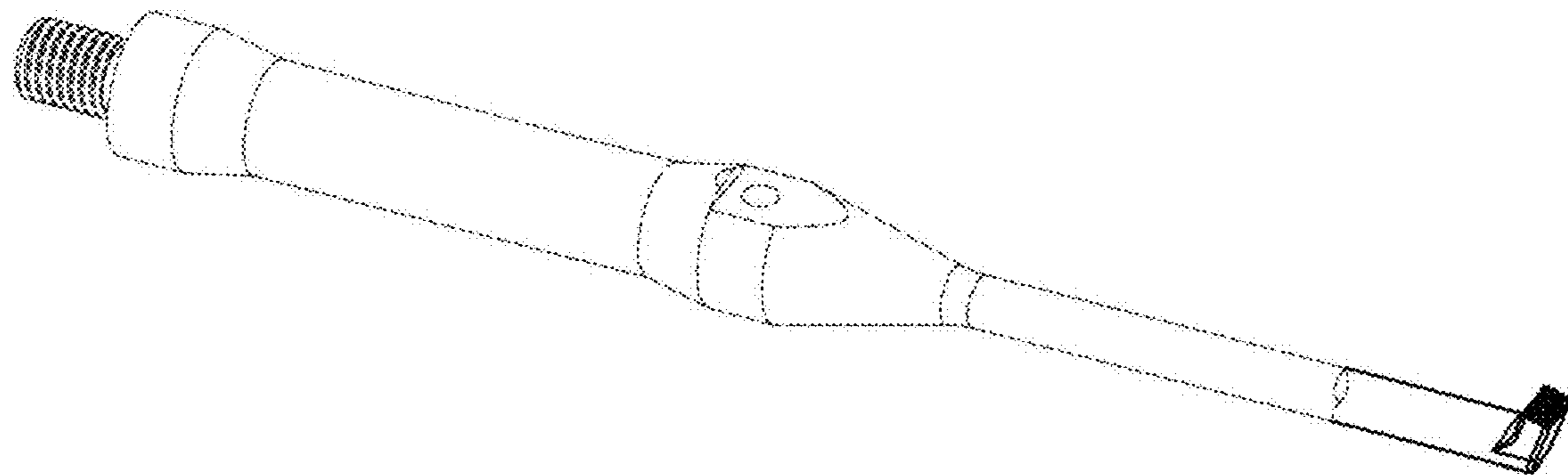


Fig.8