



US00D882785S

(12) **United States Design Patent**
Qun

(10) **Patent No.:** **US D882,785 S**

(45) **Date of Patent:** **** Apr. 28, 2020**

(54) **ULTRASONIC CUTTER HEAD**

17/1604; A61B 2017/00261; A61B
2017/320075; A61B 2017/32007; A61B

(Continued)

(71) Applicant: **BEIJING SMTP TECHNOLOGY
CO., LTD.**, Beijing (CN)

(72) Inventor: **Cao Qun**, Beijing (CN)

(73) Assignee: **BEIJING SMTP TECHNOLOGY
CO., LTD.**, Beijing (CN)

(**) Term: **15 Years**

(21) Appl. No.: **29/635,567**

(22) Filed: **Jan. 31, 2018**

(51) **LOC (12) Cl.** **24-02**

(52) **U.S. Cl.**
USPC **D24/146**

(58) **Field of Classification Search**
USPC D24/108, 133, 150, 152, 155, 176, 210,
D24/231, 216, 232, 185, 186, 104,
D24/112-114, 117-119, 127, 141, 144,
D24/146, 147, 148, 188, 207, 200, 209,
D24/215, 171; D15/21, 22, 23, 24, 25,
D15/26, 27, 28, 29, 138, 139, 140;
D28/70, 7, 9, 20; D25/126; D8/95, 96,
D8/98

CPC B23B 51/02; B23B 51/08; B23B 51/10;
B23B 51/00; B23B 2251/50; B23B
2251/18; B23B 2251/46; B23B 2222/28;
B23B 2240/08; Y10S 408/713; Y10T
407/26; Y10T 408/9097; Y10T 408/899;
Y10T 408/90; A61C 3/02; A61C 8/0089;
A61C 1/07; A61B 17/3213; A61B
17/3417; A61B 17/14; A61B 17/142;
A61B 17/320016; A61B 17/32002; A61B
17/3211; A61B 2017/00473; A61B
2017/320032; A61B 2017/32113; A61B
2017/32116; A61B 2017/3454; A61B
2018/1412; A61B 90/30; A61B 17/144;
A61B 17/1615; A61B 17/162; A61B
17/1624; A61B 17/1633; A61B 17/1637;
A61B 17/1659; A61B 17/16; A61B

(56) **References Cited**

U.S. PATENT DOCUMENTS

3,896,811 A * 7/1975 Storz A61B 17/22012
606/128

4,823,793 A * 4/1989 Angulo A61B 17/22012
606/128

(Continued)

OTHER PUBLICATIONS

Sonopet Ultrasonic Aspirator <https://neurosurgical.stryker.com/wp-content/uploads/2016/09/SONOPET-catalog-brochure.pdf> 2016 (Year: 2016).*

Primary Examiner — Samantha Q Lawrence

(74) *Attorney, Agent, or Firm* — Maschoff Brennan

(57) **CLAIM**

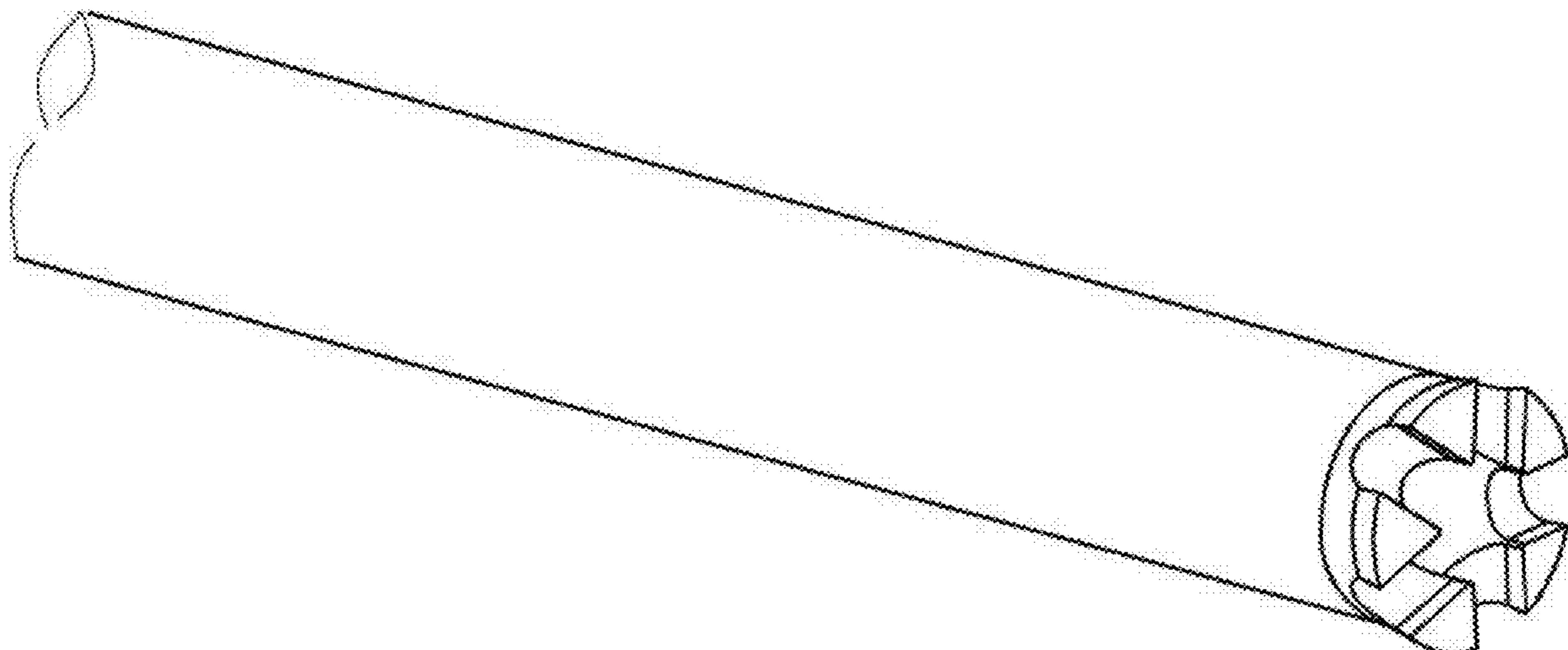
The ornamental design for an ultrasonic cutter head, as shown and described.

DESCRIPTION

FIG. 1 is a top, front, and left side perspective view of an ultrasonic cutter head, showing our new design;
FIG. 2 is a top plan view thereof;
FIG. 3 is a left side view thereof;
FIG. 4 is a right side view thereof;
FIG. 5 is a bottom plan view thereof;
FIG. 6 is a front elevational view thereof;
FIG. 7 is a rear elevational view thereof; and,
FIG. 8 is a full view thereof.

The broken lines shown in FIGS. 1-5 and FIGS. 7-8 atop the cylinder illustrate boundaries of the ultrasonic cutter head. The additional broken lines shown in FIG. 8 illustrate environment and form no part of the claimed design.

1 Claim, 3 Drawing Sheets



(58) **Field of Classification Search**

CPC 2017/320077; A61B 2217/007; A61B
 17/1642; A61B 17/1671; B23D 77/02;
 B23D 61/006; B23D 61/121; B23P 15/32;
 B27B 19/006

See application file for complete search history.

(56) **References Cited**

U.S. PATENT DOCUMENTS

6,723,110 B2 * 4/2004 Timm A61B 17/320068
 606/169
 D529,937 S * 10/2006 Brady D15/139
 D596,743 S * 7/2009 Agbodo D24/146
 7,695,520 B2 * 4/2010 Metzger A61B 17/1675
 623/20.35
 D616,094 S * 5/2010 Boone, III D24/133
 D725,164 S * 3/2015 Guerriero D15/139
 D776,277 S * 1/2017 Prendergast D24/147
 D861,740 S * 10/2019 Stanley D15/28
 2008/0139995 A1 * 6/2008 Guerra A61B 17/32002
 604/22
 2015/0223841 A1 * 8/2015 Prendergast A61B 17/4208
 606/125
 2016/0074944 A1 * 3/2016 Koga B23B 51/02
 408/1 R
 2017/0216945 A1 * 8/2017 Kopton B23D 77/00
 2017/0326652 A1 * 11/2017 Koga B23B 51/02
 2018/0235737 A1 * 8/2018 Chung A61B 17/1673
 2018/0250756 A1 * 9/2018 Koga B23B 51/02
 2018/0318939 A1 * 11/2018 Harada B23B 51/00
 2018/0369925 A1 * 12/2018 Novovic B23B 27/141
 2019/0291189 A1 * 9/2019 Onchi B23B 51/02

* cited by examiner

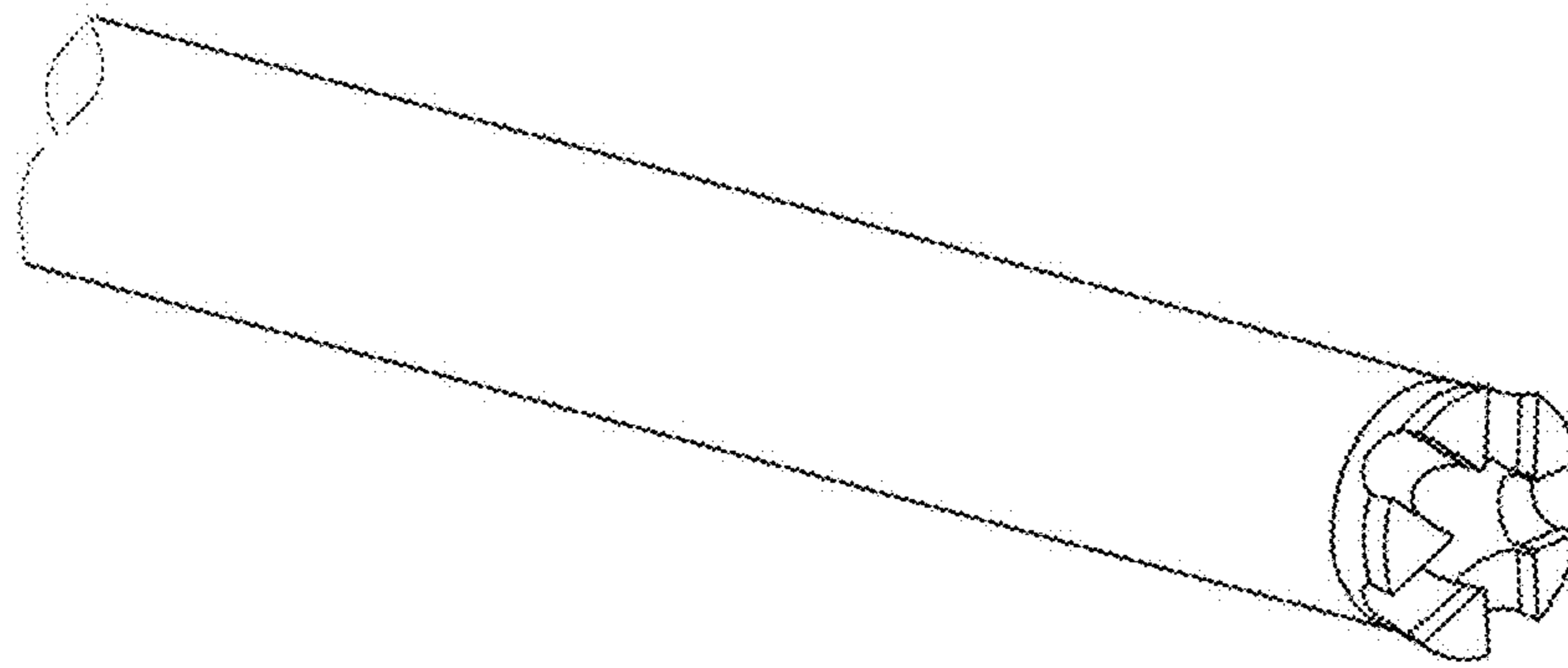


Fig.1

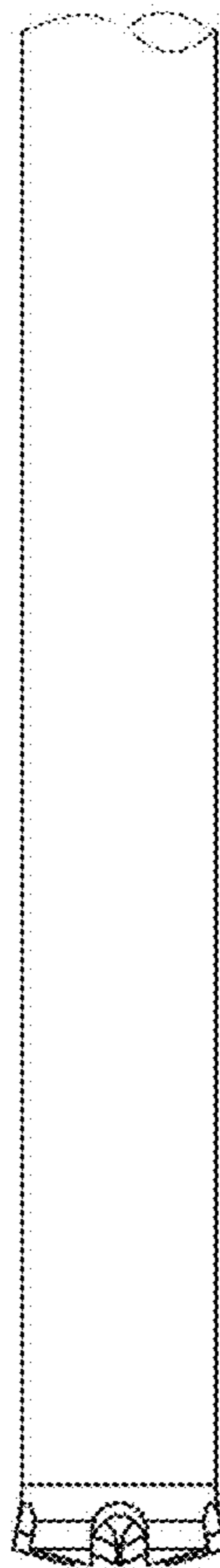


Fig.2



Fig.3



Fig.4

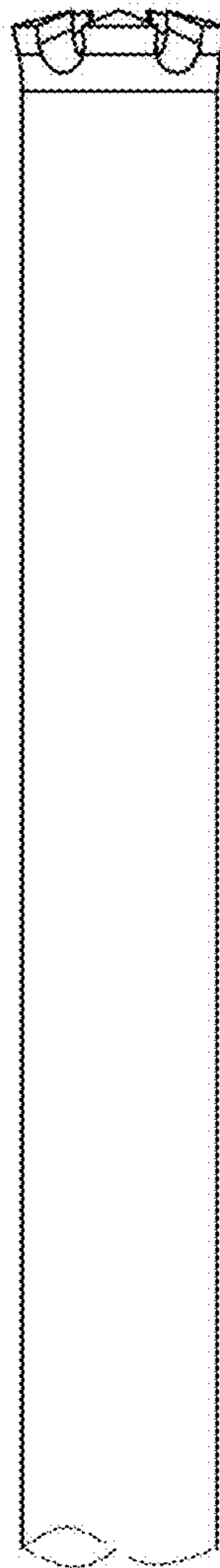


Fig.5

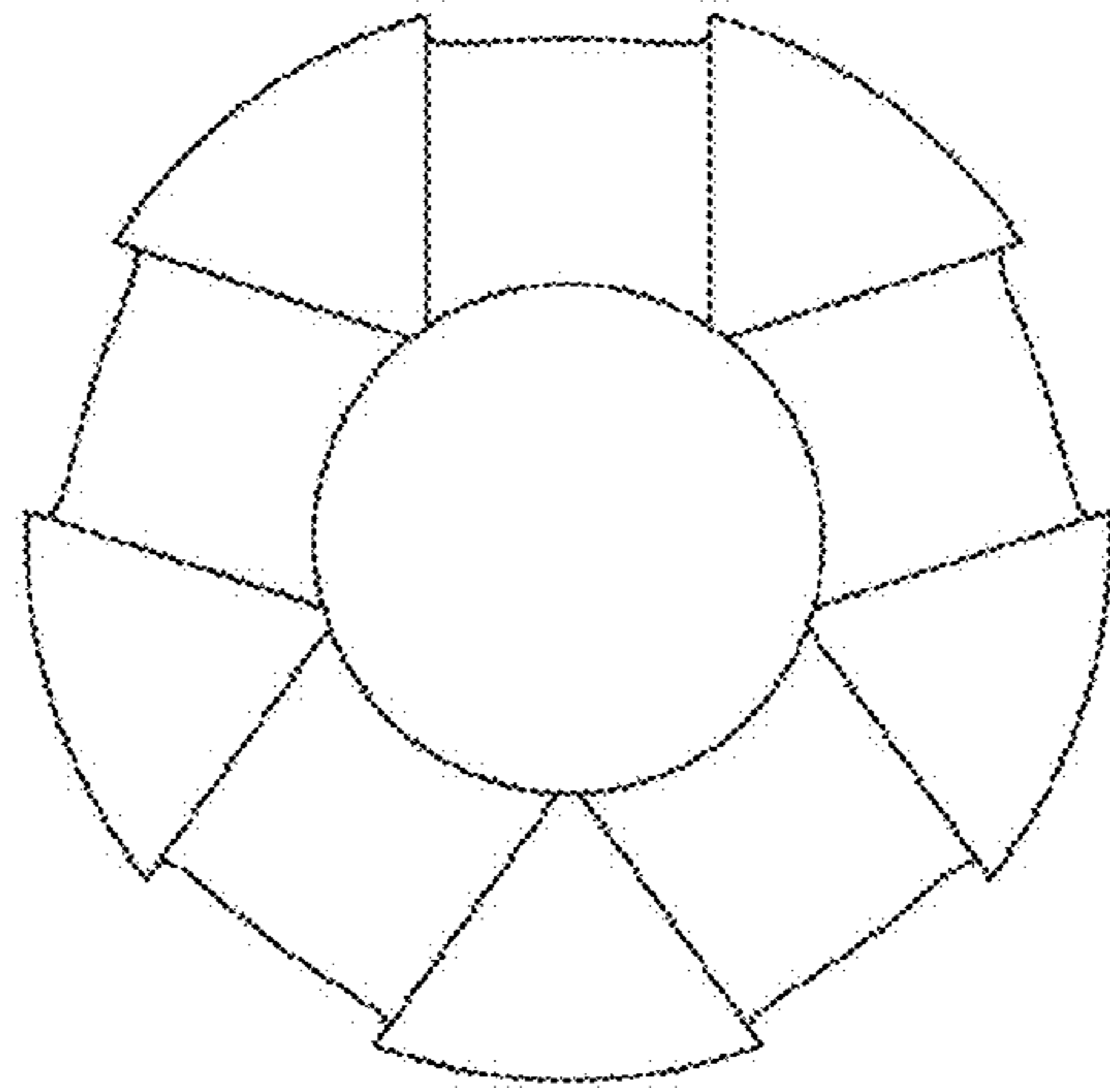


Fig.6

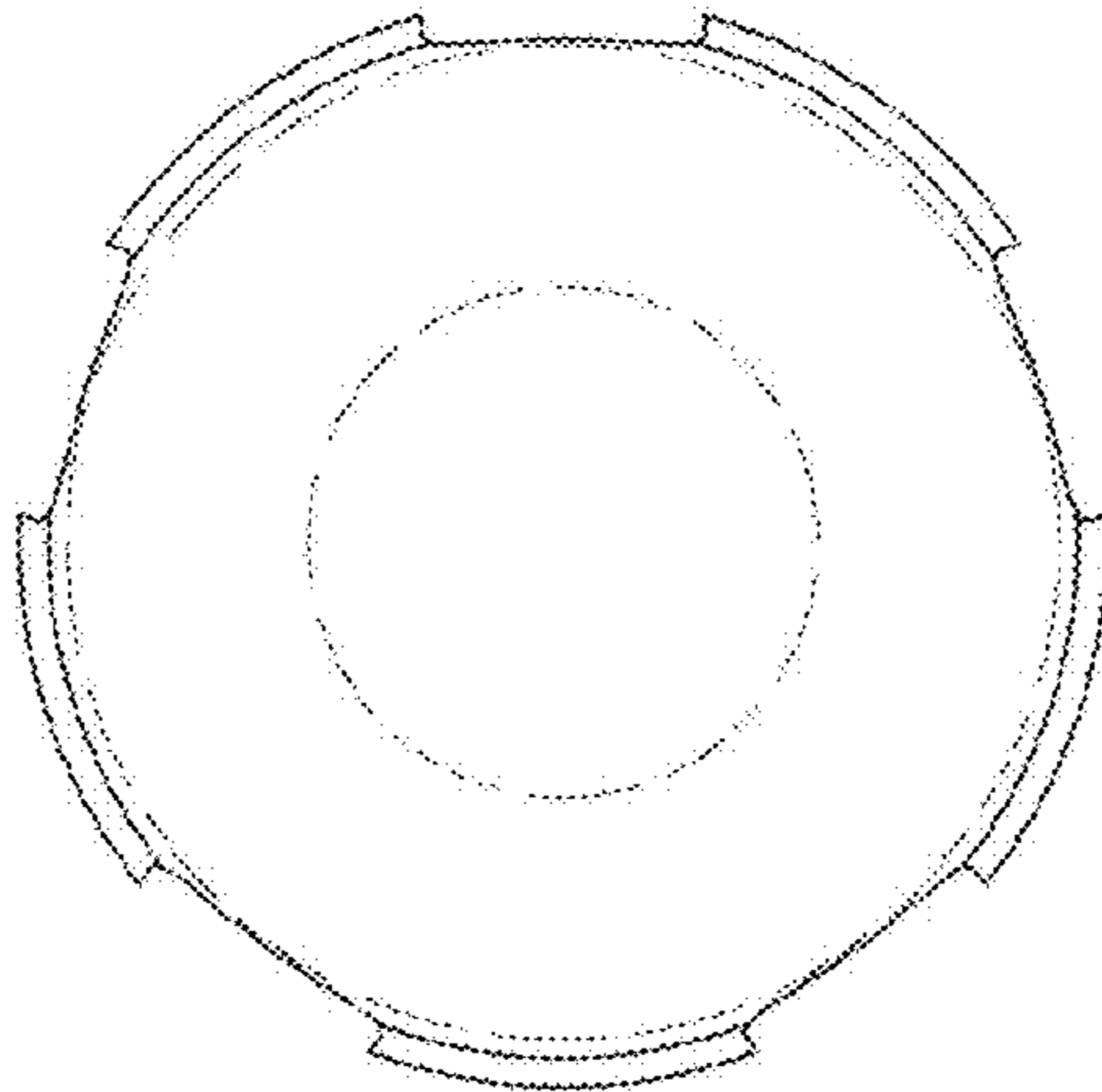


Fig.7

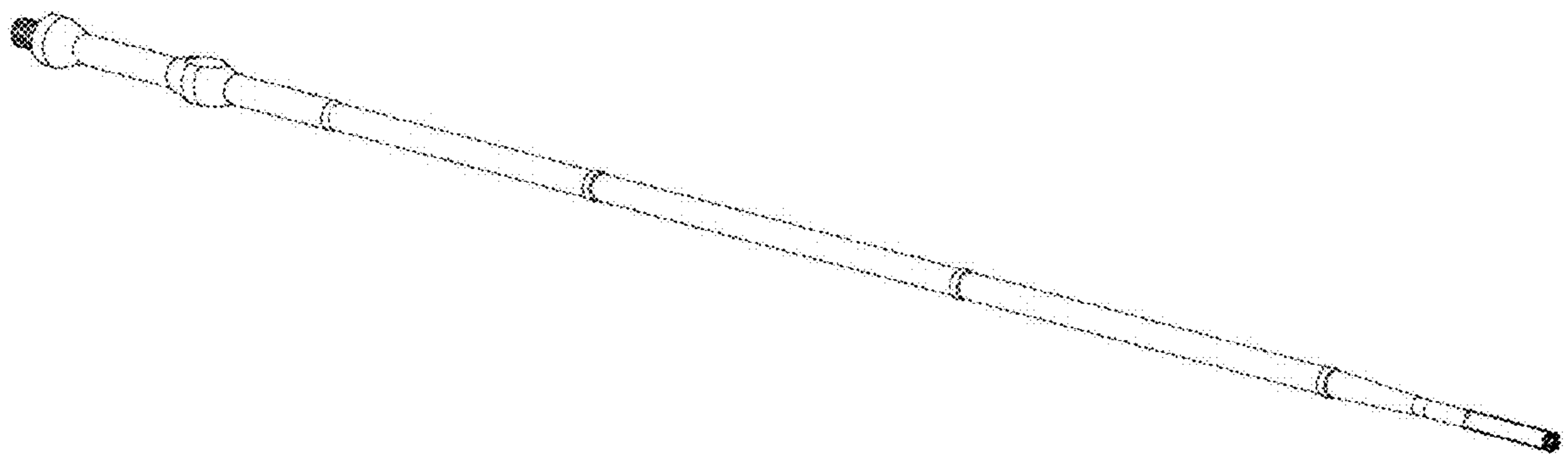


Fig.8