



US00D882783S

(12) **United States Design Patent**
Shelton, IV et al.

(10) **Patent No.:** **US D882,783 S**
(45) **Date of Patent:** **** Apr. 28, 2020**

(54) **HANDLE FOR SURGICAL STAPLER**

(71) Applicant: **ETHICON LLC**, Guaynabo, PR (US)

(72) Inventors: **Frederick E. Shelton, IV**, Hillsboro, OH (US); **Michael J. Vendely**, Lebanon, OH (US); **Jason L. Harris**, Lebanon, OH (US); **Brett E. Swensgard**, West Chester, OH (US); **Michael D. Auld**, Blue Ash, OH (US)

(73) Assignee: **Ethicon LLC**, Guaynabo, PR (US)

(**) Term: **15 Years**

(21) Appl. No.: **29/667,841**

(22) Filed: **Oct. 25, 2018**

Related U.S. Application Data

(62) Division of application No. 29/608,975, filed on Jun. 27, 2017.

(51) **LOC (12) Cl.** **24-02**

(52) **U.S. Cl.**
USPC **D24/145**

(58) **Field of Classification Search**
USPC D24/133, 143, 145-147; D8/49, 50;
D16/200, 211, 221, 229, 243, 247
(Continued)

(56) **References Cited**

U.S. PATENT DOCUMENTS

D191,802 S 11/1961 Beinert
D268,681 S 4/1983 Hanke
(Continued)

FOREIGN PATENT DOCUMENTS

EP 3123951 A1 2/2017
EP 3135216 A1 3/2017
WO WO-2018234903 A1 * 12/2018 A61B 17/068

Primary Examiner — Wan Laymon

Assistant Examiner — Clint A Samuel

(74) *Attorney, Agent, or Firm* — Frost Brown Todd LLC

(57) **CLAIM**

The ornamental design for a handle for surgical stapler, as shown and described.

DESCRIPTION

FIG. 1 is a front perspective view of a handle for a surgical stapler, showing our new design, with a rear screen in a first position;

FIG. 2 is a rear perspective view of the handle for a surgical stapler of FIG. 1, with the rear screen in the first position;

FIG. 3 is a right elevational view of the handle for a surgical stapler of FIG. 1, with the rear screen in the first position;

FIG. 4 is a left elevational view of the handle for a surgical stapler of FIG. 1, with the rear screen in the first position;

FIG. 5 is a front elevational view of the handle for a surgical stapler of FIG. 1, with the rear screen in the first position;

FIG. 6 is a rear elevational view of the handle for a surgical stapler of FIG. 1, with the rear screen in the first position;

FIG. 7 is a top plan view of the handle for a surgical stapler of FIG. 1, with the rear screen in the first position;

FIG. 8 is a bottom plan view of the handle for a surgical stapler of FIG. 1, with the rear screen in the first position;

FIG. 9 is another front perspective view of the handle for a surgical stapler of FIG. 1, with the rear screen in a second position;

FIG. 10 is another rear perspective view of the handle for a surgical stapler of FIG. 1, with the rear screen in the second position;

FIG. 11 is another left elevational view of the handle for a surgical stapler of FIG. 1, with the rear screen in the second position;

FIG. 12 is another right elevational view of the handle for a surgical stapler of FIG. 1, with the rear screen in the second position;

FIG. 13 is another front elevational view of the handle for a surgical stapler of FIG. 1, with the rear screen in the second position;

FIG. 14 is another rear elevational view of the handle for a surgical stapler of FIG. 1, with the rear screen in the second position;

(Continued)

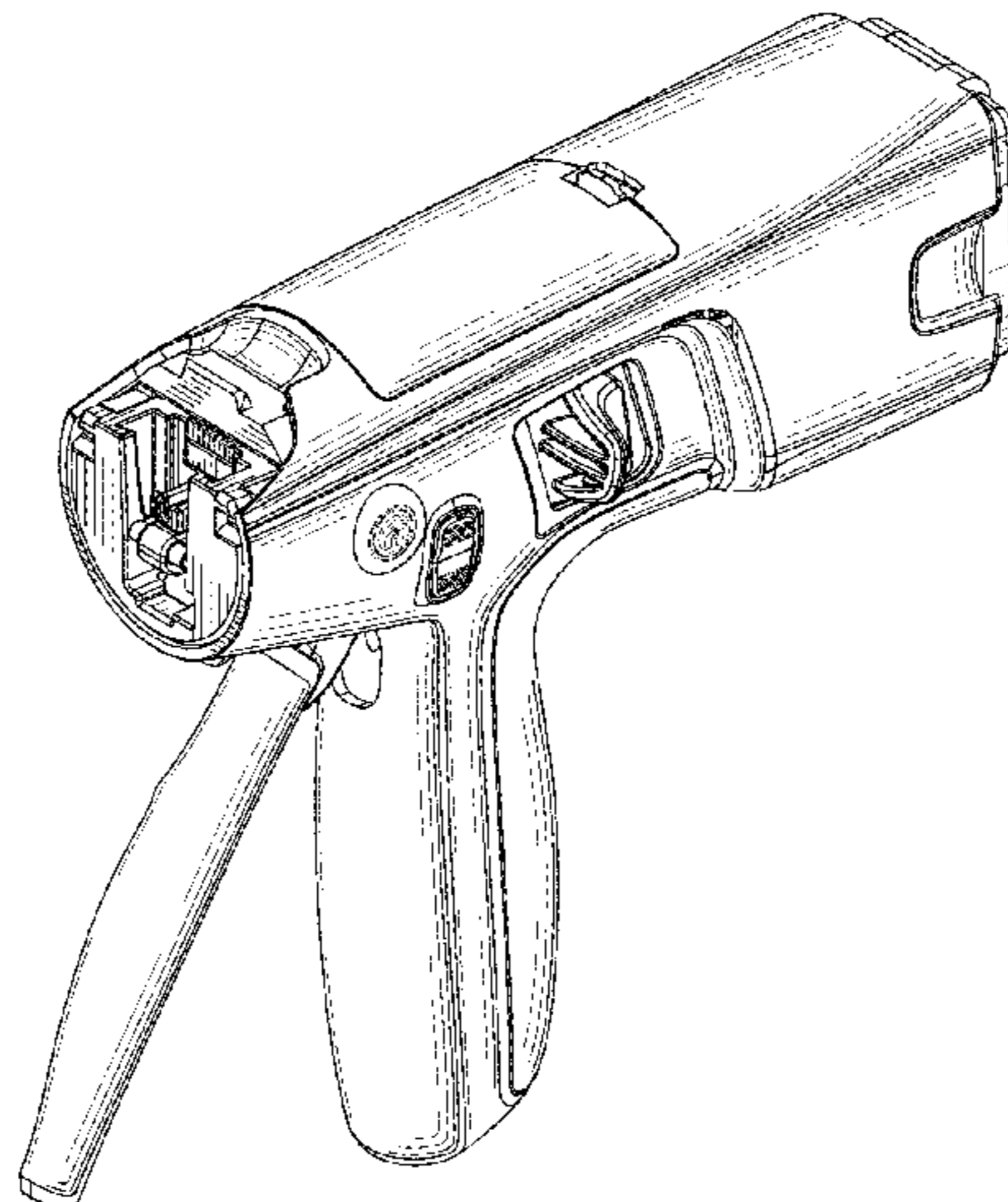


FIG. 15 is another top plan view of the handle for a surgical stapler of FIG. 1, with the rear screen in the second position; and,

FIG. 16 is another bottom plan view of the handle for a surgical stapler of FIG. 1, with the rear screen in the second position.

The portions of the handle for surgical stapler shown in broken lines form no part of the claimed design.

1 Claim, 16 Drawing Sheets

(58) **Field of Classification Search**

CPC A61B 17/00; A61B 17/064; A61B 17/068; A61B 17/0682; A61B 17/0684; A61B 17/115; A61B 17/072; A61B 17/0686; A61B 17/0469; A61B 17/07207; A61B 2017/2925; A61B 2017/00017

See application file for complete search history.

(56) **References Cited**

U.S. PATENT DOCUMENTS

D311,122 S	10/1990	Johnsson et al.
D327,323 S	6/1992	Hunt
D381,077 S	7/1997	Hunt
D540,838 S	4/2007	Aronsson et al.
D650,074 S	12/2011	Hunt et al.
D758,158 S	6/2016	Beukema et al.
D800,904 S	10/2017	Leimbach et al.
D835,785 S	12/2018	Shelton, IV et al.
10,265,065 B2 *	4/2019	Shelton, IV A61B 17/07207
D858,767 S *	9/2019	Baxter, III D24/145
2011/0155785 A1	6/2011	Laurent et al.

2011/0290856 A1	12/2011	Shelton, IV et al.
2014/0239042 A1	8/2014	Simms et al.
2014/0263562 A1	9/2014	Patel et al.
2015/0173789 A1	6/2015	Baxter, III et al.
2015/0272557 A1	10/2015	Overmyer et al.
2015/0297229 A1	10/2015	Schellin et al.
2015/0374373 A1	12/2015	Rector et al.
2017/0055982 A1	3/2017	Zeiner et al.
2017/0056015 A1	3/2017	Harris et al.
2017/0079641 A1	3/2017	Overmyer et al.
2017/0079650 A1	3/2017	Yates et al.
2017/0105731 A1	4/2017	Scheib et al.
2017/0105782 A1	4/2017	Scheib et al.
2017/0119385 A1	5/2017	Shelton, IV et al.
2017/0119386 A1	5/2017	Scheib et al.
2017/0119391 A1	5/2017	Schellin et al.
2017/0189015 A1	7/2017	Adams et al.
2017/0281178 A1	10/2017	Shelton, IV et al.
2017/0281180 A1	10/2017	Morgan et al.
2017/0296169 A1	10/2017	Yates et al.
2017/0296213 A1	10/2017	Swensgard et al.
2017/0303926 A1	10/2017	Scheib et al.
2017/0303952 A1	10/2017	Nativ et al.
2017/0311944 A1	11/2017	Morgan et al.
2018/0000483 A1	1/2018	Leimbach et al.
2018/0085117 A1	3/2018	Shelton, IV et al.
2018/0095487 A1	4/2018	Leimbach et al.
2018/0168602 A1	6/2018	Bakos et al.
2018/0168634 A1	6/2018	Harris et al.
2018/0168649 A1	6/2018	Shelton, IV et al.
2019/0046187 A1 *	2/2019	Yates A61B 17/072
2019/0192156 A1 *	6/2019	Simms A61B 17/2833
2019/0192157 A1 *	6/2019	Scott A61B 17/2833
2019/0192158 A1 *	6/2019	Scott A61B 17/2816
2019/0239873 A1 *	8/2019	Laurent A61B 17/068
2019/0290279 A1 *	9/2019	Harris A61B 17/068
2019/0290281 A1 *	9/2019	Aronhalt A61B 17/068

* cited by examiner

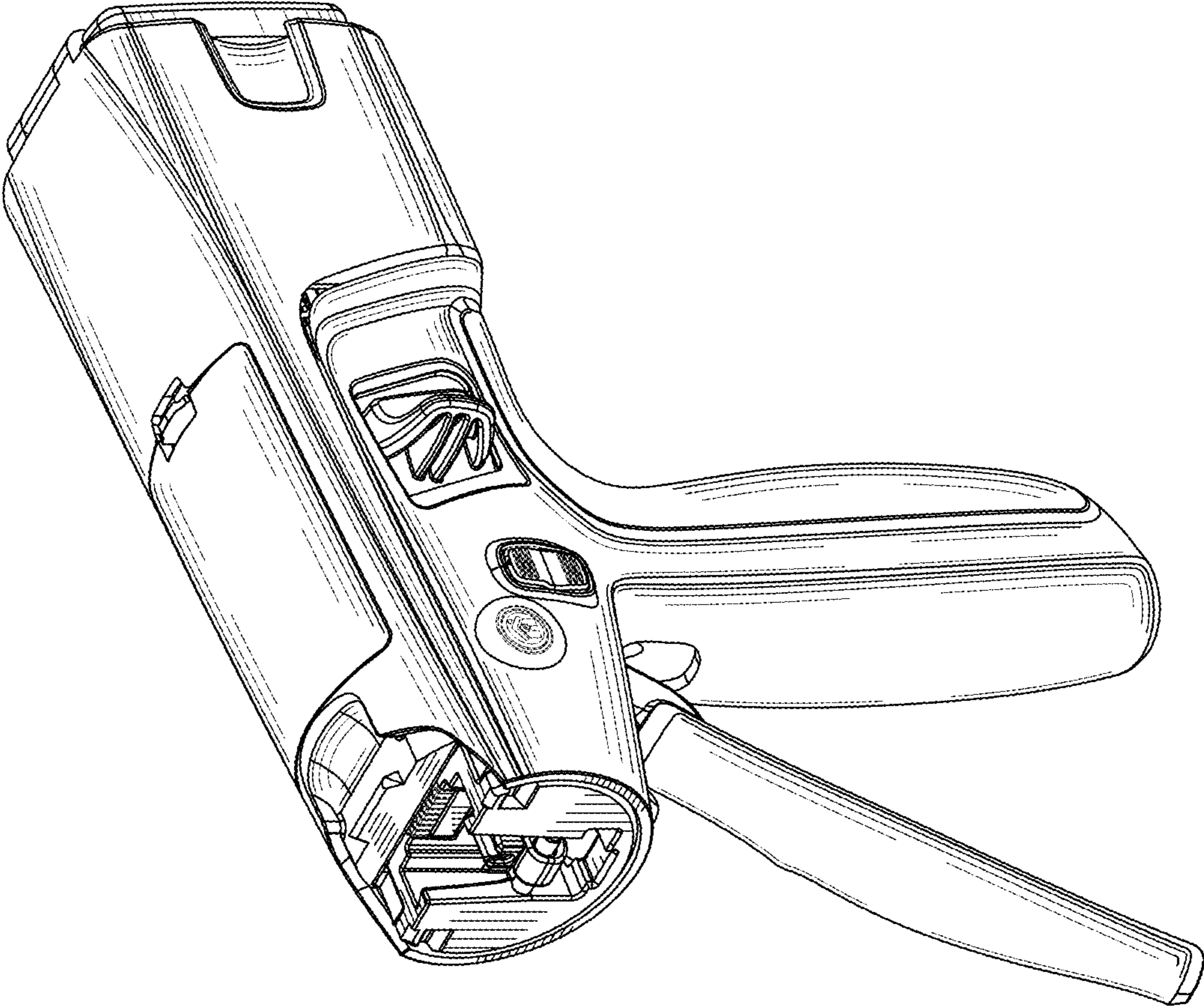


Fig. 1

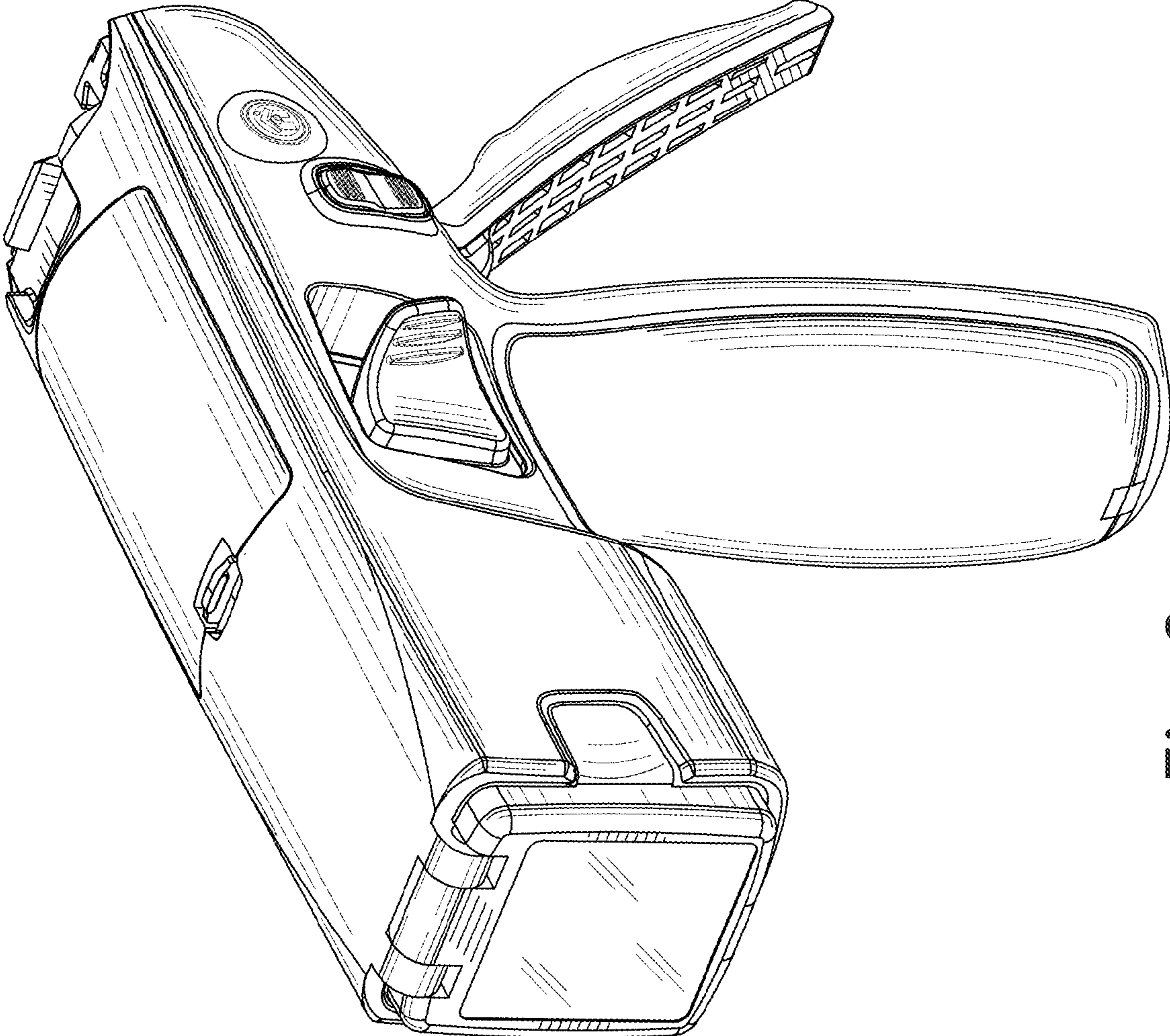


Fig. 2

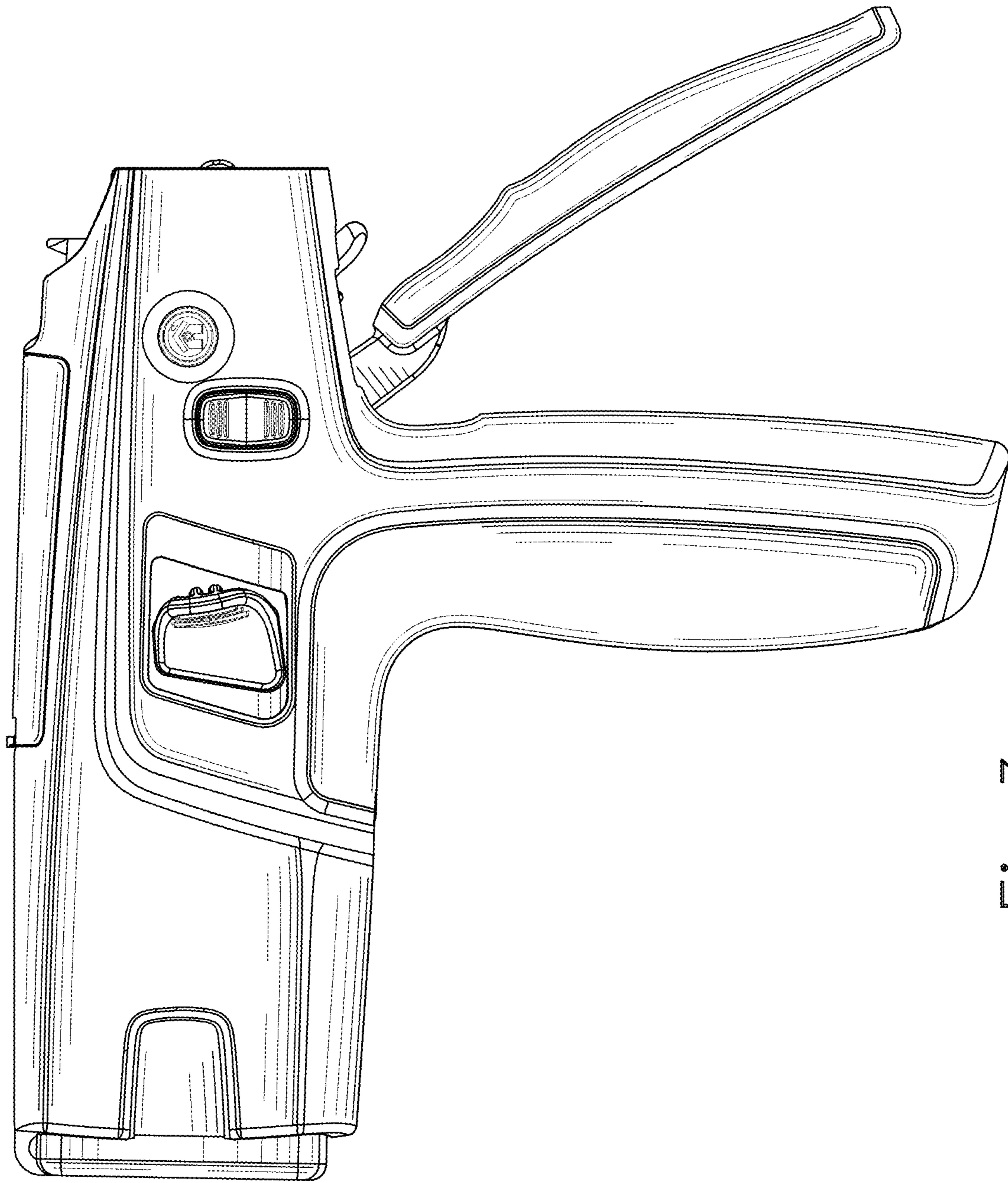


Fig. 3

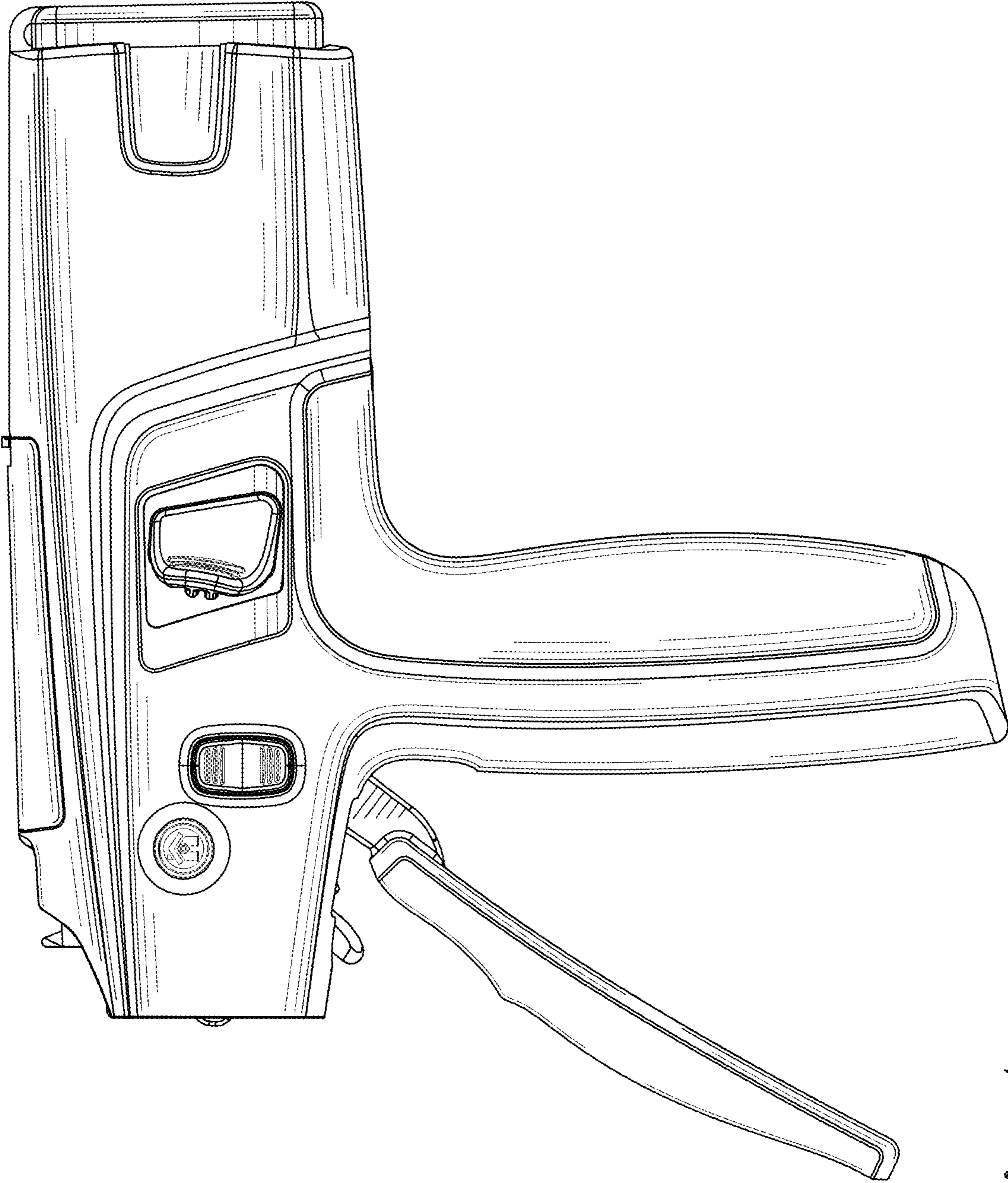


Fig. 4

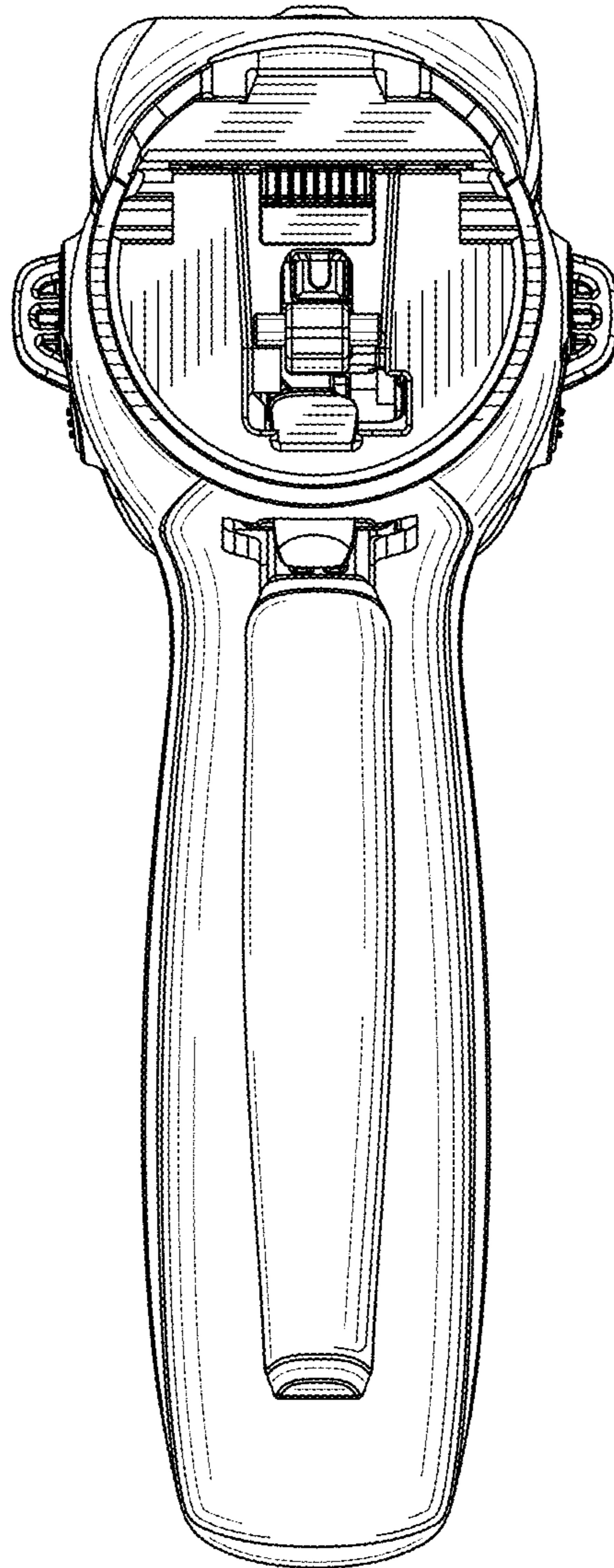


Fig.5

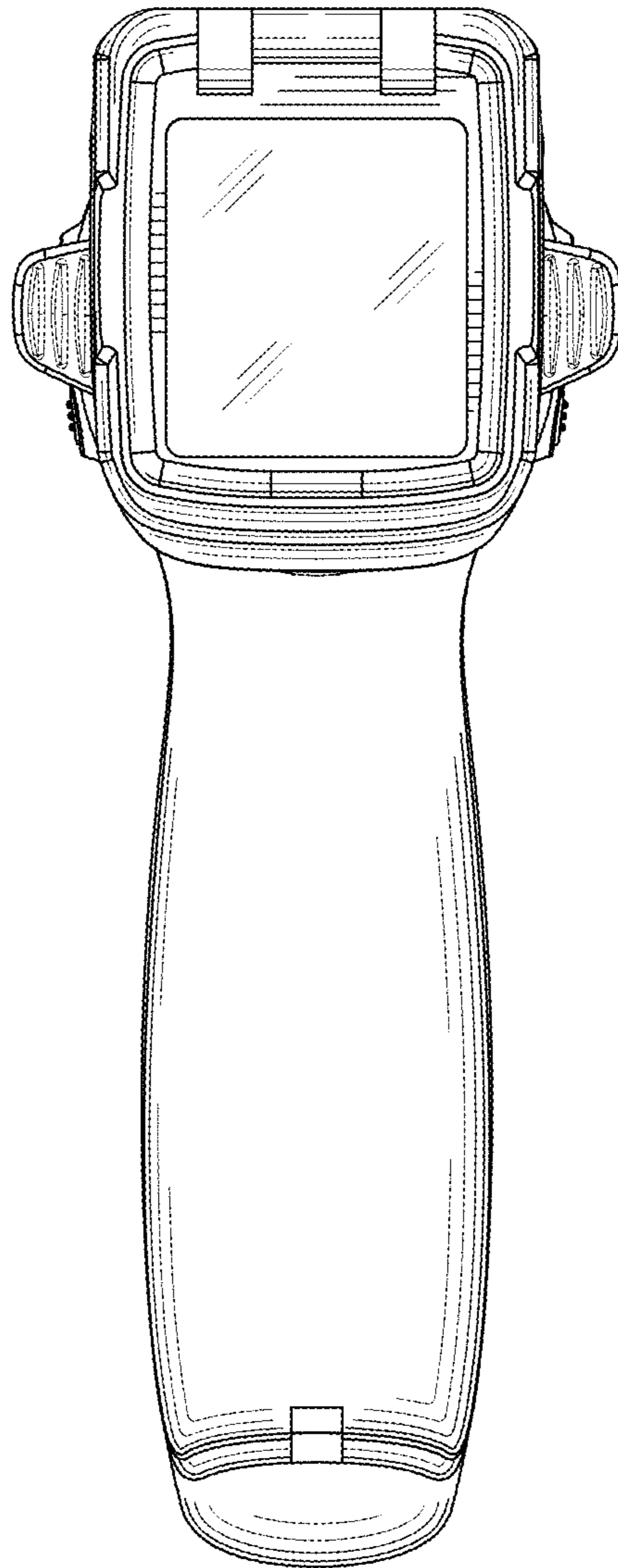


Fig. 6

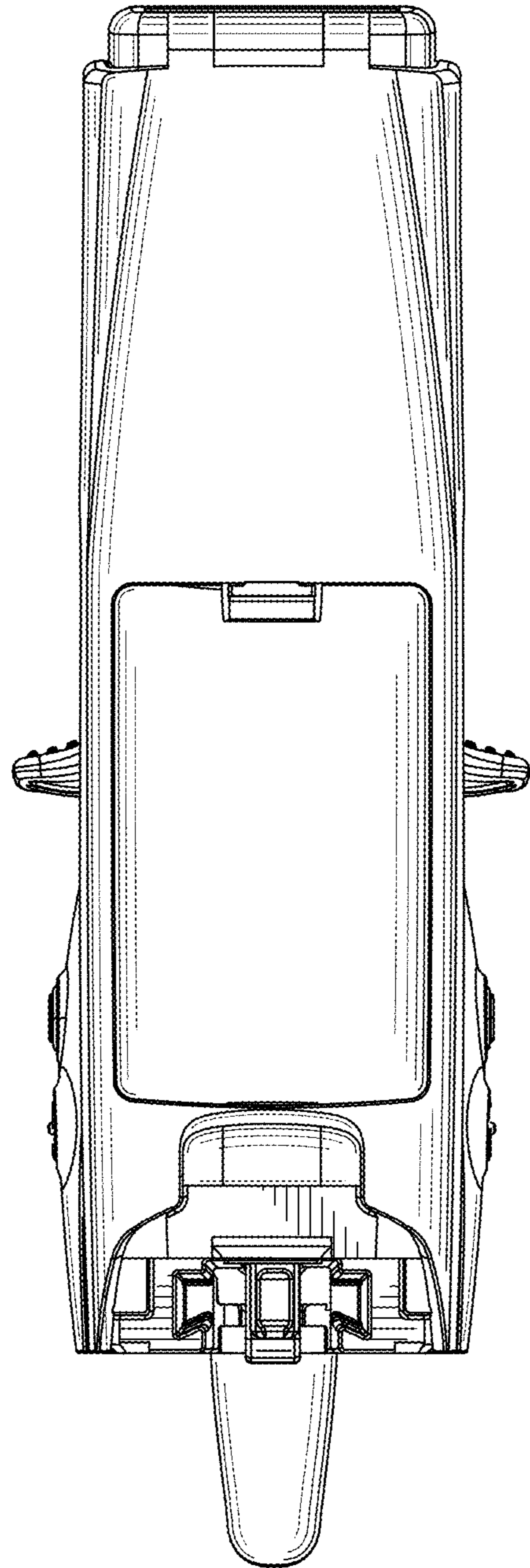


Fig. 7

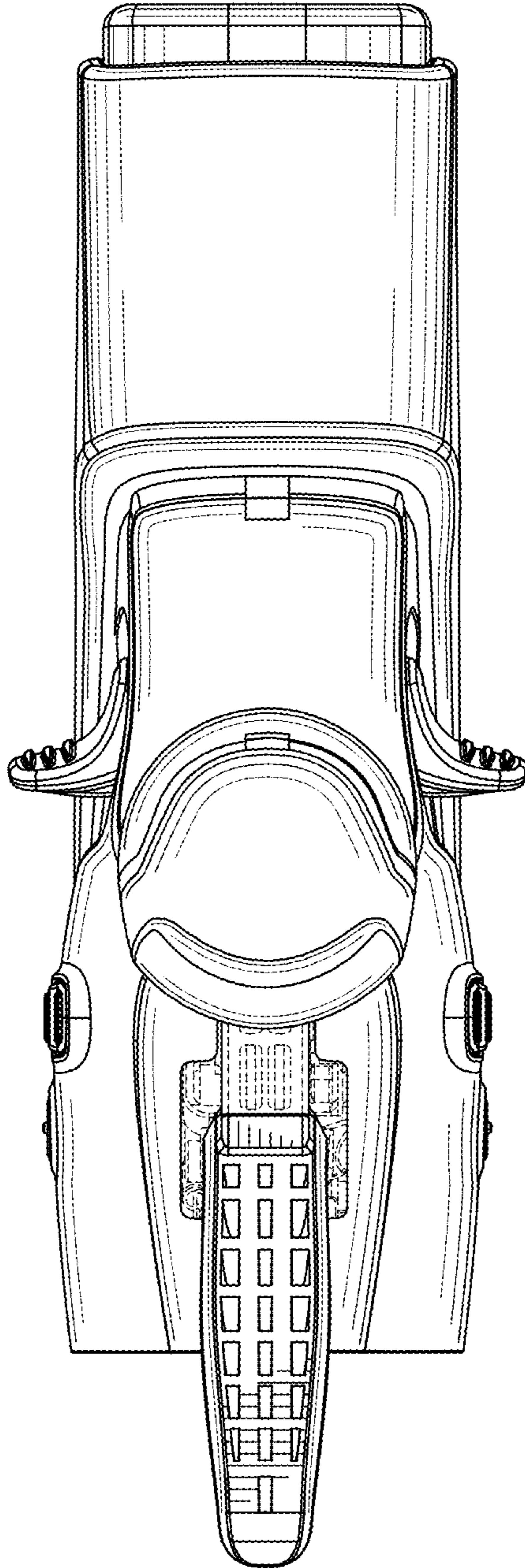


Fig. 8

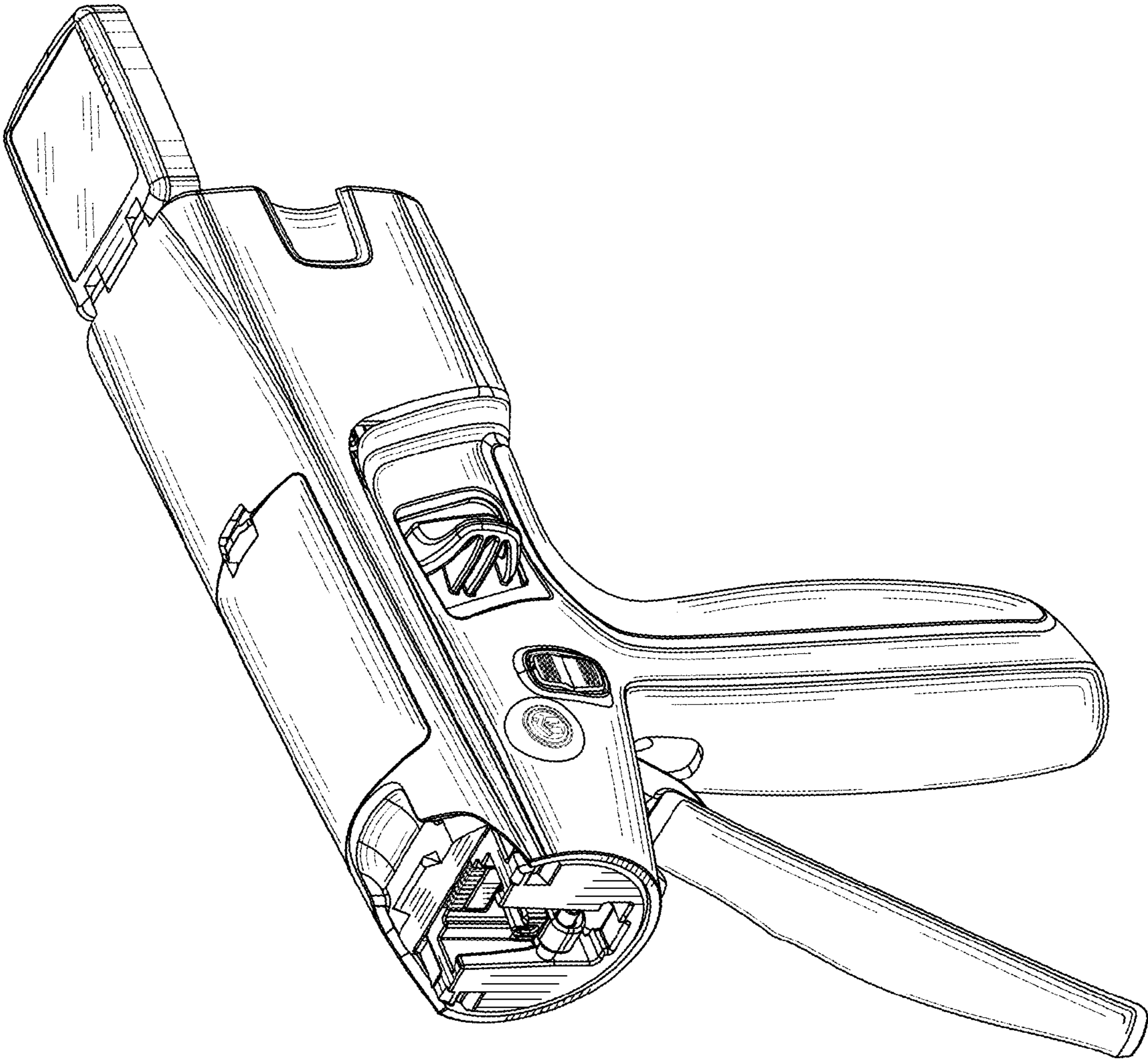


Fig. 9

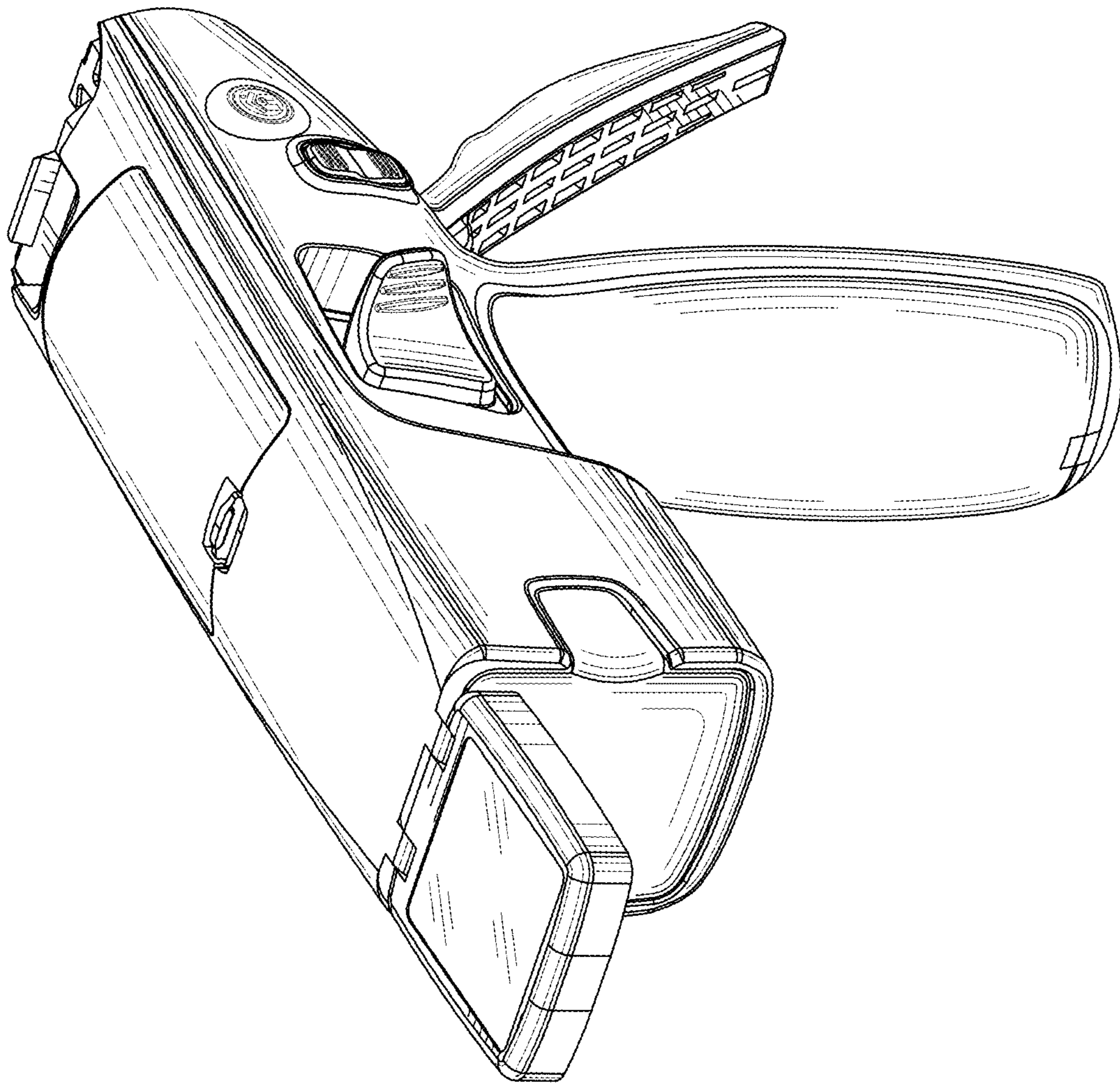


Fig. 10

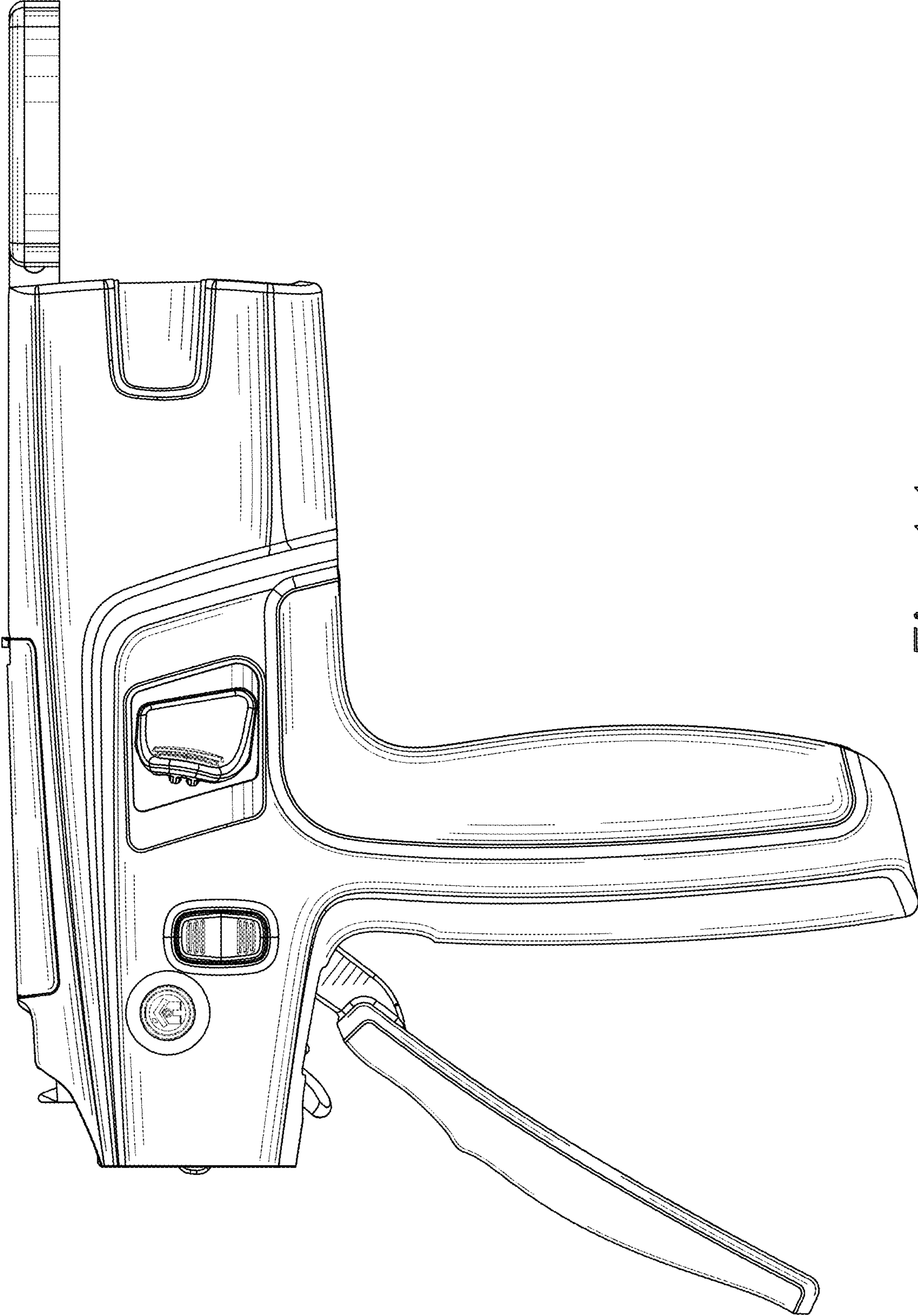


Fig. 11

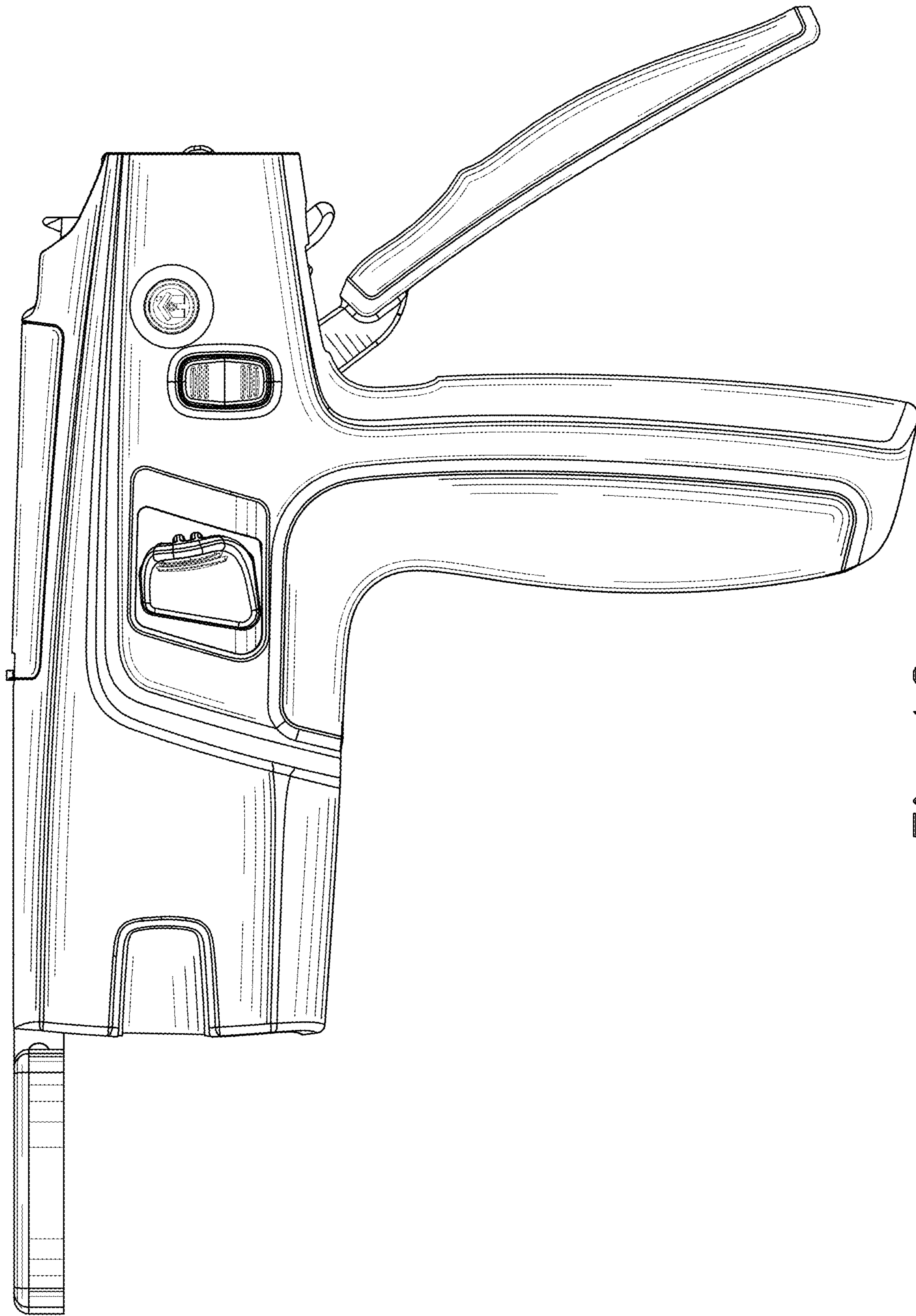


Fig. 12

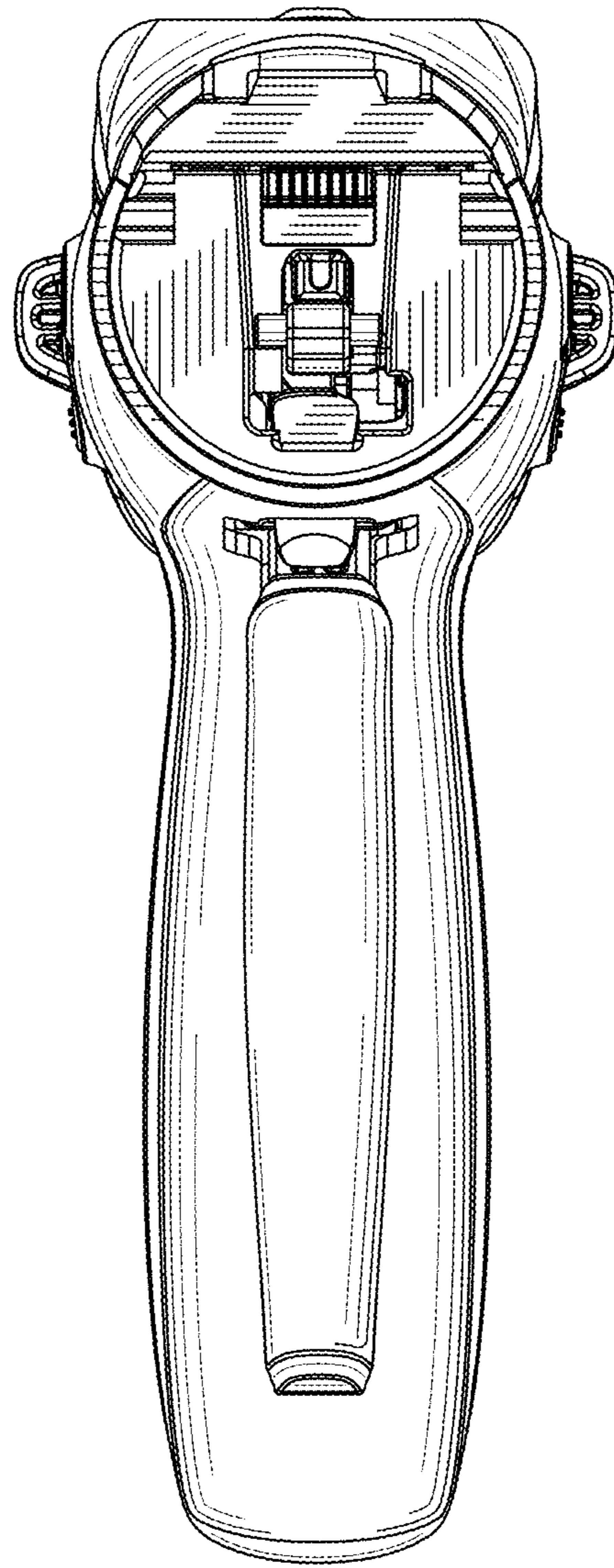


Fig. 13

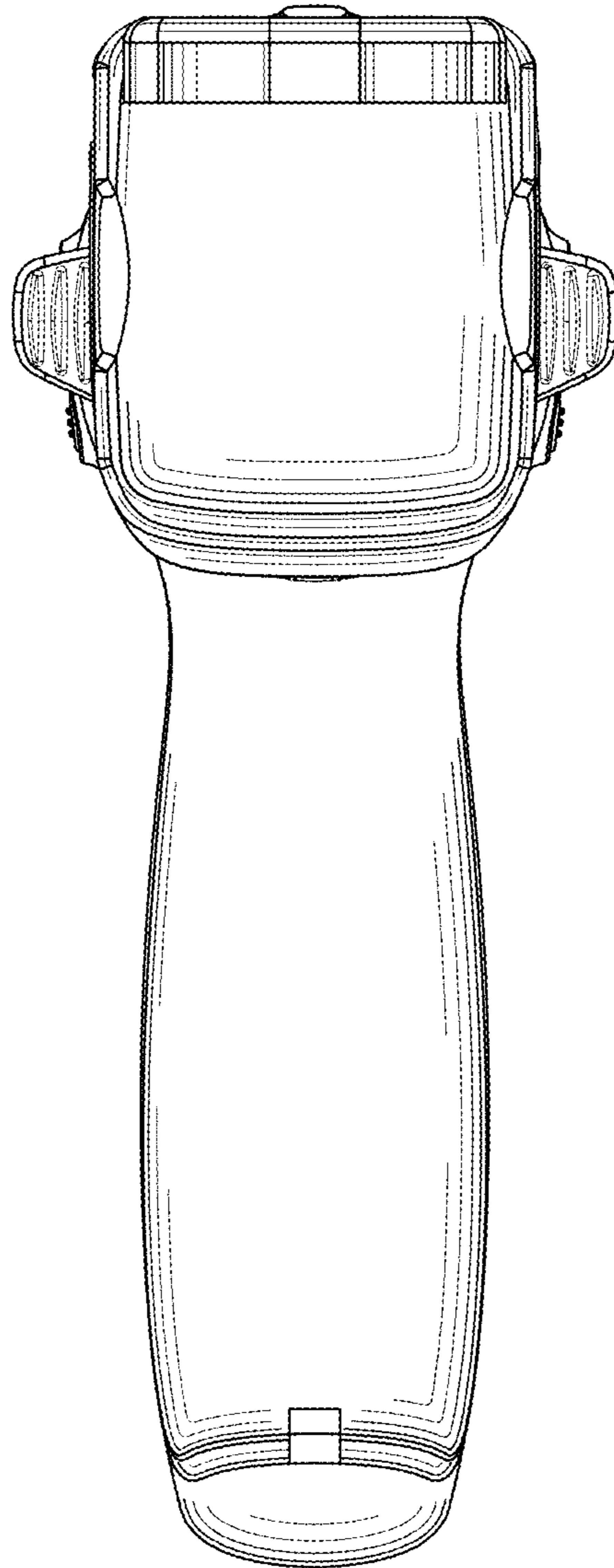


Fig. 14

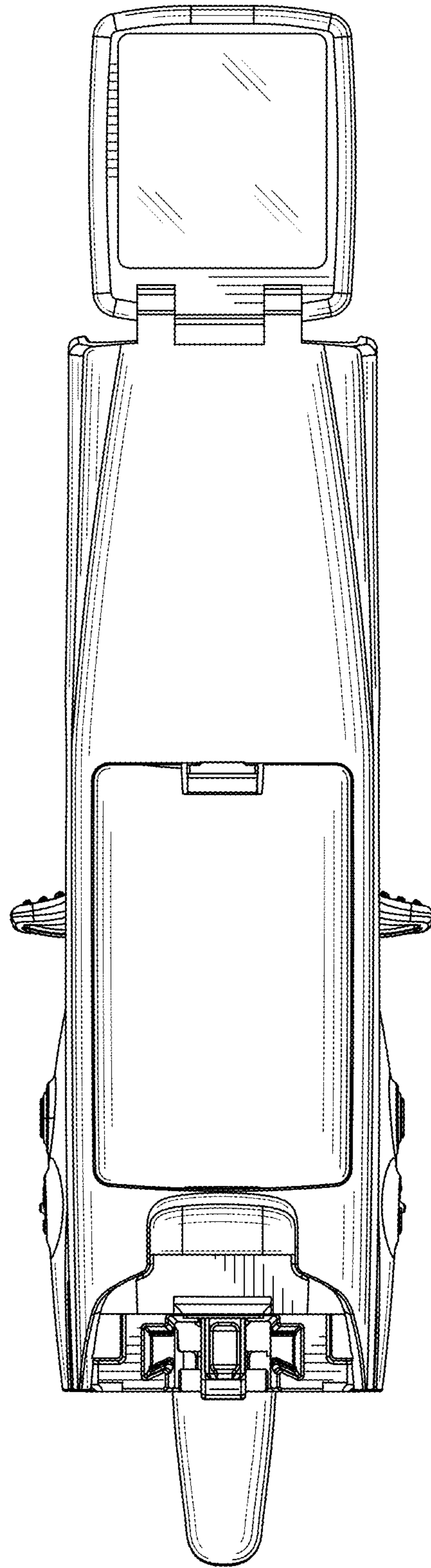


Fig. 15

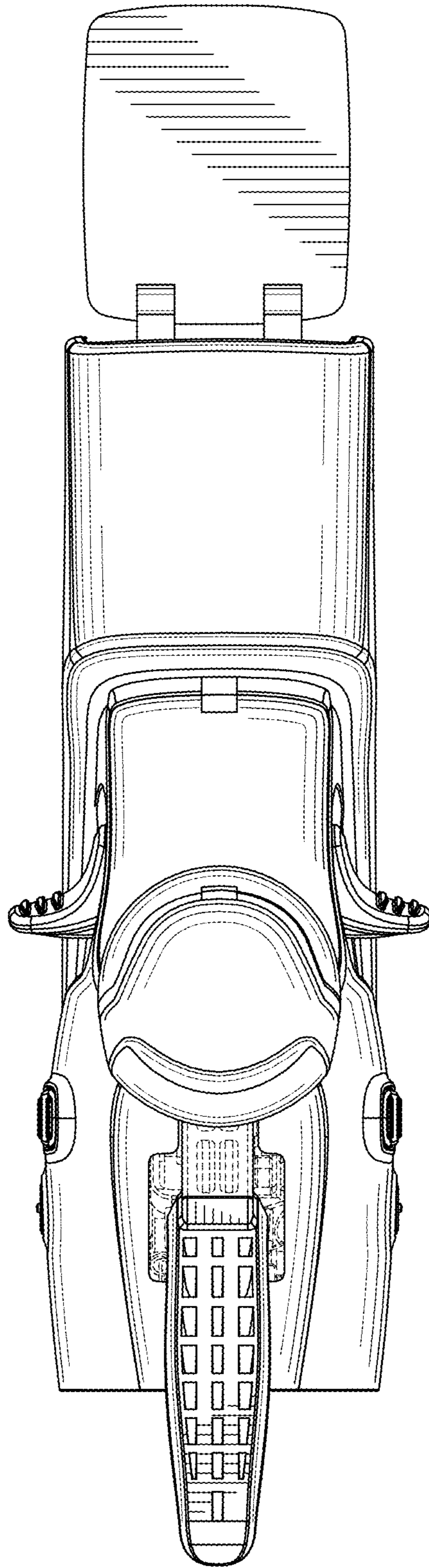


Fig. 16