



US00D882781S

(12) **United States Design Patent**
Rustamzadeh

(10) **Patent No.:** **US D882,781 S**

(45) **Date of Patent:** **** Apr. 28, 2020**

(54) **SURGICAL SPINAL RETRACTOR**

(71) Applicant: **Edward Rustamzadeh**, San Jose, CA
(US)

(72) Inventor: **Edward Rustamzadeh**, San Jose, CA
(US)

(**) Term: **15 Years**

(21) Appl. No.: **29/676,525**

(22) Filed: **Jan. 11, 2019**

(51) **LOC (12) Cl.** **24-02**

(52) **U.S. Cl.**
USPC **D24/135**

(58) **Field of Classification Search**
USPC D24/133, 135, 140
CPC A61B 17/1757; A61B 17/1655; A61B
17/1735; A61B 17/0206; A61B
2017/0256; A61B 2034/2055; A61B
34/20
See application file for complete search history.

(56) **References Cited**

U.S. PATENT DOCUMENTS

- 5,052,373 A * 10/1991 Michelson A61B 17/0206
600/217
- D352,111 S * 11/1994 Watkins D10/64
- 5,363,841 A * 11/1994 Coker A61B 17/0206
600/211
- D361,381 S * 8/1995 Koros D24/135
- 5,776,054 A * 7/1998 Bobra A61B 17/0206
600/210
- D399,955 S * 10/1998 Koros D24/135
- D401,335 S * 11/1998 Koros D24/133
- D415,274 S * 10/1999 Koros D24/135
- D422,705 S * 4/2000 Koros D24/135
- D443,359 S * 6/2001 Nathanson D24/135
- D448,080 S * 9/2001 Moscarelli D24/135
- D457,956 S * 5/2002 Koros D24/135
- D560,128 S * 1/2008 Diederich D10/73

- D600,807 S * 9/2009 Dienst D24/140
- D623,292 S * 9/2010 Kubota D24/140
- D638,544 S * 5/2011 Koenigsberger D24/140
- D642,680 S * 8/2011 Brucker D24/133
- 8,540,719 B2 * 9/2013 Peukert A61B 17/7083
606/103
- D768,853 S * 10/2016 Nino D24/133
- 10,363,023 B1 * 7/2019 Rustamzadeh ... A61B 17/0206
- 10,426,452 B1 * 10/2019 Rustamzadeh A61N 1/00
- 10,463,355 B1 * 11/2019 Rustamzadeh A61N 1/00
- 2014/0135927 A1 * 5/2014 Pavlov A61F 2/4455
623/17.11
- 2016/0287236 A1 * 10/2016 Garcia-Bengochea
A61F 2/4611

(Continued)

FOREIGN PATENT DOCUMENTS

WO D202893-001 * 11/2019

Primary Examiner — Bridget L Eland

(74) *Attorney, Agent, or Firm* — James A. Sheridan;
Sheridan Law, LLC

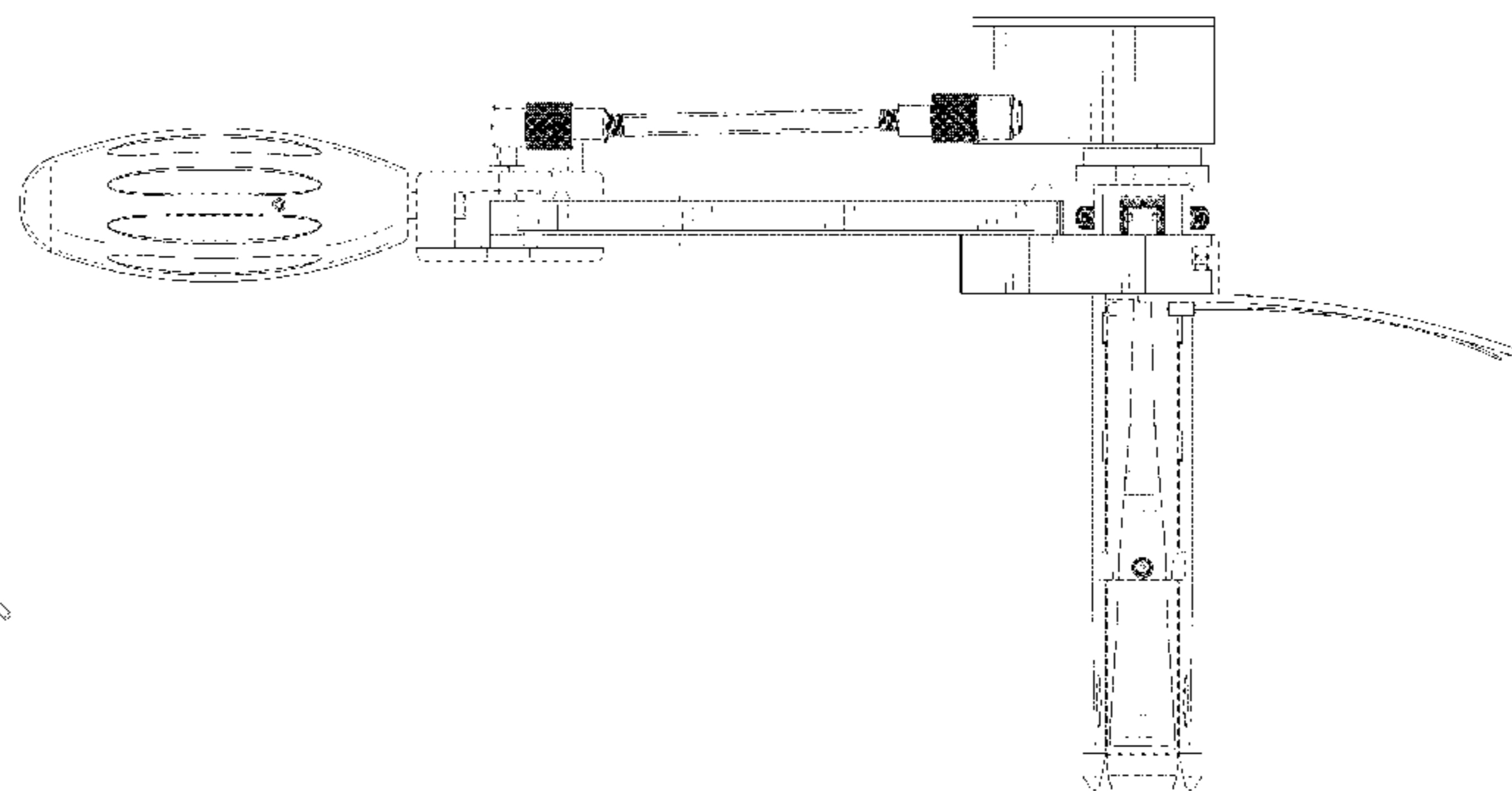
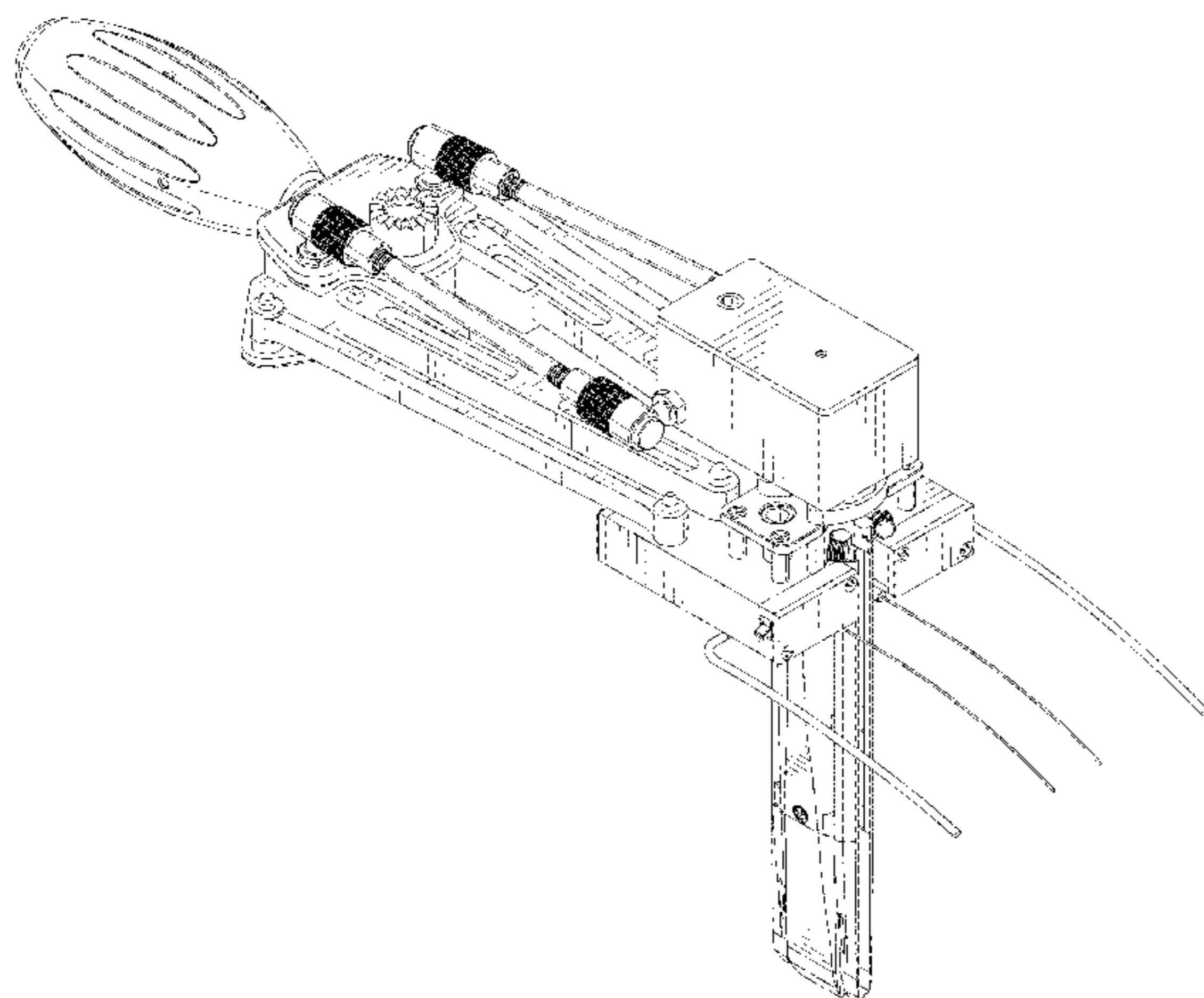
(57) **CLAIM**

I claim the ornamental design for a surgical spinal retractor,
as shown and described.

DESCRIPTION

FIG. 1 is a perspective view of a surgical spinal retractor,
showing my new design;
FIG. 2 is a right side elevational view of the surgical spinal
retractor;
FIG. 3 is a left side elevational view of the surgical spinal
retractor;
FIG. 4 is a top plan view of the surgical spinal retractor;
FIG. 5 is a bottom plan view of the surgical spinal retractor;
FIG. 6 is a rear elevational view of the surgical spinal
retractor; and,
FIG. 7 is a front elevational view of the surgical spinal
retractor.

1 Claim, 7 Drawing Sheets



(56)

References Cited

U.S. PATENT DOCUMENTS

2018/0206834 A1* 7/2018 Villamil A61B 17/025

* cited by examiner

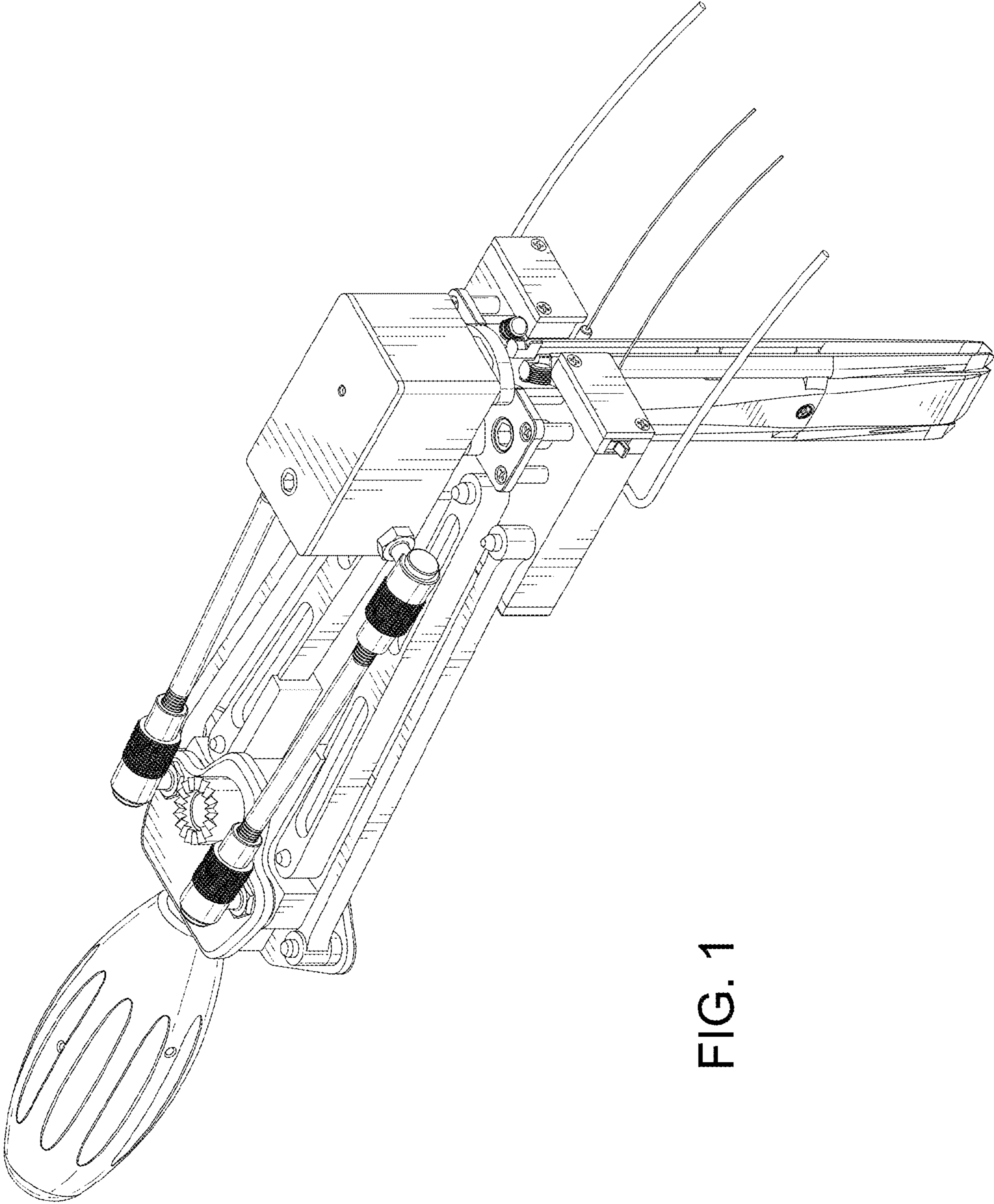


FIG. 1

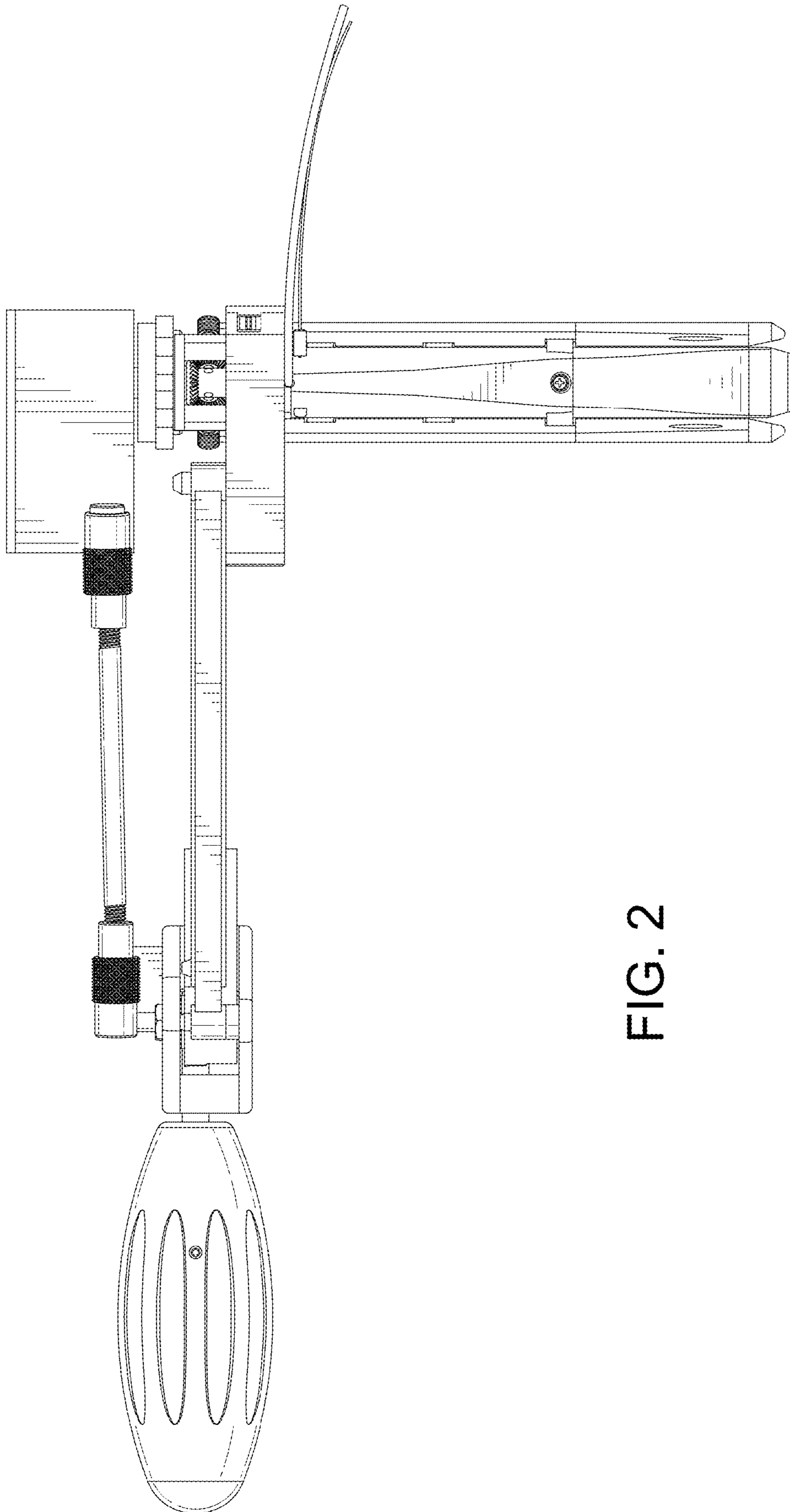


FIG. 2

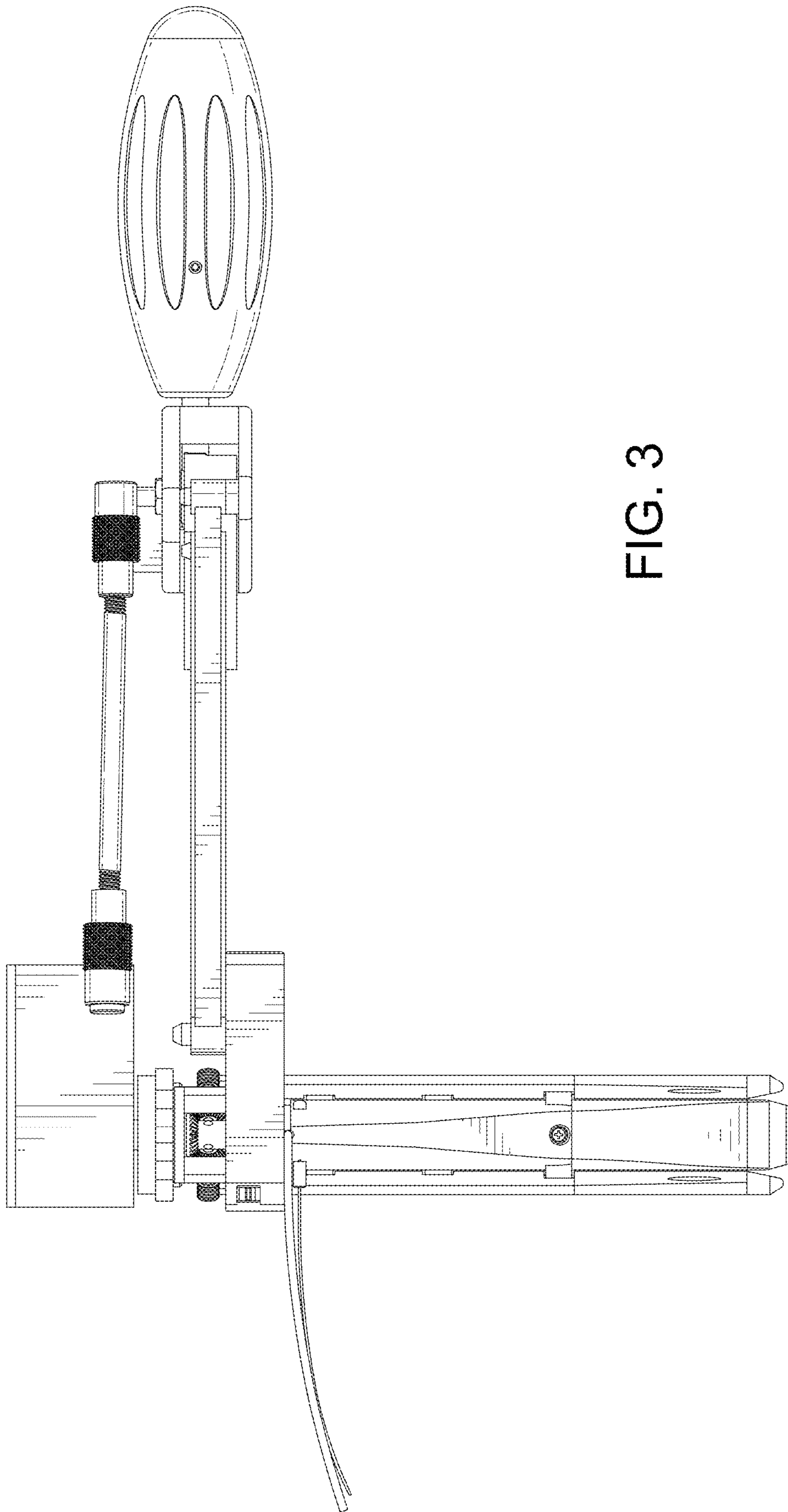


FIG. 3

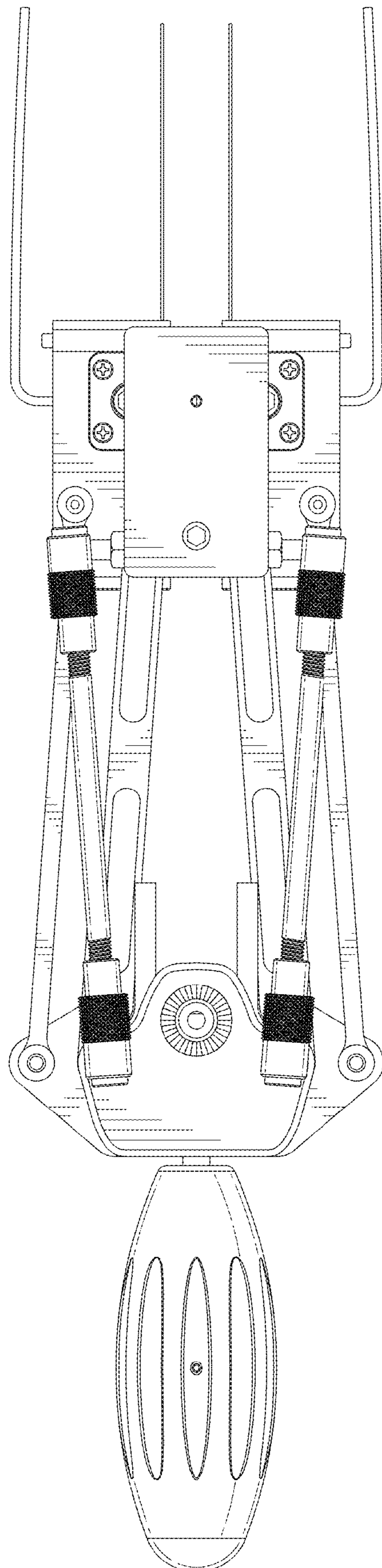


FIG. 4

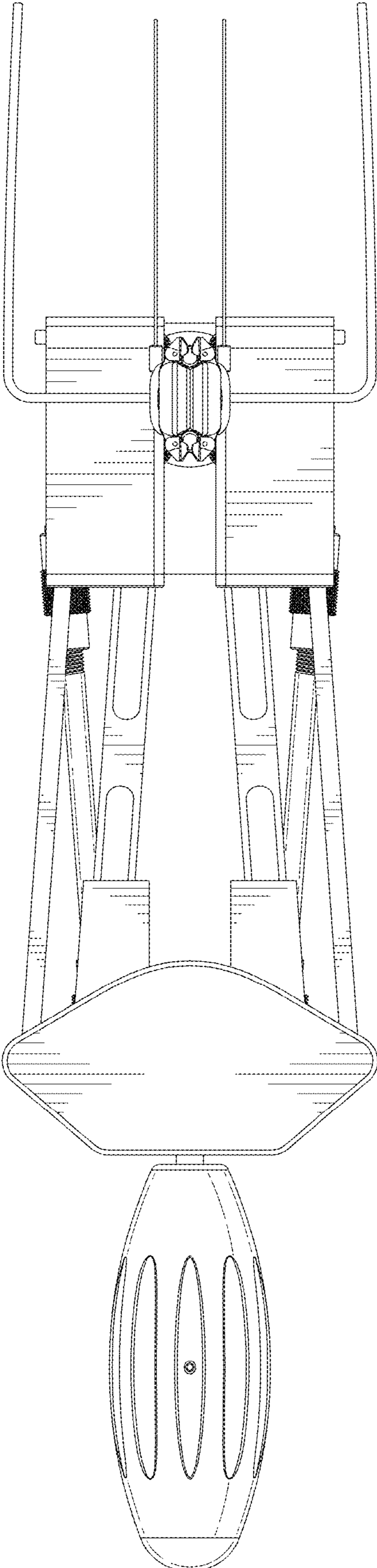


FIG. 5

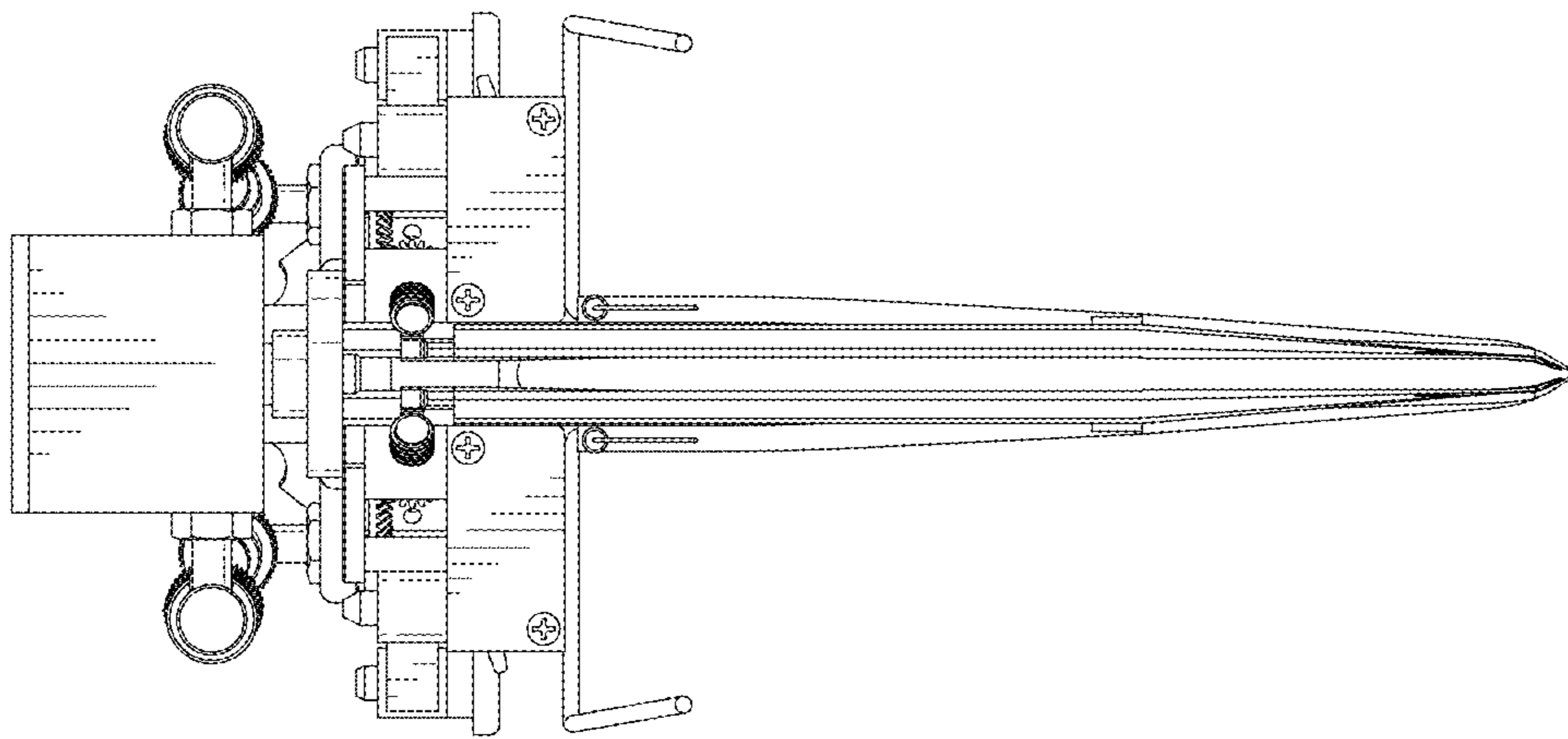


FIG. 6

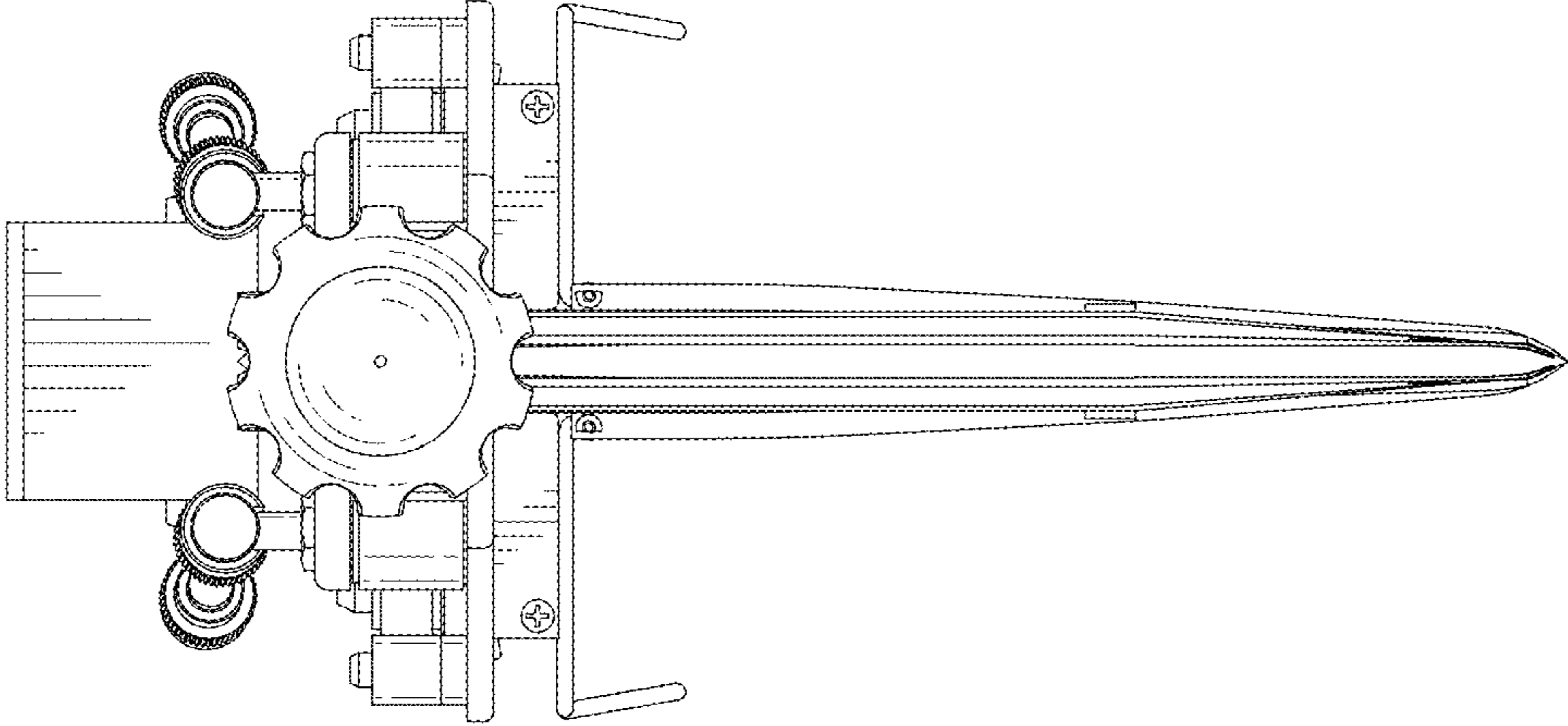


FIG. 7