



US00D882779S

(12) **United States Design Patent**
Ehteshami

(10) **Patent No.:** **US D882,779 S**

(45) **Date of Patent:** **** Apr. 28, 2020**

- (54) **SLAPHAMMER HANDLE**
- (71) Applicant: **Additive Implants, Inc.**, Phoenix, AZ (US)
- (72) Inventor: **John R. Ehteshami**, Paradise Valley, AZ (US)
- (73) Assignee: **Additive Implants, Inc.**, Phoenix, AZ (US)
- (**) Term: **15 Years**
- (21) Appl. No.: **29/672,726**
- (22) Filed: **Dec. 7, 2018**
- (51) **LOC (12) Cl.** **24-02**
- (52) **U.S. Cl.**
USPC **D24/133**
- (58) **Field of Classification Search**
USPC D24/108, 112, 113–117, 127, 133, 134, D24/136, 137, 138, 143, 145, 200; D8/14, 16, 19, 21, 82, 83, 84, 85, 86, D8/107, 34, 30, 303, 314, 372, 374, 394, D8/77
CPC .. A61M 25/0136; A61B 17/00; A61B 17/921; A61B 2017/00398; A61F 2/4603
See application file for complete search history.

- (56) **References Cited**
U.S. PATENT DOCUMENTS
D632,787 S * 2/2011 Tenger D24/133
D641,871 S * 7/2011 Tenger D24/133
D649,633 S * 11/2011 Claypool D24/133

D658,026 S *	4/2012	Dale	D8/107
D715,930 S *	10/2014	Melsheimer	D24/130
D720,070 S *	12/2014	Khalaj	D24/133
D747,801 S *	1/2016	Kwon	D24/133
D759,816 S *	6/2016	Ingram	D24/137
D761,424 S *	7/2016	So	D24/133
D786,430 S *	5/2017	Davies	D24/144
D814,030 S *	3/2018	Moran	D24/138
D819,812 S *	6/2018	Schaer	D24/138
D829,898 S *	10/2018	Schaer	D24/133
D842,987 S *	3/2019	Theobald	D24/133
D846,967 S *	4/2019	Werdowatz	D8/303
D859,949 S *	9/2019	Wason	D8/61

* cited by examiner

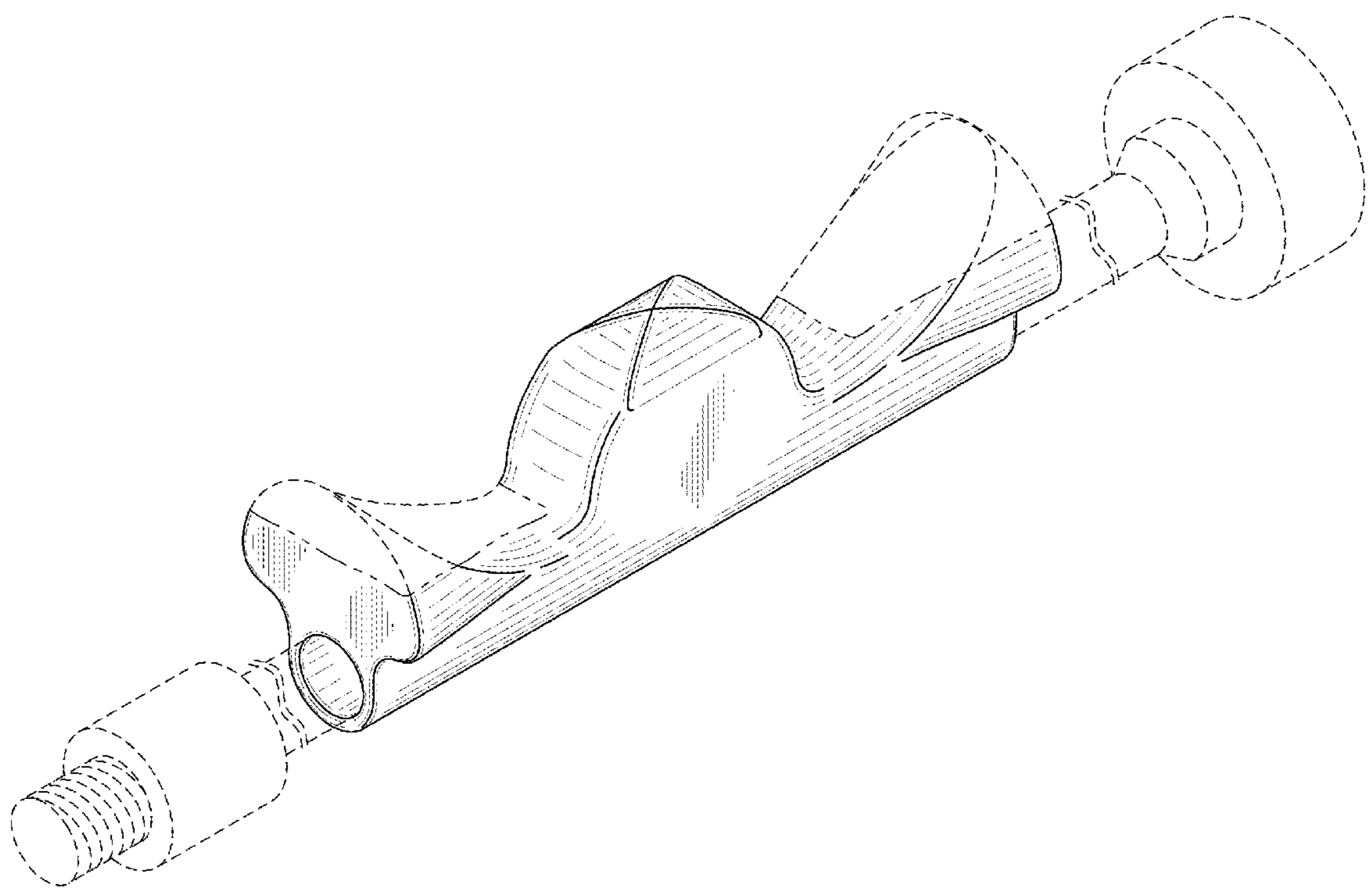
Primary Examiner — Rosemary K Tarcza
Assistant Examiner — Yolanda Robinson
 (74) *Attorney, Agent, or Firm* — Maywood IP Law; G. Jo Hays; David W. Meibos

(57) **CLAIM**
 The ornamental design for a slaphammer handle, as shown and described.

DESCRIPTION

FIG. 1 is a side perspective view of slaphammer handle; FIG. 2 is a side view of the slaphammer handle of FIG. 1; FIG. 3 is a front view of the slaphammer handle of FIG. 1; FIG. 4 is a bottom view of the slaphammer handle of FIG. 1; and, FIG. 5 is a top view of the slaphammer handle of FIG. 1. The broken lines in the drawings are intended to show portions of the device that are not being claimed, and thus form no part of the claimed design.

1 Claim, 3 Drawing Sheets



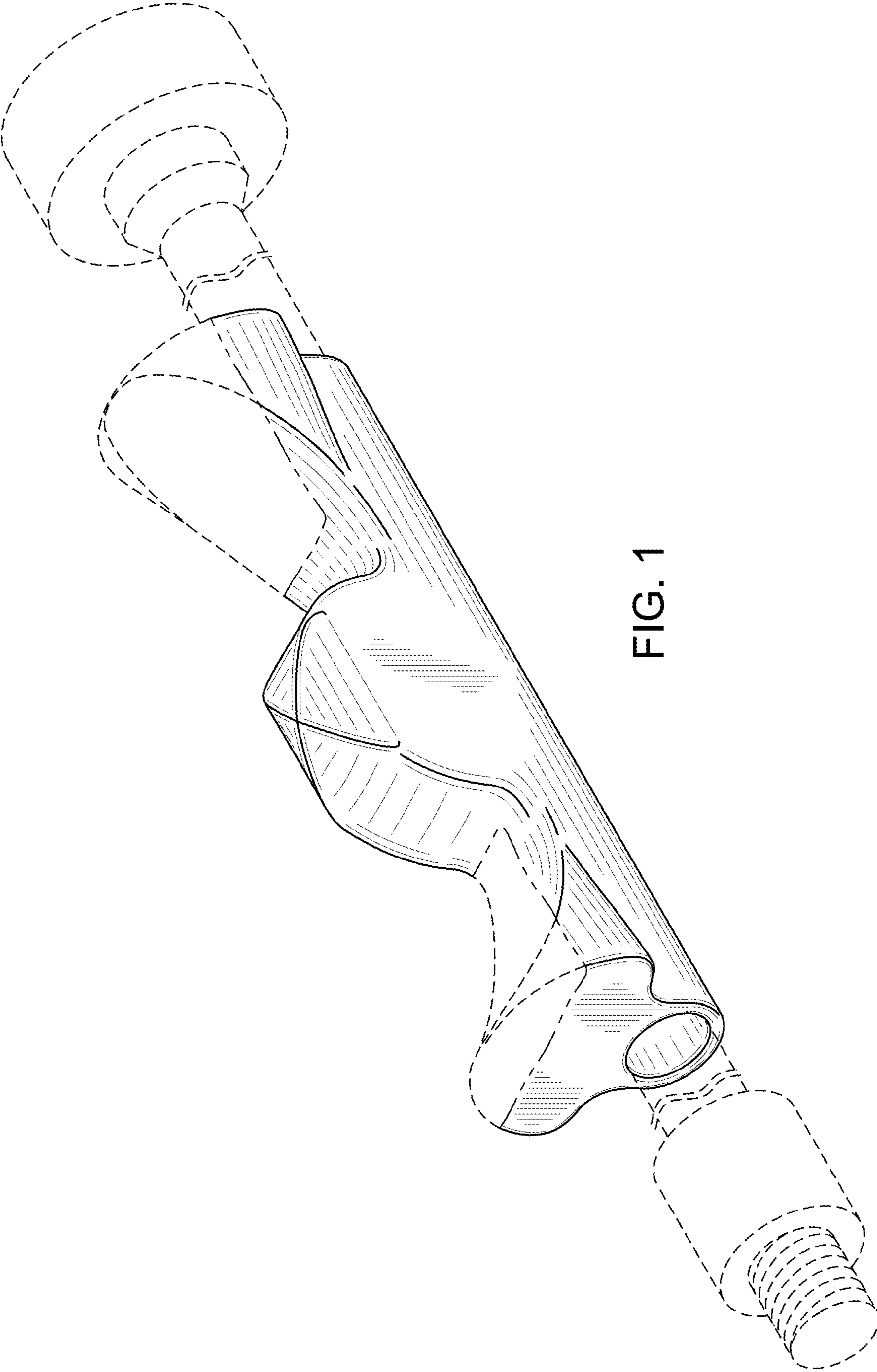


FIG. 1

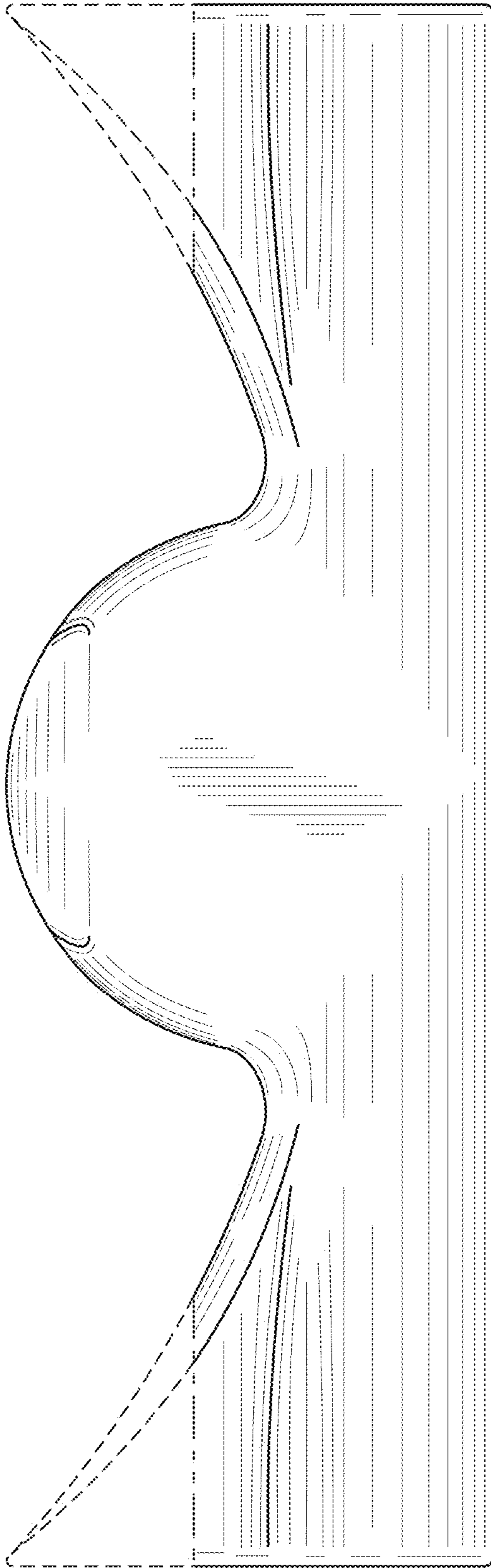


FIG. 2

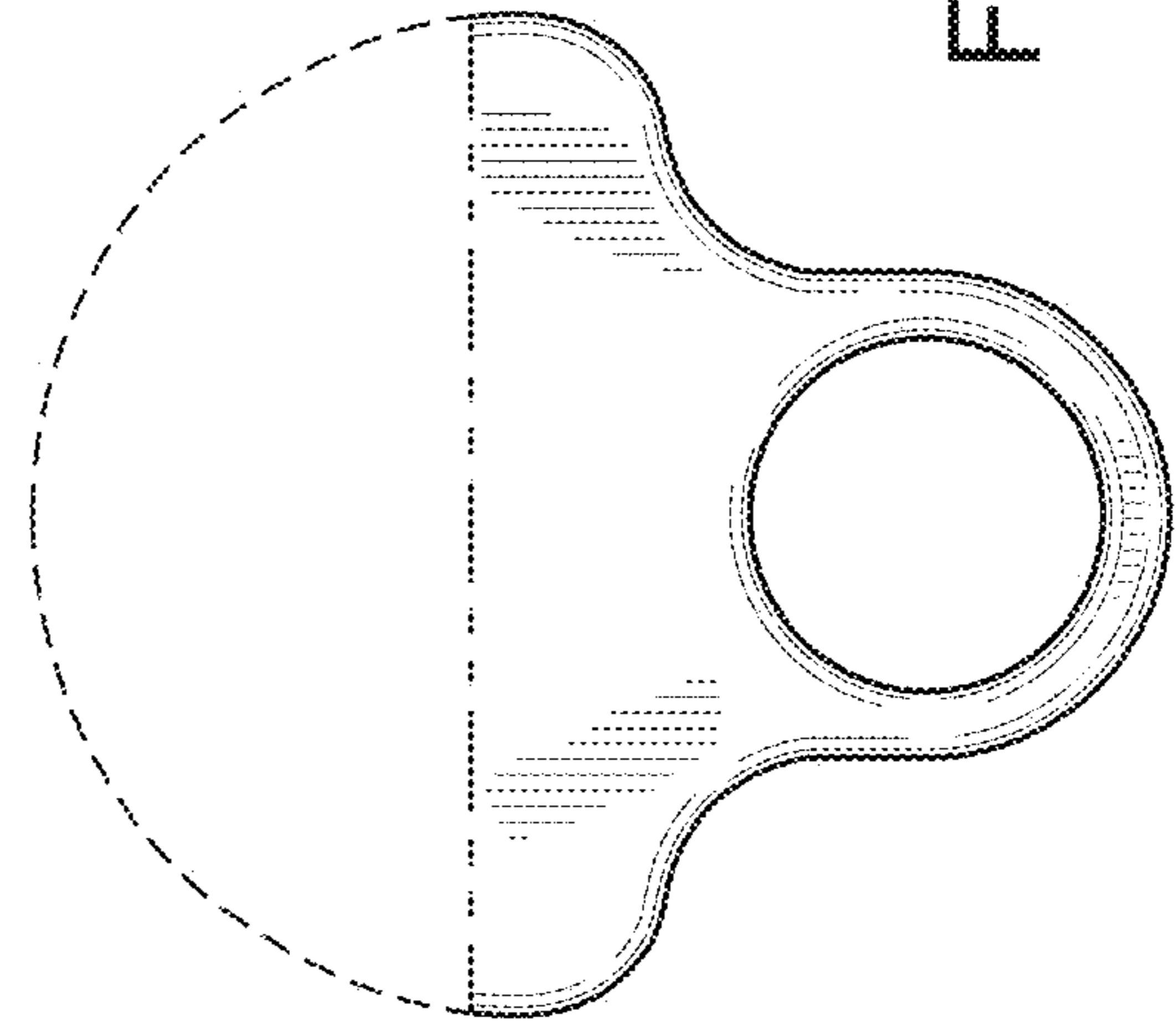


FIG. 3

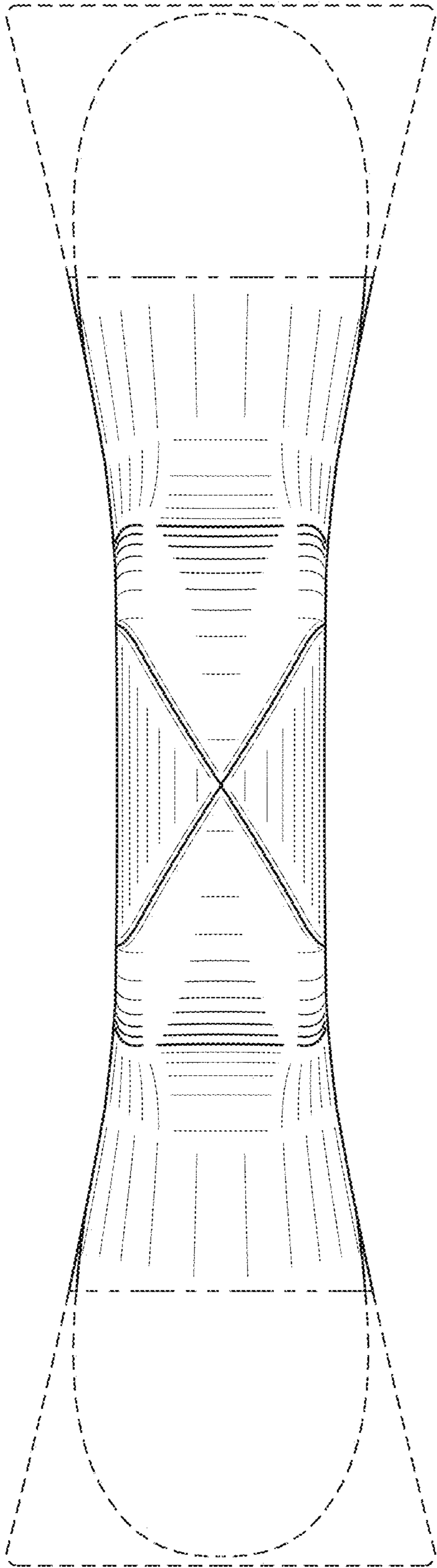


FIG. 4

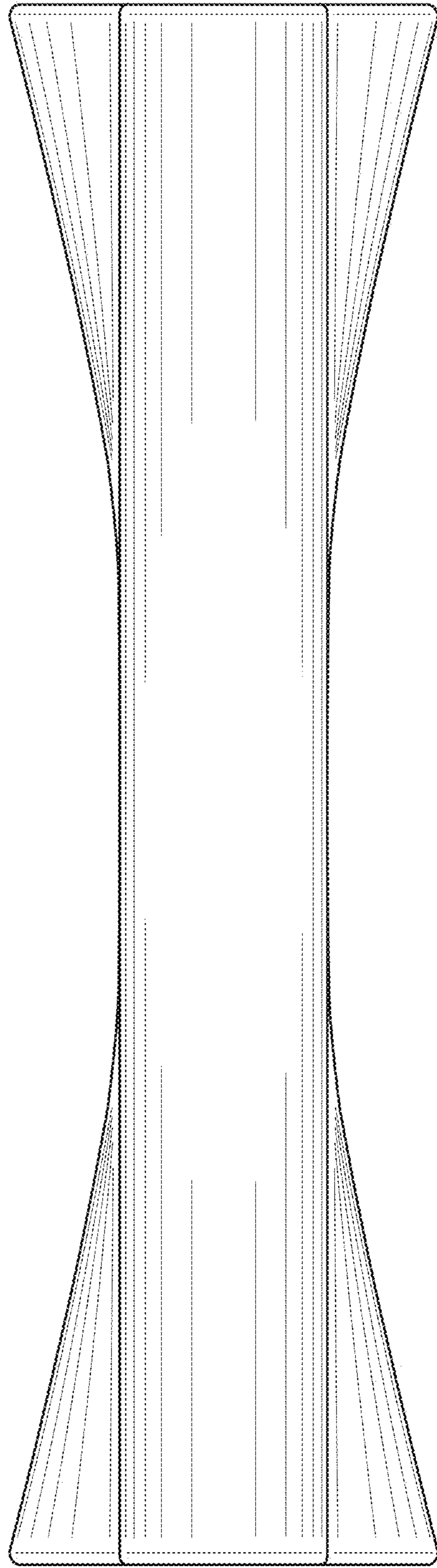


FIG. 5