



US00D882778S

(12) **United States Design Patent**
Kanowitz

(10) **Patent No.:** **US D882,778 S**

(45) **Date of Patent:** **** Apr. 28, 2020**

(54) **ENDOTRACHEAL TUBE STABILIZER**

(71) Applicant: **Securisyn Medical, LLC**, Highlands Ranch, CO (US)

(72) Inventor: **Arthur Kanowitz**, Littleton, CO (US)

(73) Assignee: **Securisyn Medical, LLC**, Highlands Ranch, CO (US)

(**) Term: **15 Years**

(21) Appl. No.: **29/644,695**

(22) Filed: **Apr. 19, 2018**

(51) **LOC (12) Cl.** **24-02**

(52) **U.S. Cl.**
USPC **D24/128**

(58) **Field of Classification Search**
USPC D24/127-131, 112-114, 133, 186;
606/181, 185; 604/264, 523-528, 272,
604/187, 158, 164.01-164.11, 181, 184,
604/227; 600/101, 139, 143;
128/200.24, 207.14, 207.15
CPC A61M 25/00; A61M 39/00; A61M 27/00;
A61M 25/0043; A61M 25/0067; A61F
2/958
See application file for complete search history.

(56) **References Cited**

U.S. PATENT DOCUMENTS

D480,140 S * 9/2003 Harding D24/130
7,413,561 B2 * 8/2008 Raulerson A61M 25/02
604/174

D612,045 S * 3/2010 Sarvazyan D24/133
D624,181 S * 9/2010 Harata D24/129
D624,645 S * 9/2010 Shaffer D24/129
D629,514 S * 12/2010 Bierman D24/128
D630,317 S * 1/2011 Wung D24/128
D790,056 S * 6/2017 Colston D24/130
D792,968 S * 7/2017 Galitz D24/128
D793,553 S * 8/2017 Stillson D24/130
D813,383 S * 3/2018 Kearns D24/127
D845,472 S * 4/2019 Evans D24/128
D849,935 S * 5/2019 Rolfs D24/112

* cited by examiner

Primary Examiner — David G Muller

(74) *Attorney, Agent, or Firm* — Glenn H. Lenzen; Dietze and Davis, P.C.

(57) **CLAIM**

The ornamental design for an endotracheal tube stabilizer, as shown and described.

DESCRIPTION

FIG. 1 is a perspective view of the endotracheal tube stabilizer;
FIG. 2 is a front view thereof;
FIG. 3 is a right side view thereof;
FIG. 4 is a left side view thereof;
FIG. 5 is a bottom view thereof; and,
FIG. 6 is a top view thereof.

1 Claim, 6 Drawing Sheets

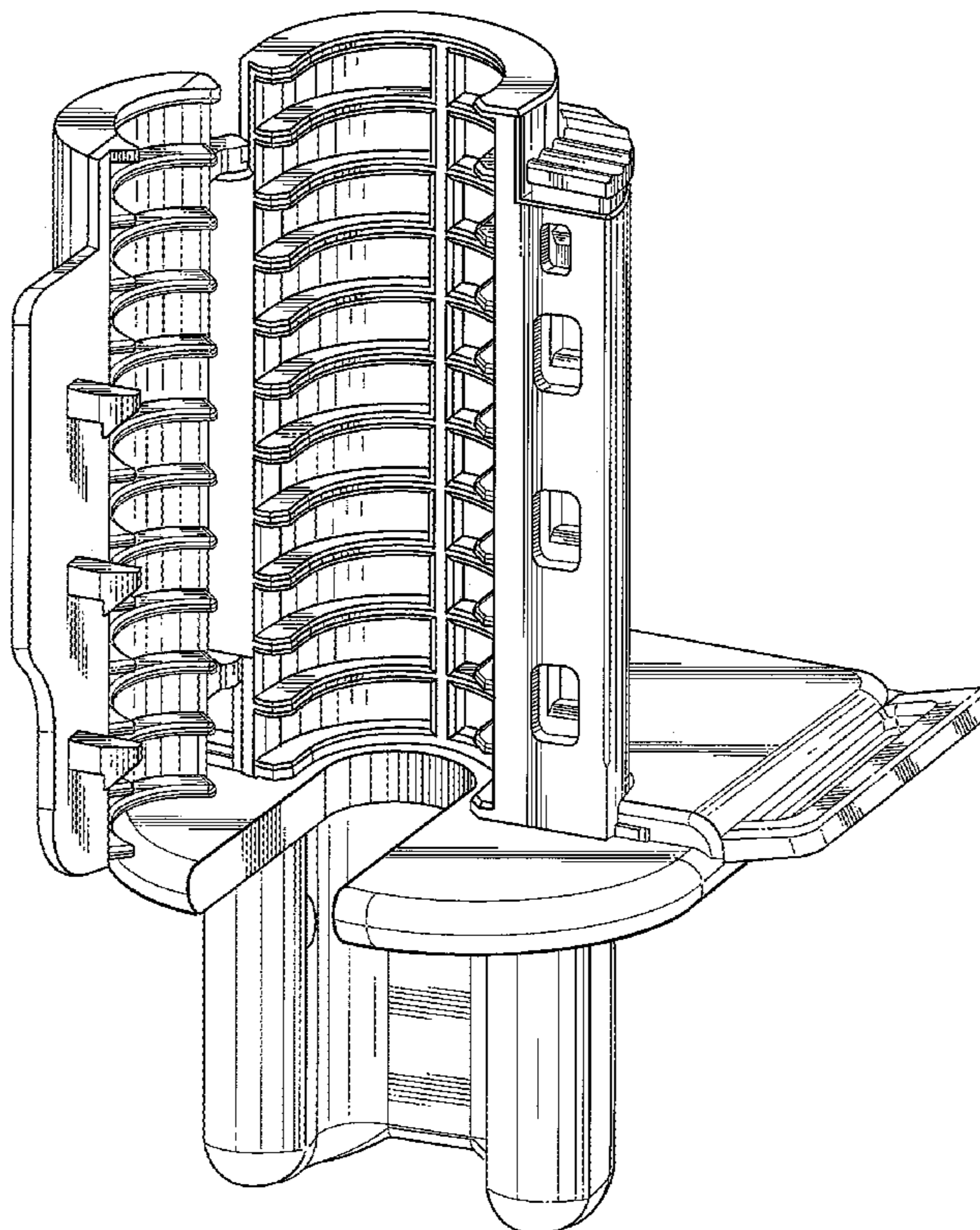


FIG. 1

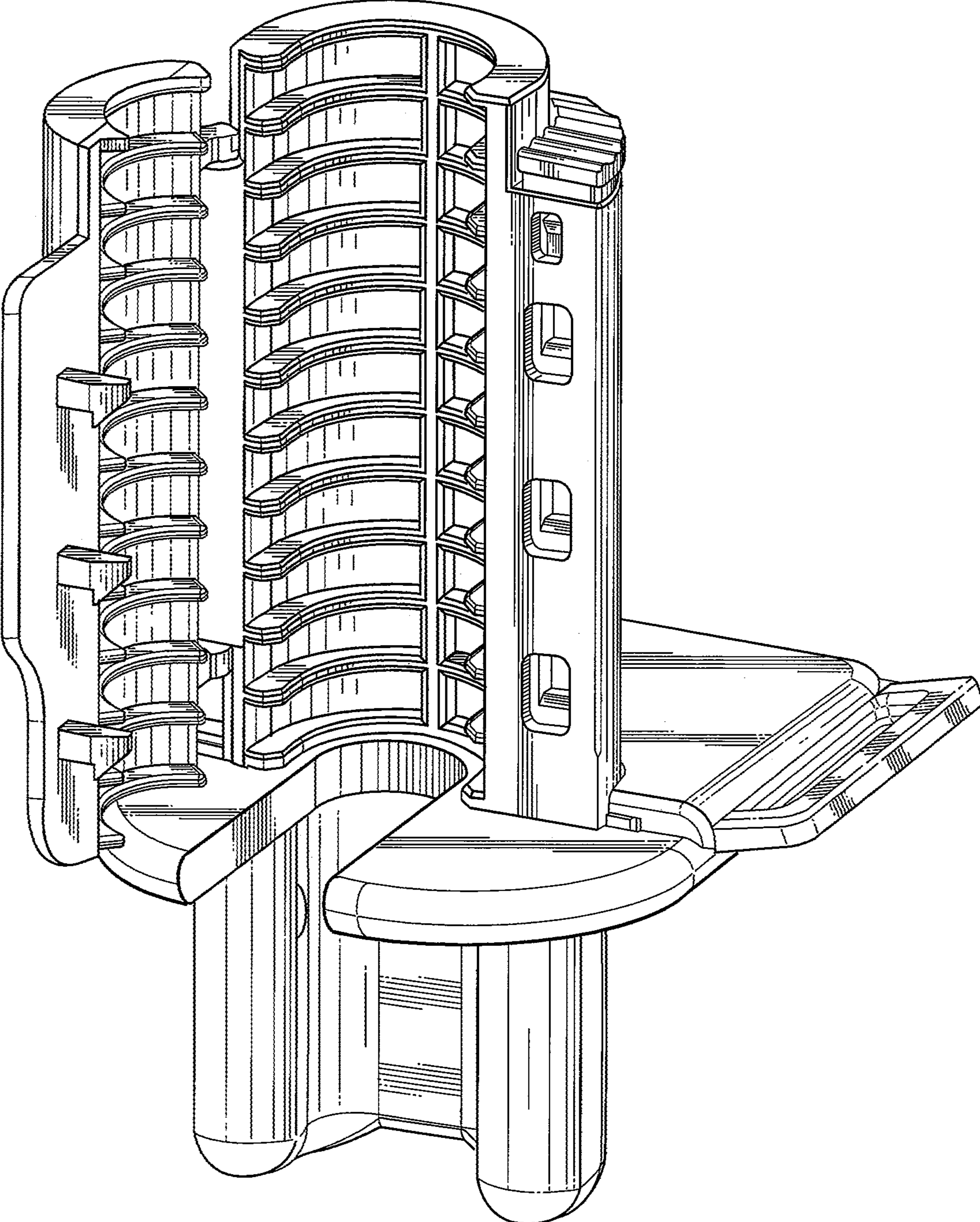


FIG. 2

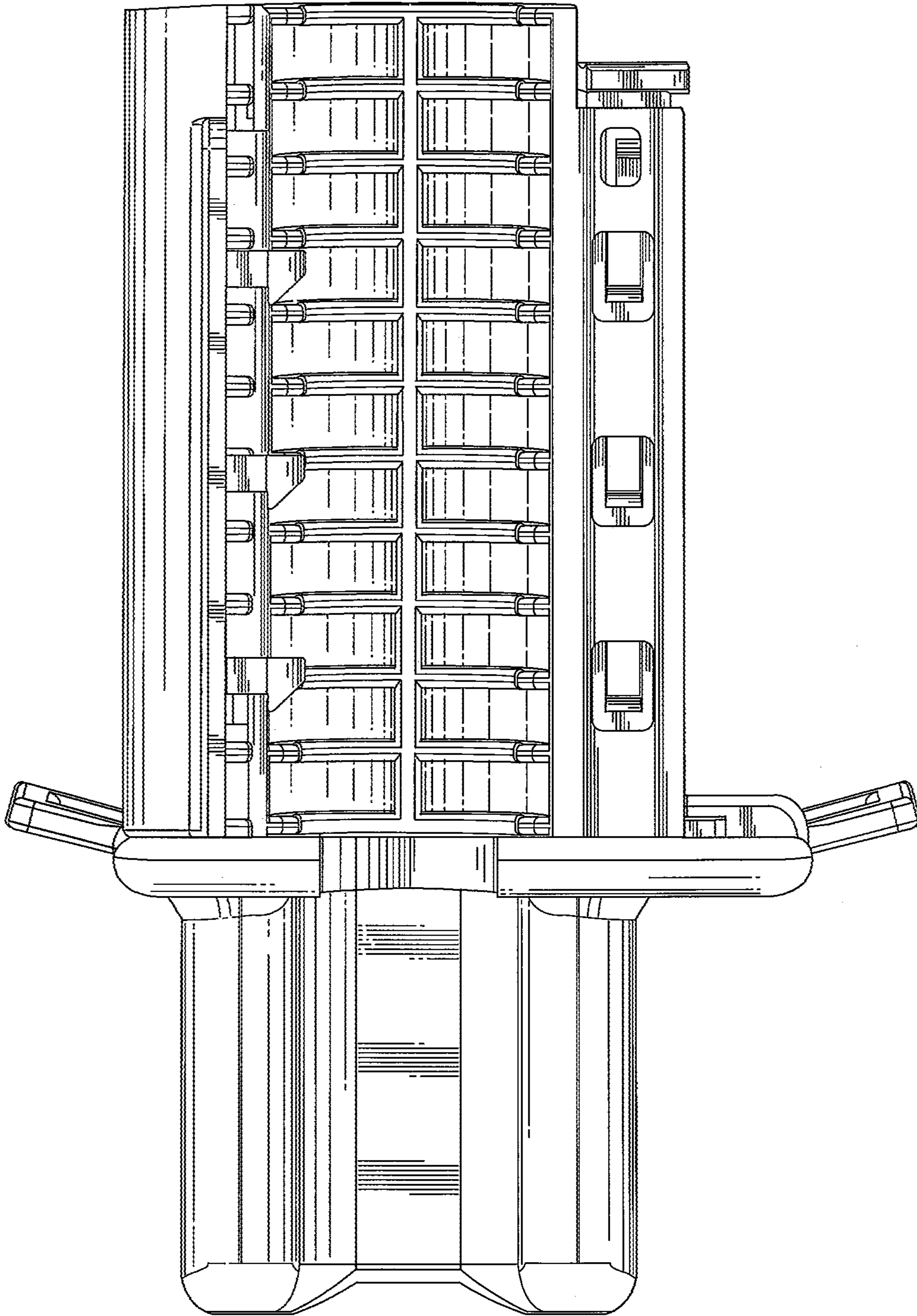


FIG. 3

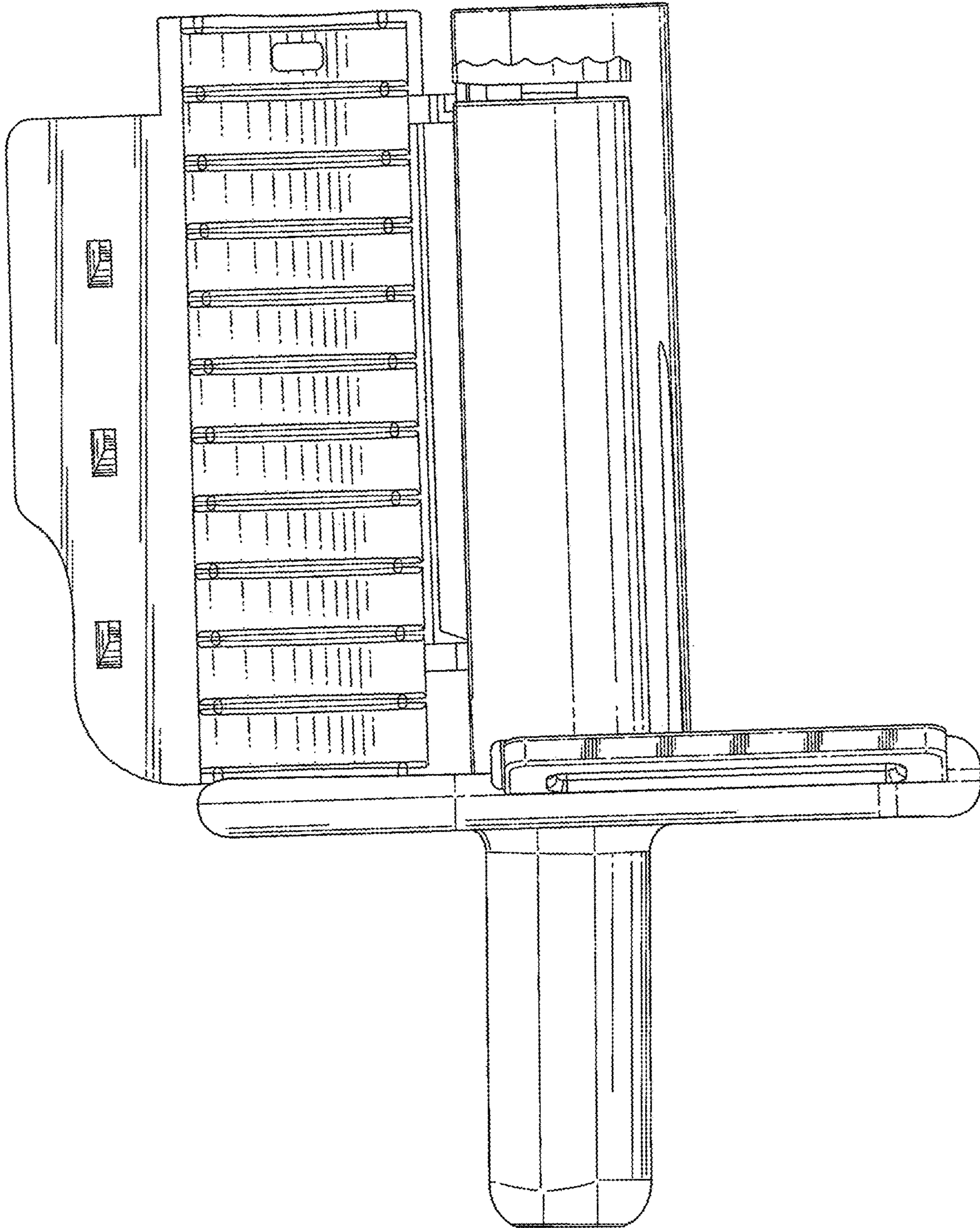


FIG. 4

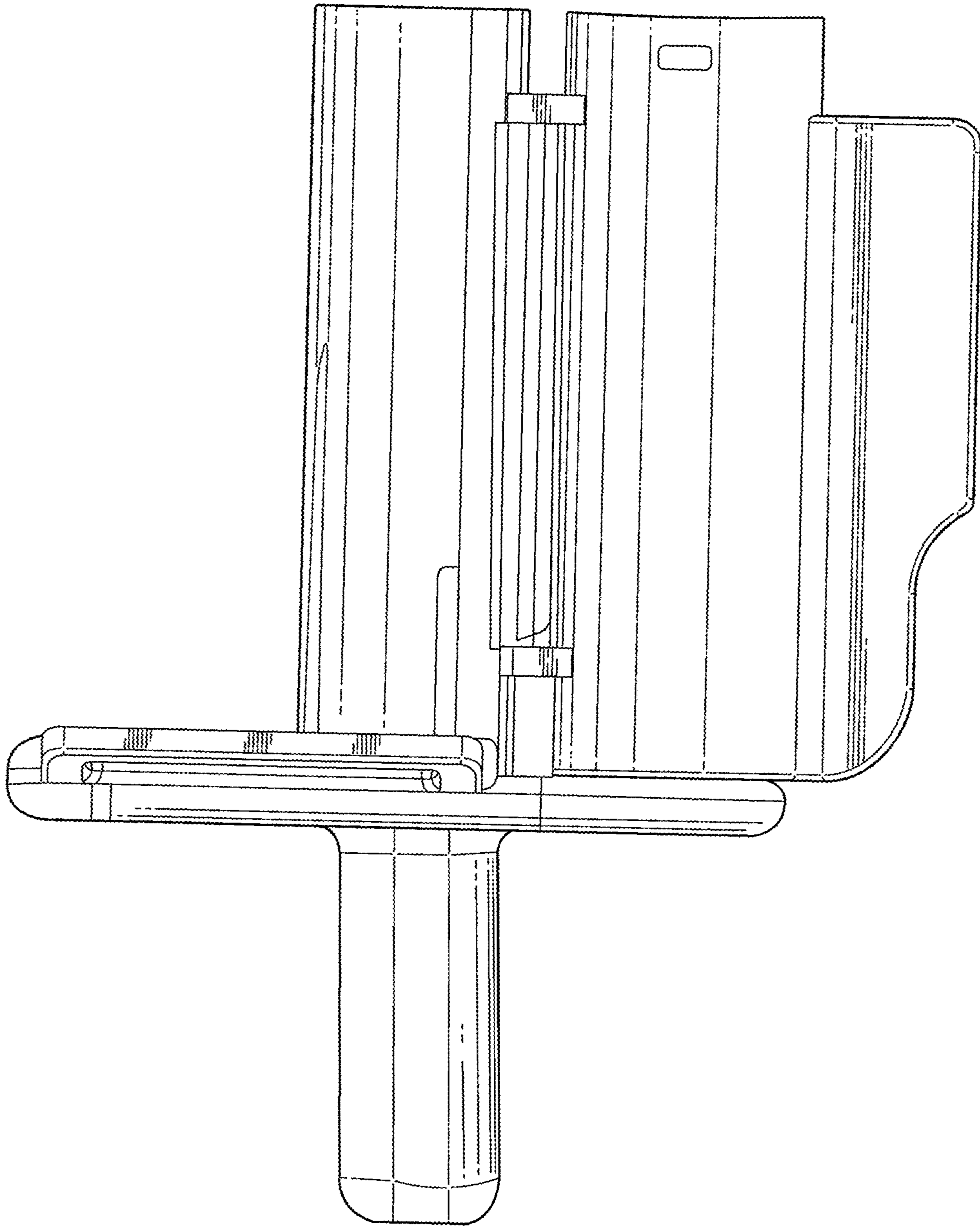


FIG. 5

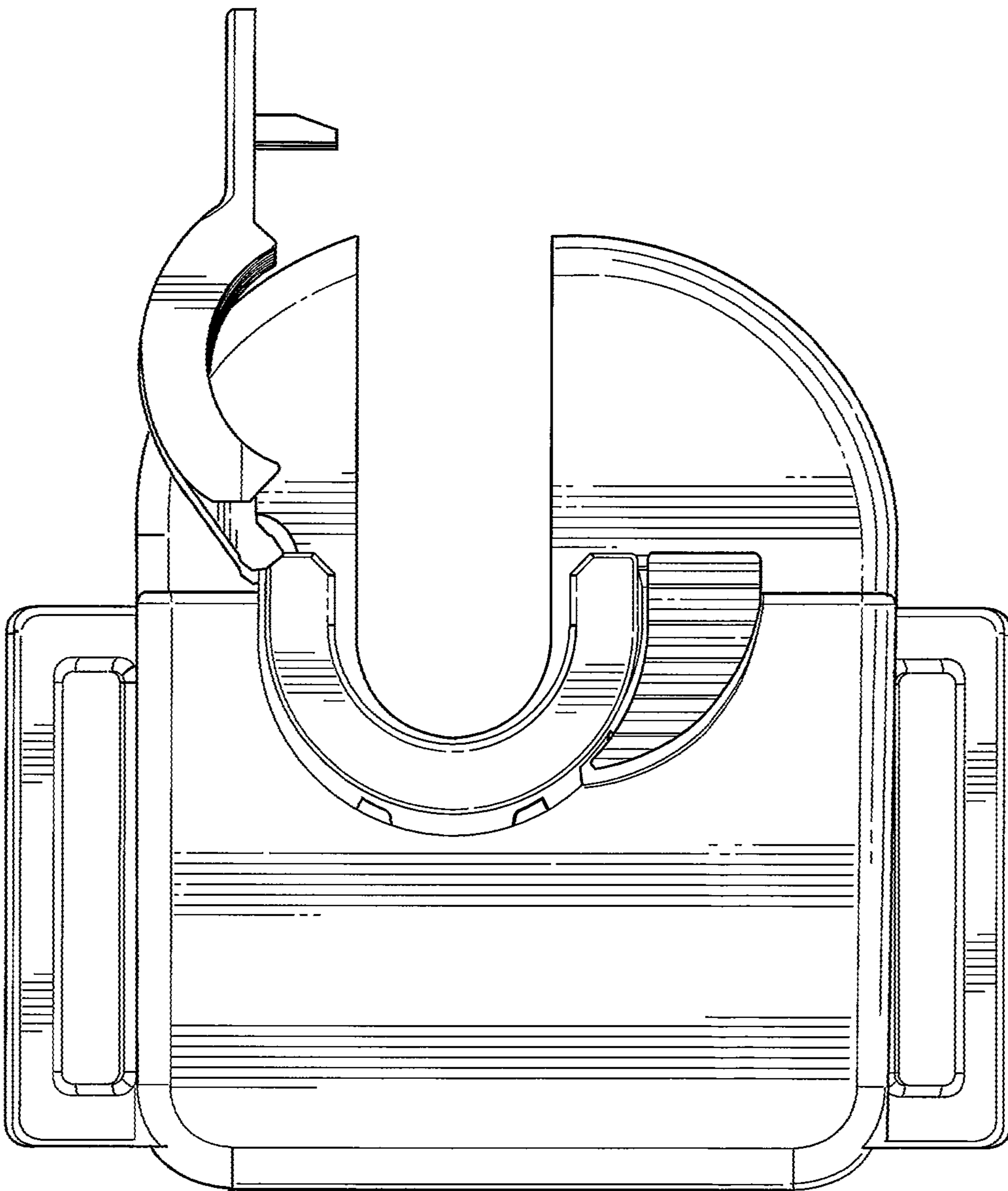


FIG. 6

