



US00D882761S

(12) **United States Design Patent** (10) **Patent No.:** **US D882,761 S**
Cabiri et al. (45) **Date of Patent:** **** Apr. 28, 2020**

(54) **INJECTOR DEVICE**

(56) **References Cited**

(71) Applicant: **West Pharma. Services IL, Ltd.,**
Ra'anana (IL)
(72) Inventors: **Oz Cabiri**, Hod Hasharon (IL); **Reuven Y. Filman**, Tel Mond (IL); **Boris Degtiar**, Modiin (IL); **Ofer Zick**, Tikva (IL)
(73) Assignee: **West Pharma. Services IL, Ltd.,**
Ra'anana (IL)
(**) Term: **15 Years**

U.S. PATENT DOCUMENTS

4,300,554 A	11/1981	Hessberg et al.
4,689,043 A	8/1987	Bisha
5,090,877 A	2/1992	D'Silva
5,364,364 A	11/1994	Kasvikis et al.
5,445,621 A	8/1995	Poli et al.
5,505,709 A	4/1996	Funderburk et al.
D372,098 S	7/1996	Lattin et al.
D384,745 S	10/1997	Lattin et al.
5,779,676 A	7/1998	Kriesel et al.
5,820,406 A	10/1998	Hetherington
5,830,187 A	11/1998	Kriesel et al.
5,858,001 A	1/1999	Tsals et al.
5,954,697 A	9/1999	Srisathapat et al.
6,117,575 A	9/2000	Dinsdale

(Continued)

(21) Appl. No.: **29/697,035**

FOREIGN PATENT DOCUMENTS

(22) Filed: **Jul. 3, 2019**

CN	1408443 A	4/2003
CN	101239205 A	8/2008

(Continued)

Related U.S. Application Data

(63) Continuation of application No. 29/628,592, filed on Dec. 6, 2017, now abandoned, which is a continuation of application No. 15/395,166, filed on Dec. 30, 2016, which is a continuation of application No. 13/892,905, filed on May 13, 2013, now Pat. No. 9,572,926, which is a continuation of application No. 13/272,555, filed on Oct. 13, 2011, now Pat. No. 8,465,455, which is a continuation of application No. 12/559,563, filed on Sep. 15, 2009, now Pat. No. 8,157,769.

Primary Examiner — Lilyana Bekic

(74) *Attorney, Agent, or Firm* — Panitch Schwarze Belisario & Nadel LLP

(57) **CLAIM**

The ornamental design for an injector device, as shown and described.

(51) **LOC (12) Cl.** **24-02**

(52) **U.S. Cl.**
USPC **D24/111; D24/113**

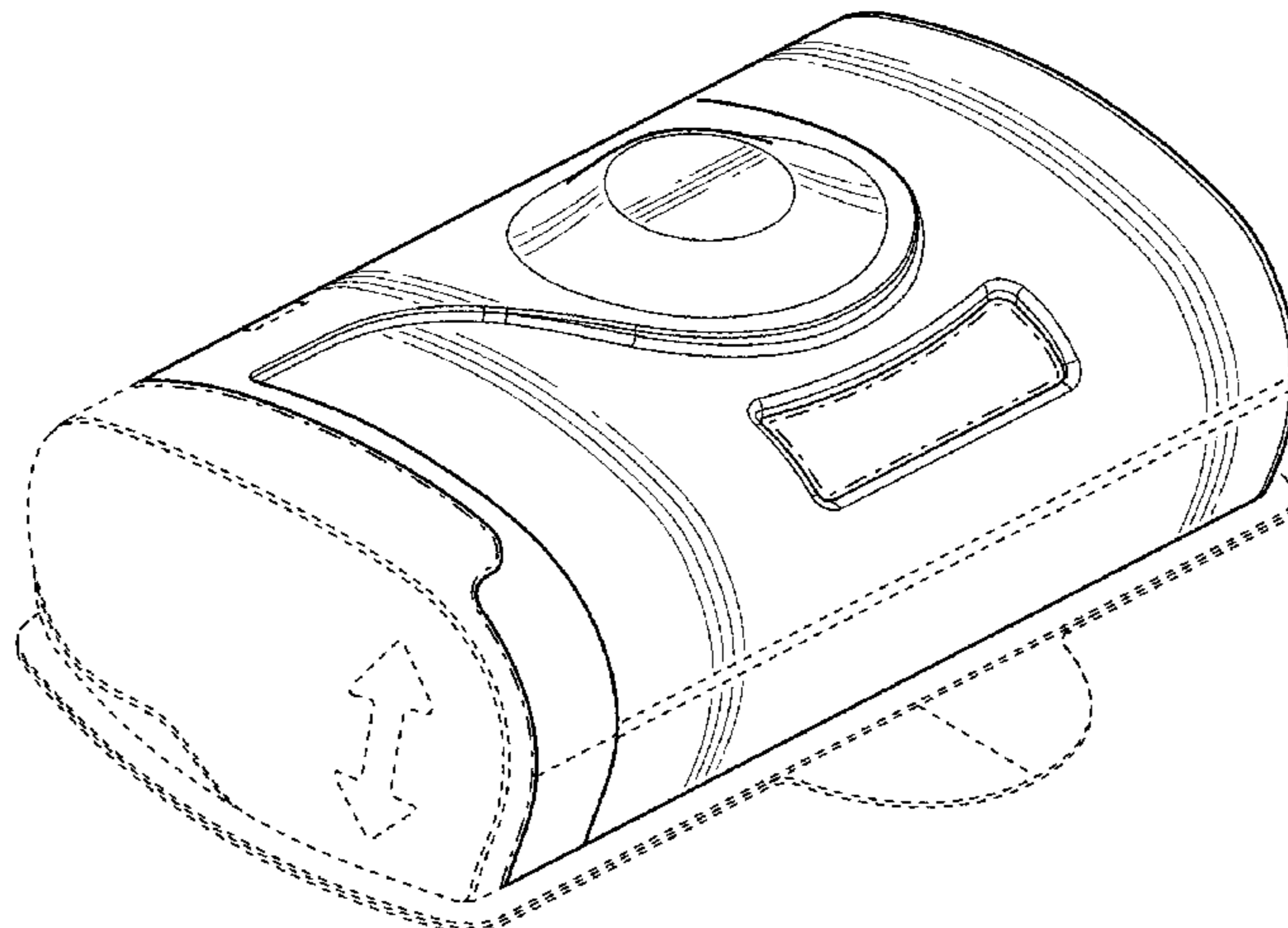
(58) **Field of Classification Search**
USPC D24/107-108, 111-113, 169
CPC A61M 5/20; A61M 5/30; A61M 5/142;
A61M 5/14248; A61M 5/14244; A61M
2005/14252

See application file for complete search history.

DESCRIPTION

FIG. 1 is a front, left side isometric view of an injector device in accordance with our new design; FIG. 2 is a front, right side isometric view thereof; and, FIG. 3 is a left side elevational view thereof. The dash-dot broken lines define a boundary of the injector device that forms no part of the claimed design. The

(Continued)



dash-dash broken lines depict portions of the injector device that form no part of the claimed design.

1 Claim, 3 Drawing Sheets

(56)

References Cited

U.S. PATENT DOCUMENTS

6,160,487	A	12/2000	DeLuca	
6,305,908	B1	10/2001	Hermann et al.	
6,423,036	B1	7/2002	Van Huizen	
6,599,272	B1	7/2003	Hjertman et al.	
7,569,050	B2	8/2009	Moberg et al.	
7,588,559	B2	9/2009	Aravena et al.	
D602,155	S	10/2009	Foley et al.	
D602,586	S *	10/2009	Foley	D24/113
7,749,194	B2	7/2010	Edwards et al.	
7,806,868	B2	10/2010	De Polo et al.	
7,967,795	B1	6/2011	Cabiri	
8,157,769	B2	4/2012	Cabiri	
D685,083	S	6/2013	Schneider et al.	
8,465,455	B2	6/2013	Cabiri	
D687,141	S	7/2013	Schneider et al.	
D687,536	S	8/2013	Guarraia et al.	
D692,552	S *	10/2013	Lovell	D24/108
D723,157	S	2/2015	Clemente et al.	
D768,288	S	10/2016	O'Connor et al.	
D774,640	S	12/2016	Tyce et al.	
D776,262	S	1/2017	Tyce et al.	
D776,263	S	1/2017	Tyce et al.	
D776,264	S	1/2017	Tyce et al.	
D776,265	S	1/2017	Tyce et al.	
9,572,926	B2 *	2/2017	Cabiri	A61M 5/14248
9,707,335	B2	7/2017	Agard et al.	
D794,776	S	8/2017	Tyce et al.	
9,737,655	B2	8/2017	Clemente et al.	
9,782,545	B2	10/2017	Gross et al.	
9,802,030	B2	10/2017	Clemente et al.	
D804,019	S	11/2017	Costello et al.	
9,814,832	B2	11/2017	Agard et al.	
D804,650	S	12/2017	Costello et al.	
D805,186	S	12/2017	Costello et al.	
D805,187	S	12/2017	Costello et al.	
D805,188	S	12/2017	Costello et al.	
D805,189	S	12/2017	Costello et al.	
D805,190	S	12/2017	Costello et al.	
9,861,759	B2	1/2018	Gross et al.	
D810,278	S	2/2018	Cabiri et al.	
D810,279	S	2/2018	Cabiri et al.	
D811,583	S	2/2018	Cabiri et al.	
D811,584	S	2/2018	Cabiri et al.	
D851,752	S *	6/2019	Nazzaro	D24/111
D865,945	S *	11/2019	Nazzaro	D24/111
2003/0109827	A1	6/2003	Lavi et al.	

2004/0015131	A1	1/2004	Flaherty et al.	
2004/0064088	A1	4/2004	Gorman et al.	
2005/0203461	A1	9/2005	Flaherty et al.	
2006/0264831	A1	11/2006	Skwarek et al.	
2007/0167912	A1	7/2007	Causey et al.	
2007/0197968	A1	8/2007	Pongpairachana et al.	
2007/0219480	A1	9/2007	Kamen et al.	
2008/0097381	A1	4/2008	Moberg et al.	
2008/0234627	A1	9/2008	Dent et al.	
2008/0255516	A1	10/2008	Yodfat et al.	
2008/0281270	A1	11/2008	Cross et al.	
2009/0093792	A1	4/2009	Gross et al.	
2009/0093793	A1	4/2009	Gross et al.	
2009/0105650	A1	4/2009	Wiegel et al.	
2009/0131860	A1	5/2009	Nielsen	
2009/0143735	A1	6/2009	De Polo et al.	
2009/0243234	A1	10/2009	Sharifi	
2010/0081993	A1	4/2010	O'Connor	
2010/0168683	A1	7/2010	Cabiri	
2010/0211011	A1	8/2010	Haar	
2011/0066131	A1	3/2011	Cabiri	
2011/0137239	A1	6/2011	DeBelser et al.	
2012/0035546	A1	2/2012	Cabiri	
2013/0060233	A1	3/2013	O'Connor et al.	
2013/0296792	A1	11/2013	Cabiri	
2014/0188073	A1	7/2014	Cabiri et al.	
2015/0057613	A1	2/2015	Clemente et al.	
2016/0058941	A1	3/2016	Wu et al.	
2016/0256352	A1	9/2016	Bar-El et al.	
2017/0028132	A1	2/2017	Cronenberg et al.	
2017/0106138	A1	4/2017	Cabiri	
2017/0224915	A1	8/2017	Destefano et al.	
2017/0281859	A1	10/2017	Agard et al.	
2017/0312450	A1	11/2017	Gross et al.	
2017/0354781	A1	12/2017	Cronenberg et al.	
2017/0354782	A1	12/2017	Quinn et al.	
2017/0354783	A1	12/2017	Gazeley et al.	
2017/0354785	A1	12/2017	Gazeley et al.	
2017/0354788	A1	12/2017	Quinn et al.	
2018/0001073	A1	1/2018	Clemente et al.	
2018/0008769	A1	1/2018	O'Connor et al.	
2018/0021508	A1	1/2018	Destefano et al.	
2018/0028747	A1	2/2018	Hanson et al.	
2018/0043091	A1	2/2018	Agard et al.	
2019/0091404	A1 *	3/2019	Nazzaro	A61M 5/2033
2019/0117880	A1 *	4/2019	Hirschel	A61M 5/31576
2019/0366012	A1 *	12/2019	Gross	A61M 5/172

FOREIGN PATENT DOCUMENTS

WO	2009044401	A2	4/2009
WO	2011/034799	A1	3/2011
WO	2012032411	A2	3/2012
WO	2012160157	A1	11/2012
WO	2014/107408	A1	7/2014

* cited by examiner

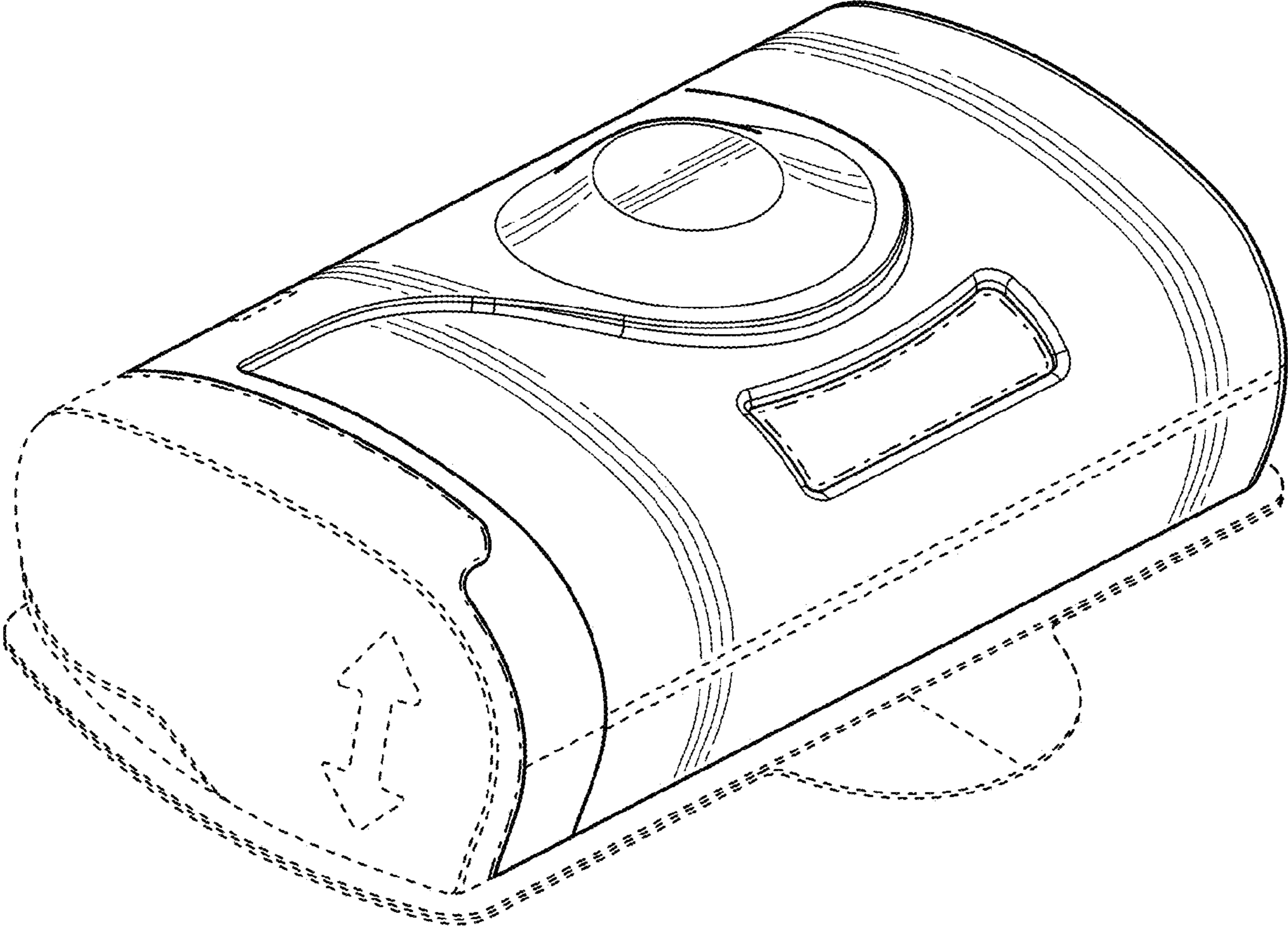


FIG. 1

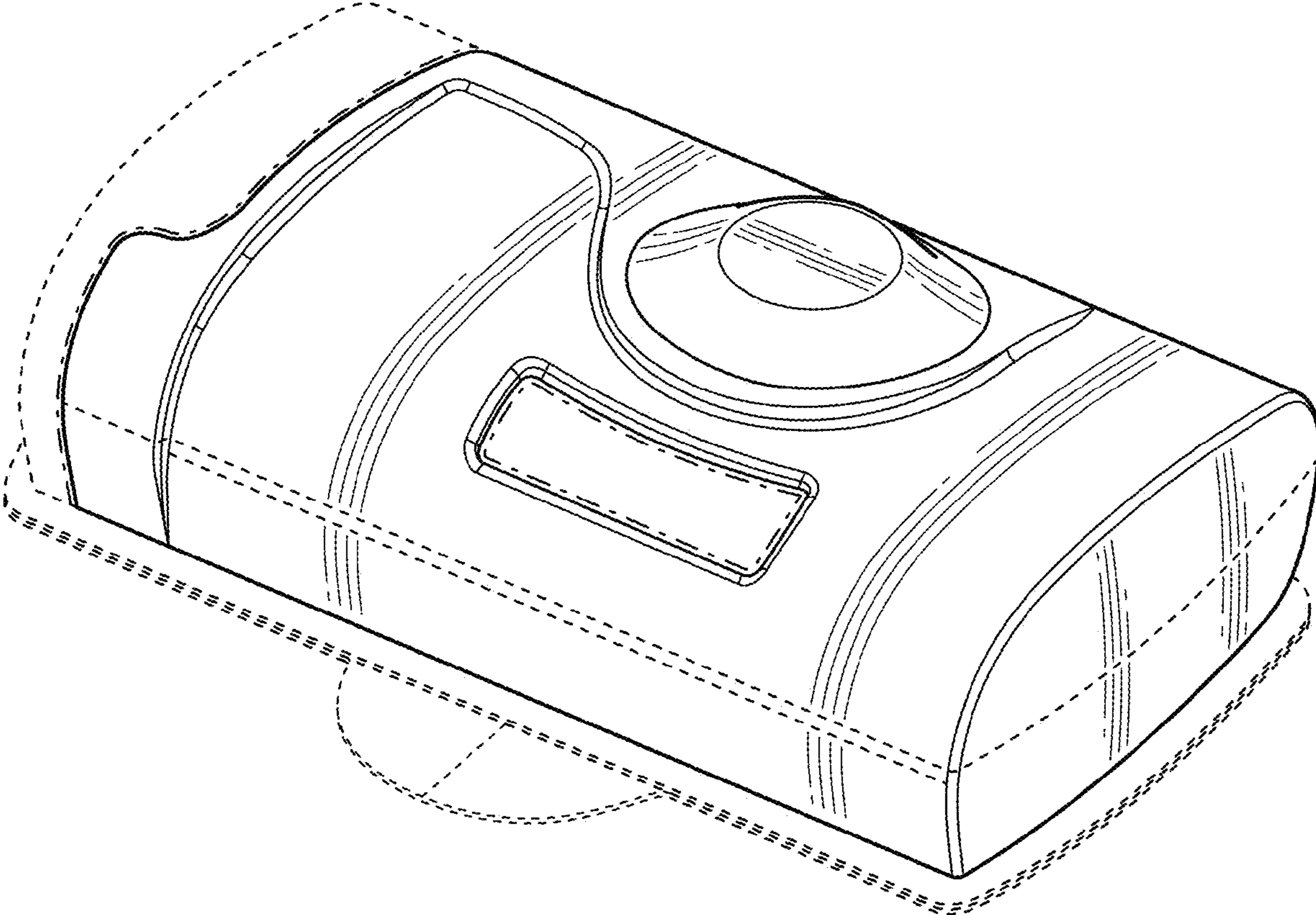


FIG. 2

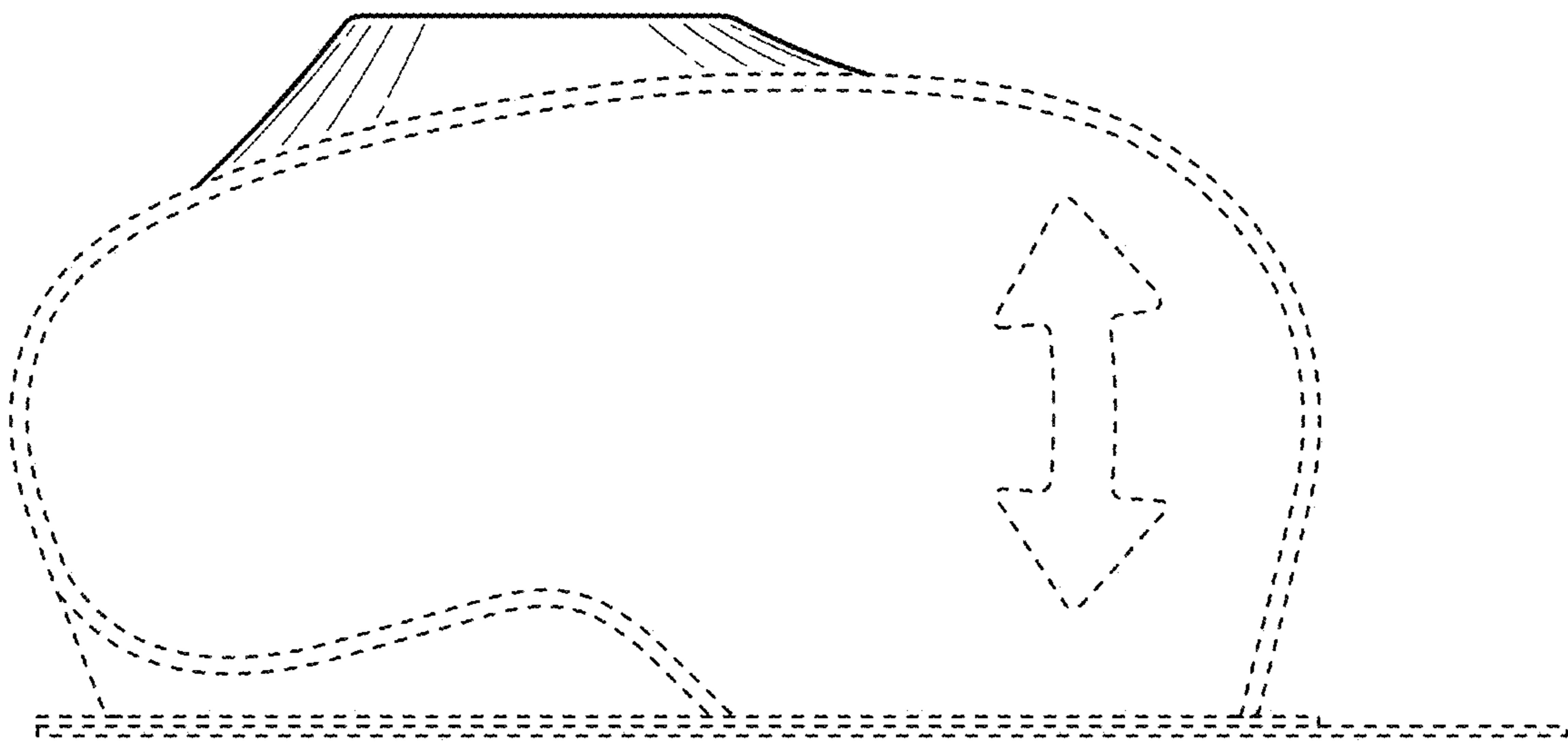


FIG. 3