



US00D882760S

(12) **United States Design Patent**
Katz et al.

(10) **Patent No.:** **US D882,760 S**

(45) **Date of Patent:** **** Apr. 28, 2020**

(54) **MEDICAL DRUG DELIVERY DEVICE**

(71) Applicant: **Sorrel Medical Ltd.,** Netanya (IL)

(72) Inventors: **Mindy Katz,** Kfar Saba (IL); **Shai Peretz,** Tel Aviv (IL); **Ori Ben-David,** Tel Aviv (IL)

(73) Assignee: **Sorrel Medical Ltd.,** Netanya (IL)

(**) Term: **15 Years**

(21) Appl. No.: **29/657,707**

(22) Filed: **Jul. 25, 2018**

(30) **Foreign Application Priority Data**

Jul. 22, 2018 (IL) 62395

(51) **LOC (12) Cl.** **24-02**

(52) **U.S. Cl.**
USPC **D24/111; D24/113**

(58) **Field of Classification Search**

USPC D24/104, 107, 108, 111, 112, 113, 114,
D24/115, 116, 117, 118, 119, 127, 130,
D24/133, 186, 163, 164, 189, 190, 191,
D24/192

CPC A61M 5/142; A61M 2005/14208; A61M
5/14212; A61M 5/14228; A61M 5/14232;
A61M 5/145; A61M 5/1456; A61M
5/14566; A61M 5/1458; A61M 5/1452;
A61M 2205/505; A61M 5/14244; A61M
5/1723; A61M 2205/52; A61M 5/14248;
A61M 2005/14268; A61M 15/1428;
A61M 2005/14284; G06F 19/3468

See application file for complete search history.

(56) **References Cited**

U.S. PATENT DOCUMENTS

D588,274 S * 3/2009 Dent D24/189
8,613,719 B2 * 12/2013 Karratt A61M 5/14248
604/131

D699,855 S * 2/2014 Netzel D24/188
D707,823 S * 6/2014 Scherbing D24/163
D741,492 S * 10/2015 Formica D24/164
9,572,926 B2 * 2/2017 Cabiri A61M 5/14248
9,814,832 B2 * 11/2017 Agard A61M 5/3157
D804,650 S * 12/2017 Costello D24/113
D806,232 S * 12/2017 Hwang D24/112
D813,380 S * 3/2018 Stonecipher D24/113
D820,987 S * 6/2018 Tam D24/163
D835,292 S * 12/2018 Luzon D24/216
D836,770 S * 12/2018 Nazzaro D24/111
D851,752 S * 6/2019 Nazzaro D24/111
D865,945 S * 11/2019 Nazzaro D24/111
2017/0106138 A1 * 4/2017 Cabiri A61M 5/14248
2017/0340827 A1 * 11/2017 Nazzaro A61M 5/31531
2018/0236173 A1 * 8/2018 McCaffrey A61M 5/2466
2018/0256815 A1 * 9/2018 Nazzaro A61M 5/1454

(Continued)

Primary Examiner — Samantha Q Lawrence

(74) *Attorney, Agent, or Firm* — Eitan, Mehulal & Sadot

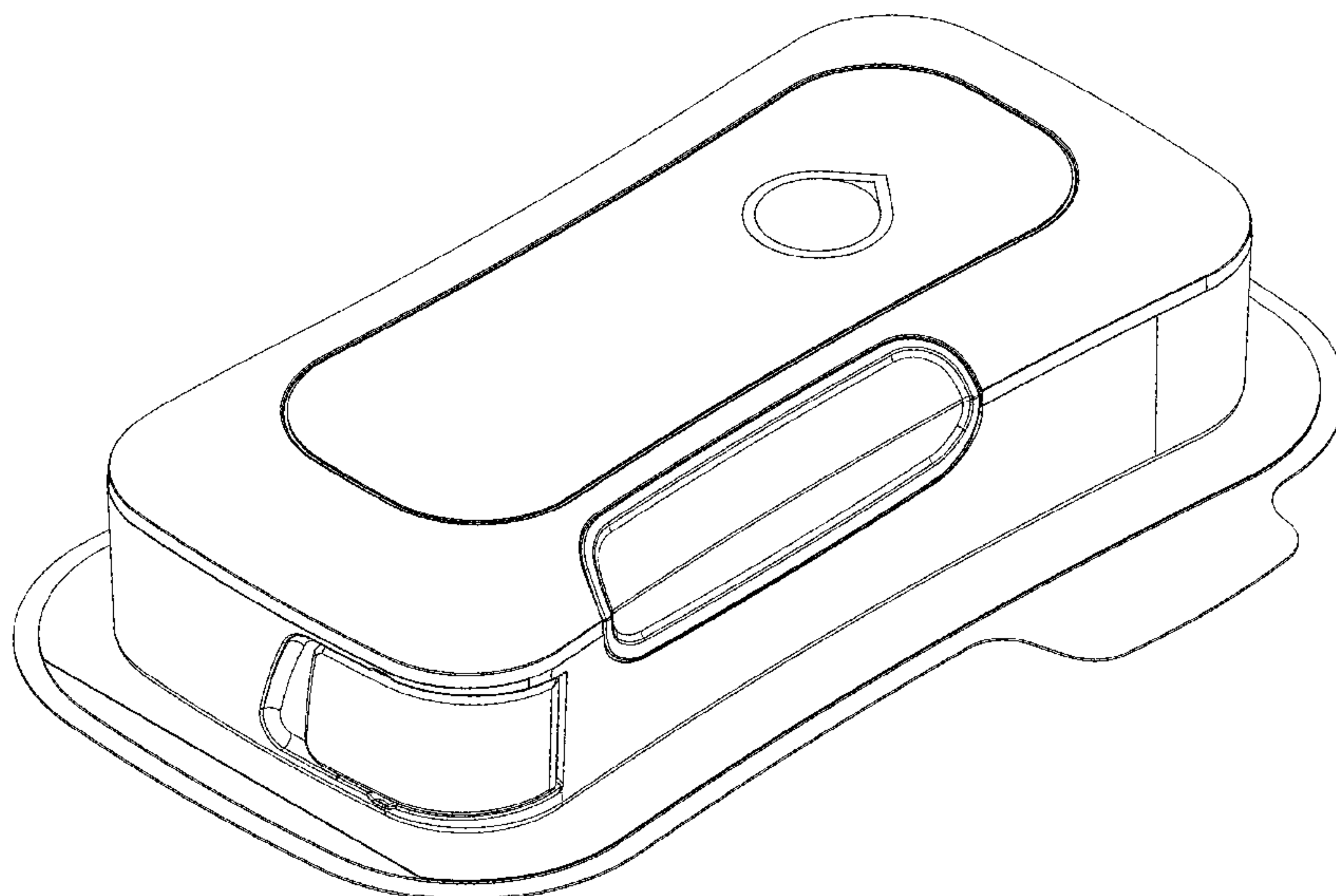
(57) **CLAIM**

The ornamental design for a medical drug delivery device, as shown and described.

DESCRIPTION

FIG. 1 is a perspective view of a medical drug delivery device;
FIG. 2 is a rear view thereof;
FIG. 3 is a front view thereof;
FIG. 4 is a right side view thereof;
FIG. 5 is a left side view thereof;
FIG. 6 is a top view thereof;
FIG. 7 is a bottom view thereof; and,
FIG. 8 is another perspective view thereof in an open state.
The broken lines shown in FIGS. 2, 3, 4, 5, 7 and 8 illustrate portions of the medical drug delivery device that form no part of the claimed design.

1 Claim, 8 Drawing Sheets



(56)

References Cited

U.S. PATENT DOCUMENTS

2019/0022306 A1* 1/2019 Gibson A61M 5/14566
2019/0091404 A1* 3/2019 Nazzaro A61M 5/2033

* cited by examiner

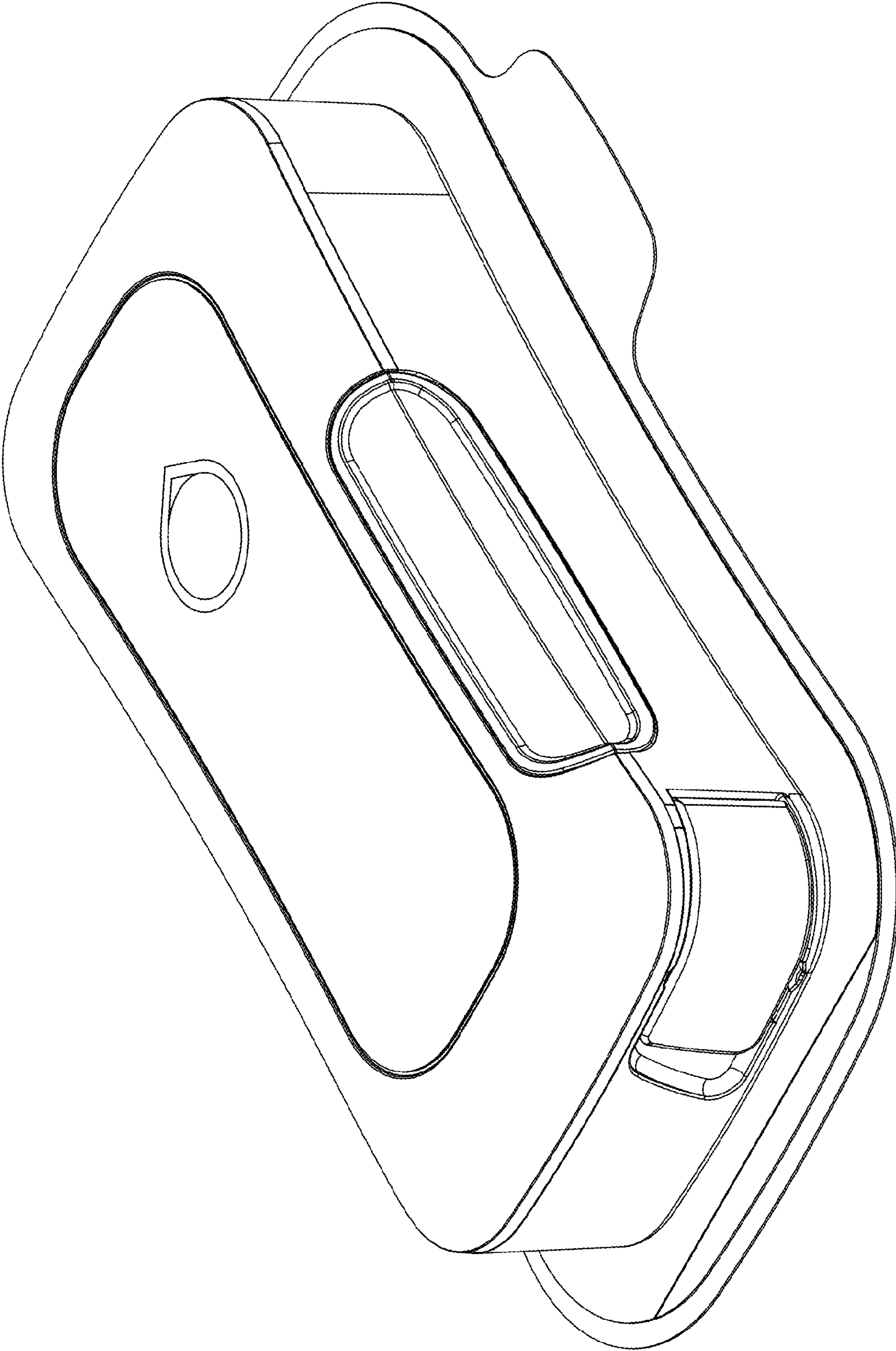


FIG.1

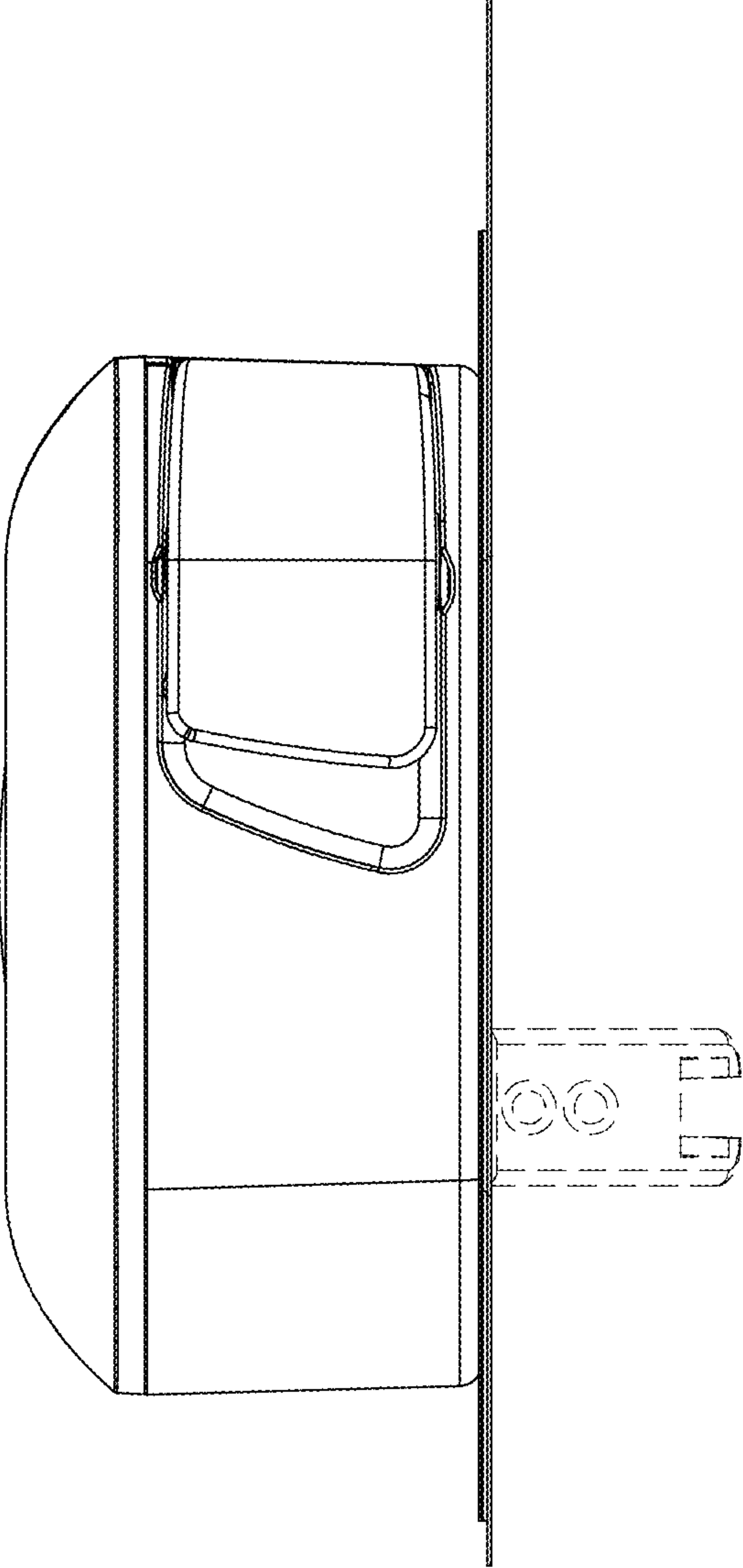


FIG.2

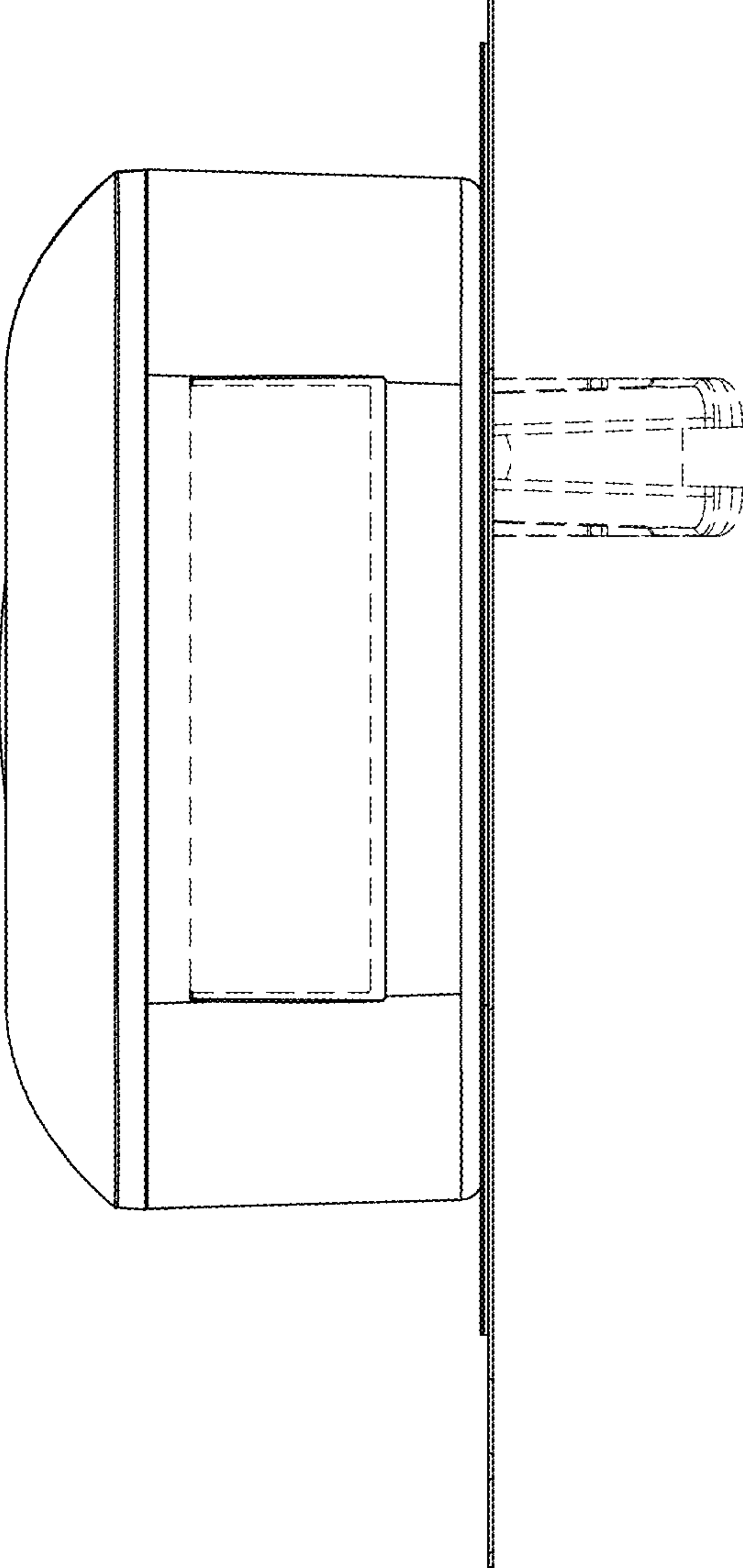


FIG. 3

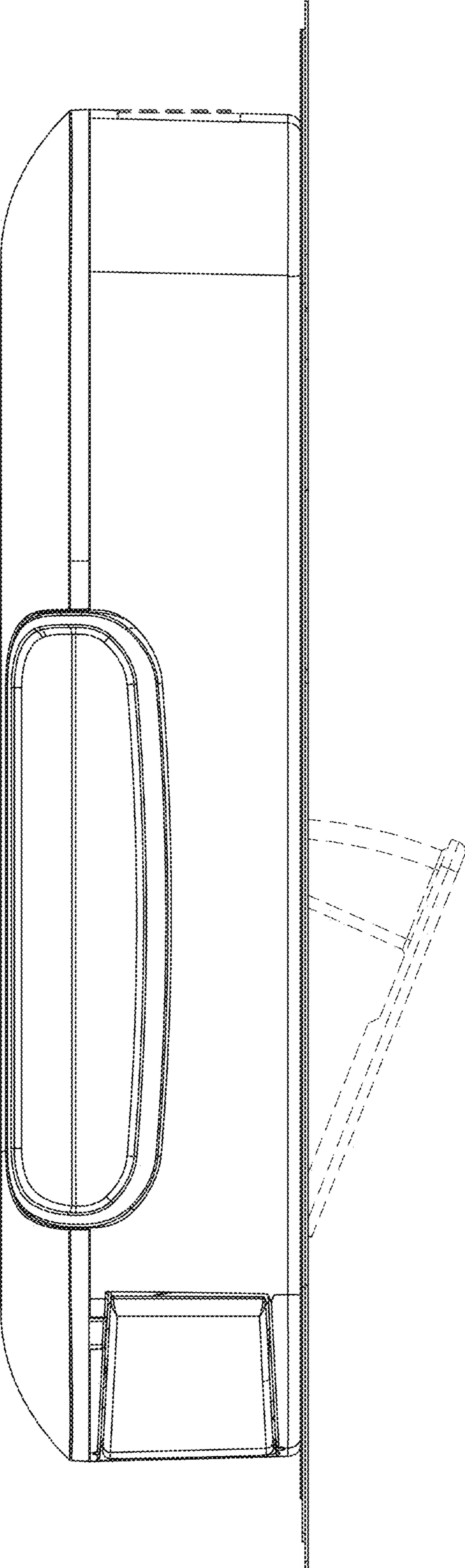


FIG.4

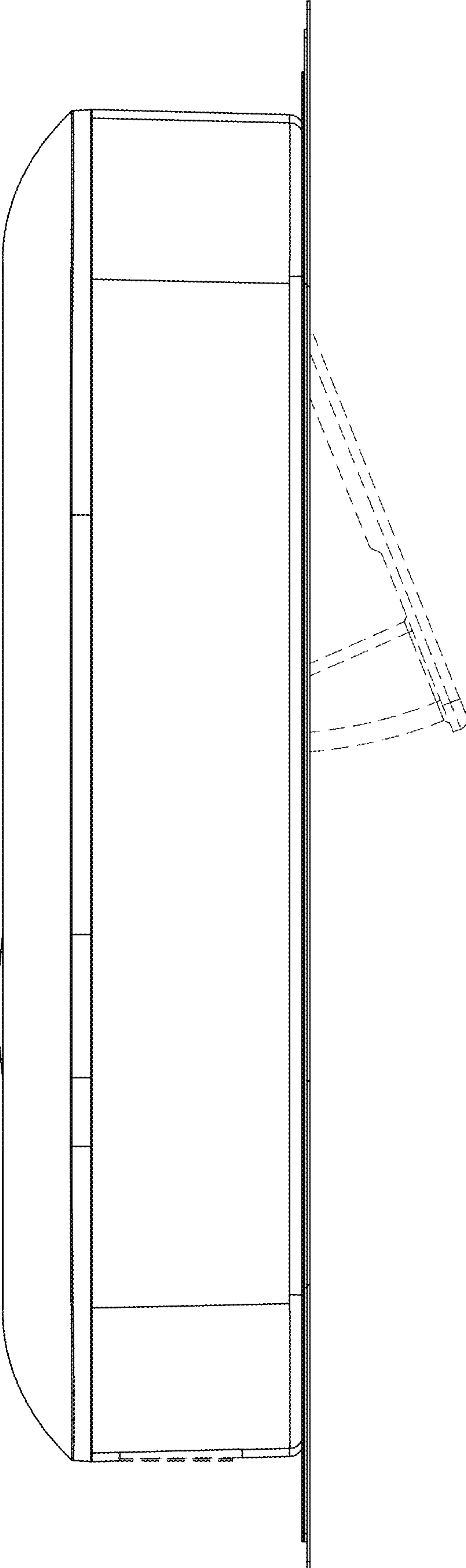


FIG. 5

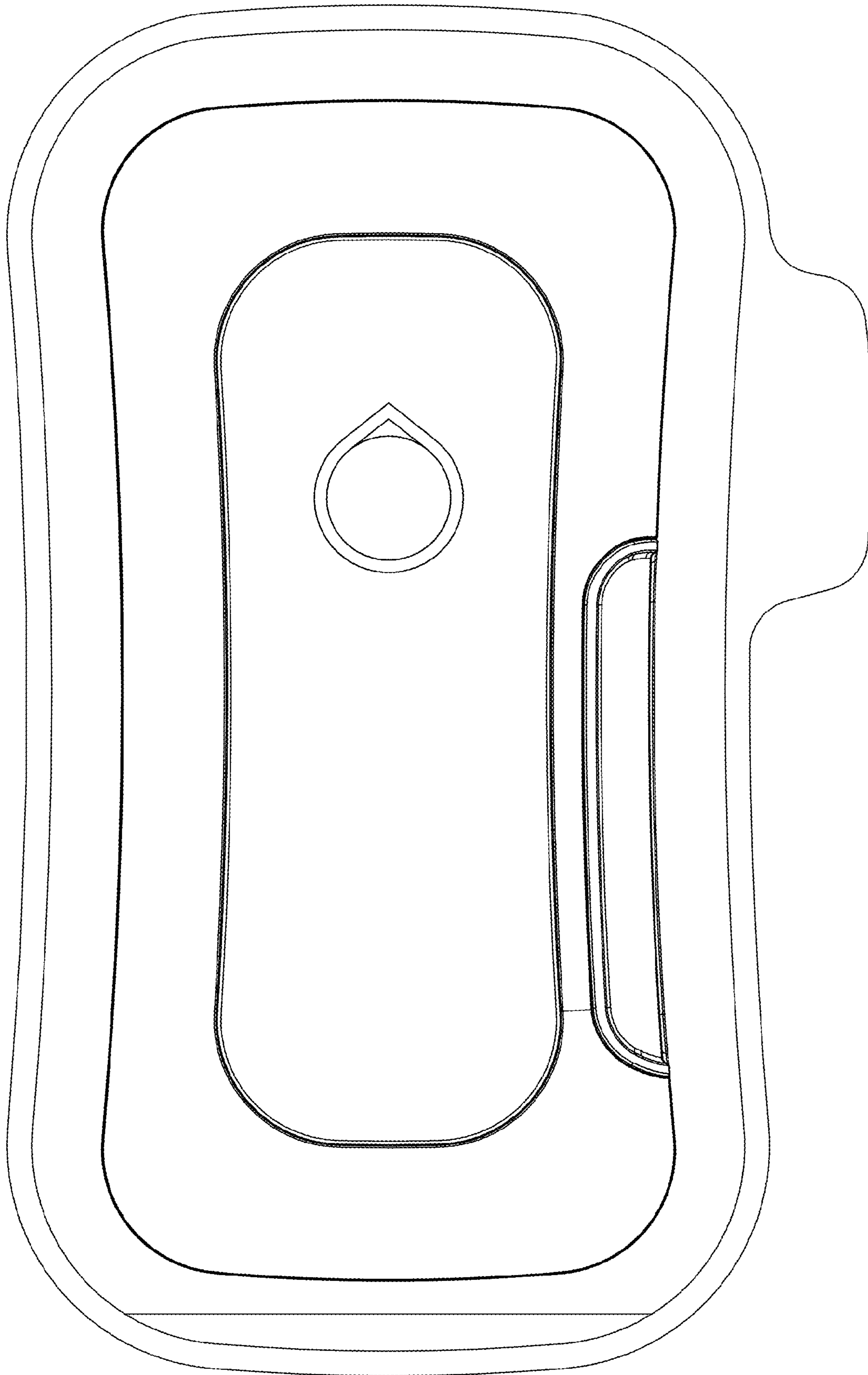


FIG. 6

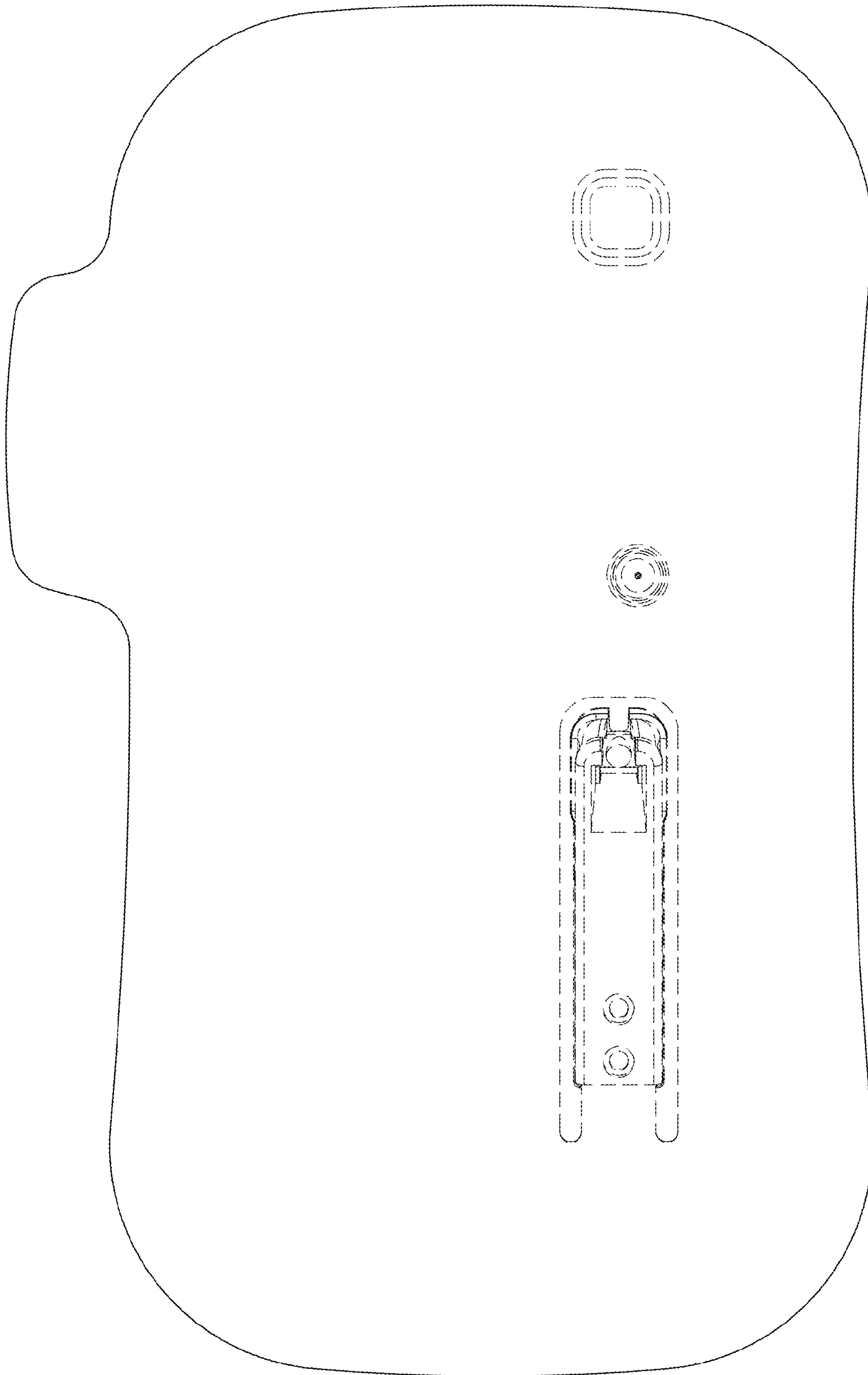


FIG. 7

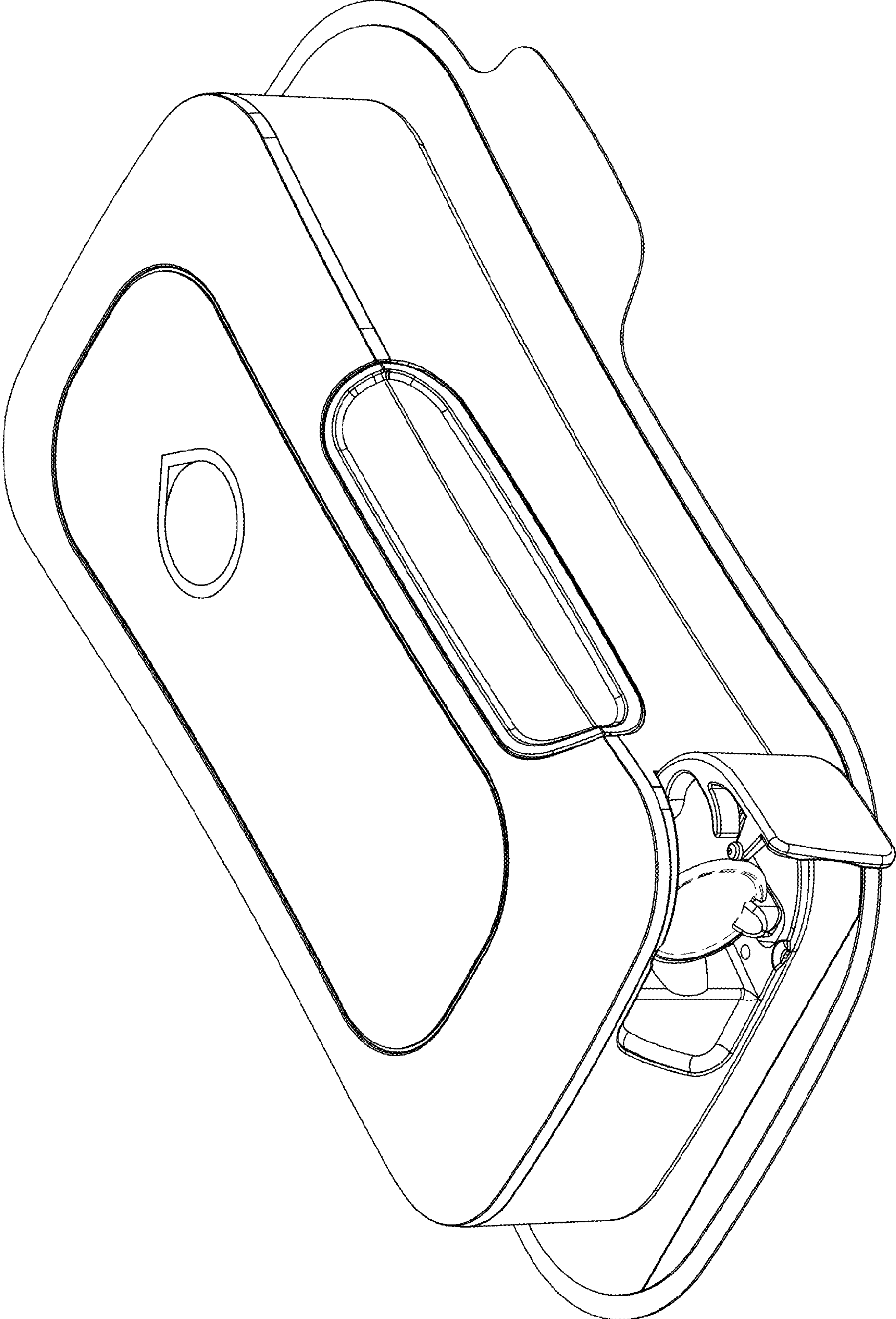


FIG. 8