



US00D882759S

(12) **United States Design Patent**
Juretich et al.

(10) **Patent No.:** **US D882,759 S**
(45) **Date of Patent:** **** Apr. 28, 2020**

(54) **IN-LINE OCCLUDER**

(71) Applicant: **ZEVEX, INC.**, Salt Lake City, UT (US)

(72) Inventors: **Jeffery T. Juretich**, Herriman, UT (US); **David S. Bennett**, South Jordan, UT (US); **Marijus Razvadauskas**, Vilnius (LT); **Marius Normantas**, Kaunas (LT)

(73) Assignee: **Zevex, Inc.**, Salt Lake City, UT (US)

(**) Term: **15 Years**

(21) Appl. No.: **29/647,476**

(22) Filed: **May 14, 2018**

(51) **LOC (12) Cl.** **24-02**

(52) **U.S. Cl.**
USPC **D24/111; D24/129**

(58) **Field of Classification Search**
USPC **D24/108, 111-115, 117, 121, 129**
(Continued)

(56) **References Cited**

U.S. PATENT DOCUMENTS

D389,228 S 1/1998 Winterer et al.
D455,489 S 4/2002 Beck et al.
(Continued)

Primary Examiner — Lilyana Bekic

(74) *Attorney, Agent, or Firm* — Hodgson Russ LLP

(57) **CLAIM**

The ornamental design for an in-line occluder, as shown and described.

DESCRIPTION

FIG. 1 is a perspective view of a first embodiment of an in-line occluder, wherein the inline occluder is formed of an opaque material;

FIG. 2 is a front elevation view thereof;
FIG. 3 is a rear elevation view thereof;
FIG. 4 is a right side elevation view thereof;
FIG. 5 is a left side elevation view thereof;
FIG. 6 is a top plan view thereof;
FIG. 7 is a bottom plan view thereof;
FIG. 8 is a perspective view of a second embodiment of an in-line occluder, wherein the inline occluder is formed of a transparent material;
FIG. 9 is a front elevation view thereof;
FIG. 10 is a rear elevation view thereof;
FIG. 11 is a right side elevation view thereof;
FIG. 12 is a left side elevation view thereof;
FIG. 13 is a top plan view thereof;
FIG. 14 is a bottom plan view thereof;
FIG. 15 is a perspective view of the in-line occluder of FIGS. 1-7, wherein the in-line occluder is shown in a first enteral feeding pump cassette environment, wherein the first enteral feeding pump cassette environment is formed of the same opaque material as the in-line occluder;
FIG. 16 is a front elevation view thereof;
FIG. 17 is a rear elevation view thereof;
FIG. 18 is a right side elevation view thereof;
FIG. 19 is a left side elevation view thereof;
FIG. 20 is a top plan view thereof;
FIG. 21 is a bottom plan view thereof;
FIG. 22 is a perspective view of the in-line occluder of FIGS. 8-14, wherein the in-line occluder is shown in the first enteral feeding pump cassette environment, wherein the first enteral feeding pump cassette environment is formed of the same transparent material as the in-line occluder;
FIG. 23 is a front elevation view thereof;
FIG. 24 is a rear elevation view thereof;
FIG. 25 is a right side elevation view thereof;
FIG. 26 is a left side elevation view thereof;
FIG. 27 is a top plan view thereof;
FIG. 28 is a bottom plan view thereof;
FIG. 29 is a perspective view of the in-line occluder of FIGS. 1-7, wherein the in-line occluder is shown in a second enteral feeding pump cassette environment, wherein the second enteral feeding pump cassette environment is formed of the same opaque material as the in-line occluder;
FIG. 30 is a front elevation view thereof;

(Continued)

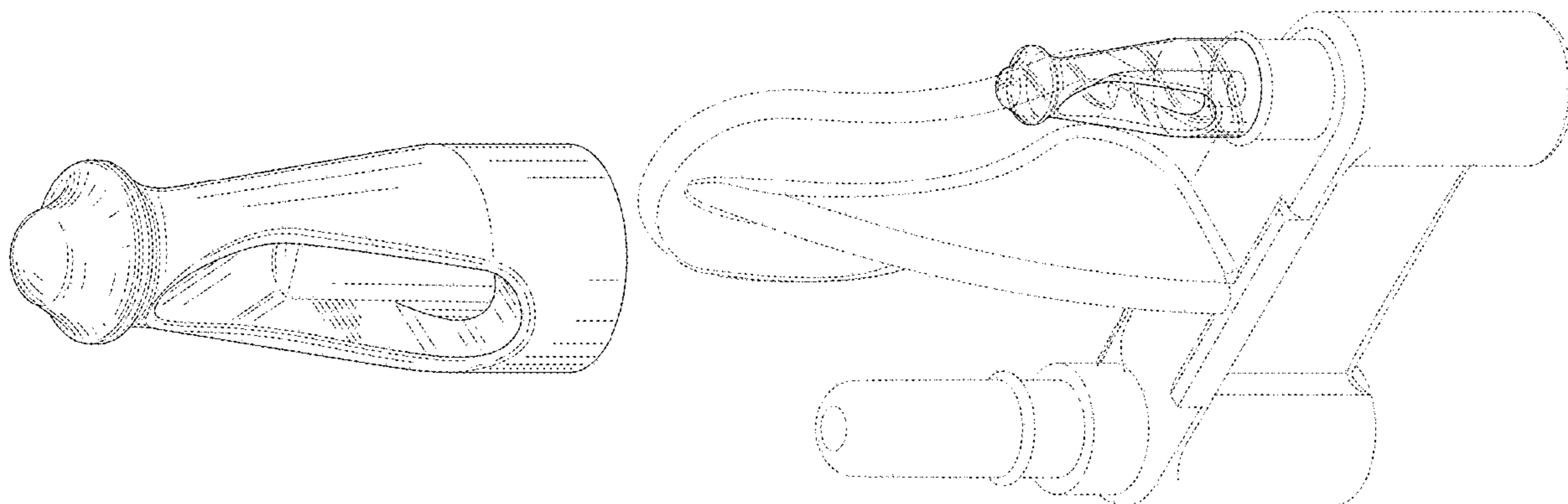


FIG. 31 is a rear elevation view thereof;
 FIG. 32 is a right side elevation view thereof;
 FIG. 33 is a left side elevation view thereof;
 FIG. 34 is a top plan view thereof;
 FIG. 35 is a bottom plan view thereof;
 FIG. 36 is a perspective view of the in-line occluder of FIGS. 8-14, wherein the in-line occluder is shown in the second enteral feeding pump cassette environment, wherein the second enteral feeding pump cassette environment is formed of the same transparent material as the in-line occluder;
 FIG. 37 is a front elevation view thereof;
 FIG. 38 is a rear elevation view thereof;
 FIG. 39 is a right side elevation view thereof;
 FIG. 40 is a left side elevation view thereof;
 FIG. 41 is a top plan view thereof;
 FIG. 42 is a bottom plan view thereof;
 FIG. 43 is a perspective view of the in-line occluder of FIGS. 1-7, wherein the in-line occluder is shown in a third enteral feeding pump cassette environment, wherein the third enteral feeding pump cassette environment is formed of the same opaque material as the in-line occluder;
 FIG. 44 is a front elevation view thereof;
 FIG. 45 is a rear elevation view thereof;
 FIG. 46 is a right side elevation view thereof;
 FIG. 47 is a left side elevation view thereof;
 FIG. 48 is a top plan view thereof;
 FIG. 49 is a bottom plan view thereof;
 FIG. 50 is a perspective view of the in-line occluder of FIGS. 8-14, wherein the in-line occluder is shown in the third enteral feeding pump cassette environment, wherein the third enteral feeding pump cassette environment is formed of the same transparent material as the in-line occluder;
 FIG. 51 is a front elevation view thereof;
 FIG. 52 is a rear elevation view thereof;
 FIG. 53 is a right side elevation view thereof;
 FIG. 54 is a left side elevation view thereof;
 FIG. 55 is a top plan view thereof; and,
 FIG. 56 is a bottom plan view thereof.
 The broken line showing of the enteral feeding pump cassettes in FIGS. 15-56 depict environmental structure and form no part of the claimed design.

1 Claim, 40 Drawing Sheets

(58) **Field of Classification Search**

CPC A61M 5/14232; A61M 2205/12; A61M 5/14228; A61M 2202/0482; A61M 2205/121

See application file for complete search history.

(56) **References Cited**

U.S. PATENT DOCUMENTS

6,659,976	B2	12/2003	Beck et al.	
D501,924	S	2/2005	Cise et al.	
6,852,094	B2	2/2005	Beck et al.	
D503,799	S	4/2005	Beck	
D503,978	S	4/2005	Beck	
D504,506	S	4/2005	Beck et al.	
D505,199	S	5/2005	Beck et al.	
D507,647	S	7/2005	Beck et al.	
6,923,785	B2	8/2005	Miles et al.	
D513,320	S *	12/2005	Stubkjaer	D24/111
6,979,311	B2	12/2005	Miles et al.	
D523,553	S	6/2006	Beck et al.	
7,070,575	B2	7/2006	Beck et al.	
7,150,727	B2	12/2006	Cise et al.	
D536,783	S	2/2007	Cise et al.	
7,367,963	B2	5/2008	Cise et al.	
D575,391	S *	8/2008	Py	D24/112
D578,209	S *	10/2008	Schurg	D24/111
D615,191	S *	5/2010	McGill	D24/111
7,815,612	B2	10/2010	Cise et al.	
D634,005	S	3/2011	Beck	
D635,664	S	4/2011	Beck	
7,976,513	B2	7/2011	Cise et al.	
D672,455	S	12/2012	Beck	
8,343,111	B2	1/2013	Beck et al.	
8,425,470	B2	4/2013	Beck et al.	
8,491,543	B2	7/2013	Stringham	
8,876,787	B2	11/2014	Beck et al.	
8,911,414	B2	12/2014	Beck	
D735,320	S	7/2015	Marshall	
D739,931	S	9/2015	Juretich et al.	
9,821,151	B2	11/2017	Juretich et al.	
2011/0092894	A1 *	4/2011	McGill	G16H 20/40 604/29
2015/0202384	A1 *	7/2015	Juretich	A61M 5/14232 604/111
2016/0331891	A1 *	11/2016	Marshall	A61M 5/14228
2016/0339225	A1 *	11/2016	Juretich	A61M 39/12

* cited by examiner

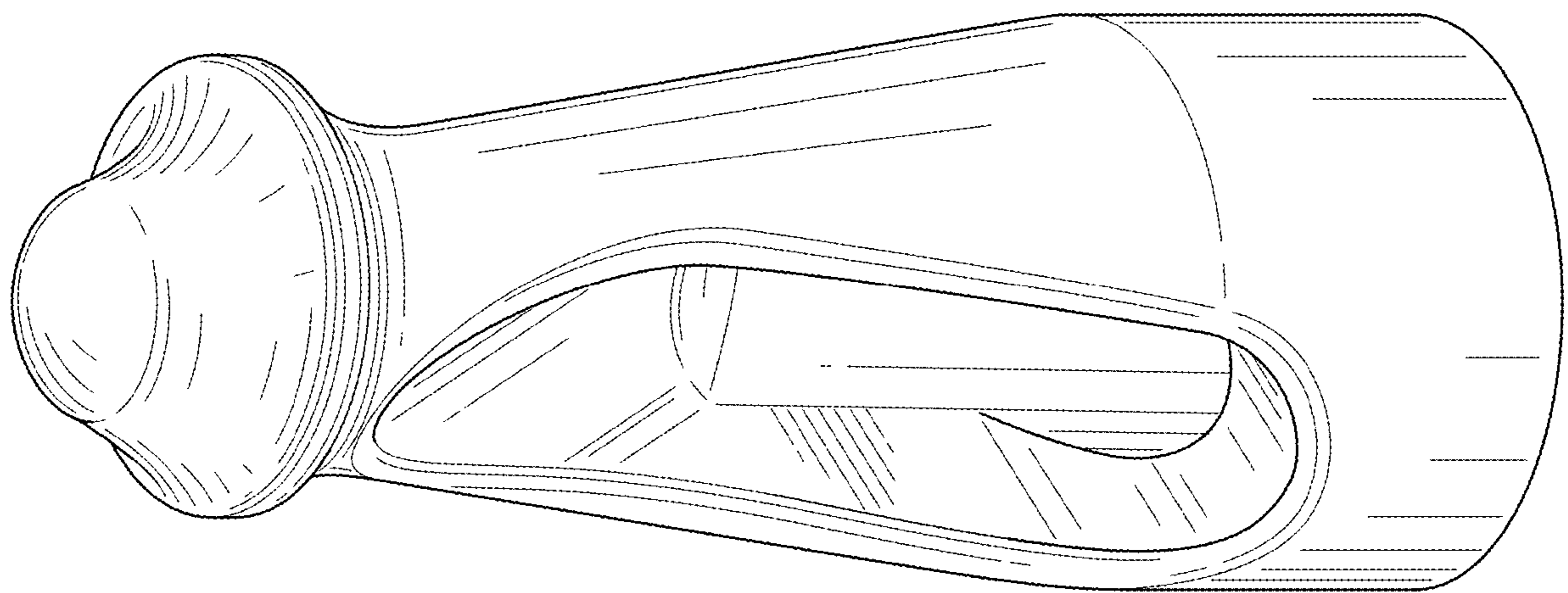


FIG. 1

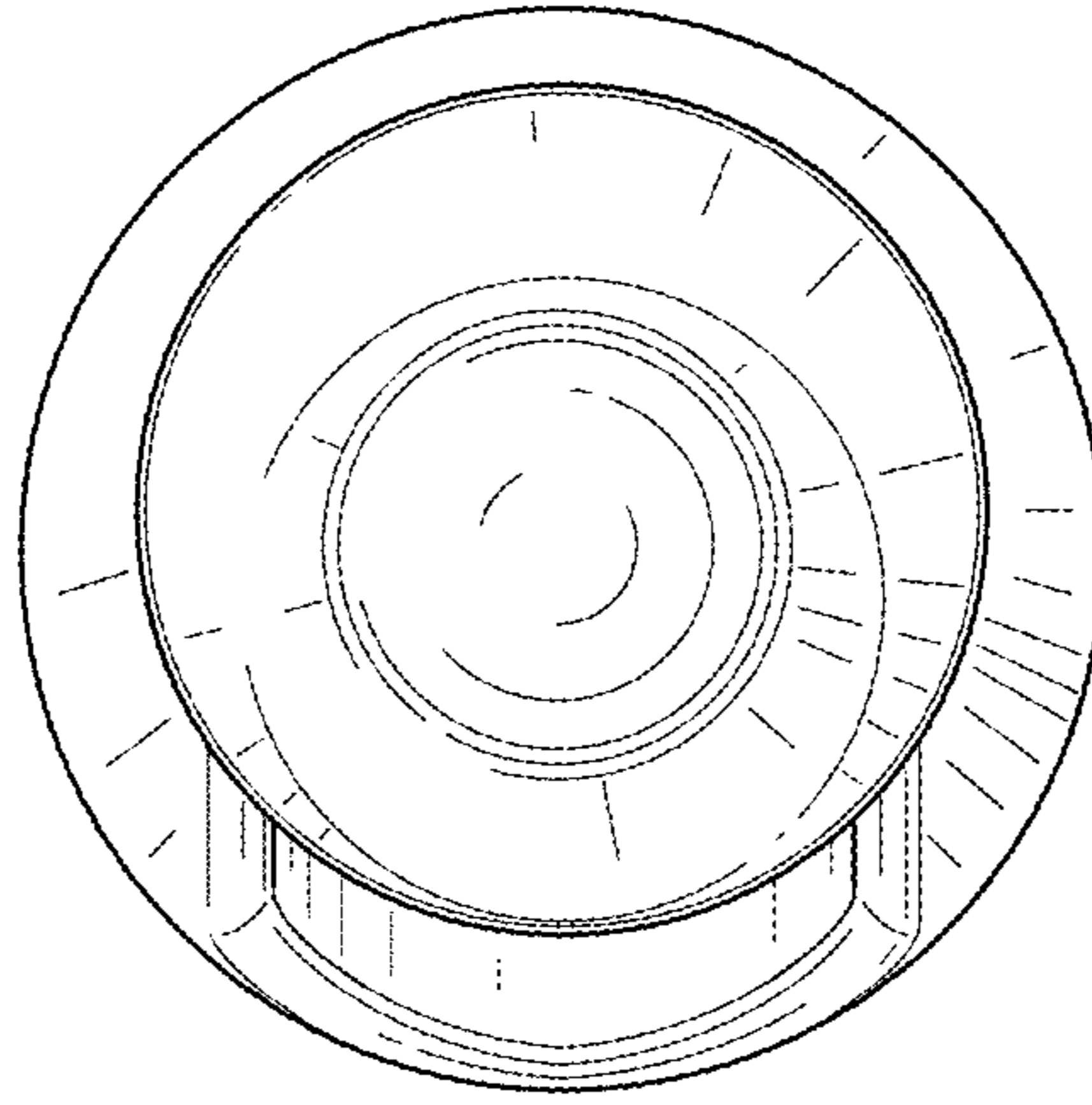


FIG. 2

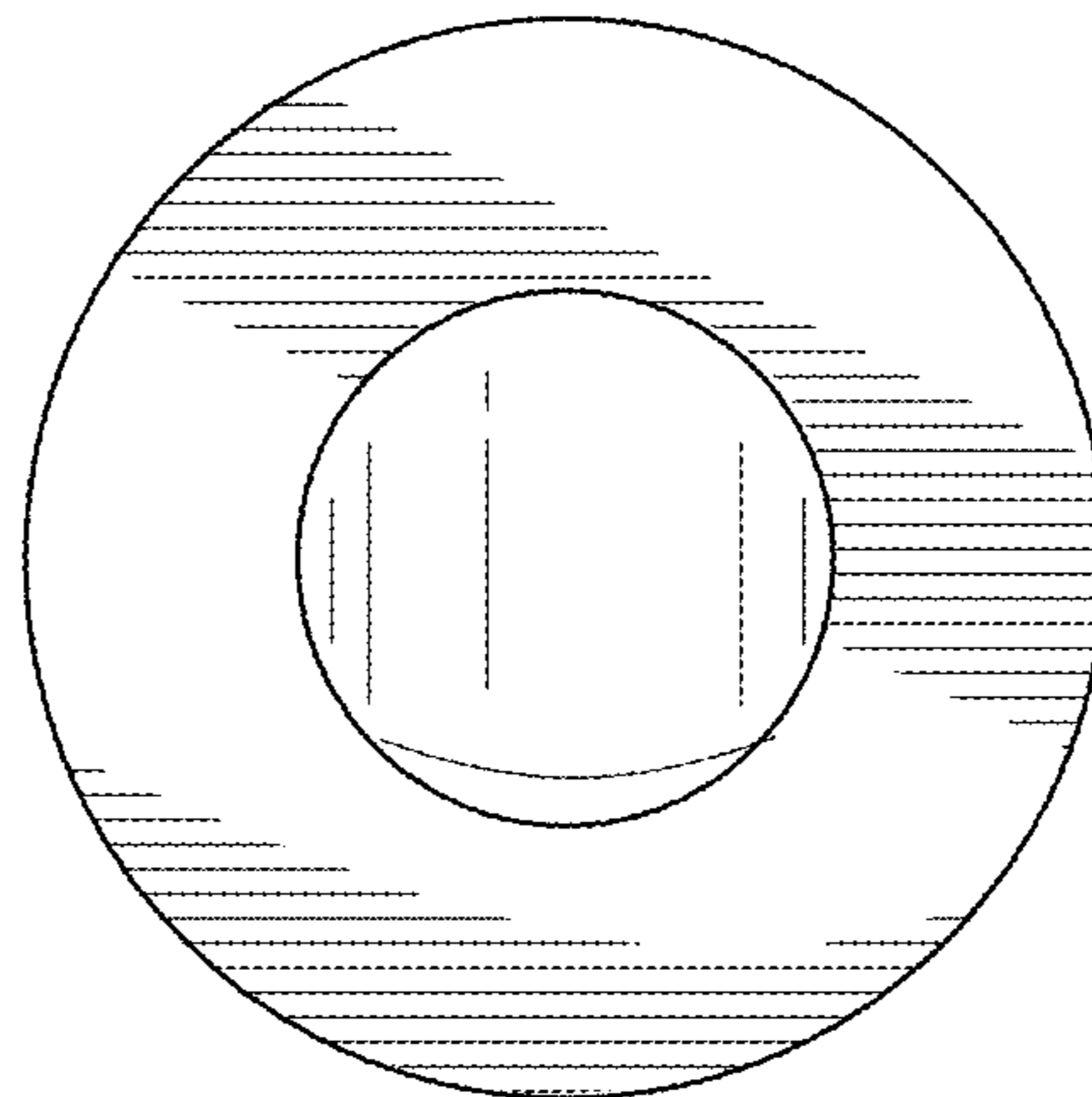


FIG. 3

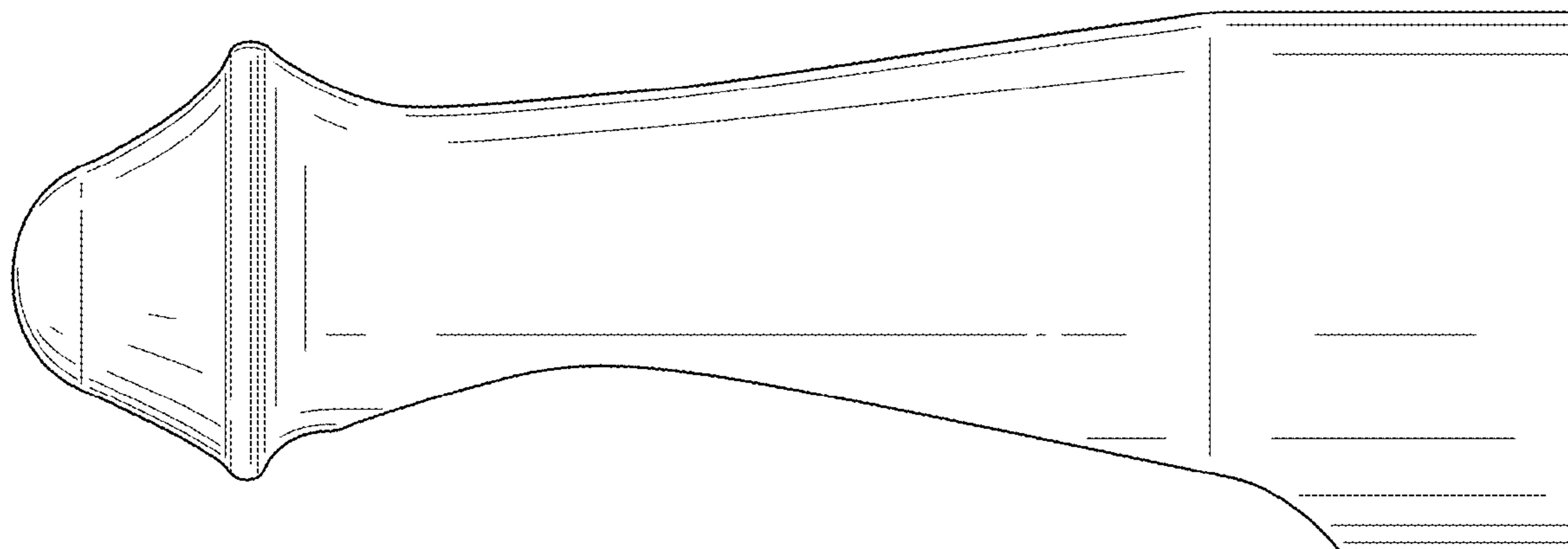


FIG. 4

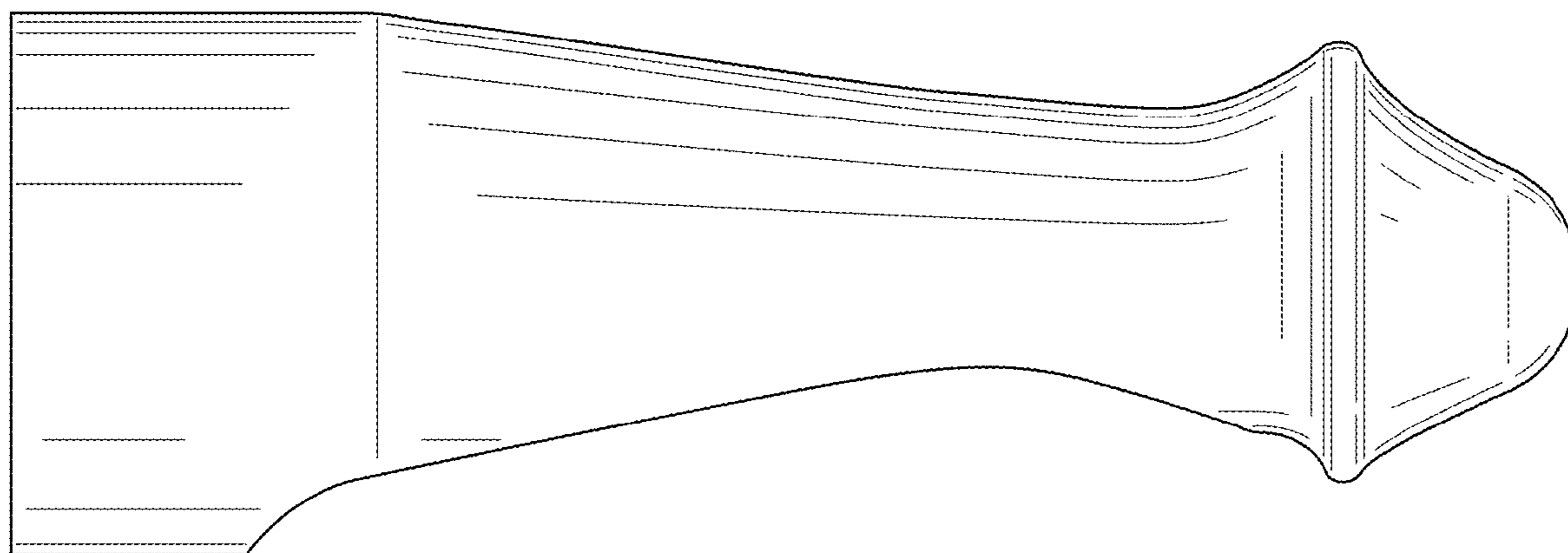


FIG. 5

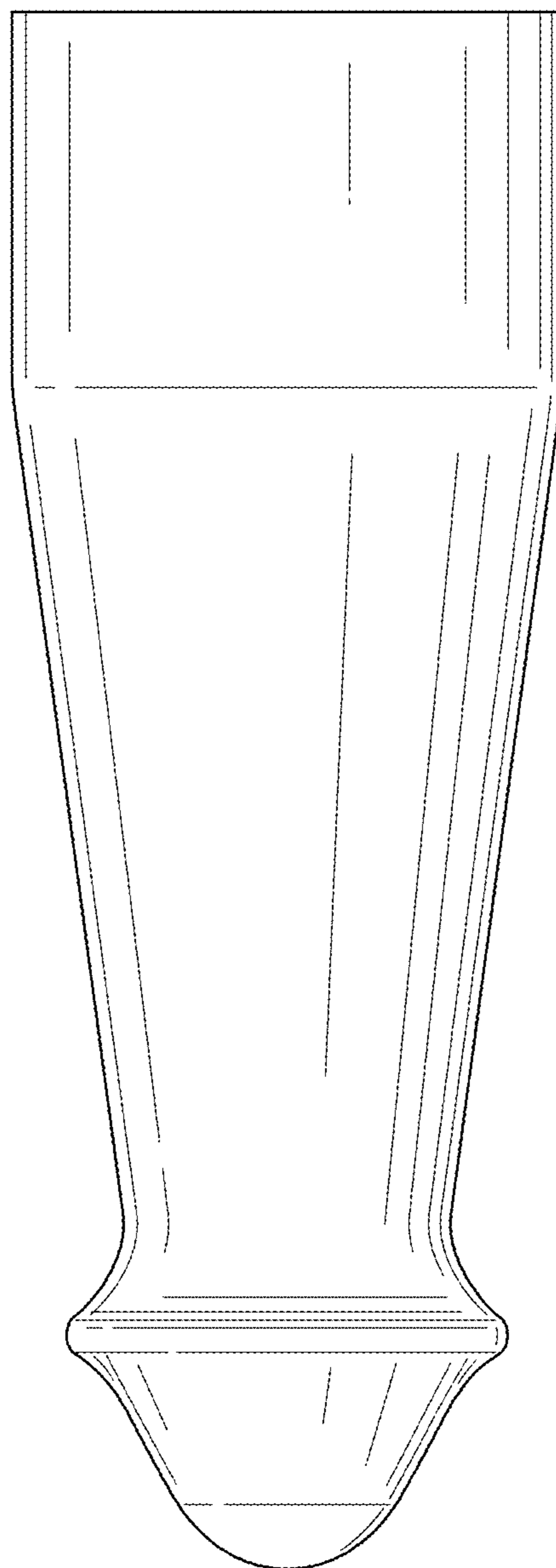


FIG. 6

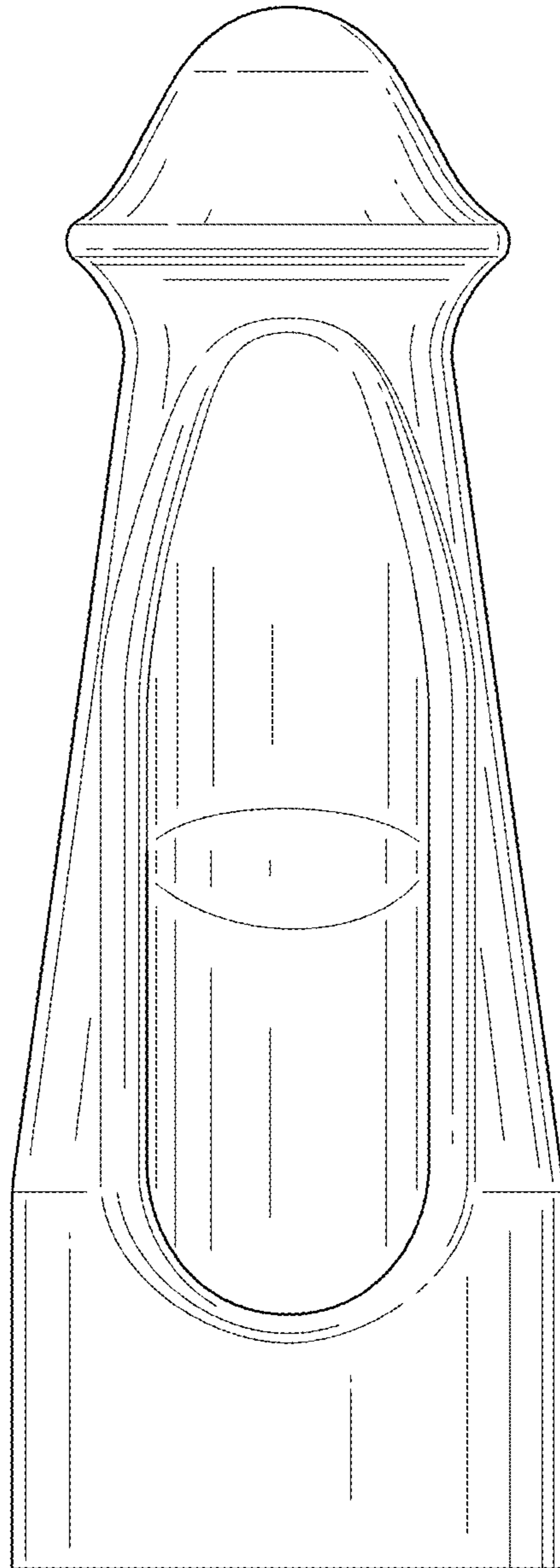


FIG. 7

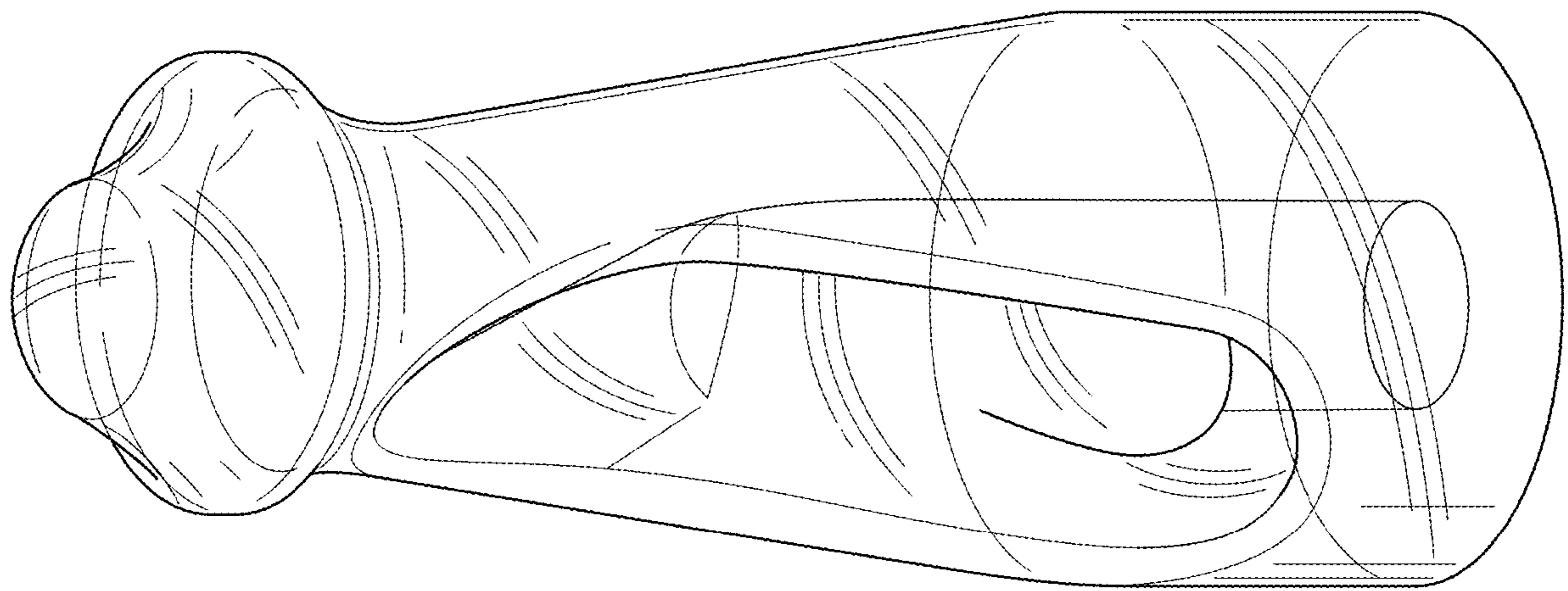


FIG. 8

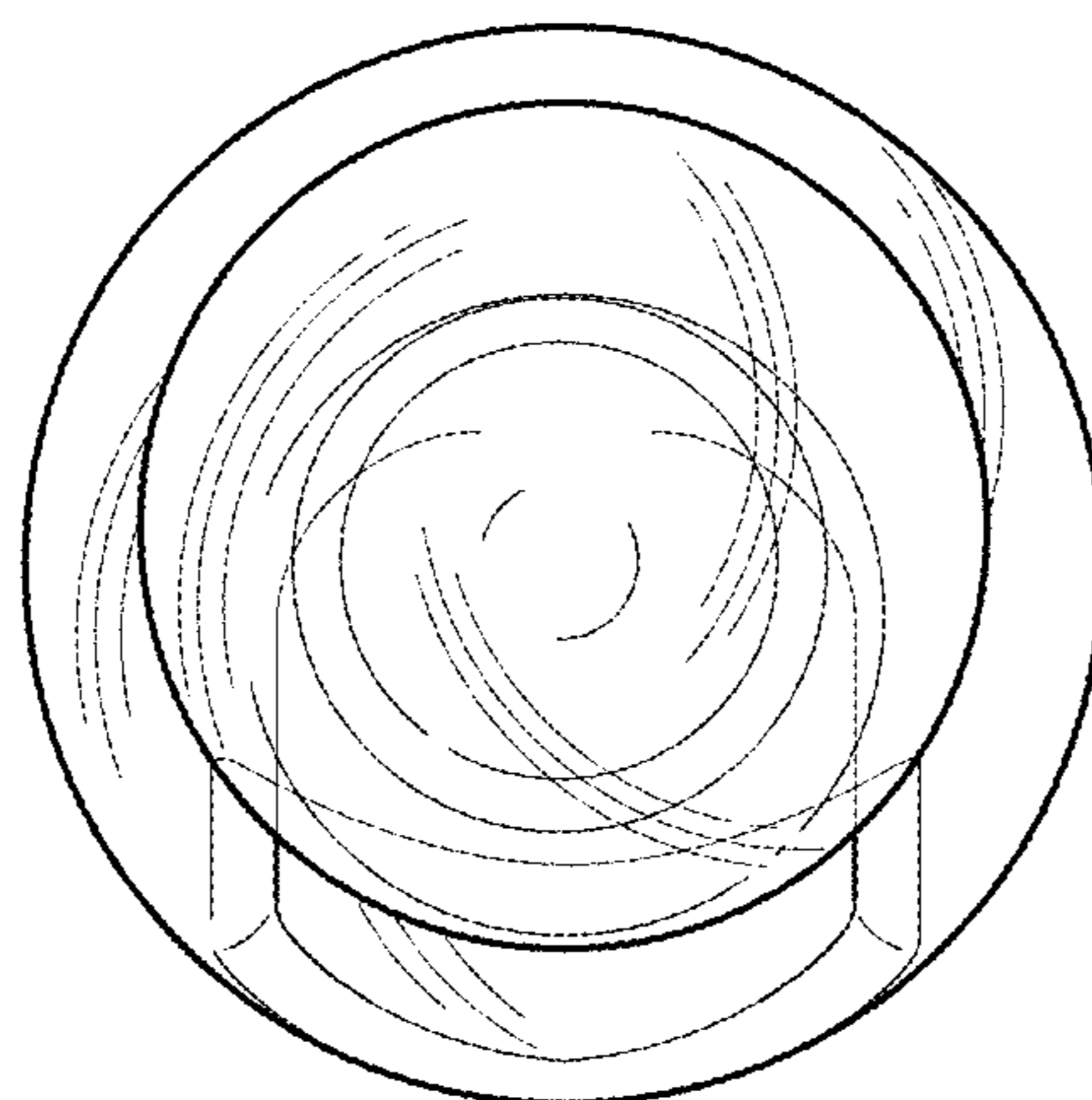


FIG. 9

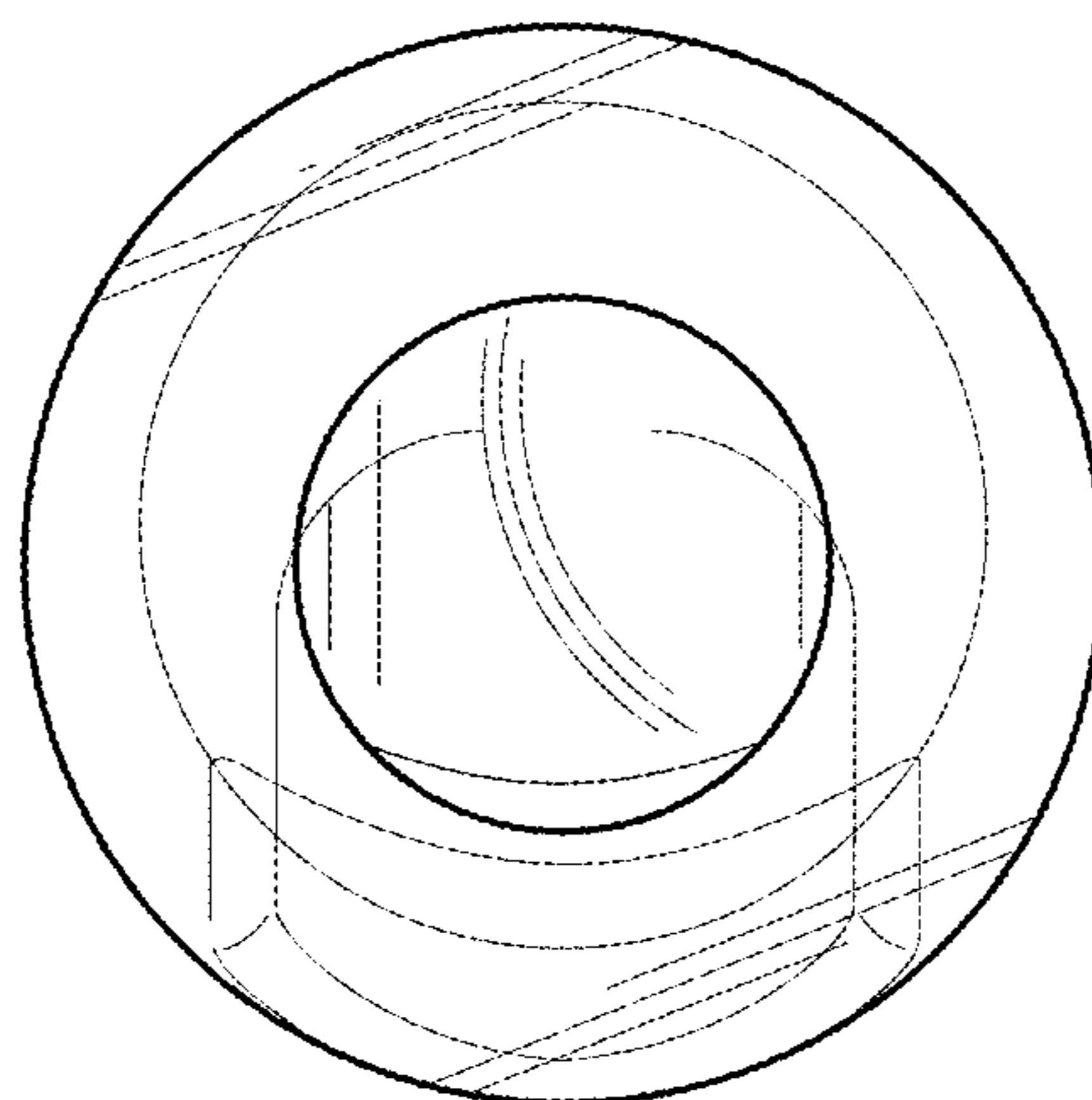


FIG. 10

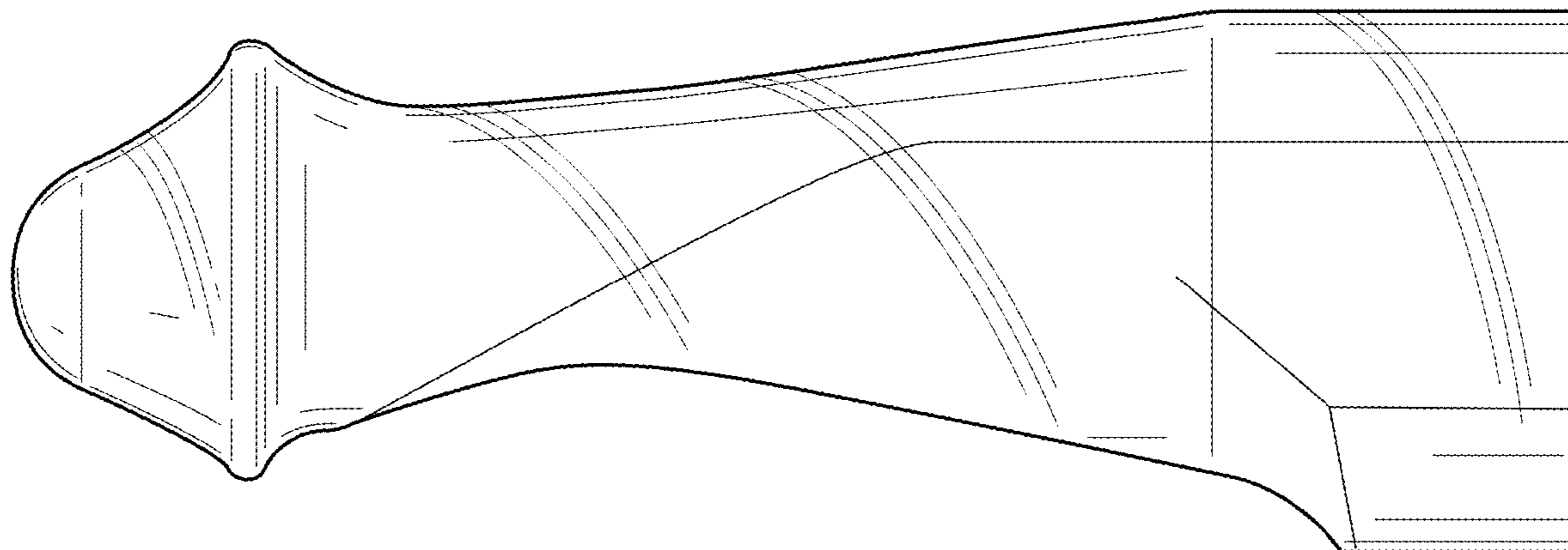


FIG. 11

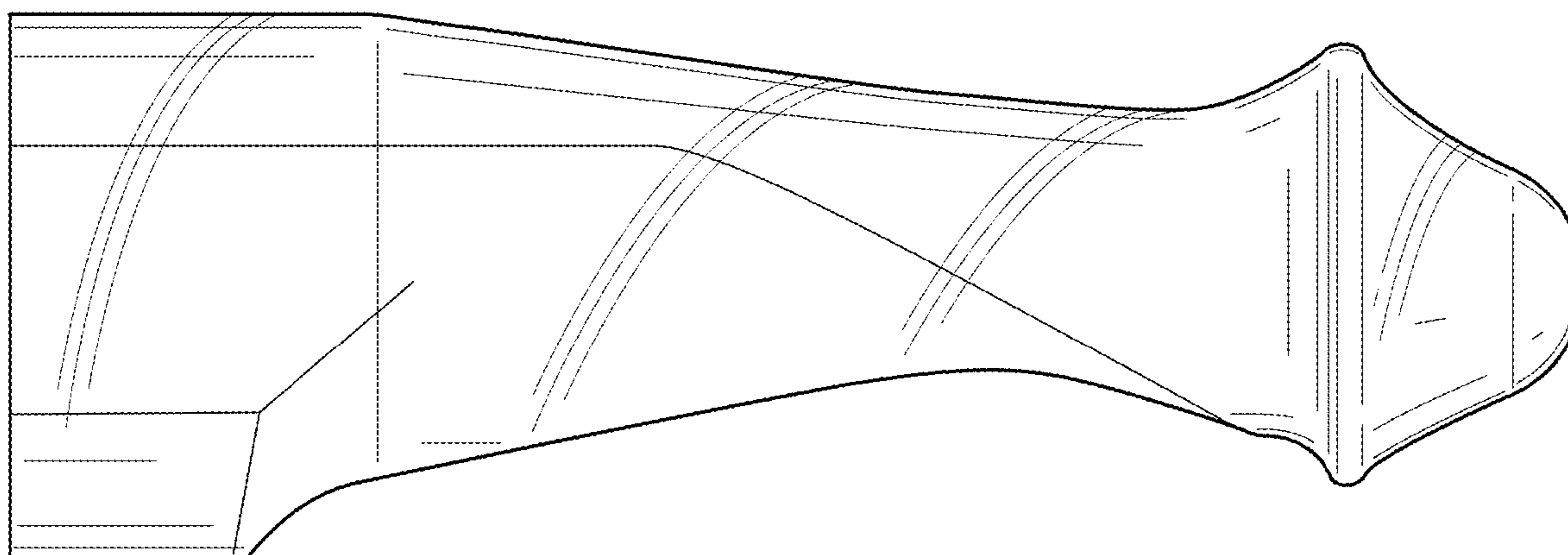


FIG. 12

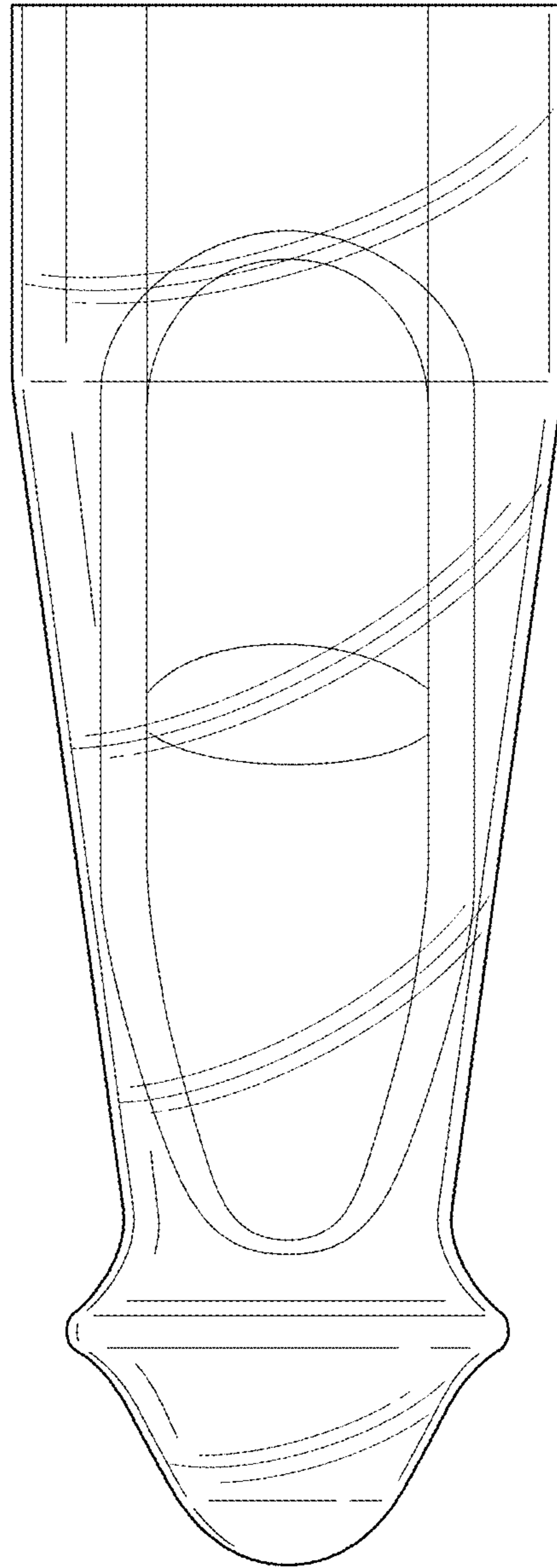


FIG. 13

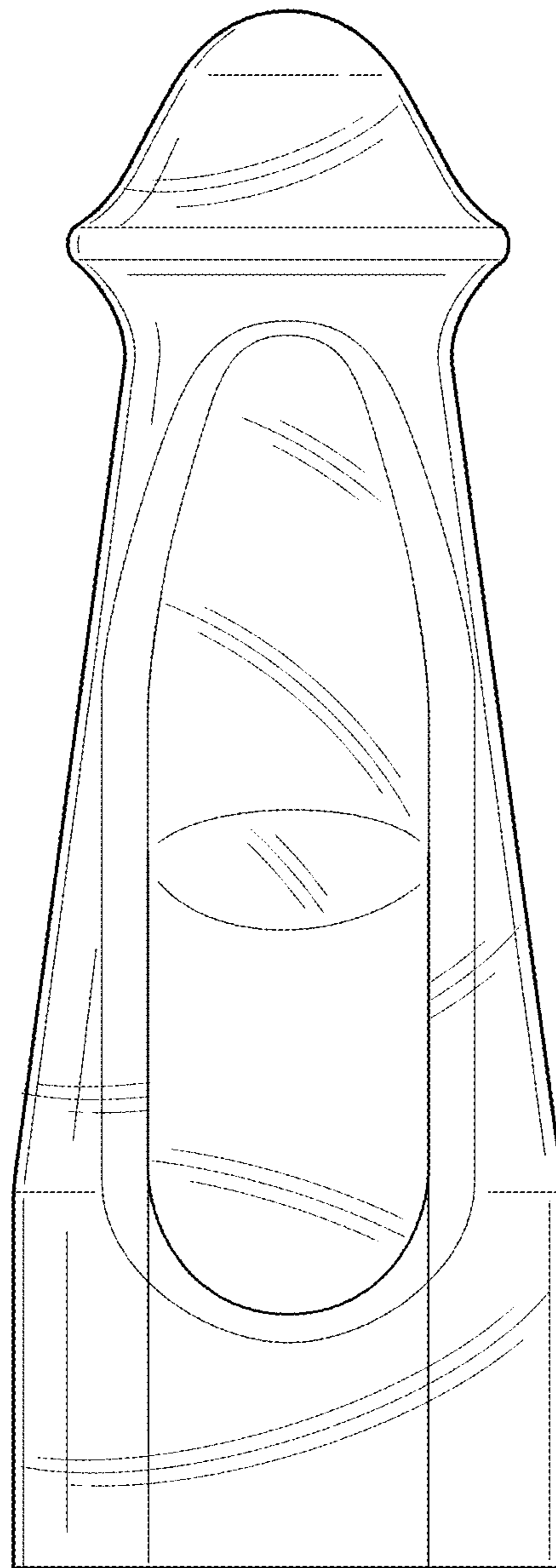


FIG. 14

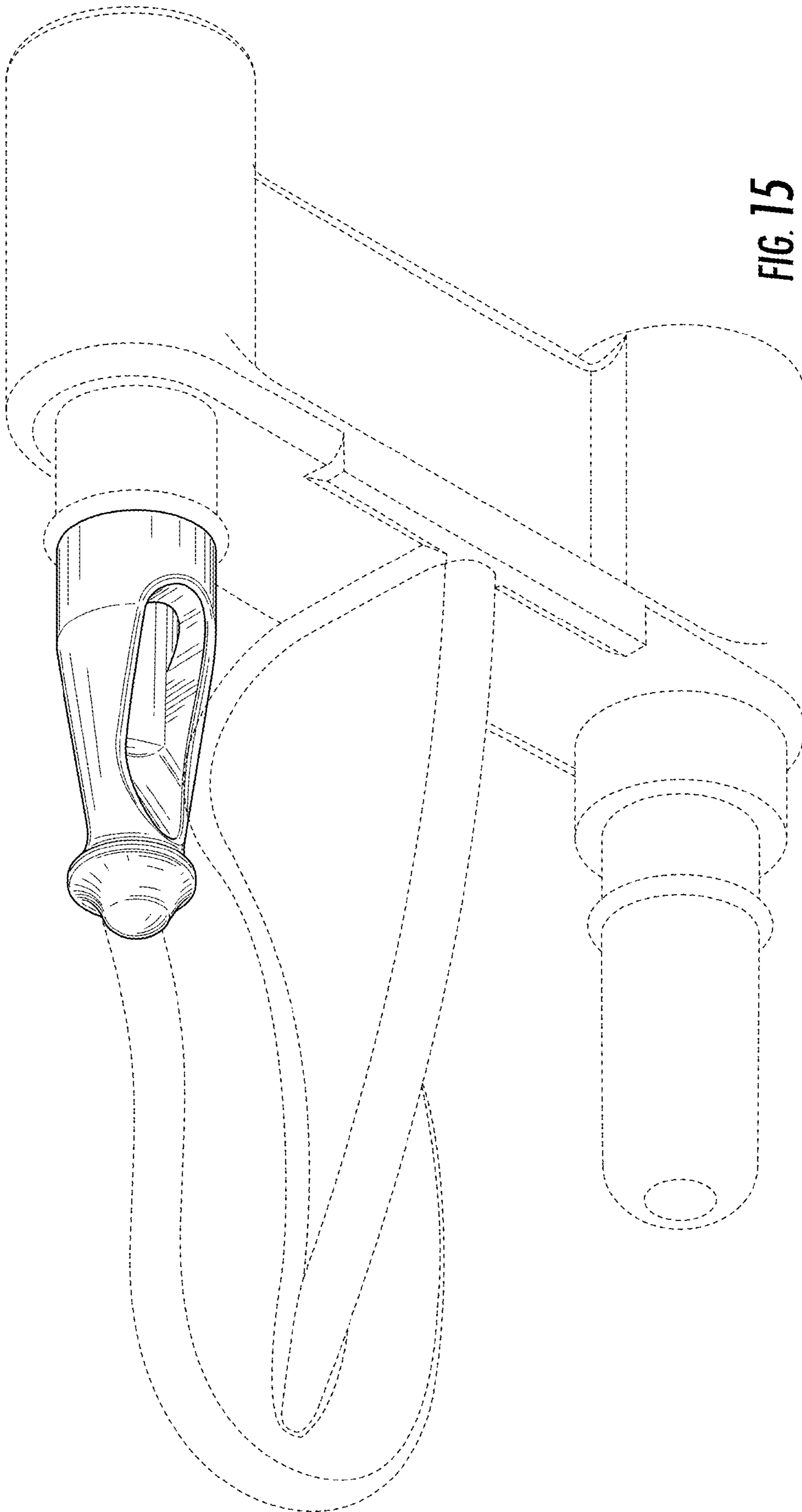


FIG. 15

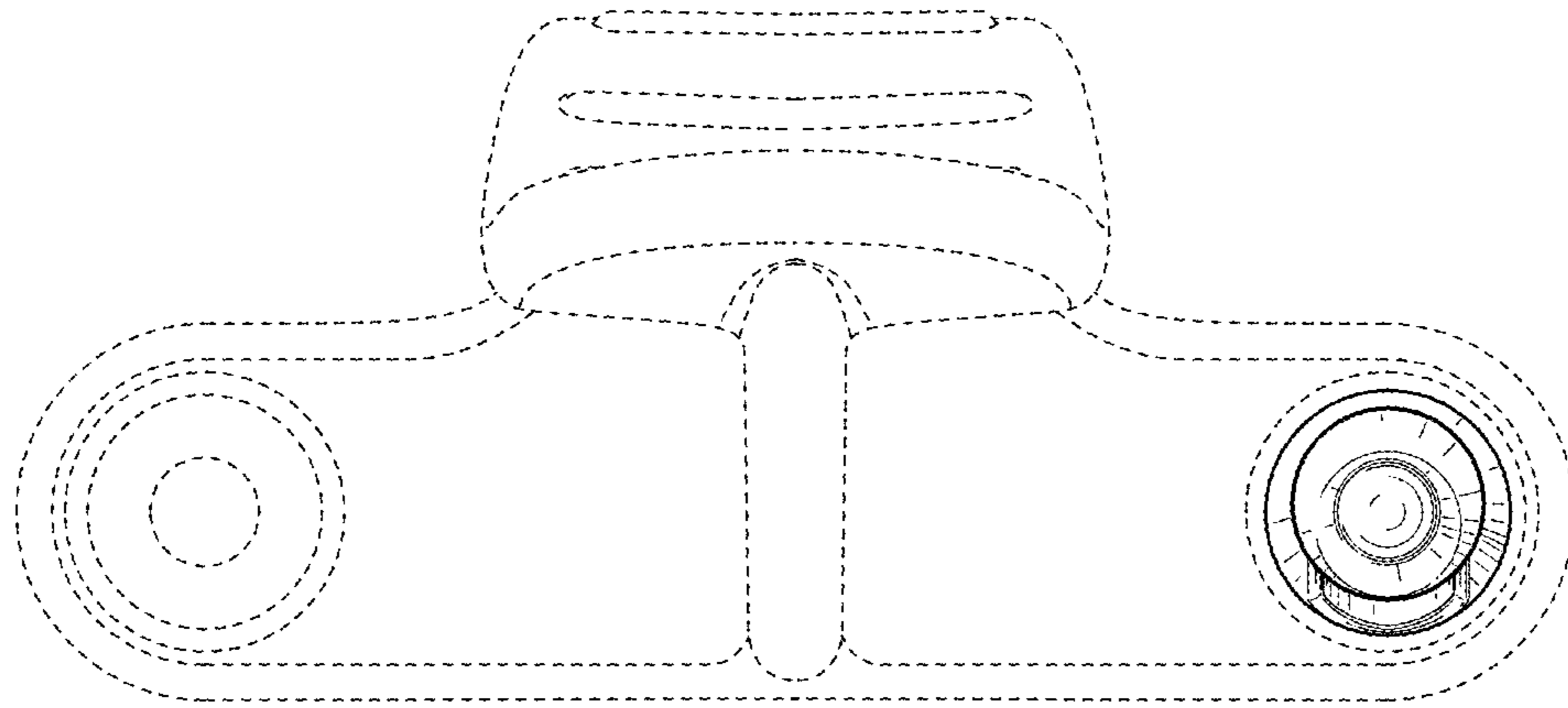


FIG. 17

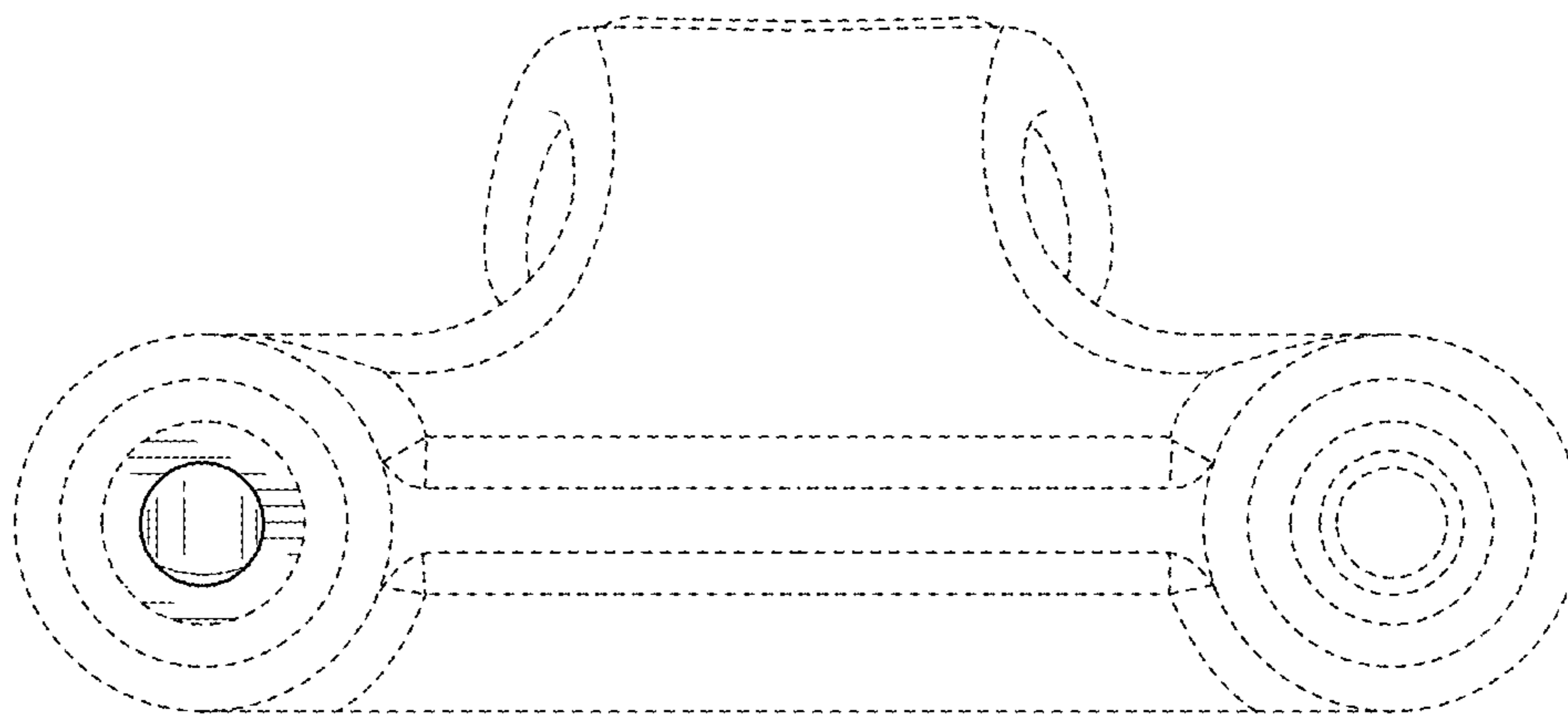


FIG. 16

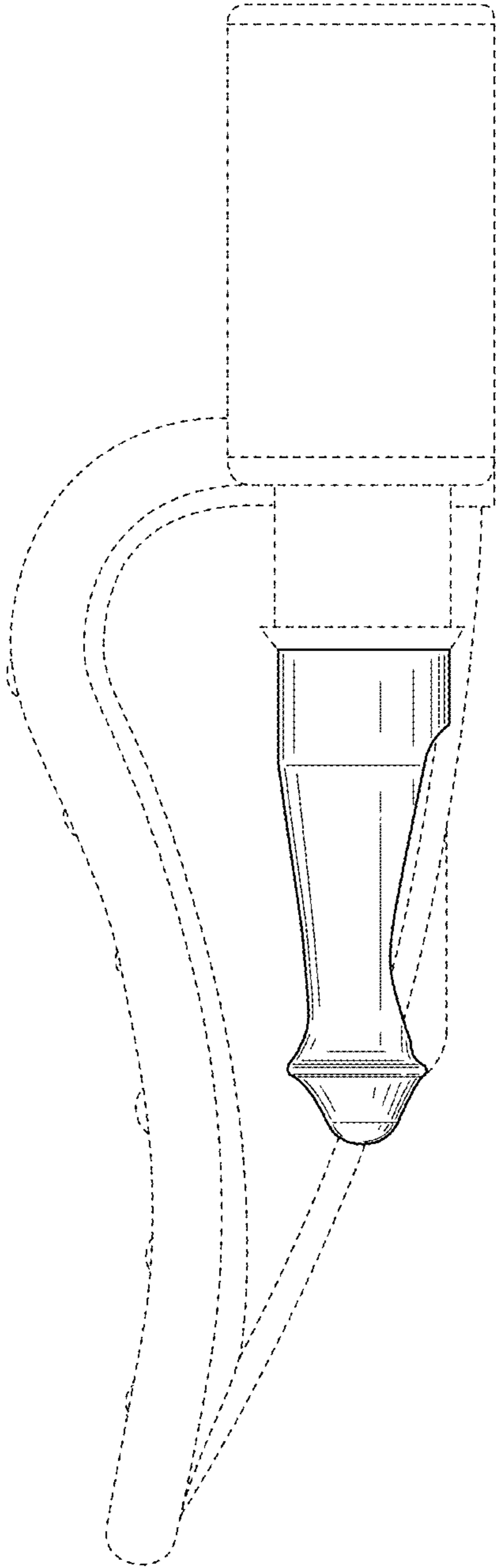


FIG. 18

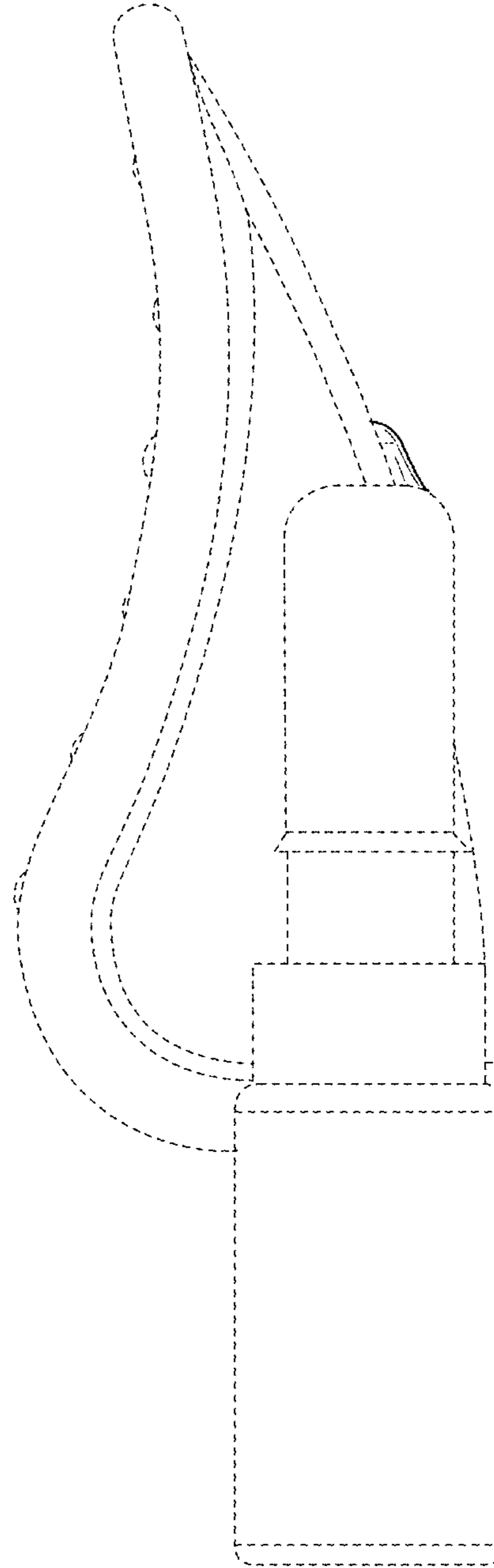


FIG. 19

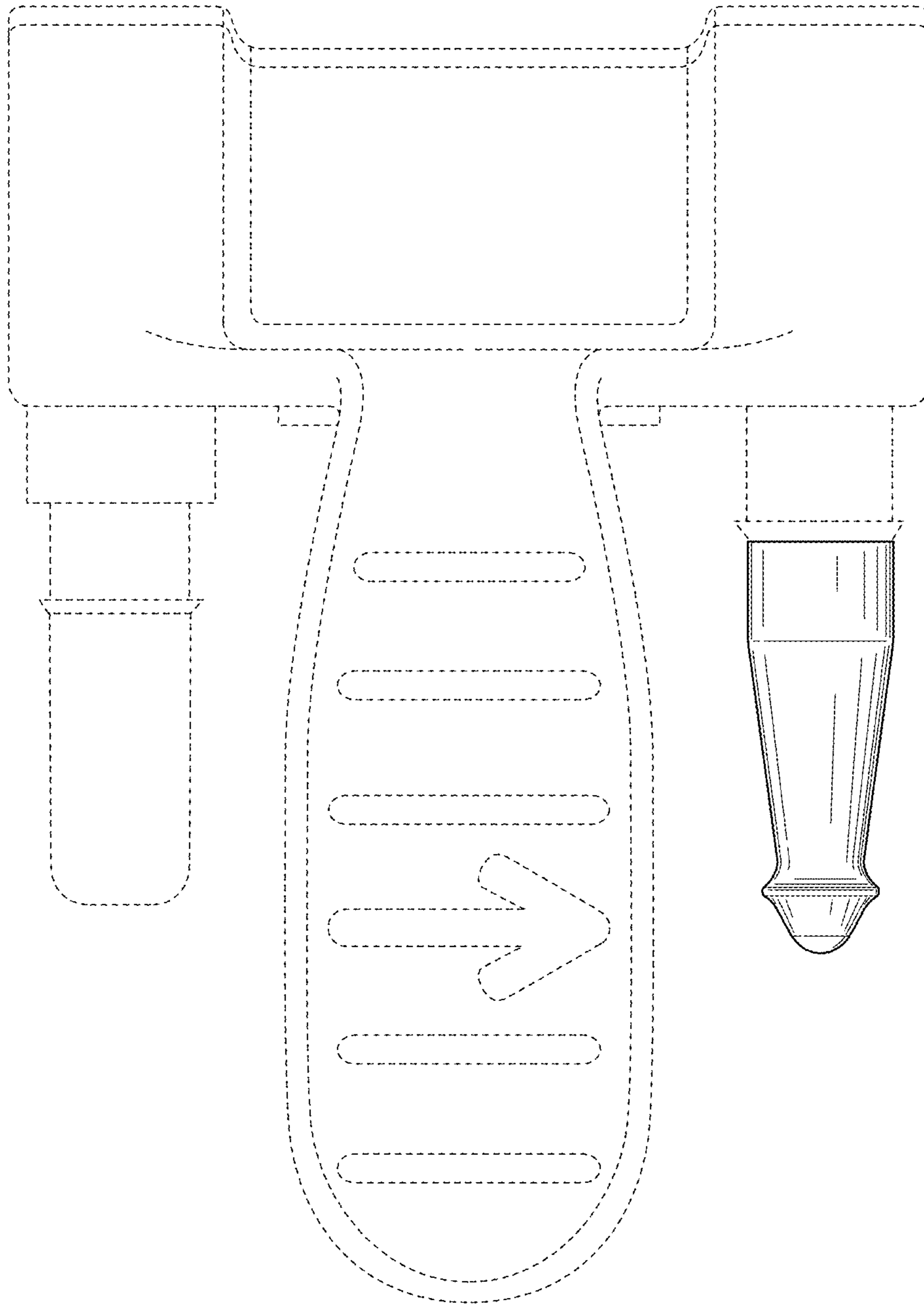


FIG. 20

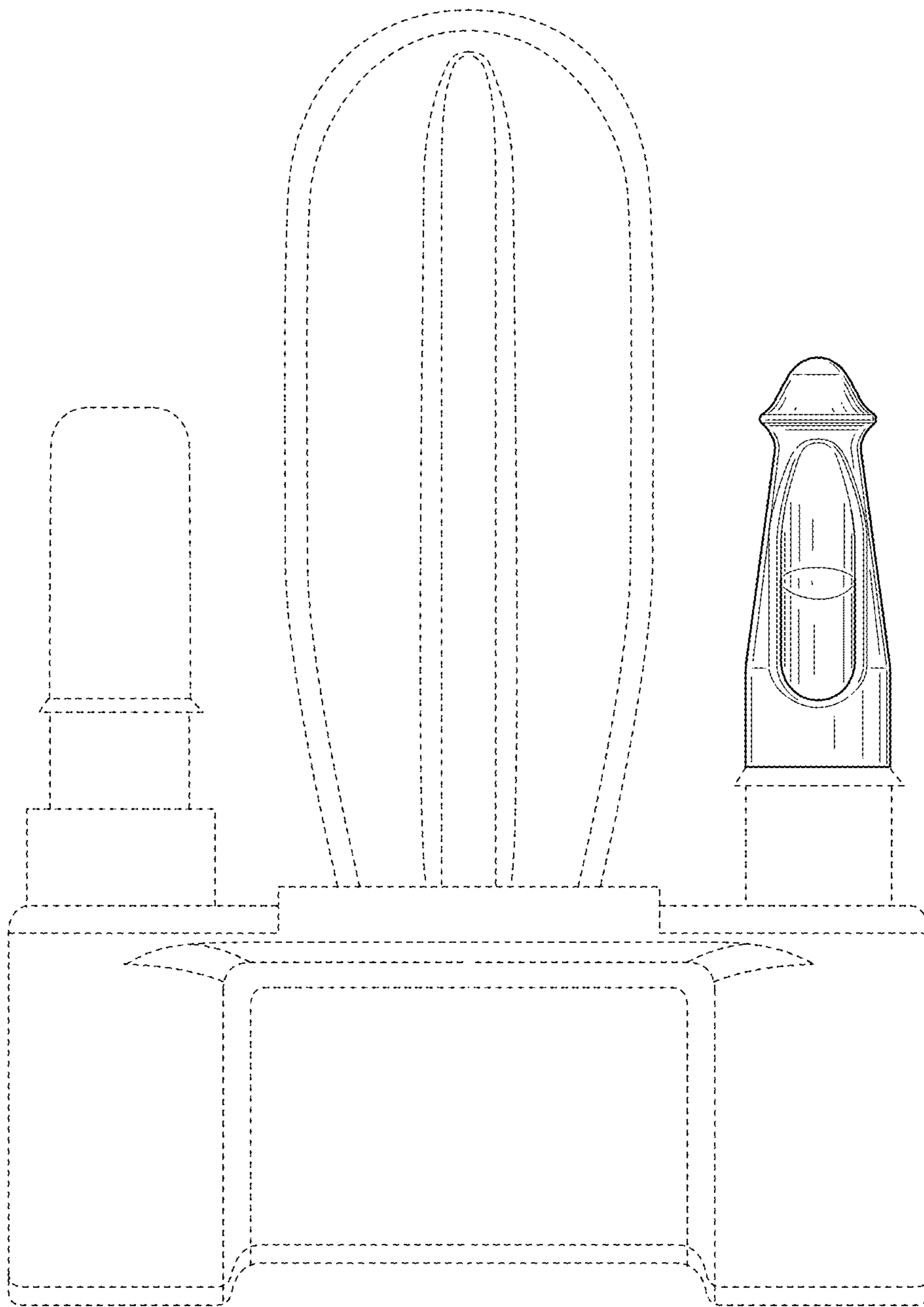


FIG. 21

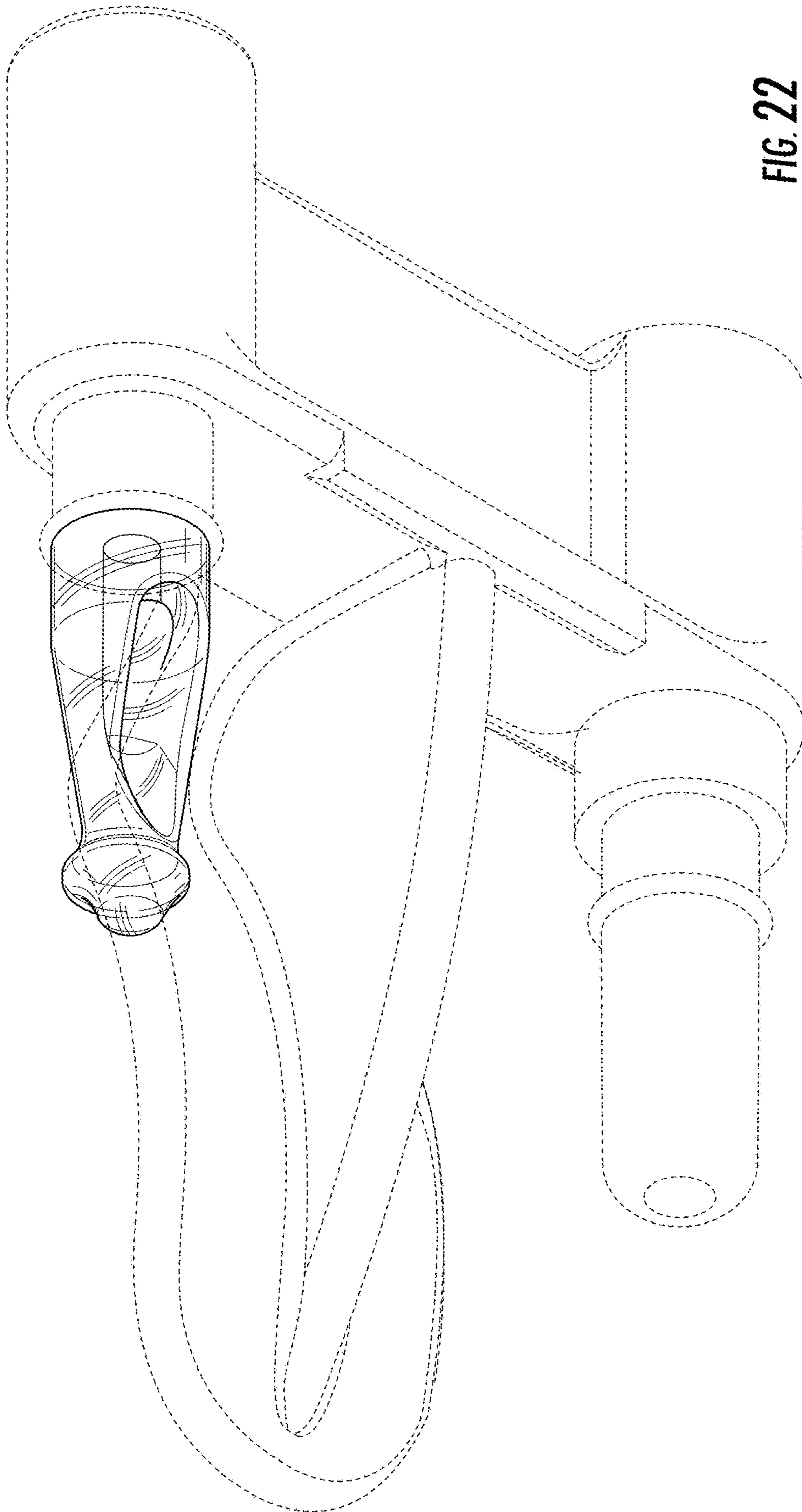


FIG. 22

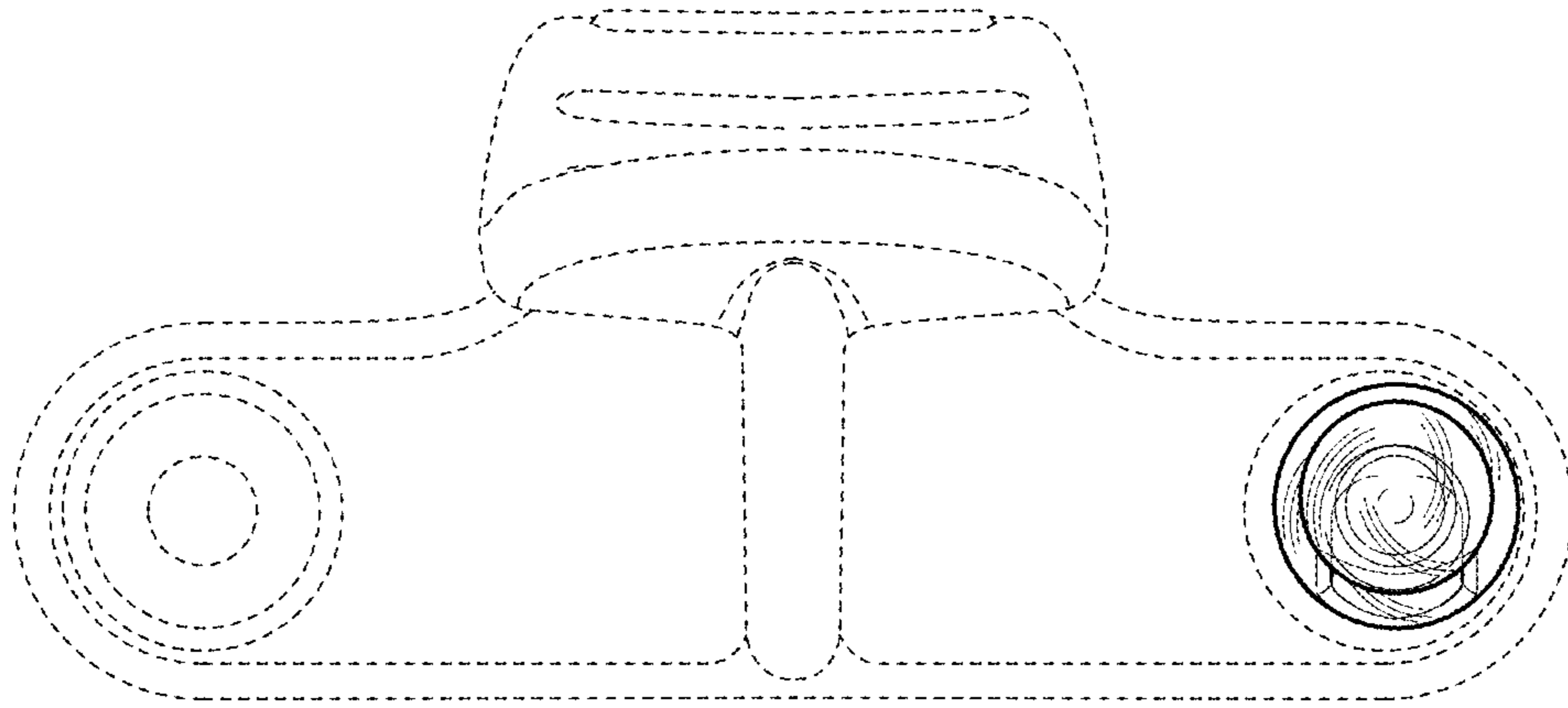


FIG. 23

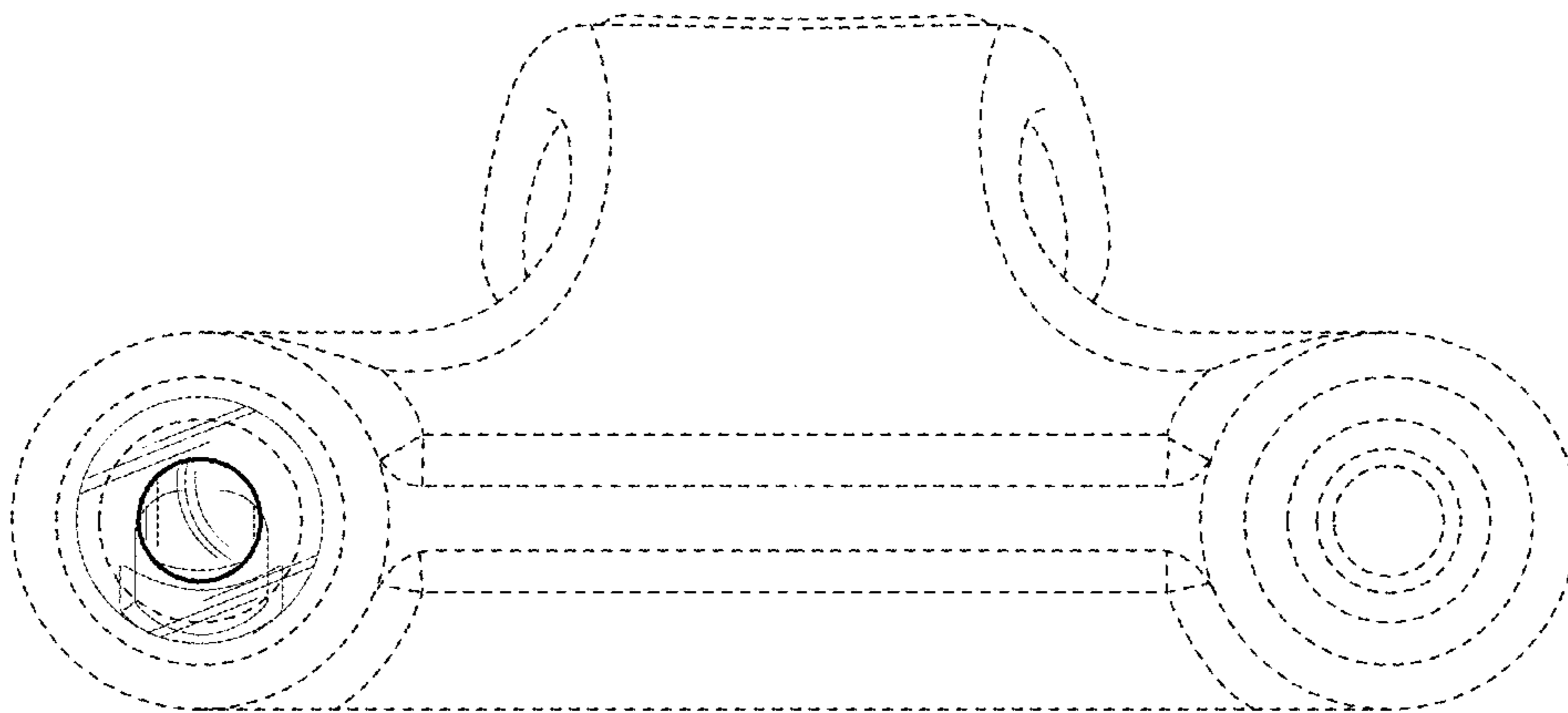


FIG. 24

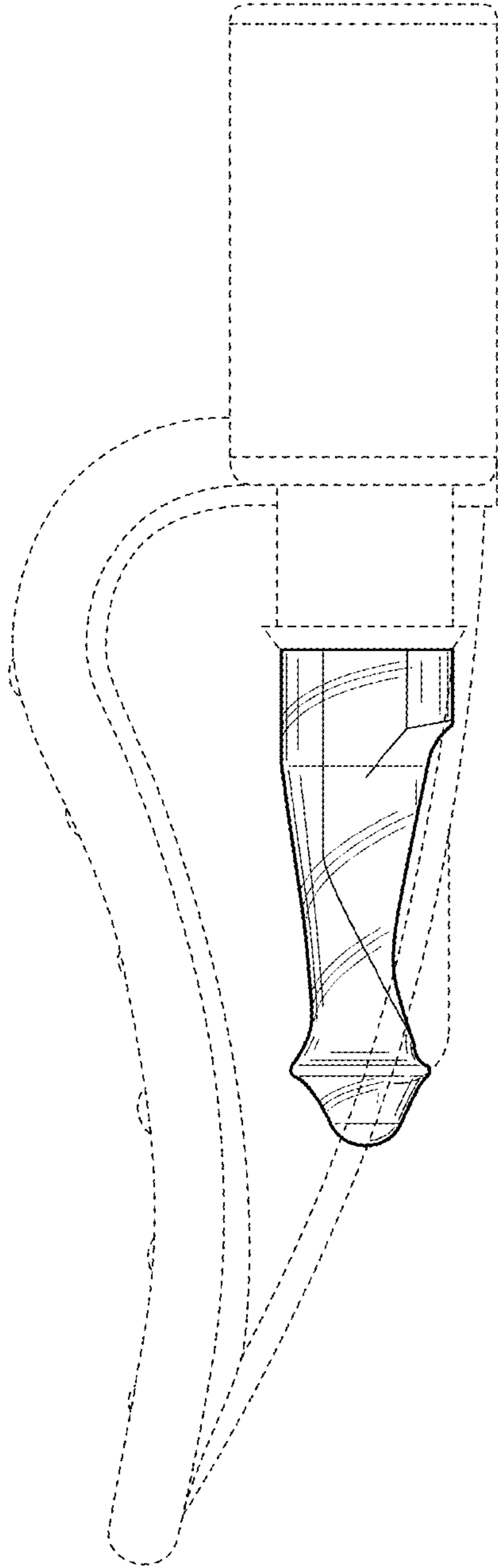


FIG. 25

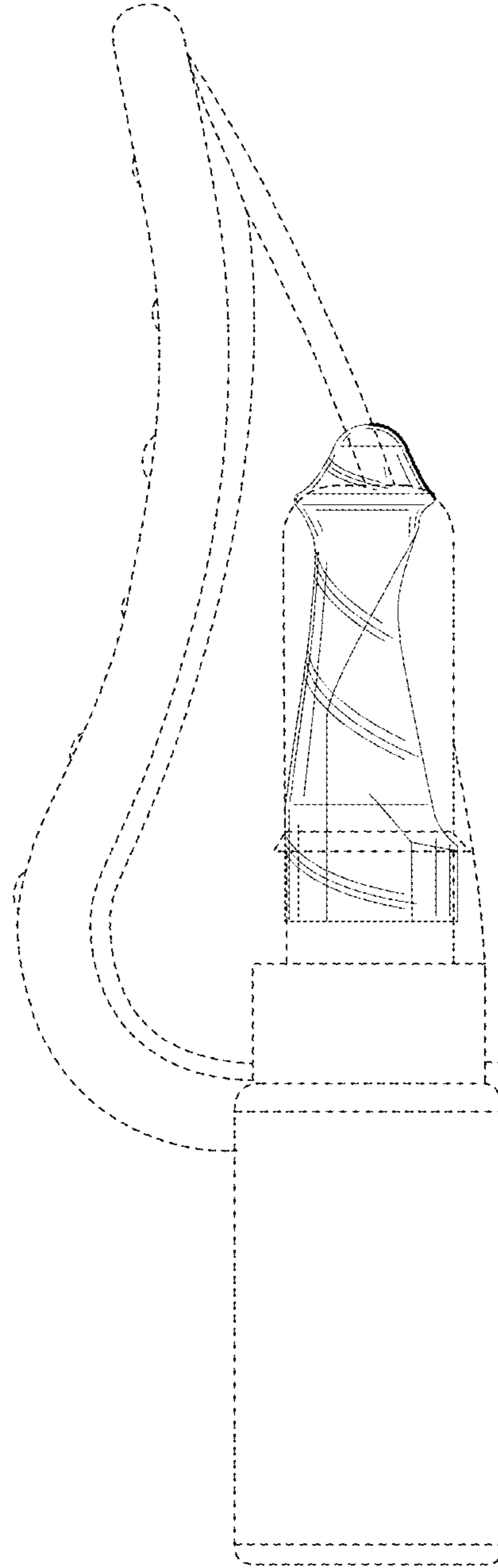


FIG. 26

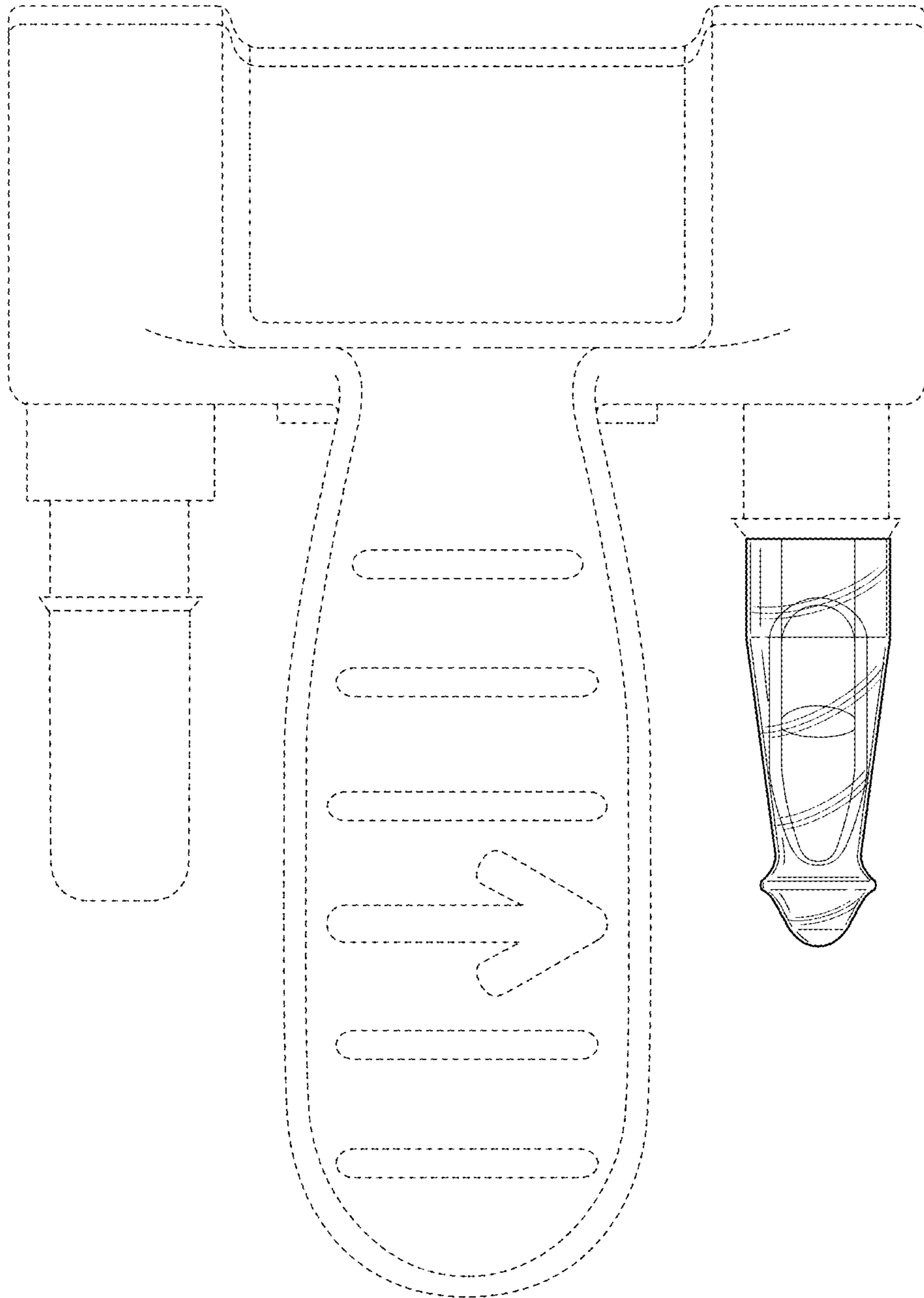


FIG. 27

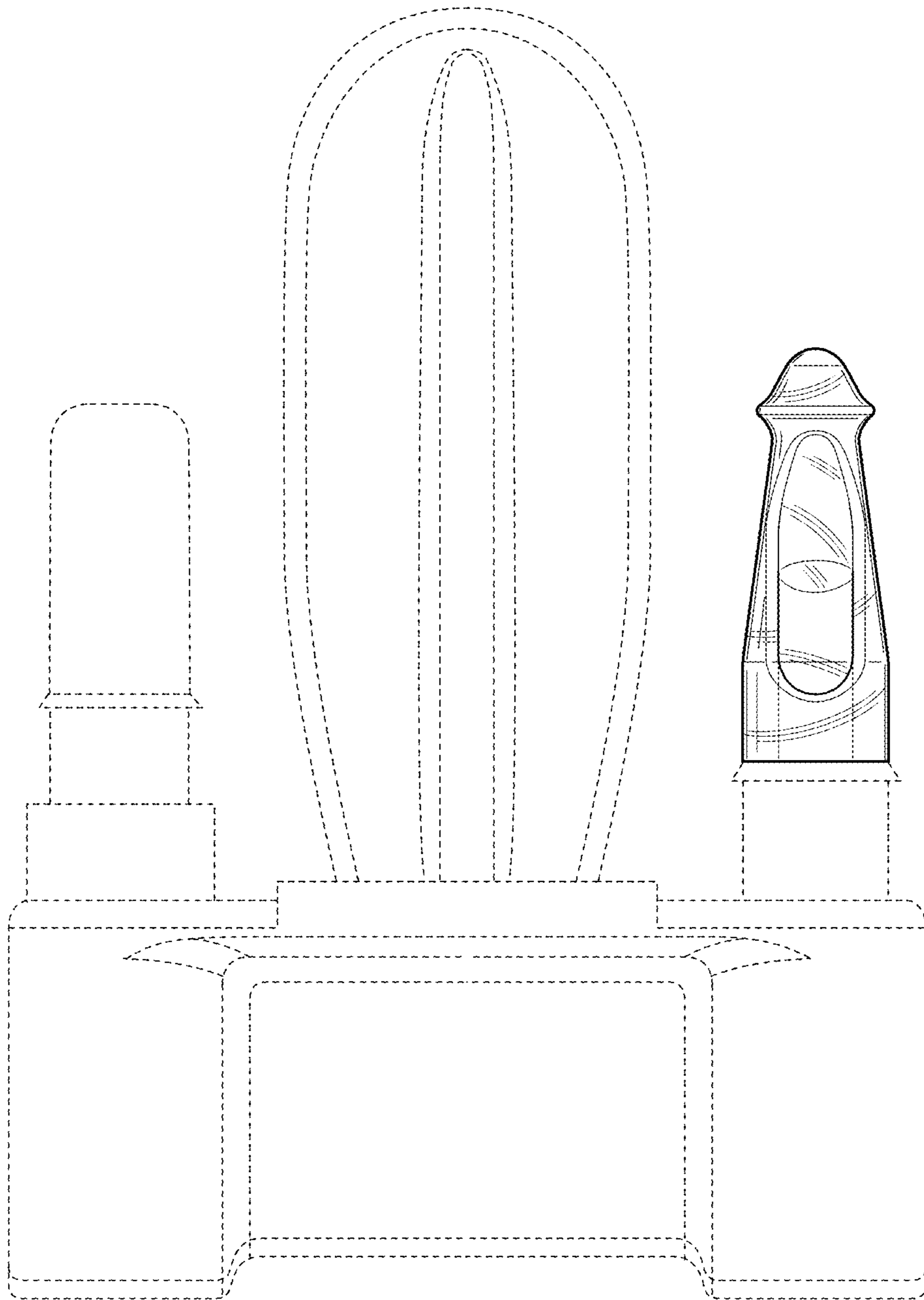


FIG. 28

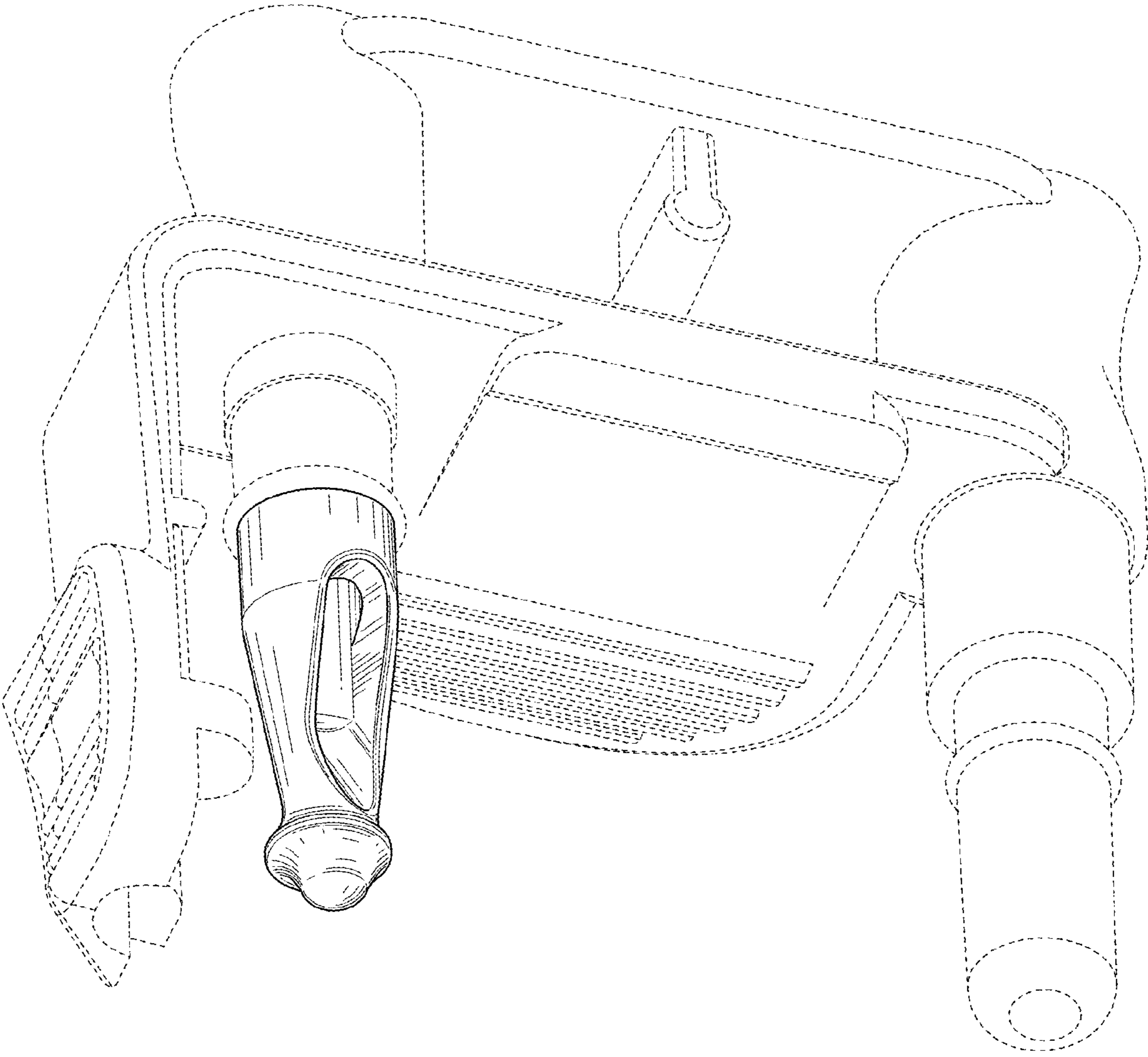


FIG. 29

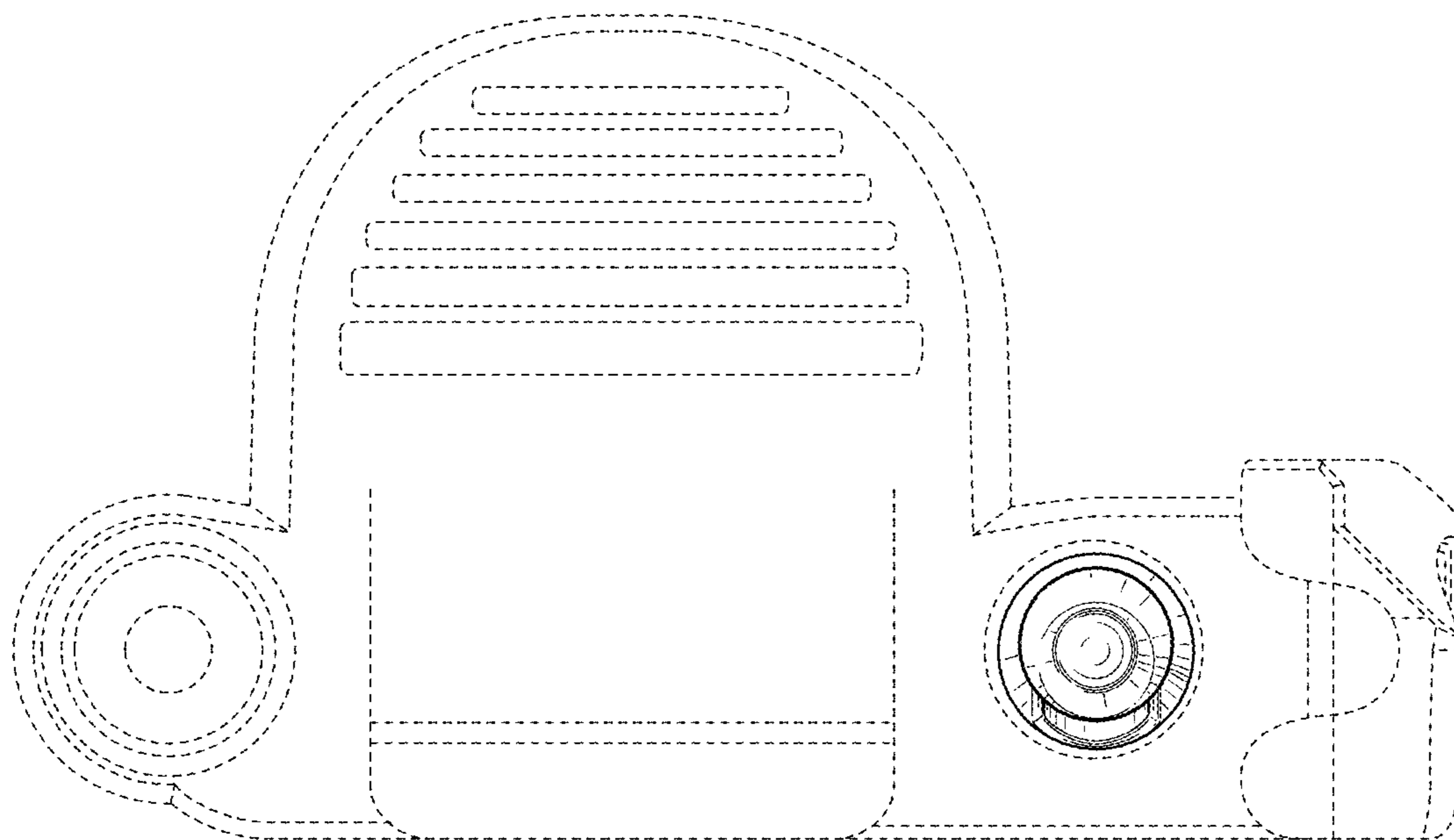


FIG. 30

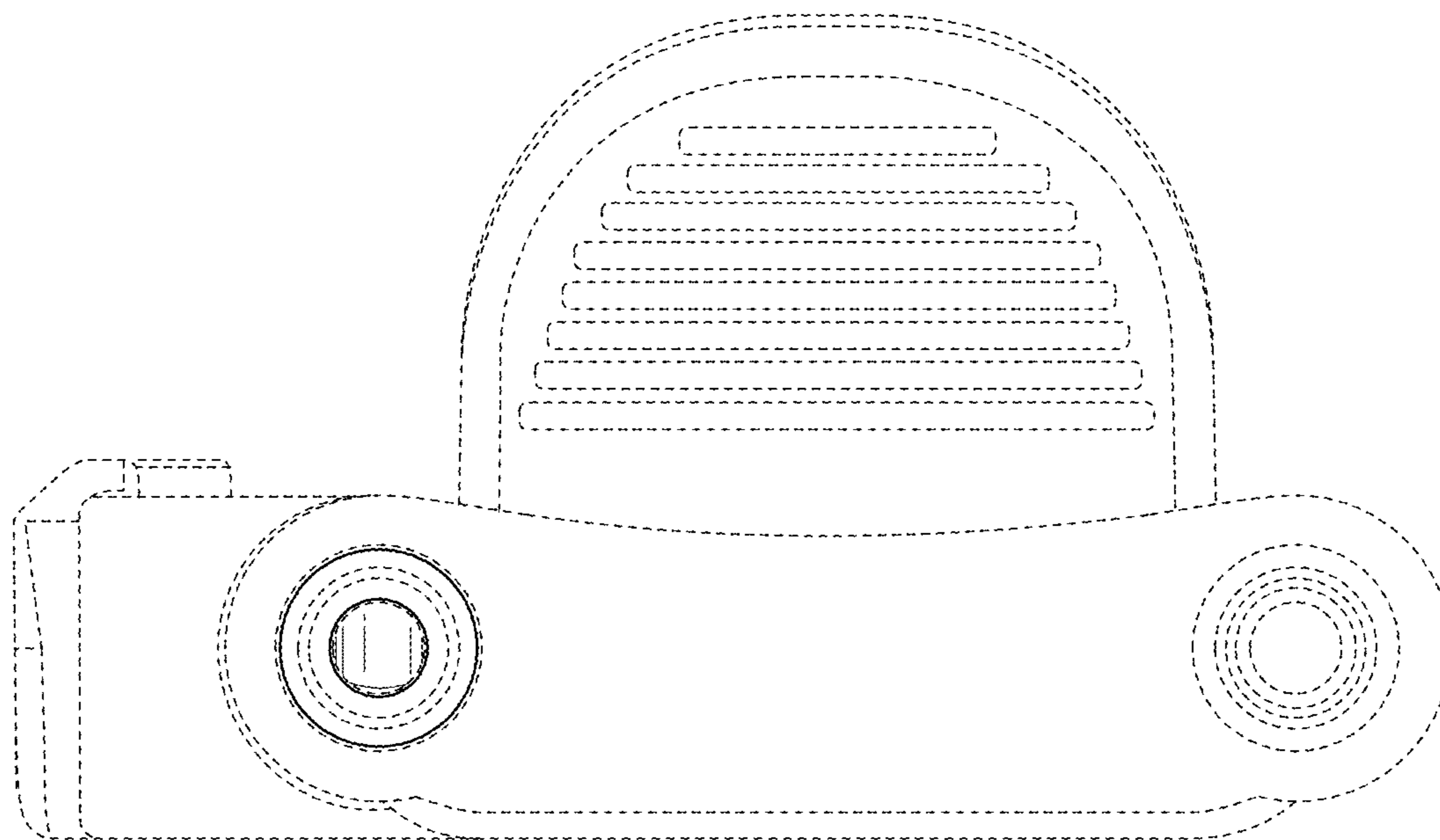


FIG. 31

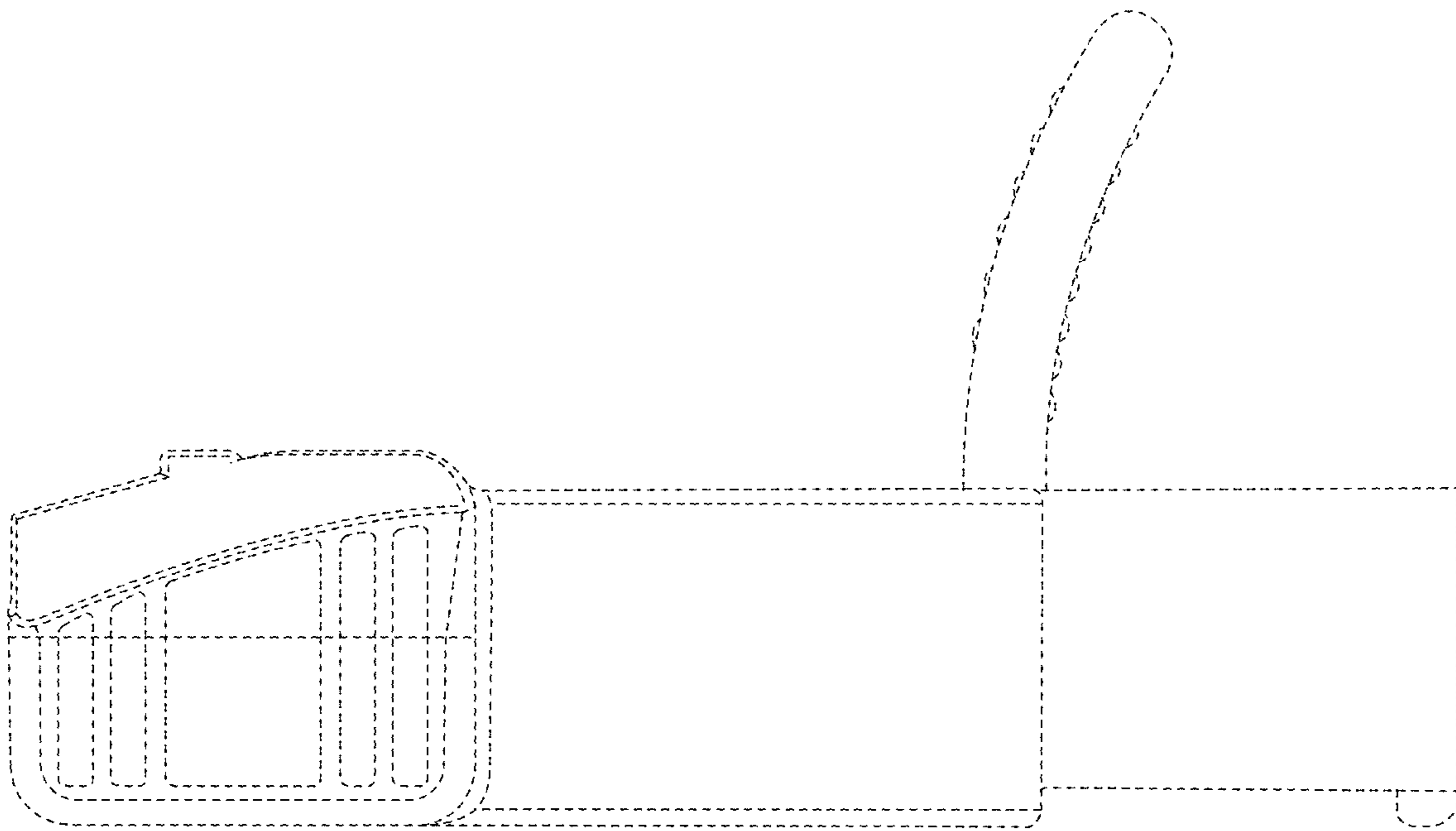


FIG. 32

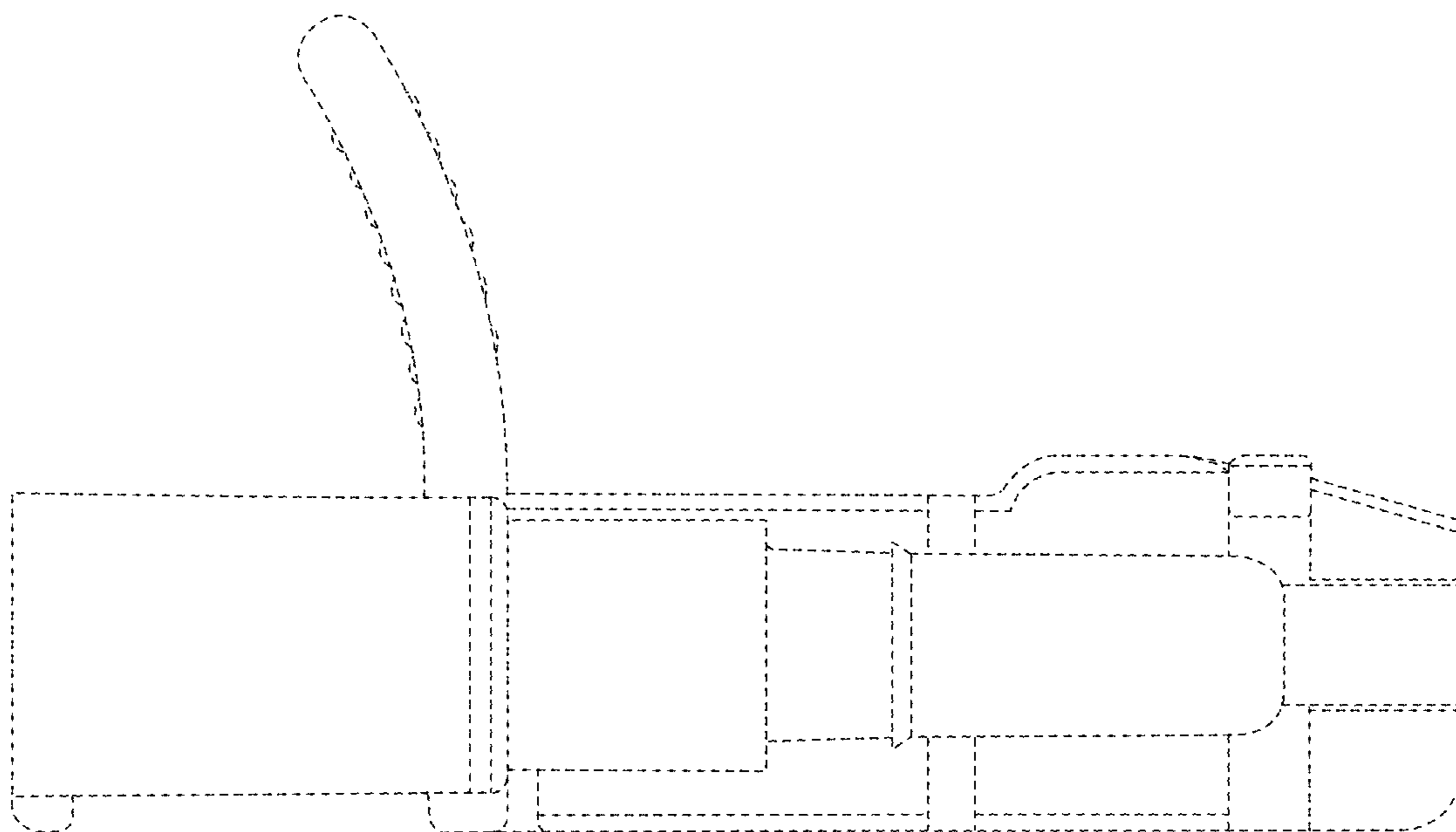


FIG. 33

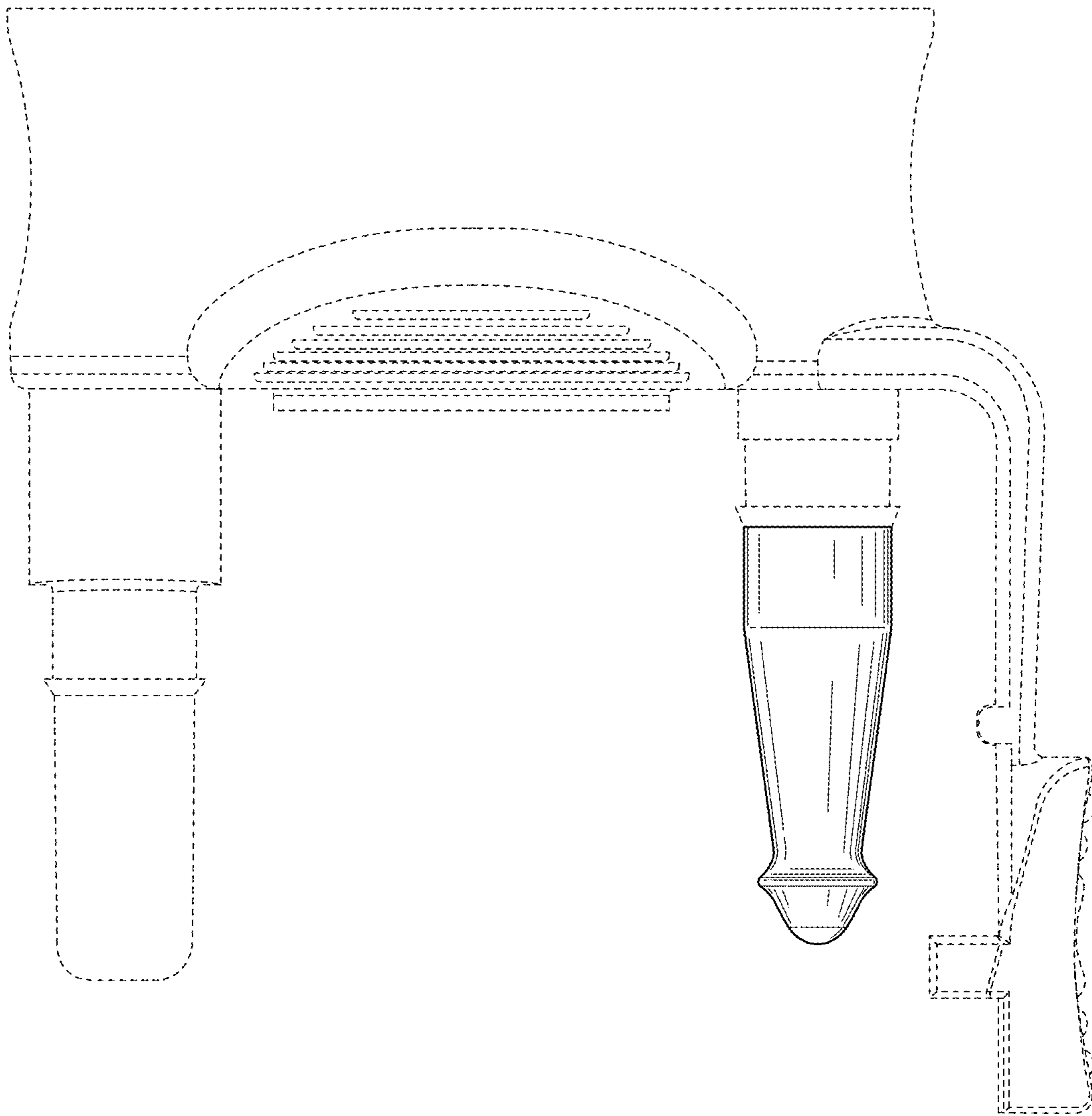


FIG. 34

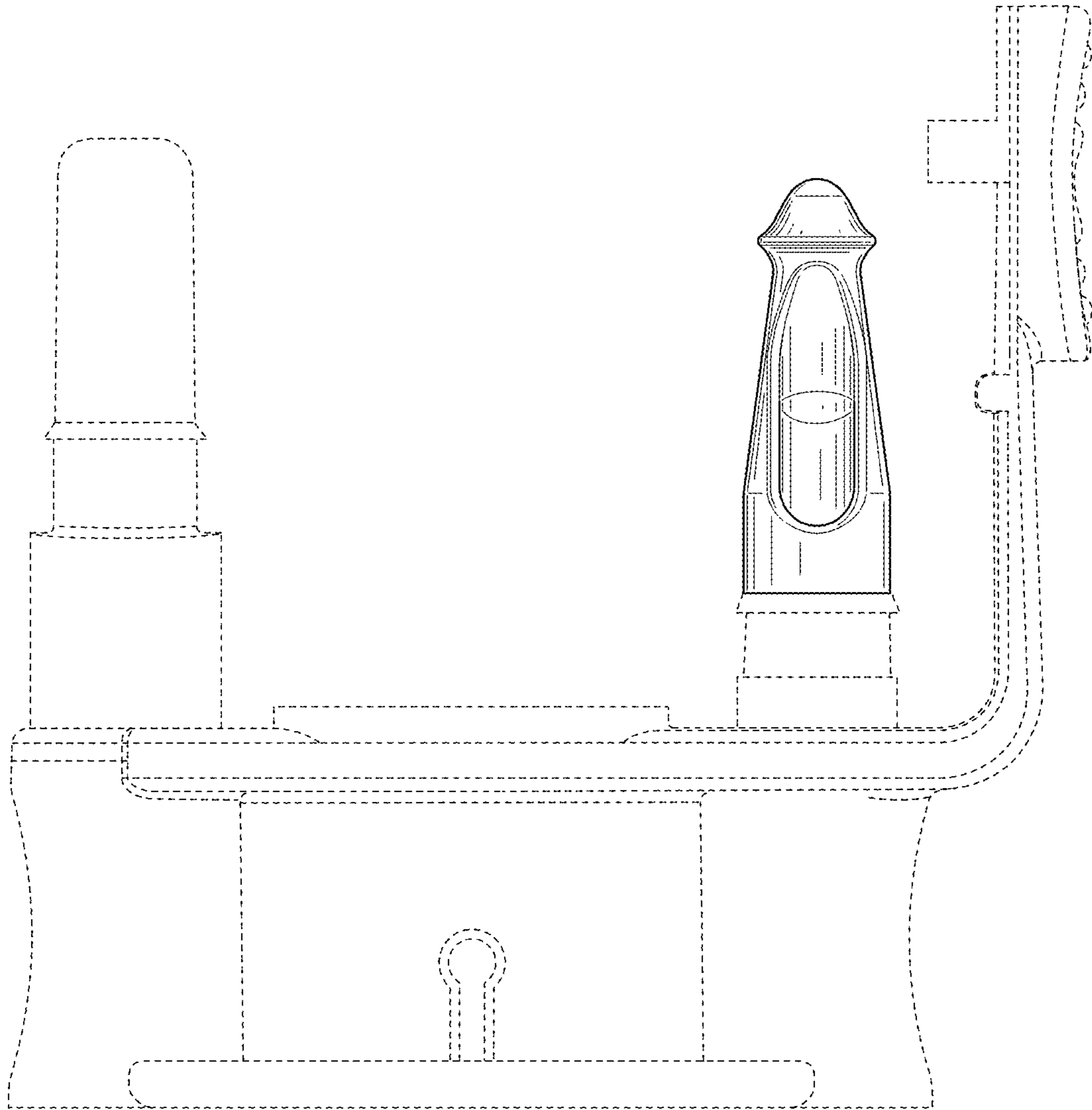


FIG. 35

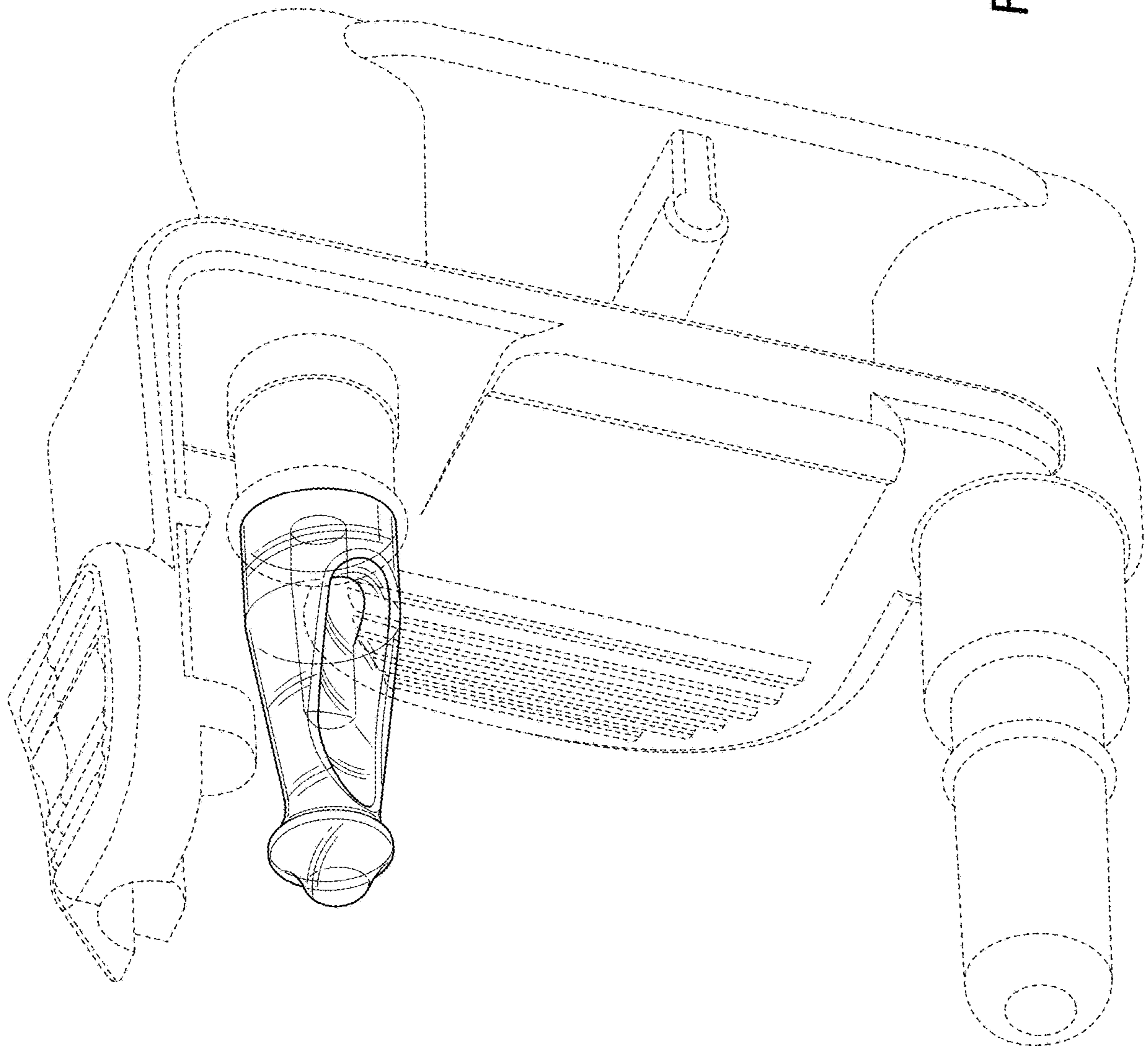


FIG. 36

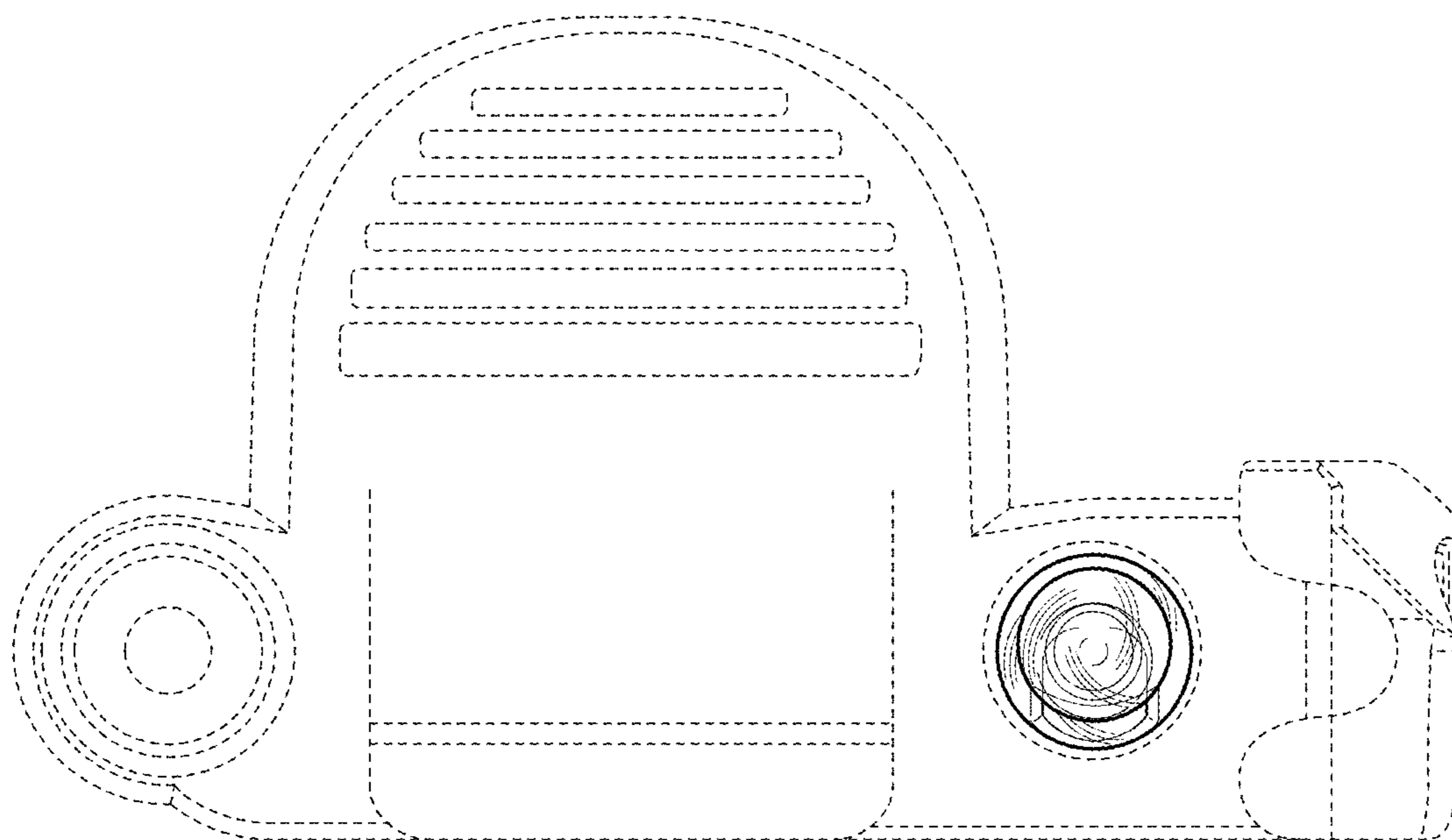


FIG. 37

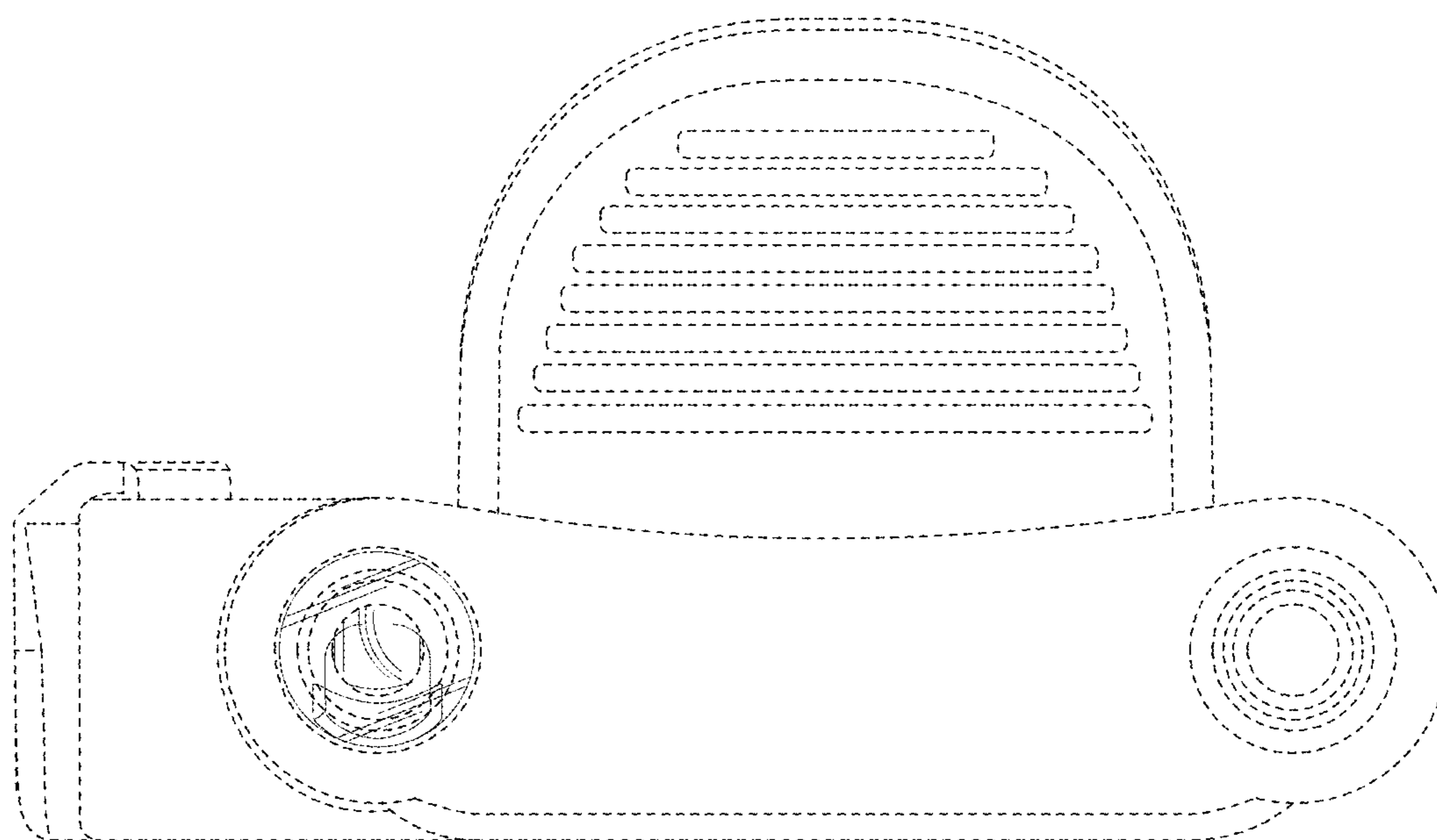


FIG. 38

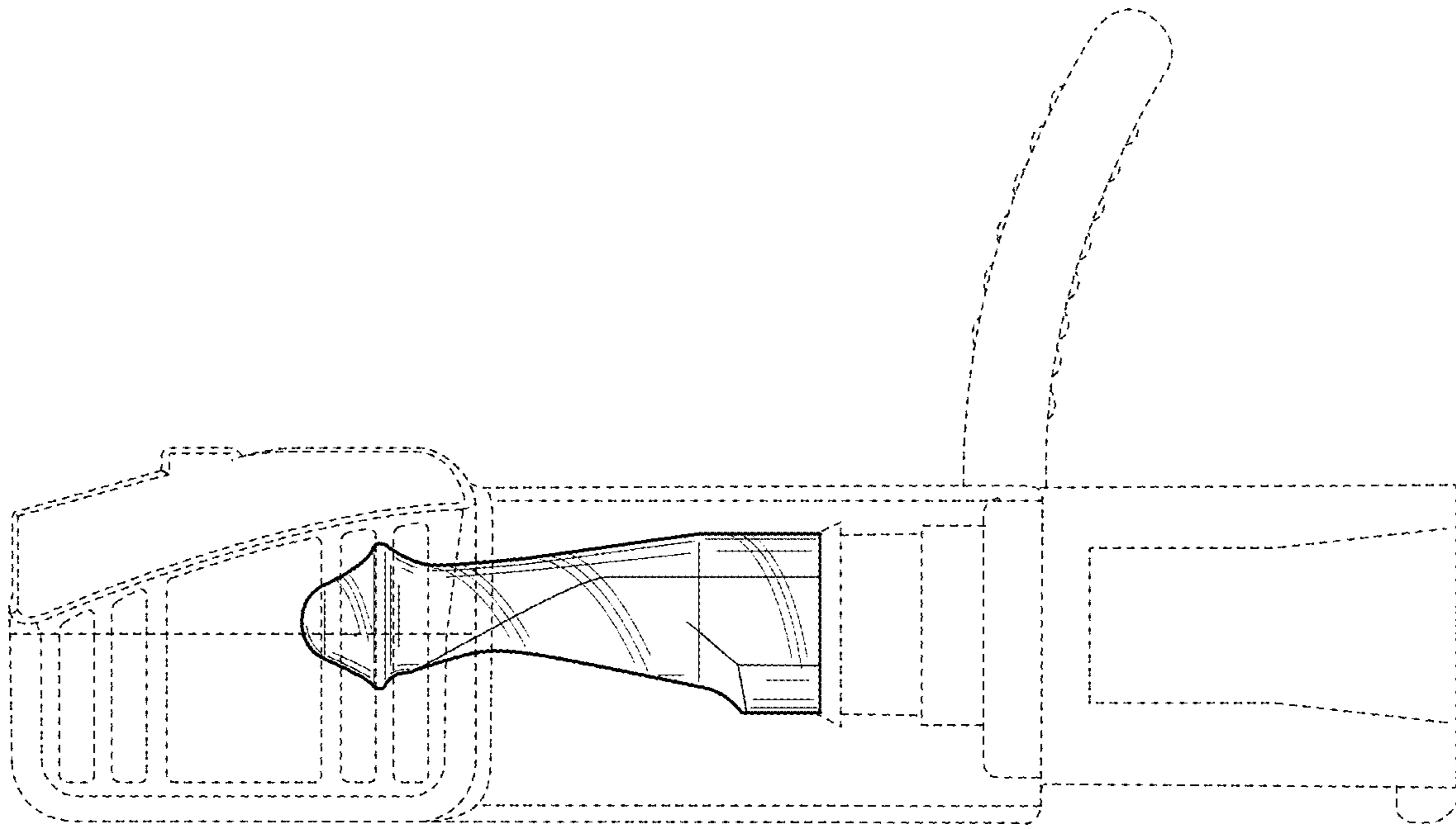


FIG. 39

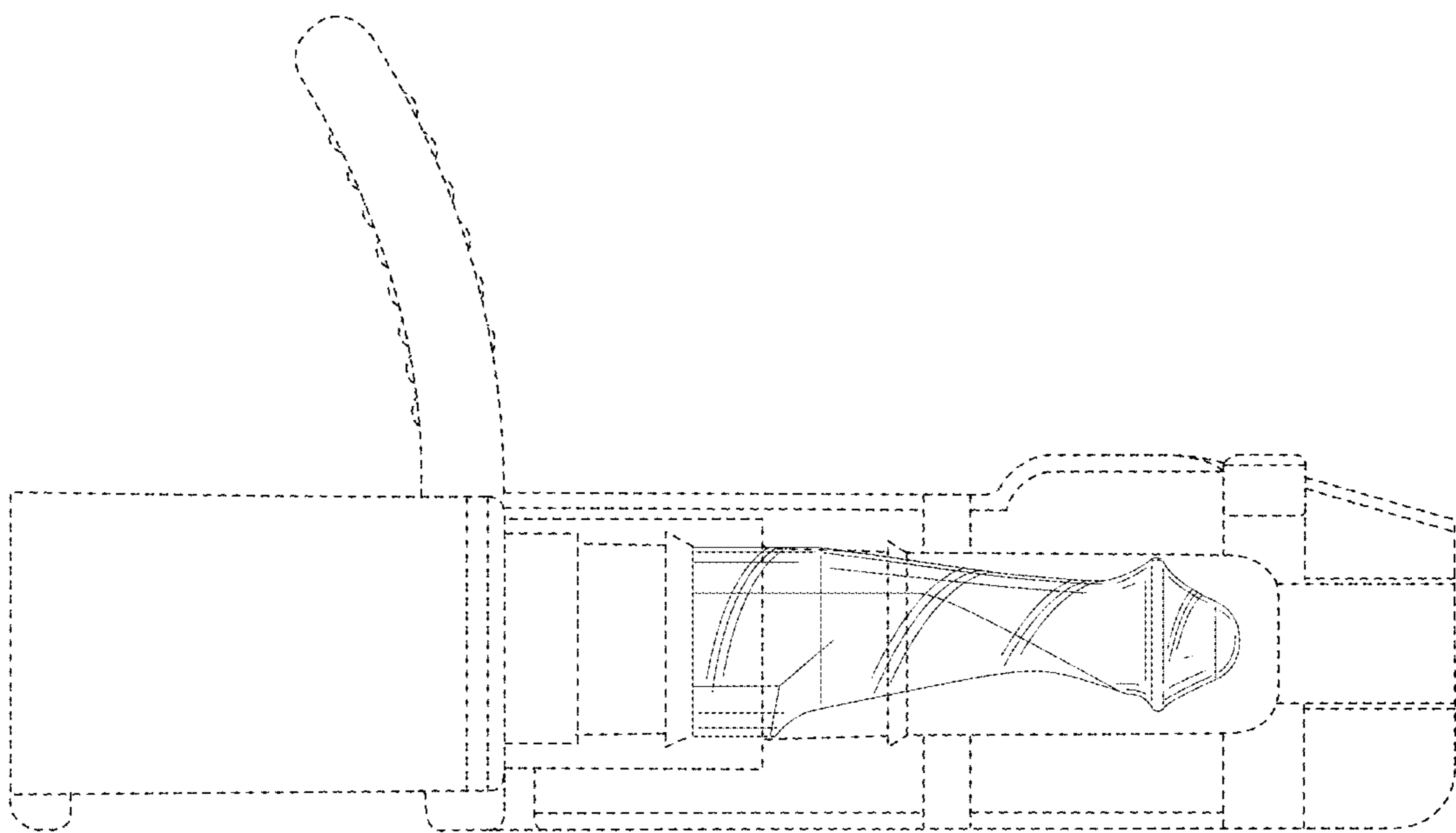


FIG. 40

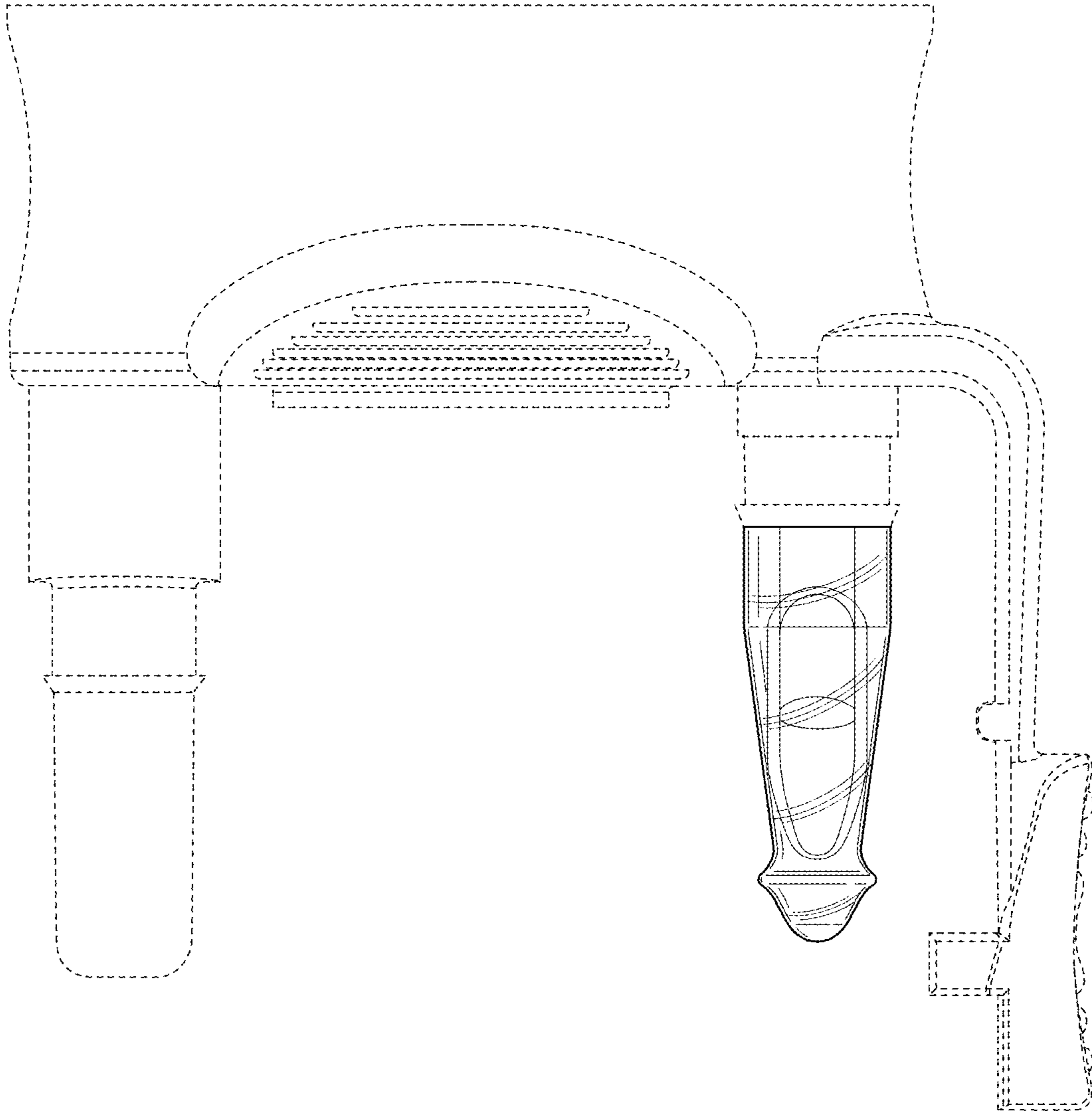


FIG. 41

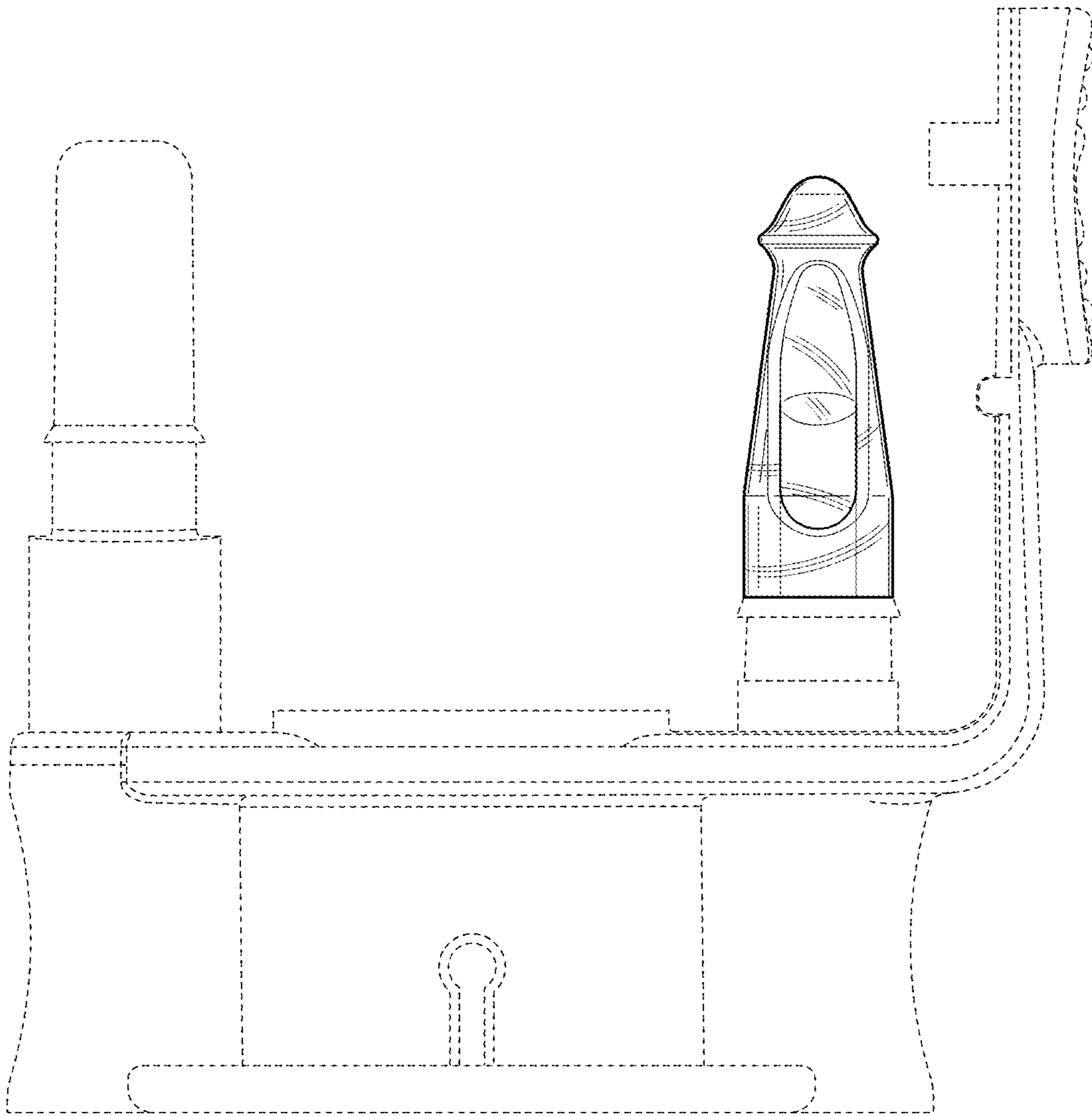


FIG. 42

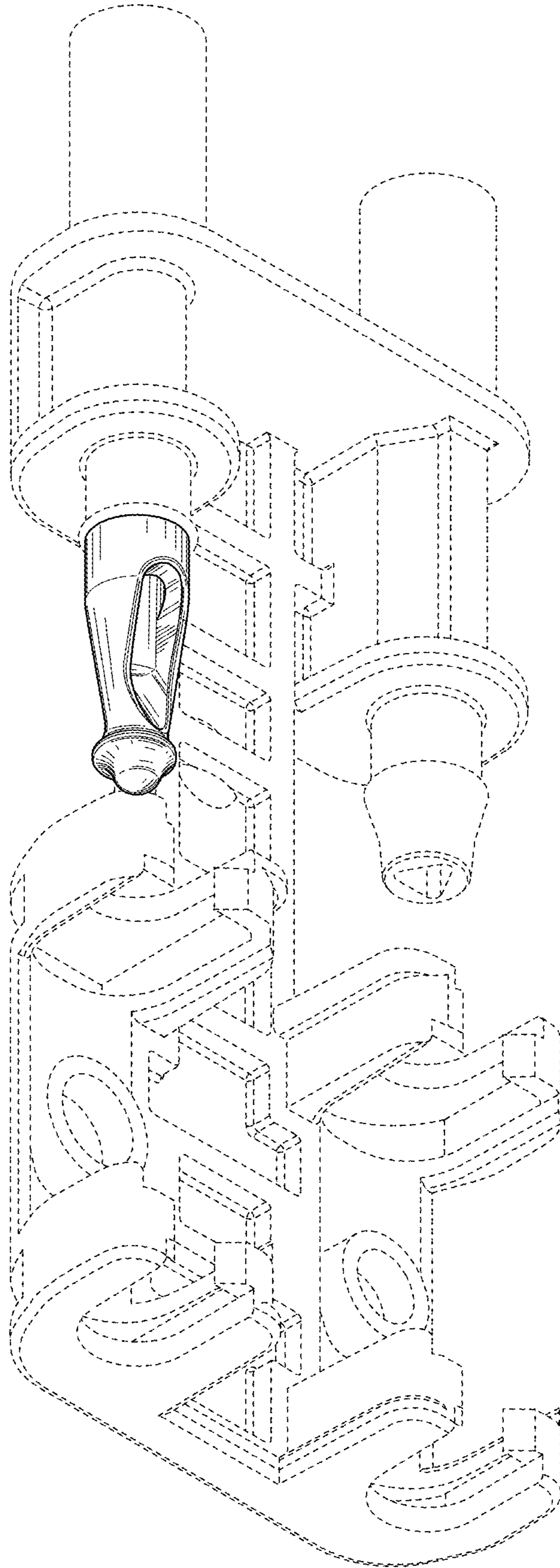


FIG. 43

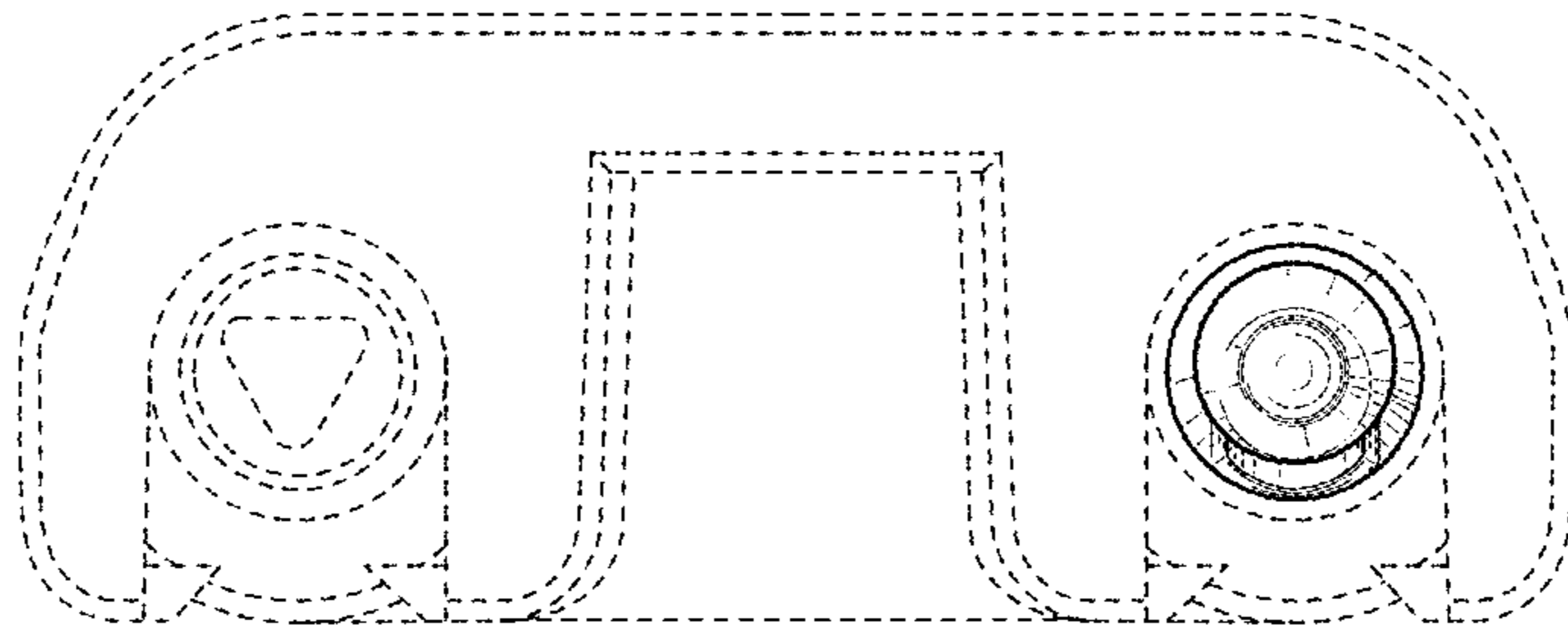


FIG. 44

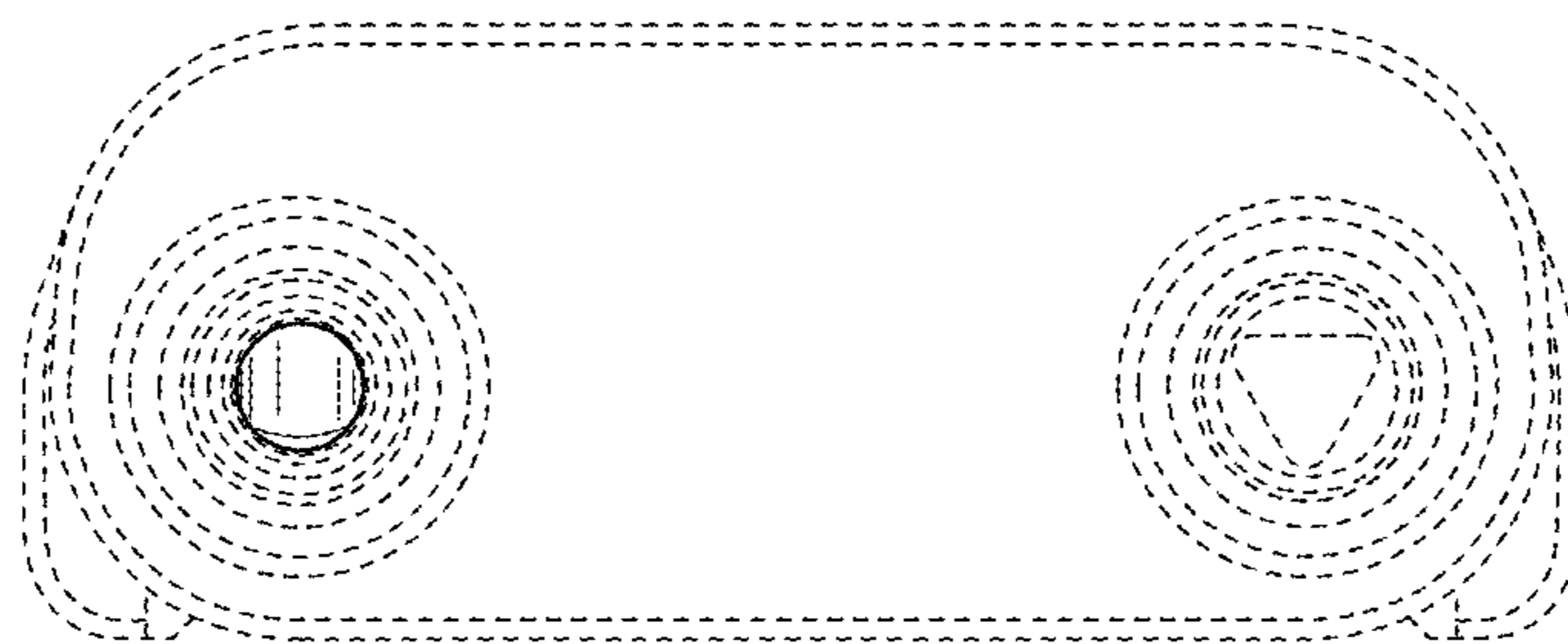


FIG. 45

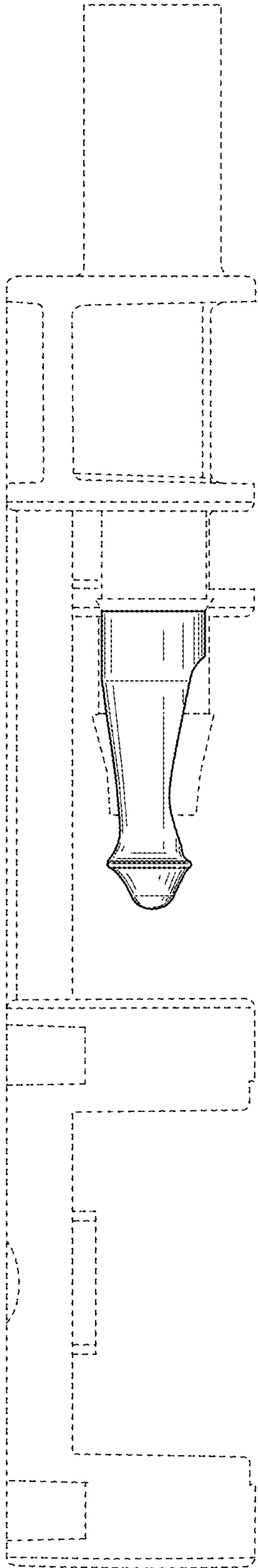


FIG. 46

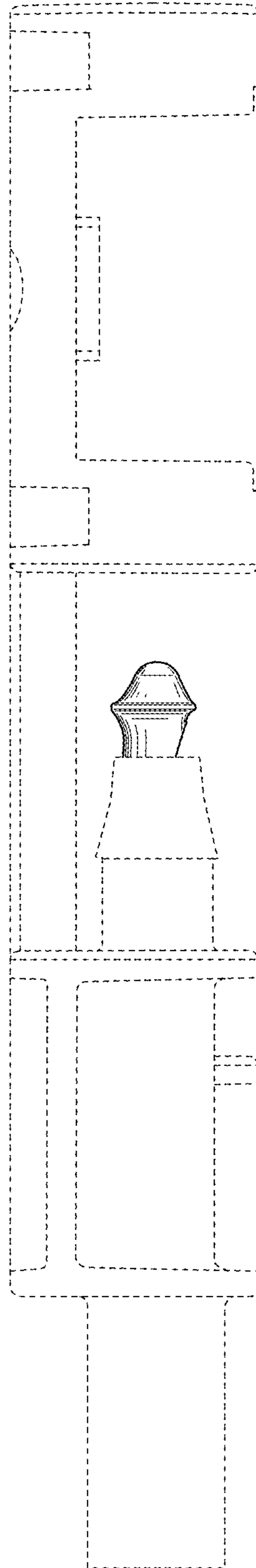


FIG. 47

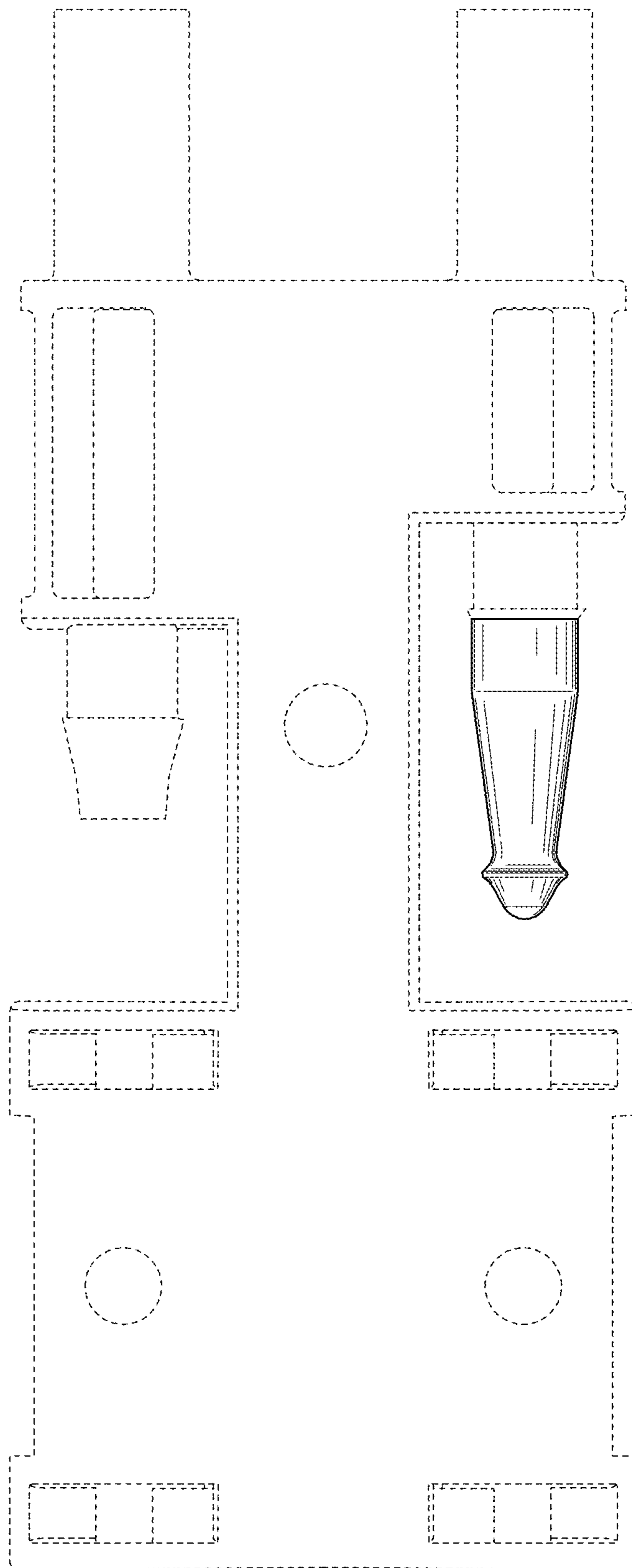


FIG. 48

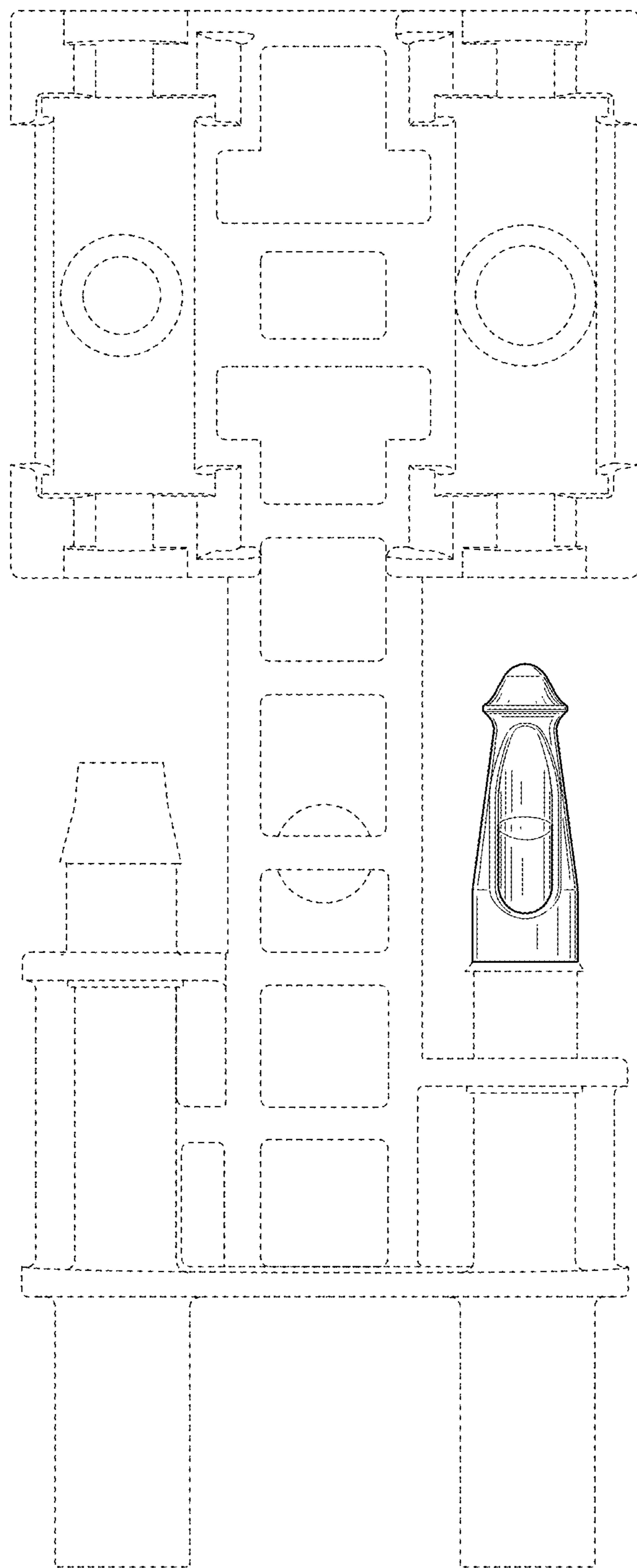


FIG. 49

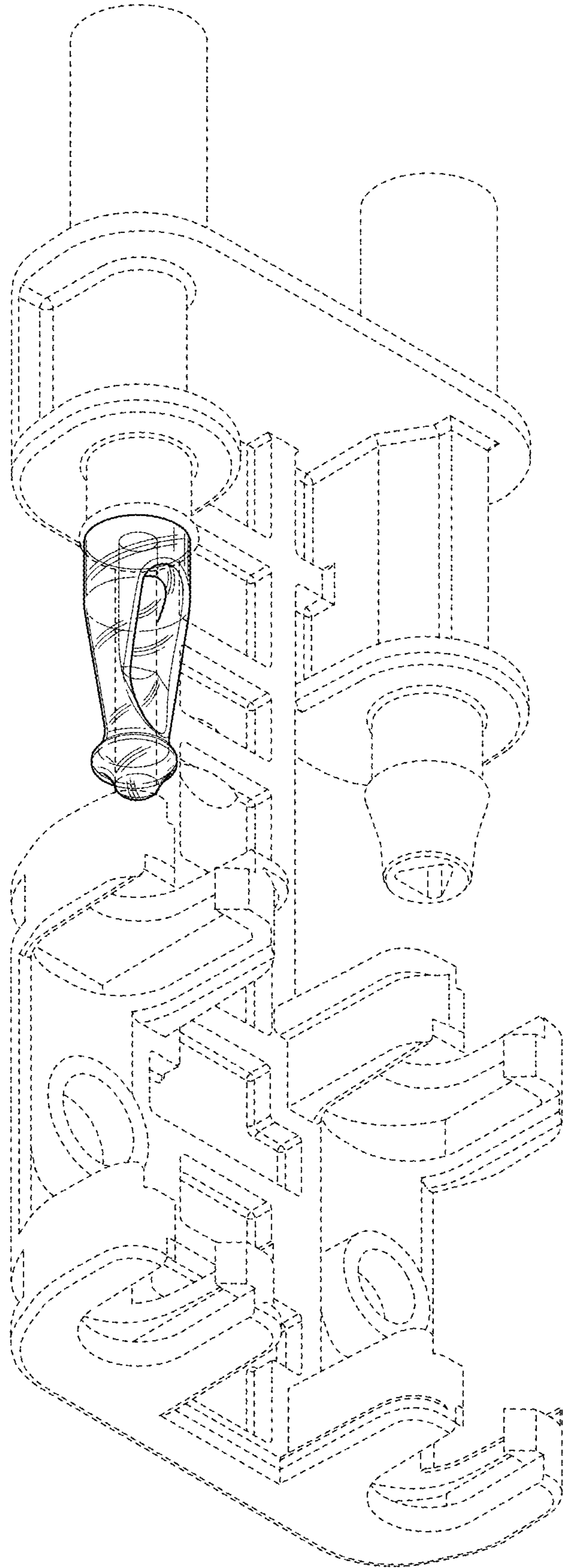


FIG. 50

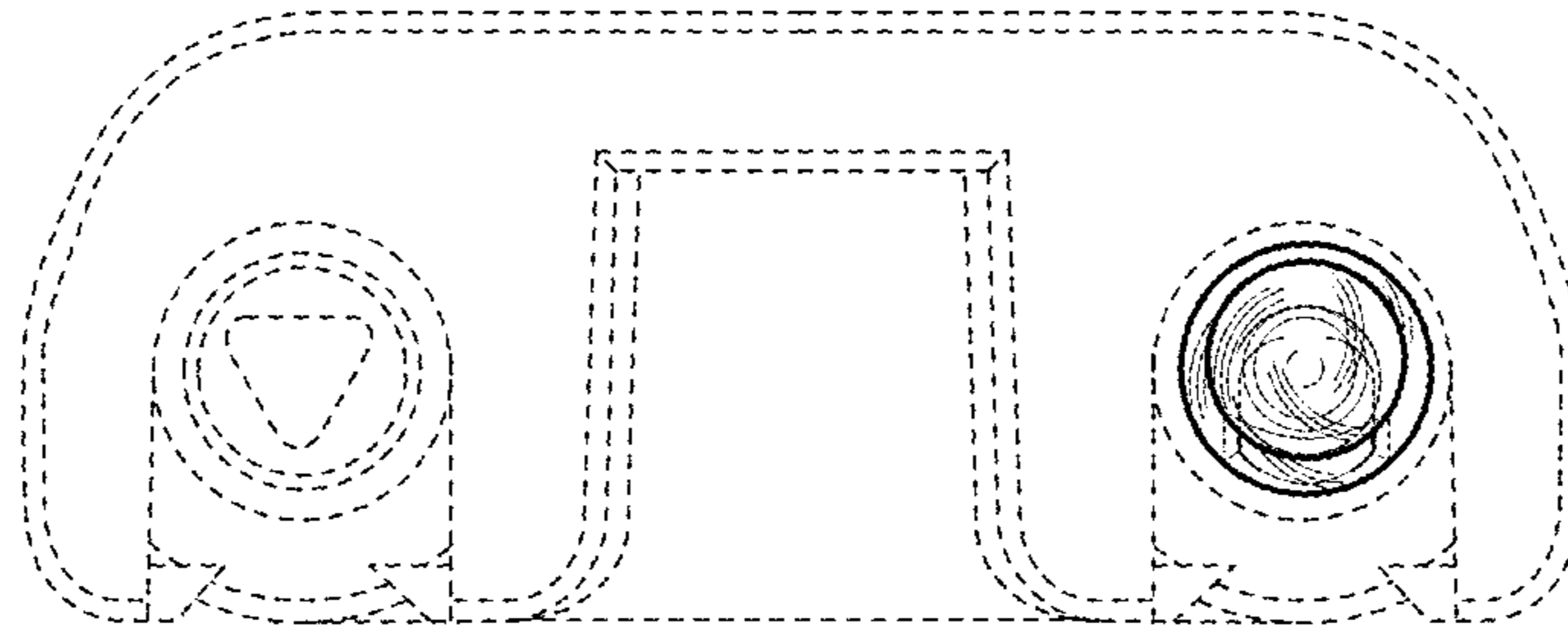


FIG. 51

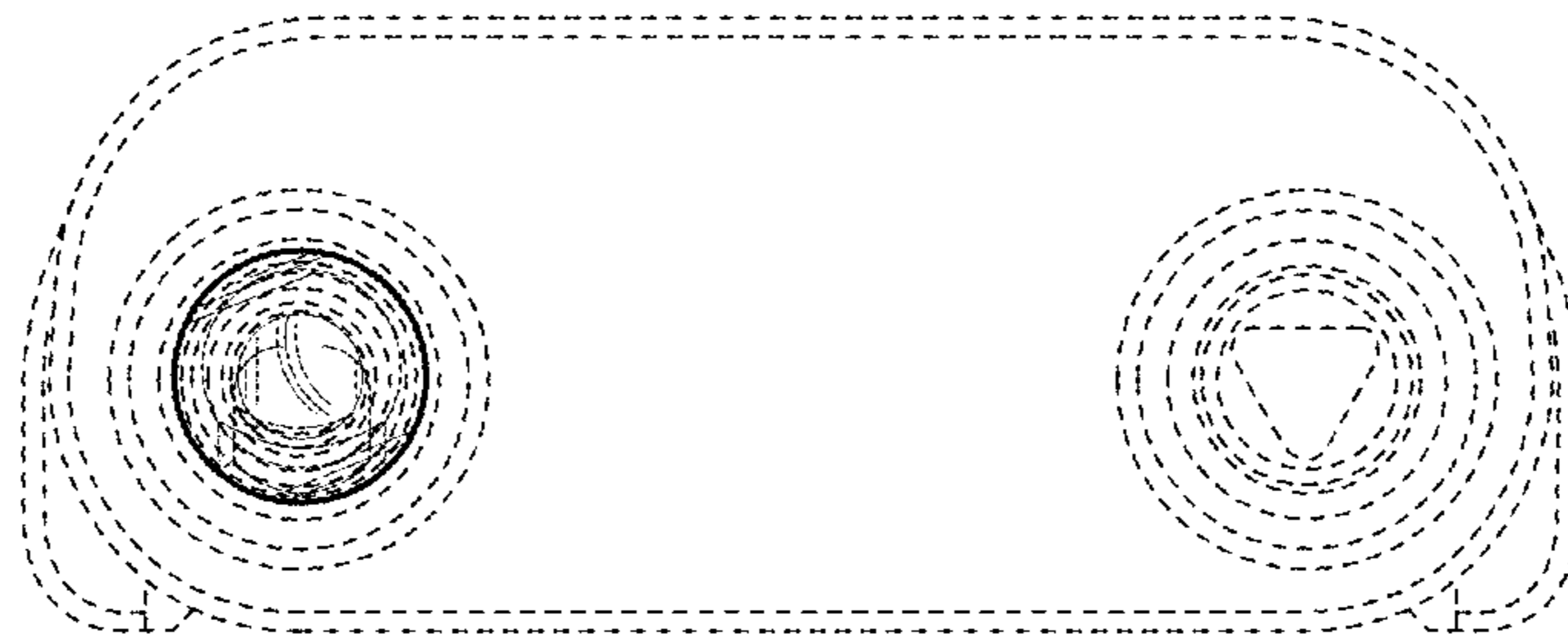


FIG. 52

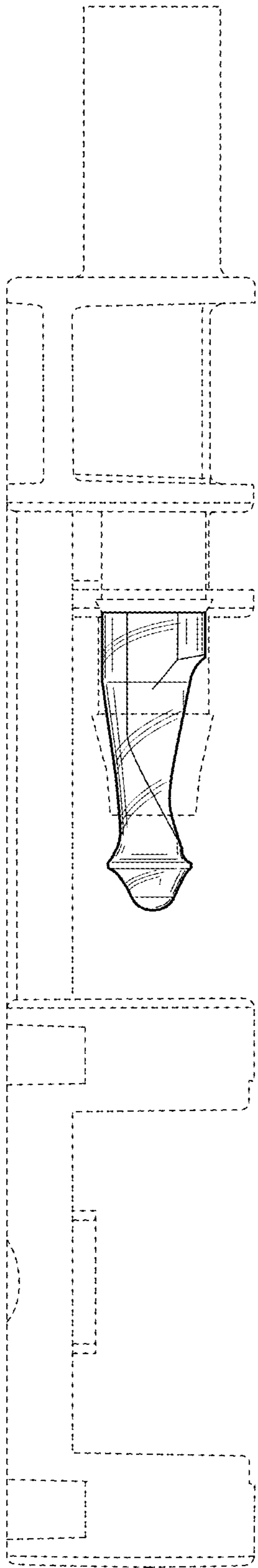


FIG. 53

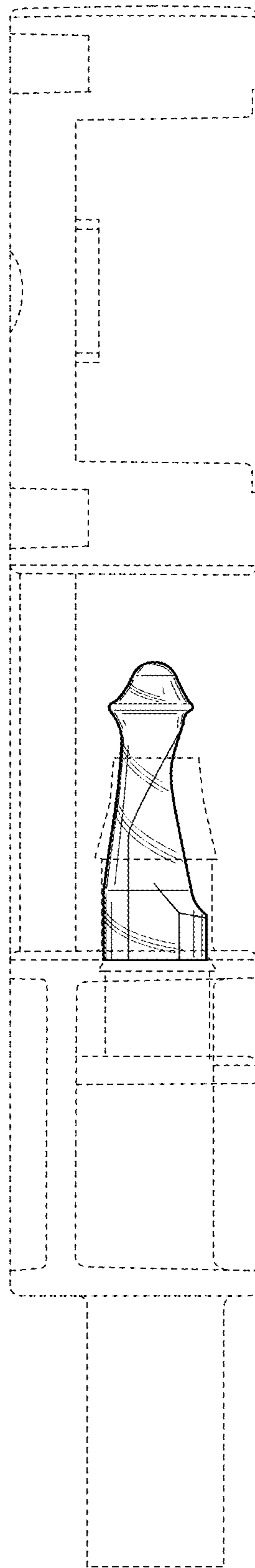


FIG. 54

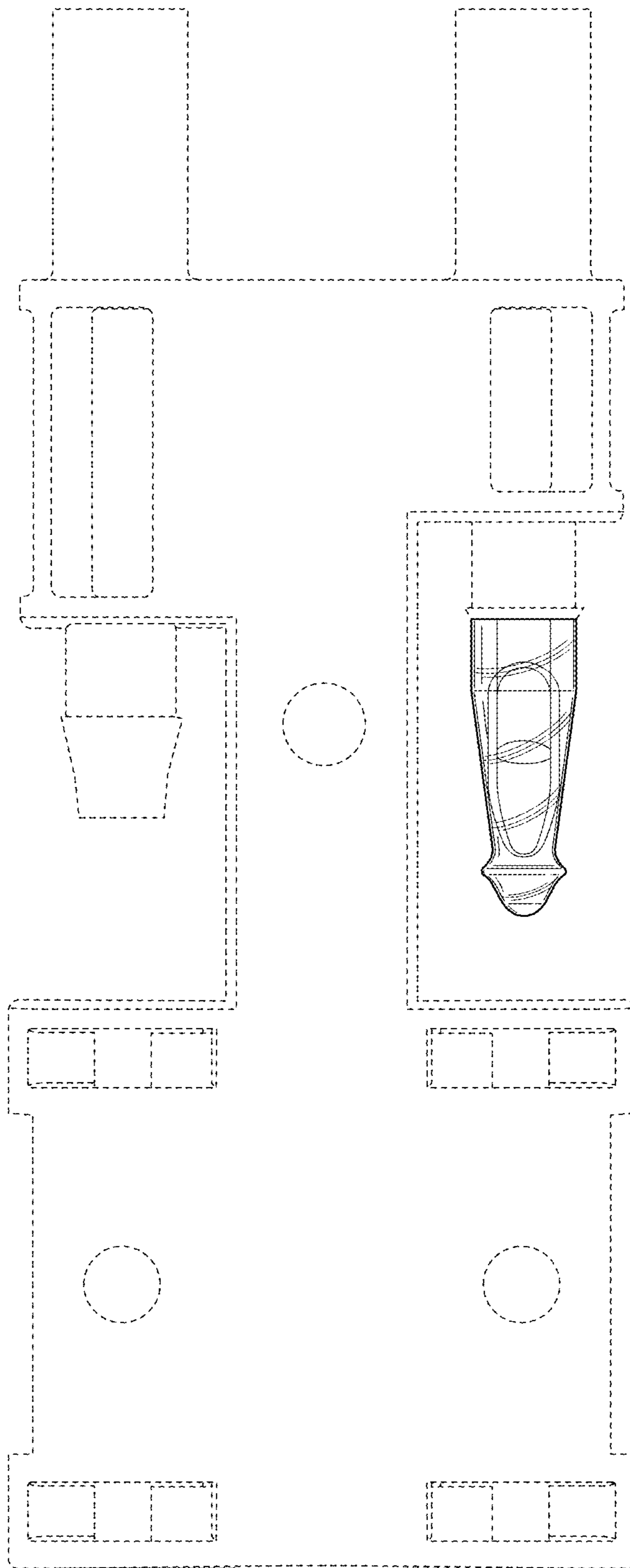


FIG. 55

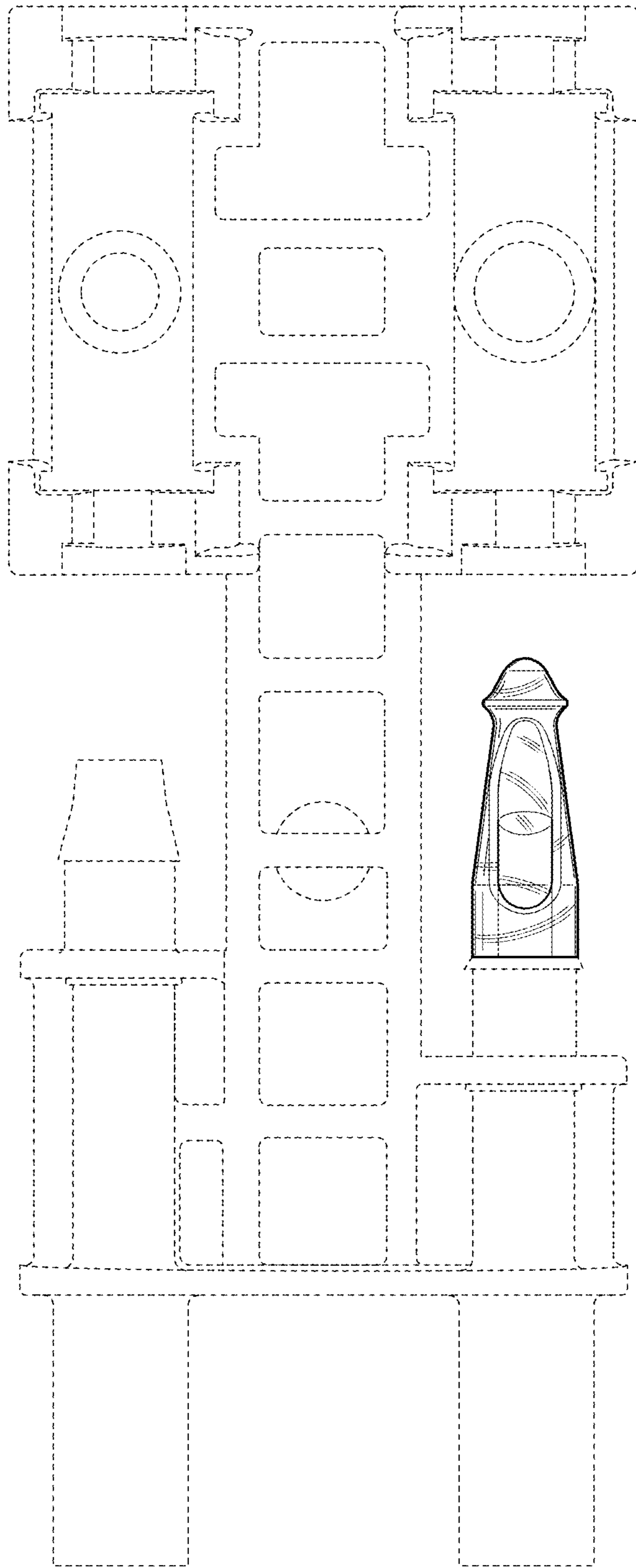


FIG. 56