



US00D882757S

(12) **United States Design Patent**
Dantanarayana et al.

(10) **Patent No.:** **US D882,757 S**
(45) **Date of Patent:** **** Apr. 28, 2020**

(54) **RESPIRATORY MASK AIR DELIVERY
ADAPTER ASSEMBLY**

(71) Applicant: **ResMed Pty Ltd**, Bella Vista, New
South Wales (AU)

(72) Inventors: **Muditha Pradeep Dantanarayana**,
Sydney (AU); **Charles Harry Finch**,
Sydney (AU); **Chia Ik Tan**, Sydney
(AU); **Stewart Joseph Wagner**,
Hawkesbury (AU)

(73) Assignee: **ResMed Pty Ltd**, Bella Vista (AU)

(**) Term: **15 Years**

(21) Appl. No.: **29/585,943**

(22) Filed: **Nov. 30, 2016**

(51) **LOC (12) Cl.** **29-02**

(52) **U.S. Cl.**

USPC **D24/110.4**

(58) **Field of Classification Search**

USPC D24/110-110.6, 127, 129; D29/110

CPC A61M 16/0616; A61M 16/0633; A61M

16/06; A61M 16/0666; A61M 16/0683;

A61M 16/0605; A61M 16/0622; A61M

16/0644; A61M 16/0875; A61M 16/0816;

A61M 16/08; B63C 11/205; B63C 11/16;

B63C 11/186; B63C 11/12

See application file for complete search history.

(56) **References Cited**

U.S. PATENT DOCUMENTS

D586,907 S * 2/2009 Judson D24/110.1

D623,288 S * 9/2010 Lubke A61M 16/0666

D24/110.1

D656,231 S * 3/2012 Henry D24/110.1

D659,237 S * 5/2012 Lubke D24/110.1

D664,250 S * 7/2012 Scheiner D24/110.1

D691,712 S * 10/2013 Judson D24/110.1

D692,554 S * 10/2013 Siew D24/110.1

D704,329 S * 5/2014 Collazo D24/110.1

D708,736 S * 7/2014 Judson D24/110.5

D737,953 S * 9/2015 Wells D24/110

D740,935 S * 10/2015 Cullen D24/110.1

D743,535 S * 11/2015 Wells D24/110

(Continued)

Primary Examiner — Sandra S Snapp

Assistant Examiner — Aula Soroush

(74) *Attorney, Agent, or Firm* — Nixon & Vanderhye P.C.

(57) **CLAIM**

The ornamental design for a respiratory mask air delivery
adapter assembly, as shown and described.

DESCRIPTION

FIG. 1 is a front perspective view of a respiratory mask air
delivery adapter assembly showing a first embodiment of
our new design;

FIG. 2 is a front view thereof;

FIG. 3 is a rear view thereof;

FIG. 4 is a top view thereof;

FIG. 5 is a bottom view thereof;

FIG. 6 is a left side view thereof;

FIG. 7 is a right side view thereof;

FIG. 8 is a rear perspective view thereof;

FIG. 9 is a front perspective view of a respiratory mask air
delivery assembly showing a second embodiment of our
new design;

FIG. 10 is a front view thereof;

FIG. 11 is a rear view thereof;

FIG. 12 is a top view thereof;

FIG. 13 is a bottom view thereof;

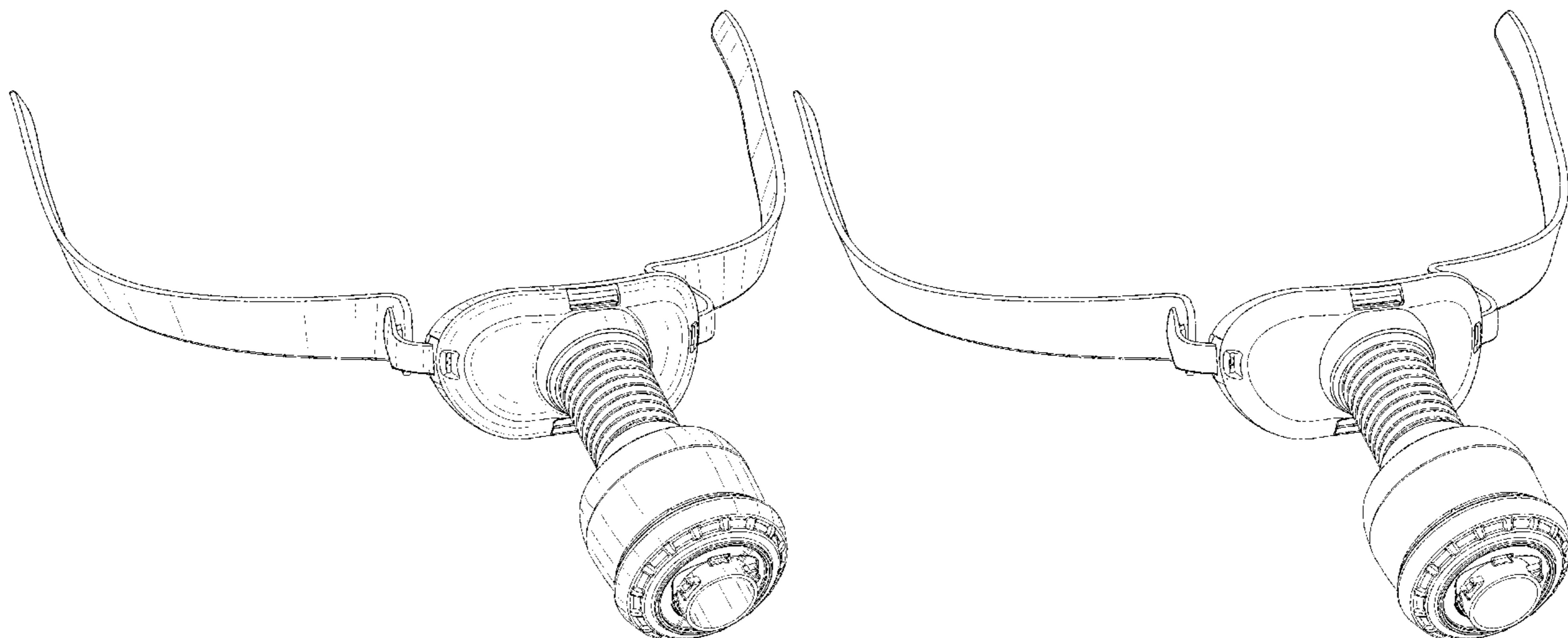
FIG. 14 is a left side view thereof;

FIG. 15 is a right side view thereof; and,

FIG. 16 is a rear perspective view thereof.

The broken lines show portions of the respiratory mask air
delivery adapter assembly and form no part of the claimed
design.

1 Claim, 12 Drawing Sheets



(56)

References Cited

U.S. PATENT DOCUMENTS

D751,687 S * 3/2016 Daly D24/110
D757,252 S * 5/2016 Von Moger D24/110.5
D764,049 S * 8/2016 Cullen D24/110.4
D770,036 S * 10/2016 Walls D24/110.4
D787,661 S * 5/2017 Edwards D24/110.4
D787,662 S * 5/2017 Guney D24/110.4
D794,772 S * 8/2017 Cullen D24/110.4
D805,630 S * 12/2017 Formica D24/110
D808,516 S * 1/2018 Edwards D24/110.4
2012/0090622 A1 * 4/2012 Chang A61M 16/0666
128/207.18
2014/0000614 A1 * 1/2014 Chang A61M 16/0666
128/205.25
2017/0000964 A1 * 1/2017 Shafer A61M 16/06
2017/0368285 A1 * 12/2017 Wood A61M 16/0605
2018/0001044 A1 * 1/2018 Stephens A61M 16/0627

* cited by examiner

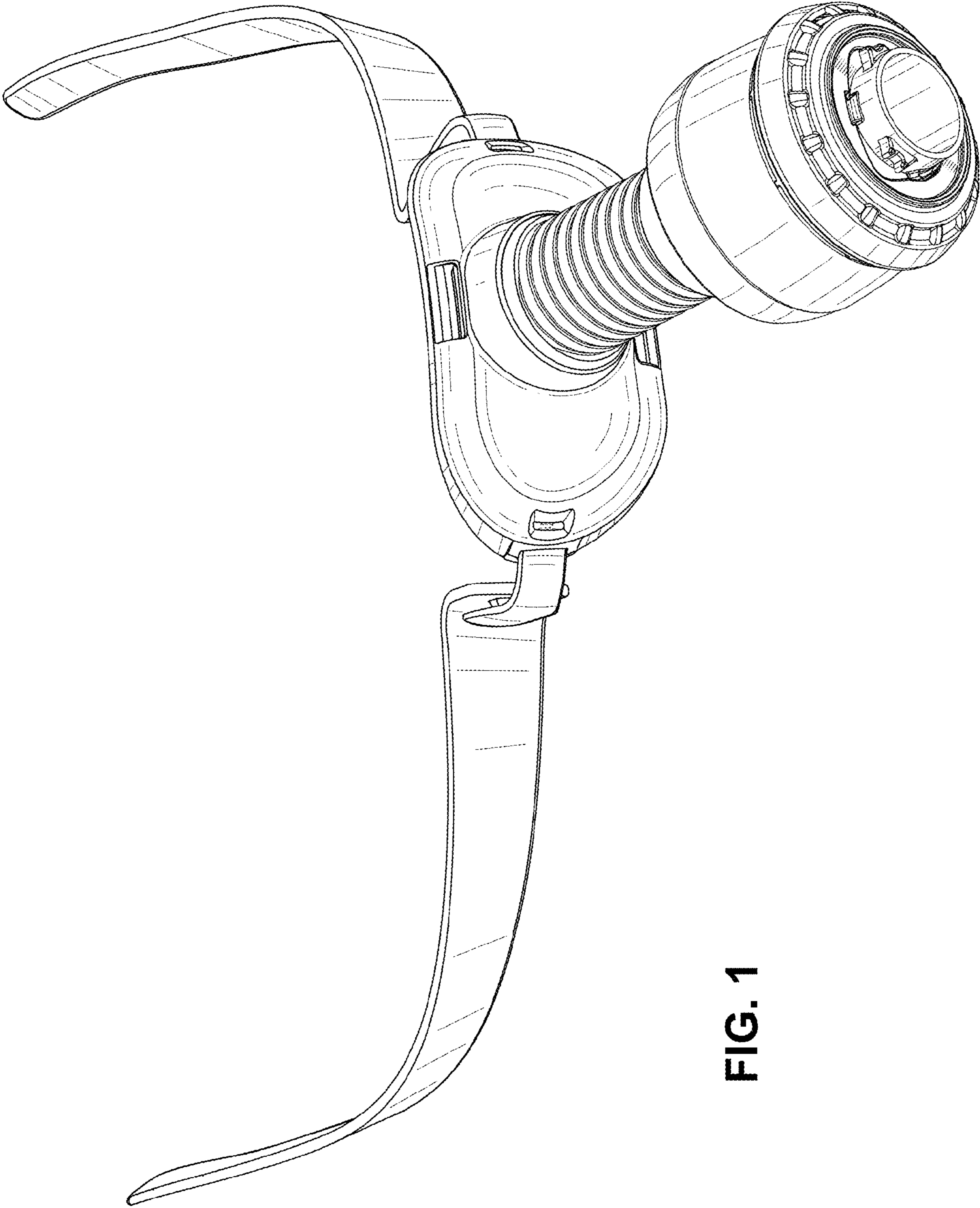


FIG. 1

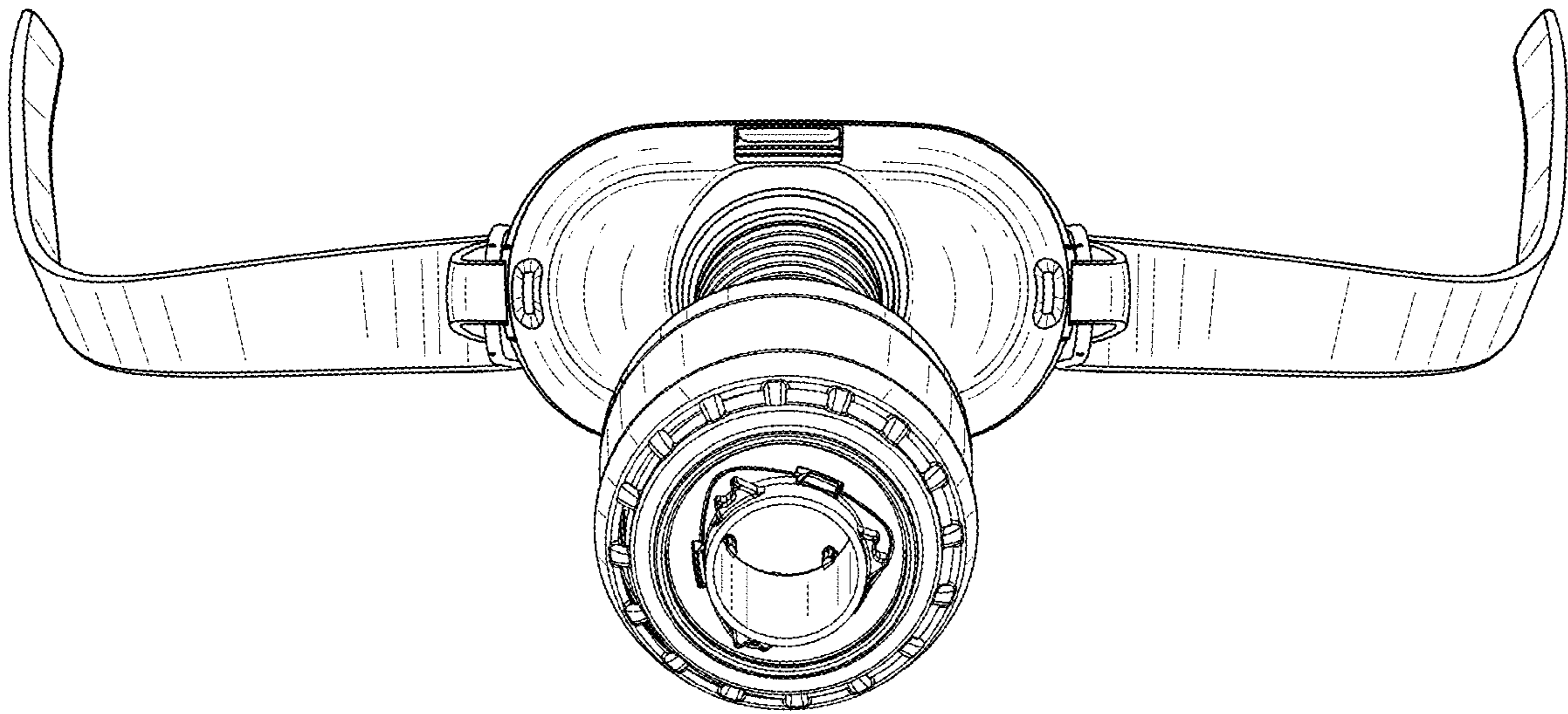


FIG. 2

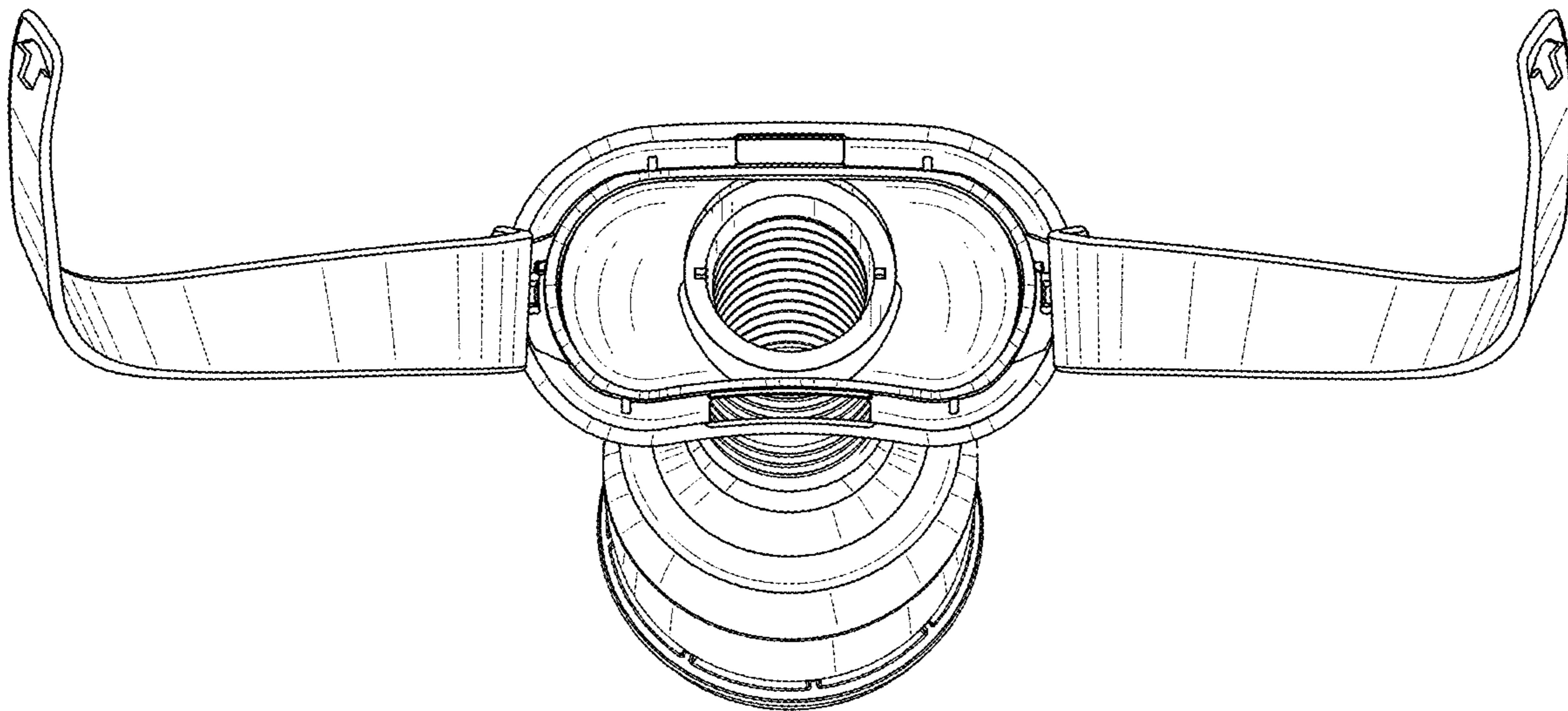


FIG. 3



FIG. 4

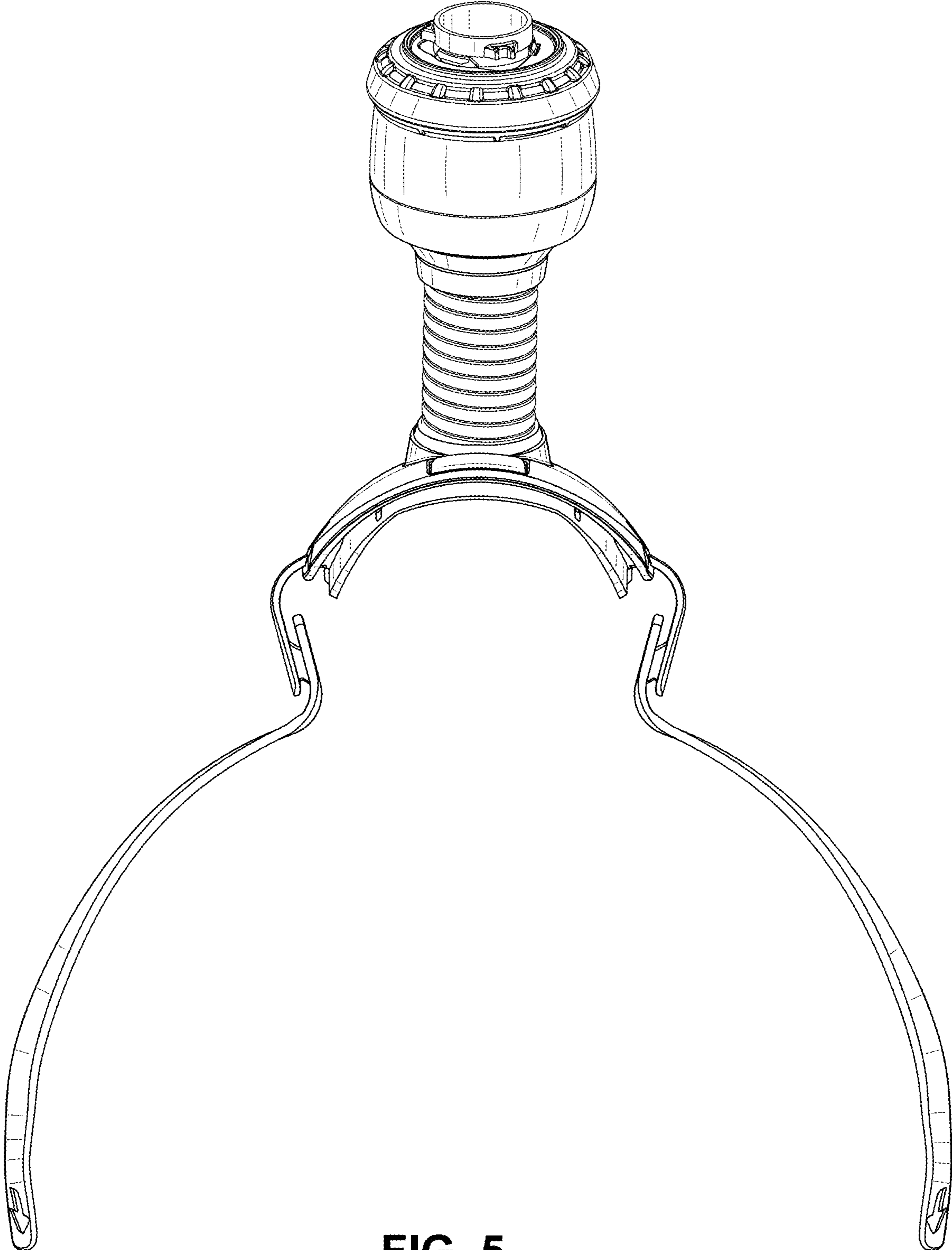


FIG. 5

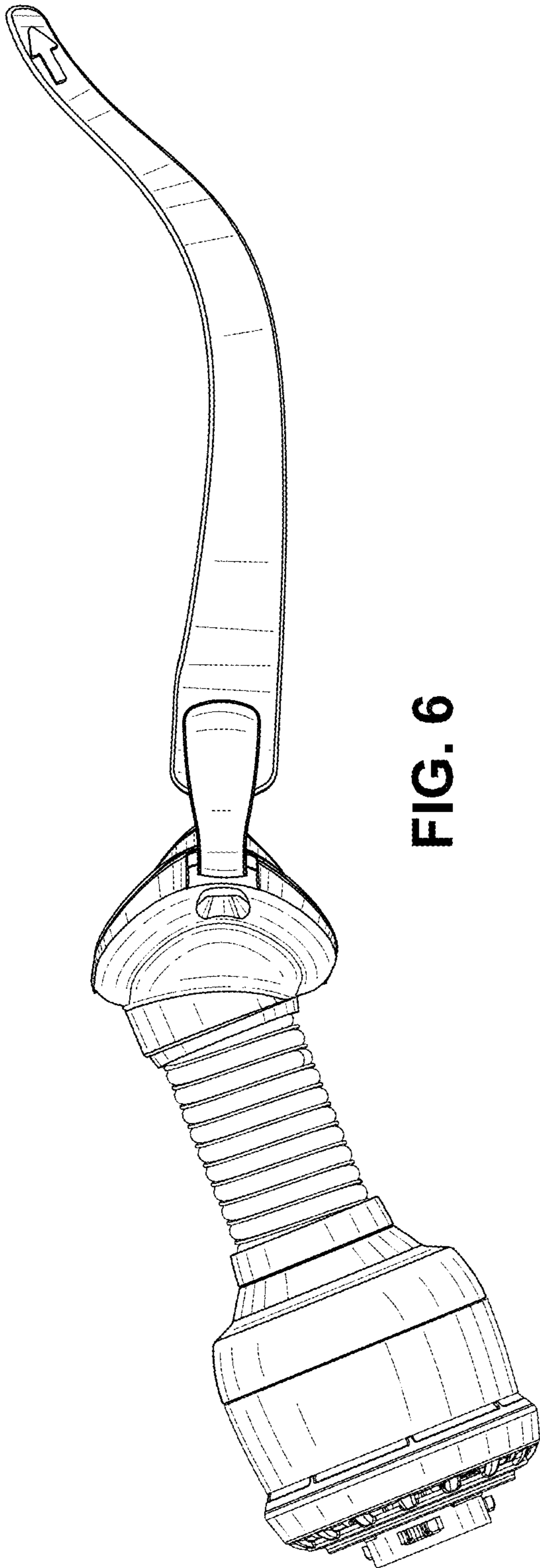


FIG. 6

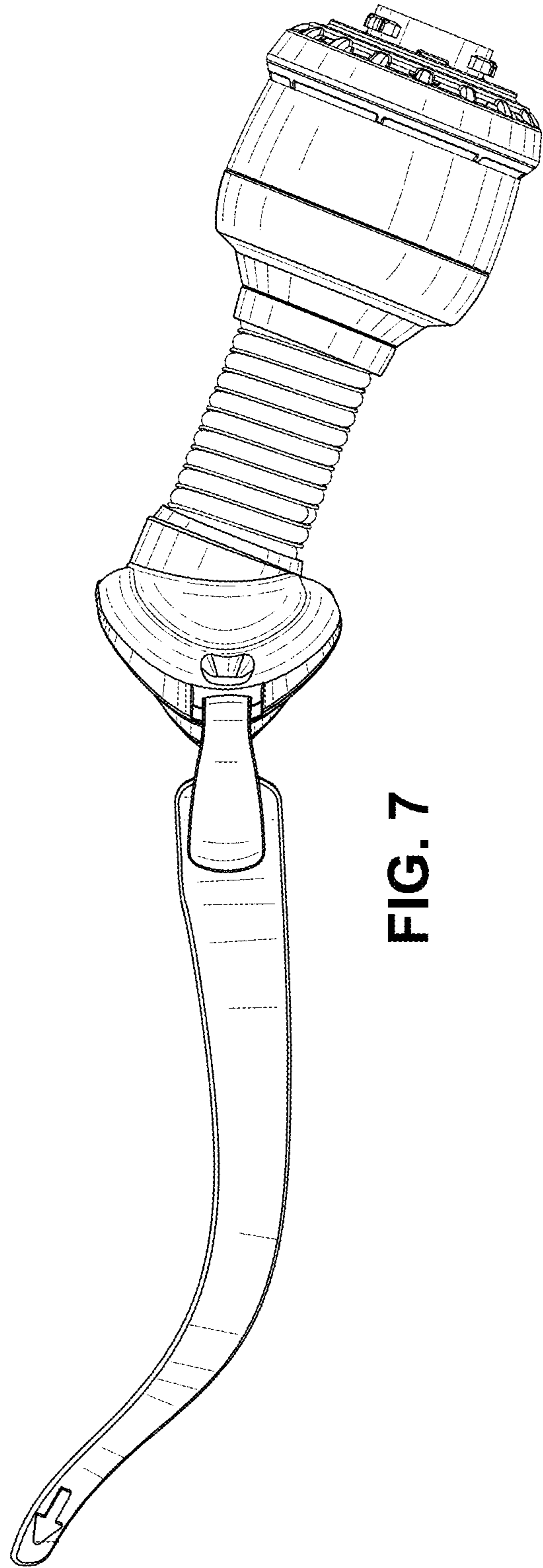


FIG. 7

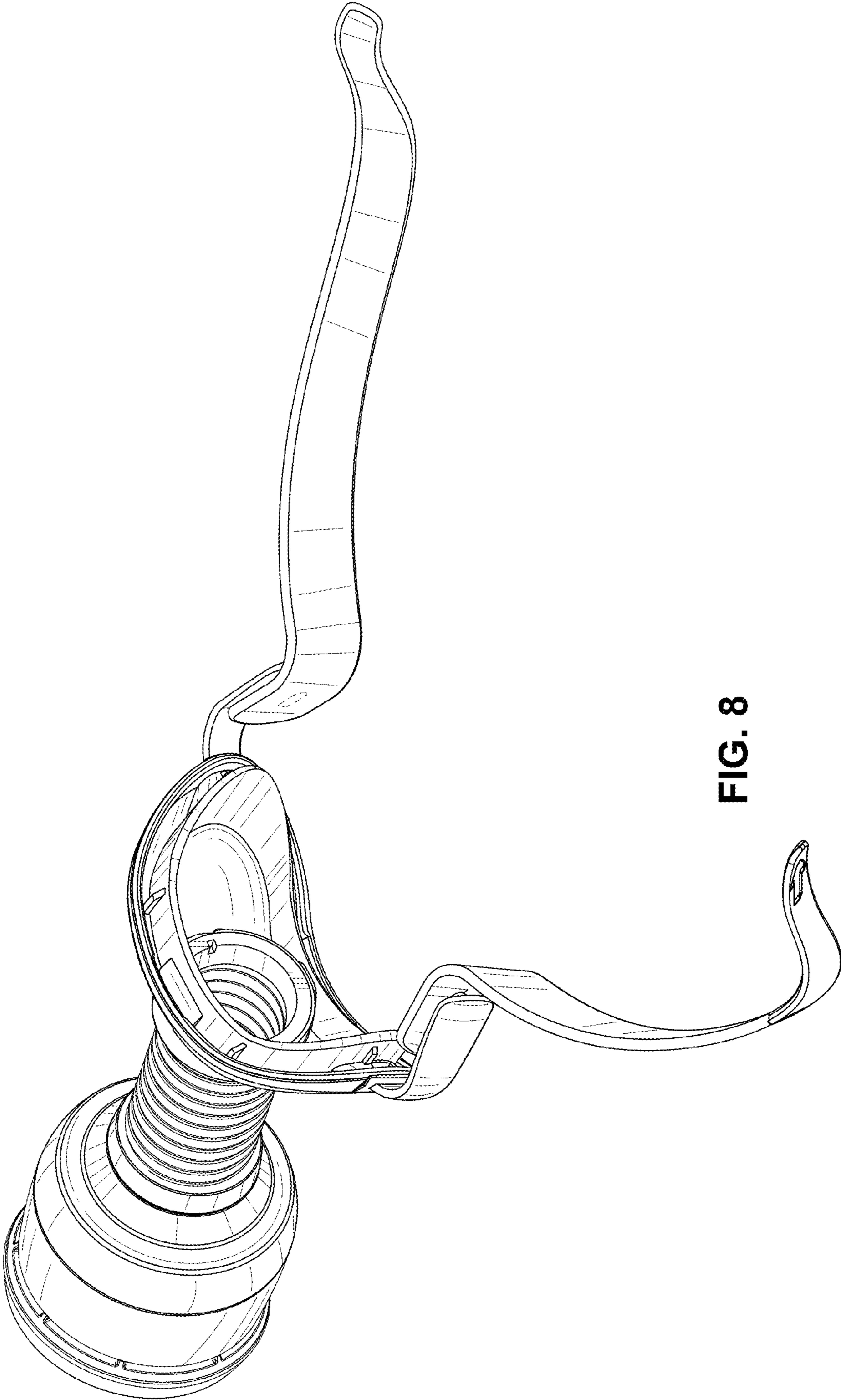


FIG. 8

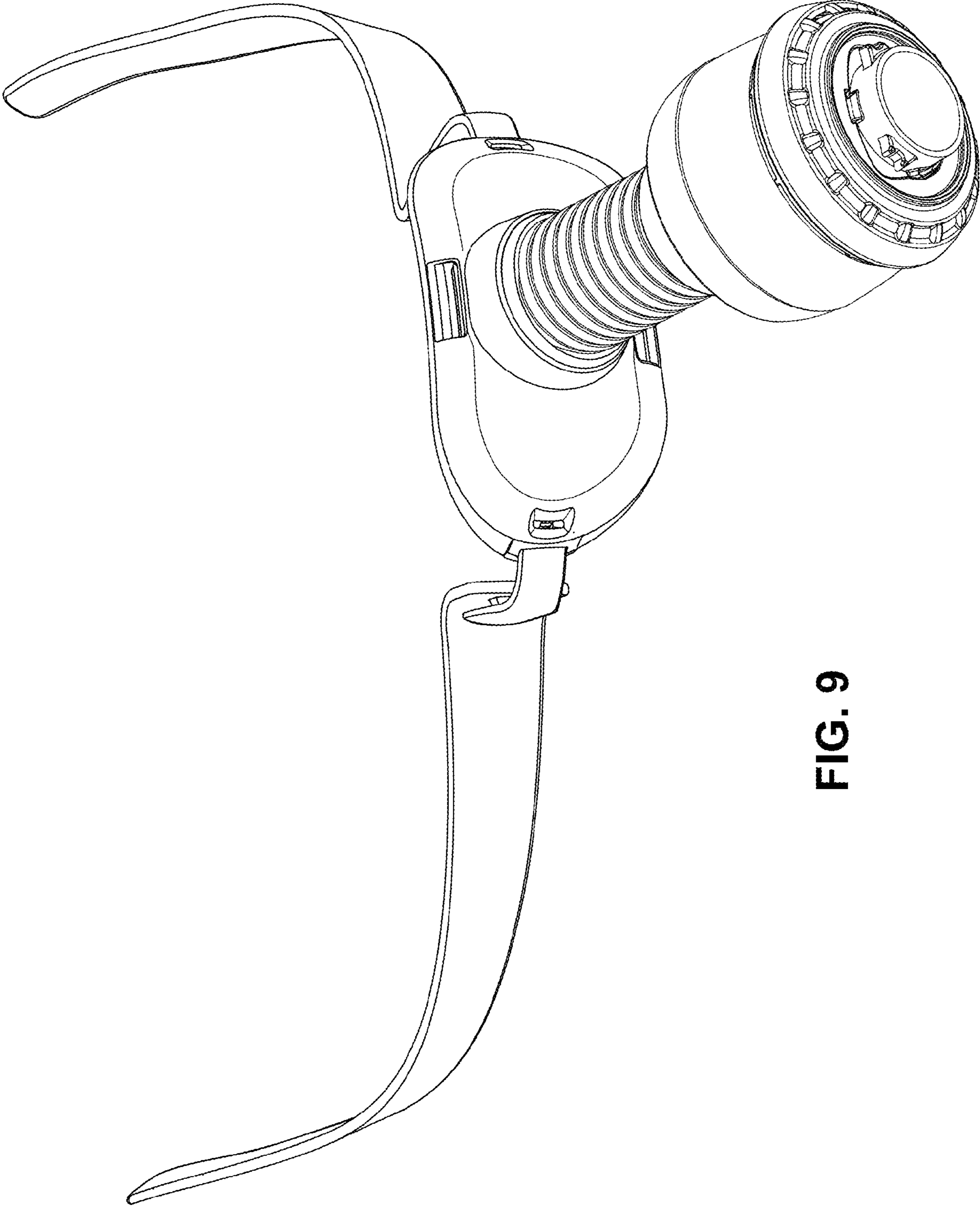


FIG. 9

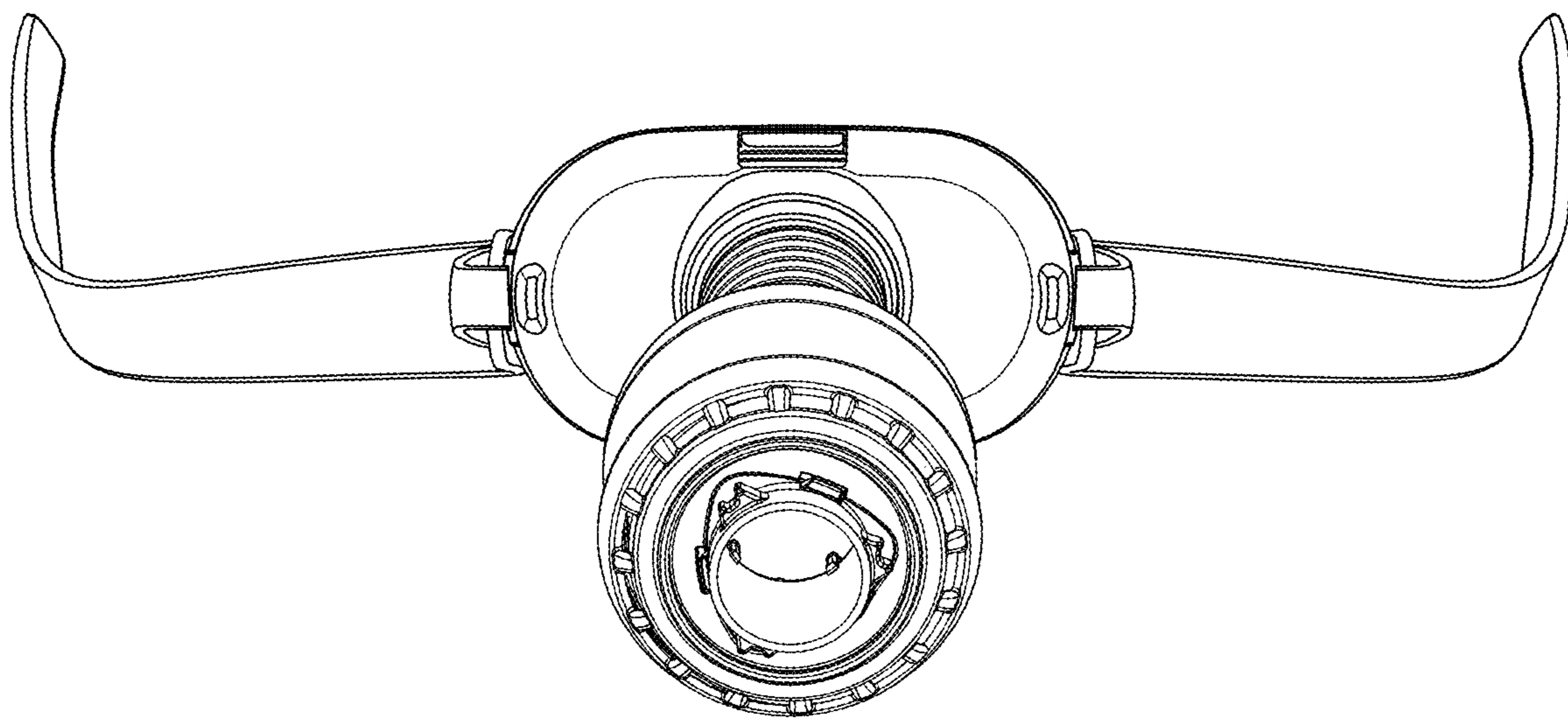


FIG. 10

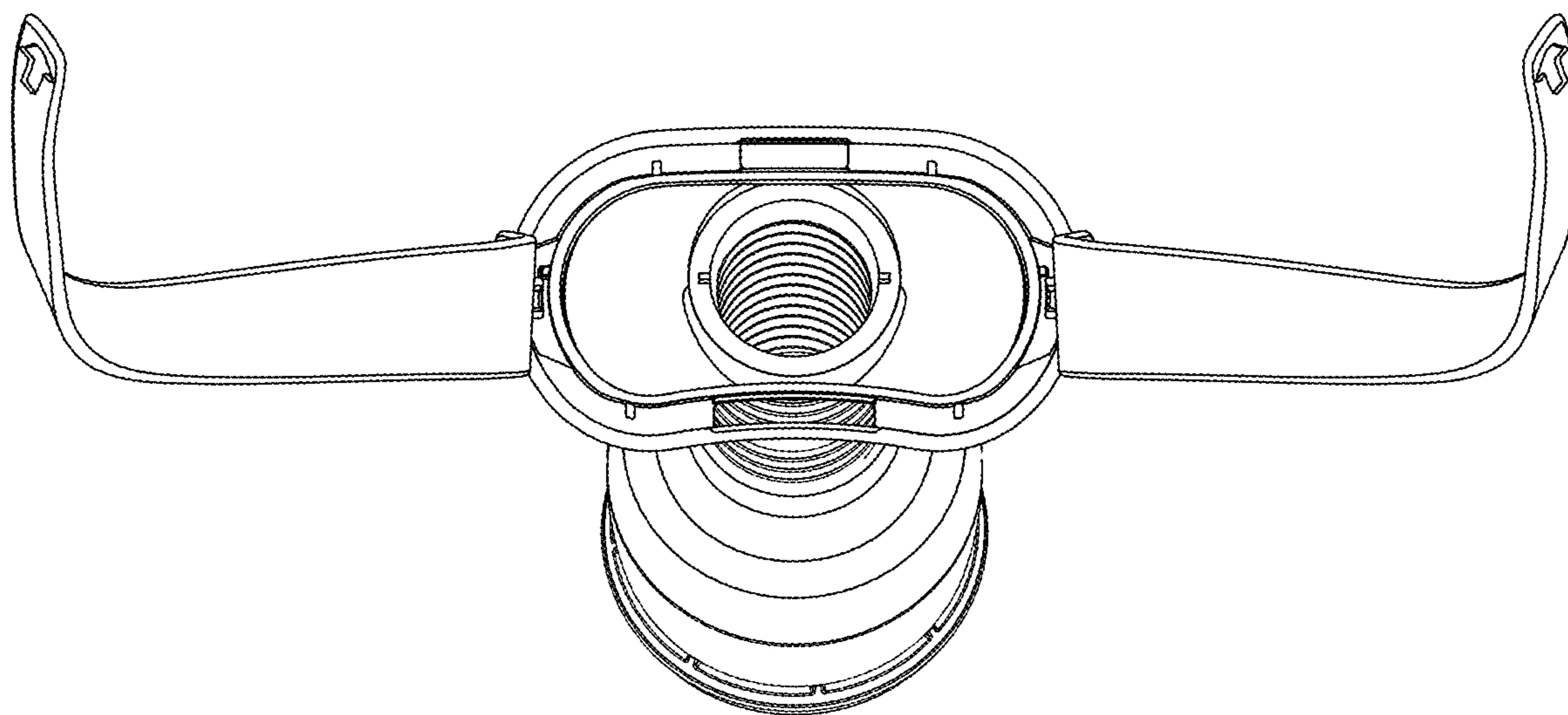


FIG. 11



FIG. 12

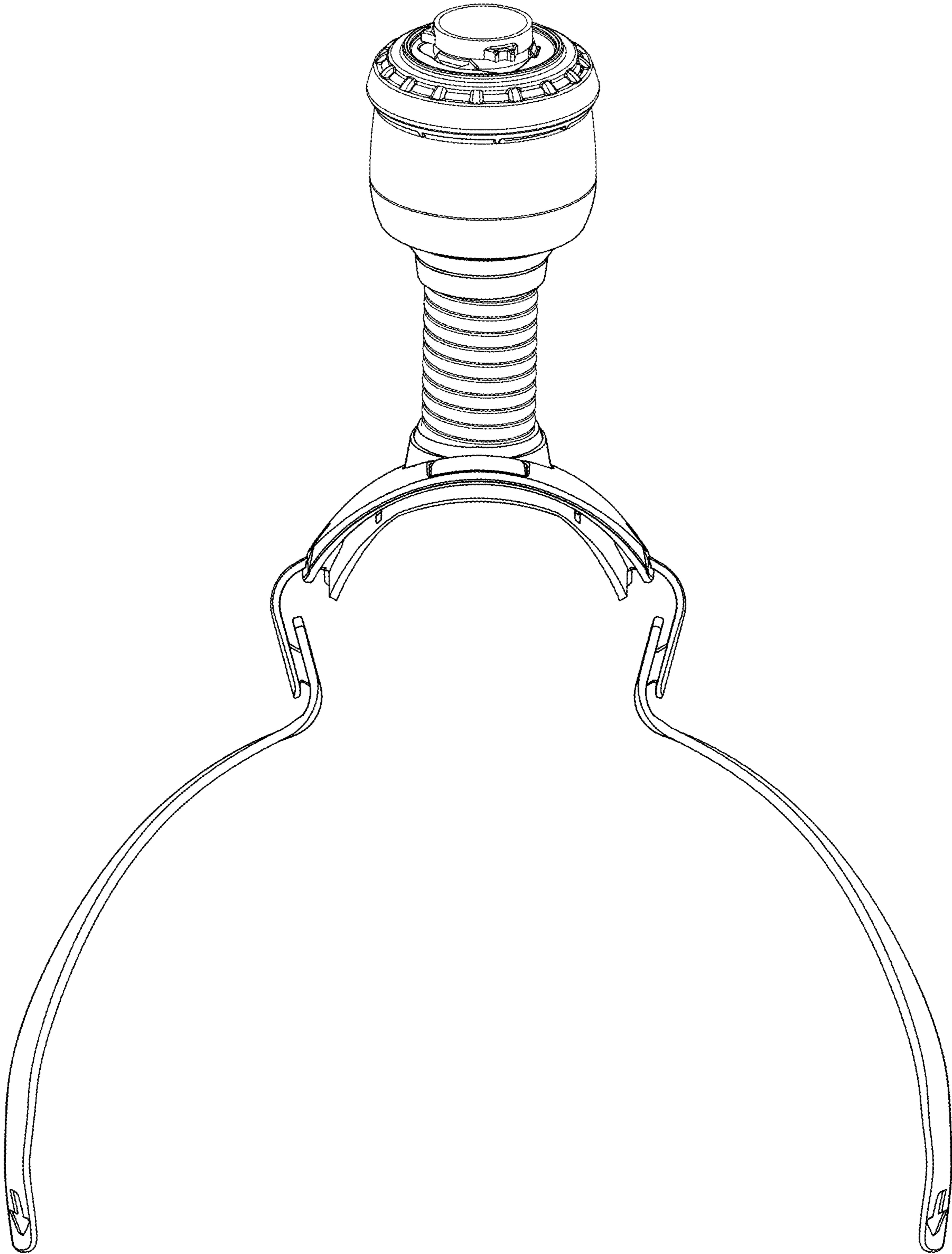


FIG. 13

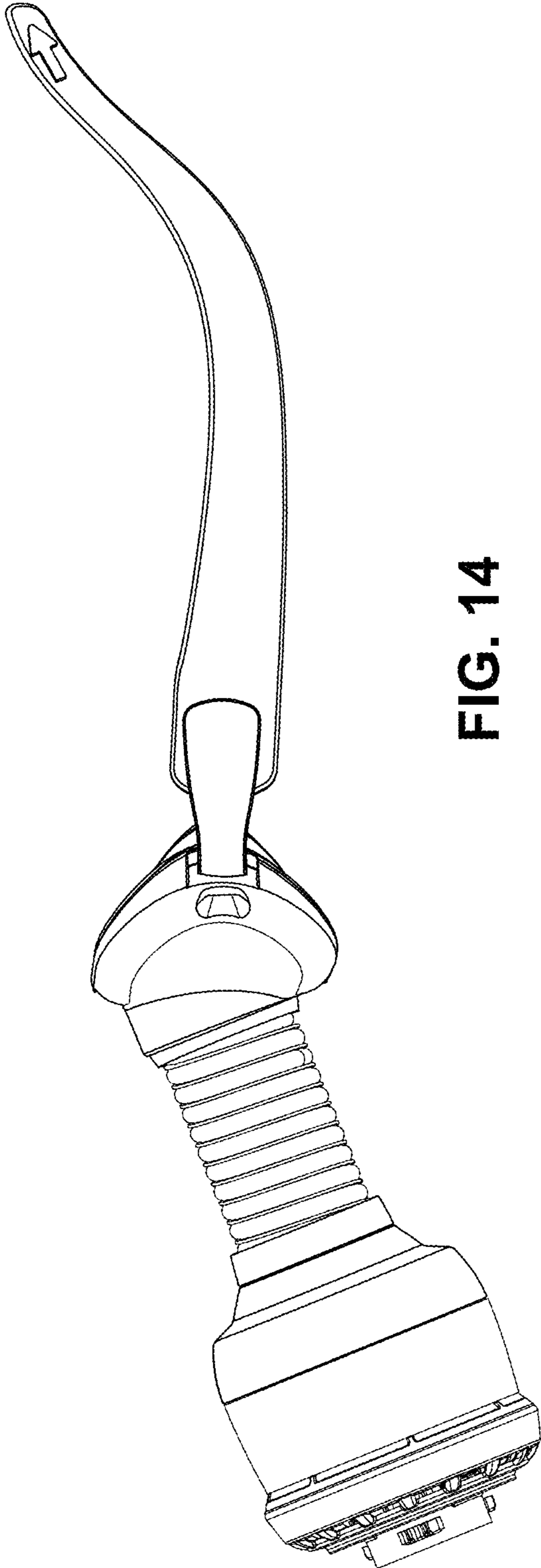


FIG. 14

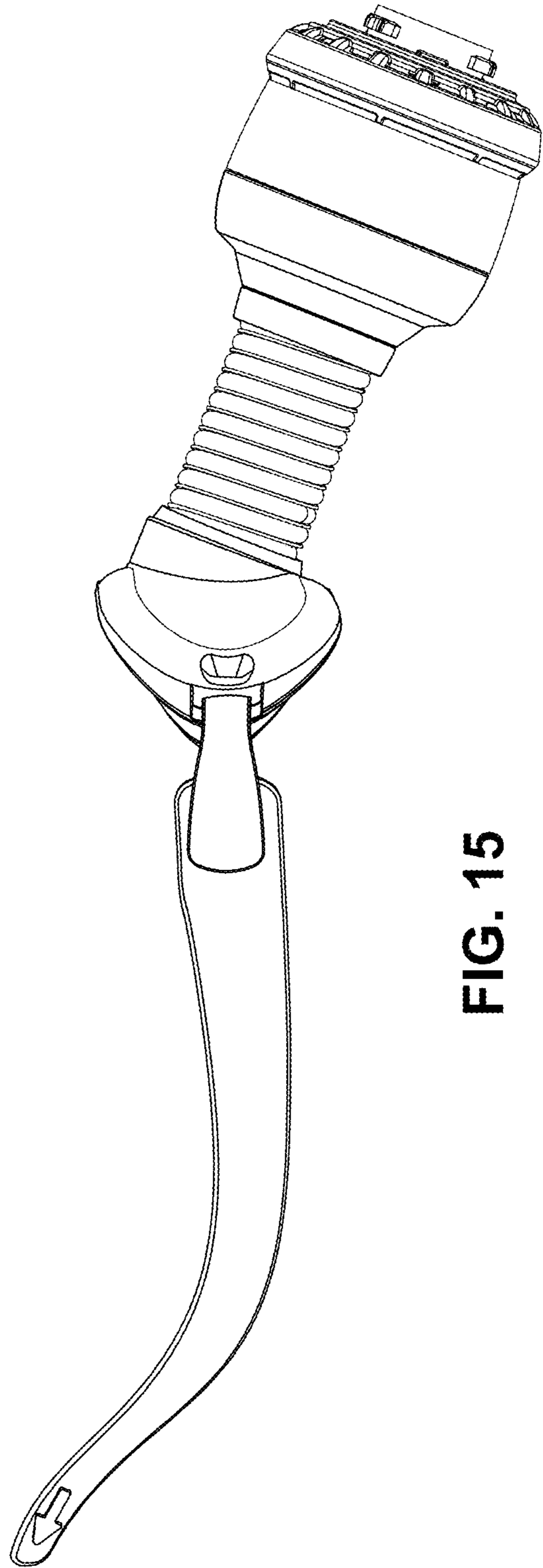


FIG. 15

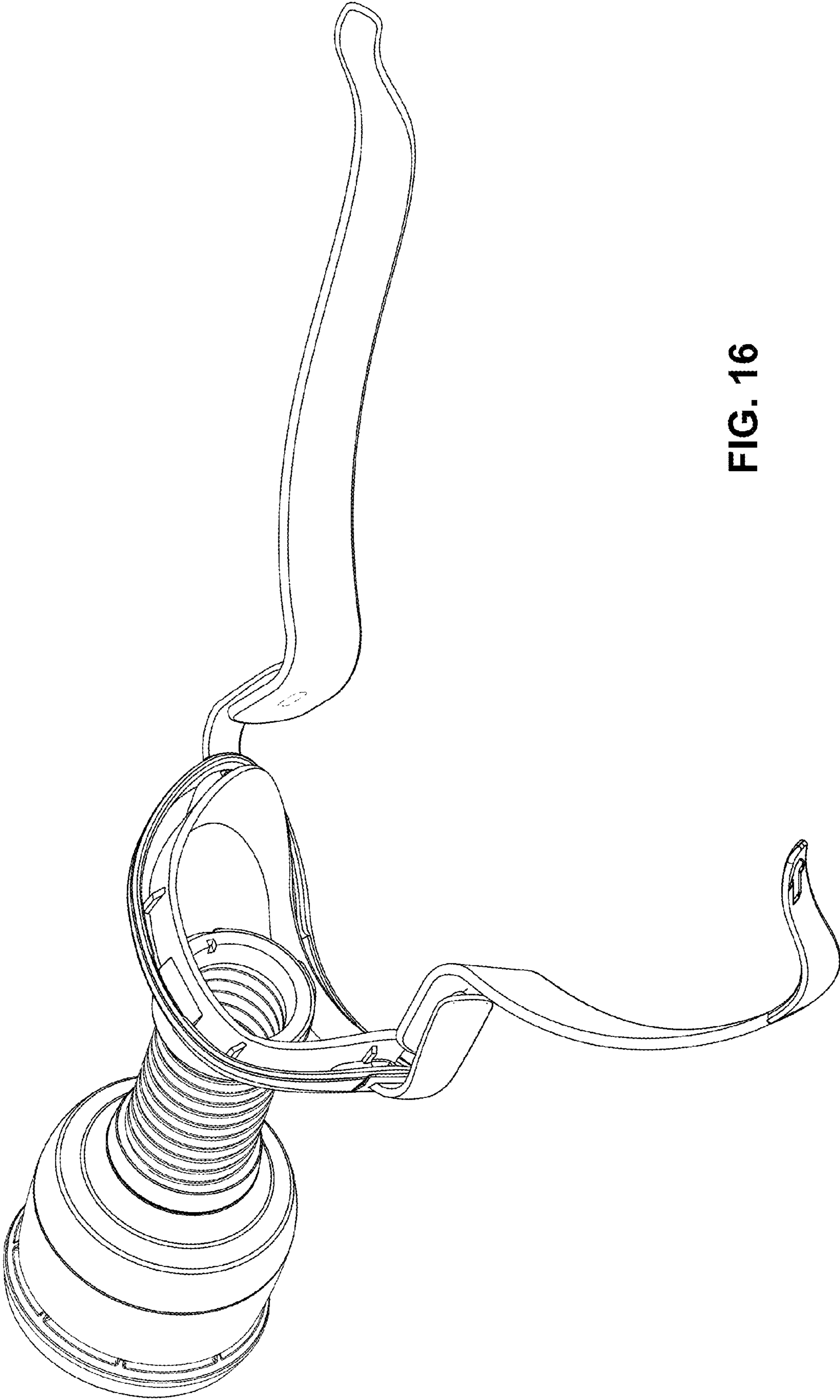


FIG. 16