



US00D882754S

(12) **United States Design Patent** (10) **Patent No.:** **US D882,754 S**
Turner et al. (45) **Date of Patent:** **** Apr. 28, 2020**

(54) **INHALER**

(56) **References Cited**

(71) Applicant: **Presspart GmbH & Co. KG**, Marsberg (DE)

U.S. PATENT DOCUMENTS

(72) Inventors: **Richard Turner**, Simonstone (GB); **Benjamin Jung**, Cologne (DE); **Dana Shears**, Cary, NC (US); **Hans-Peter Schmelzer**, Meerbusch (DE); **David Hibbard**, Bedford, NH (US); **Benjamin Glace**, Hampstead, NH (US); **Douglas Browne**, Groton, MA (US); **Karl Edward Robinson**, Middleton-In Teesdale (GB); **Victor Torres**, Barcelona (ES)

D571,001	S	*	6/2008	Warby	D24/110
D645,954	S	*	9/2011	Hately	D24/110
8,291,898	B2	*	10/2012	Southby	A61M 15/0073
						128/200.14
8,434,474	B2	*	5/2013	Hately	A61M 15/009
						128/200.14
8,689,785	B2	*	4/2014	Wright	G06M 1/00
						128/200.14
2007/0284383	A1	*	12/2007	Wright	G06M 1/00
						221/7
2008/0017192	A1	*	1/2008	Southby	A61M 15/009
						128/200.23

(Continued)

FOREIGN PATENT DOCUMENTS

(73) Assignee: **Presspart GmbH & Co. KG**, Marsberg (DE)

DE		29814647	U1	12/1999
WO		WO-97/13553	A1	4/1997

(Continued)

(**) Term: **15 Years**

Primary Examiner — Sheryl Lane

(21) Appl. No.: **29/630,407**

Assistant Examiner — Aula Soroush

(22) Filed: **Dec. 20, 2017**

(74) *Attorney, Agent, or Firm* — Marshall, Gerstein & Borun LLP

(51) **LOC (12) Cl.** **29-02**

(57) **CLAIM**

(52) **U.S. Cl.**

The ornamental design for inhaler, as shown and described.

USPC **D24/110**

DESCRIPTION

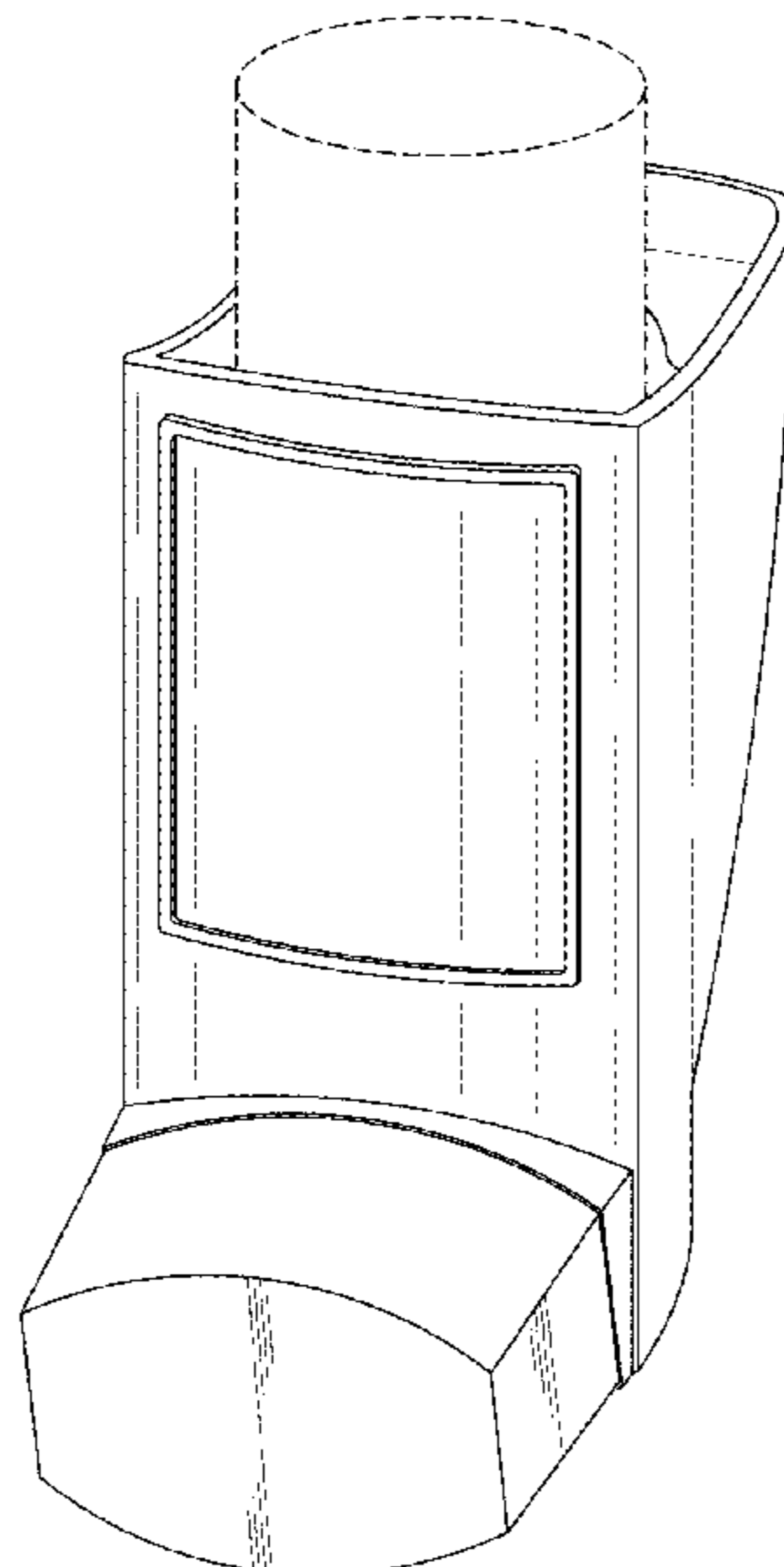
(58) **Field of Classification Search**

USPC D24/107, 108, 110, 110.1–110.5, 127, D24/164; D29/108; 128/200.14, 200.23
CPC A61M 15/0085; A61M 15/0005; A61M 15/00; A61M 15/0065; A61M 15/0091; A61M 15/0021; A61M 15/0026; A61M 15/008; A61M 15/007; A61M 11/005; A61M 11/00; A61M 11/02; A61M 11/04; A61M 5/087; A61M 5/0871; A61M 5/091; A61M 5/097; A63B 23/18

FIG. 1 is a front view of an inhaler showing our new design; FIG. 2 is rear view thereof; FIG. 3 is a right view thereof; FIG. 4 is a left view thereof; FIG. 5 is bottom view thereof; FIG. 6 is a top view thereof; and, FIG. 7 is a top perspective view thereof. The broken lines in the drawings depict portions of the inhaler that form no part of the claimed design.

See application file for complete search history.

1 Claim, 7 Drawing Sheets



(56)

References Cited

U.S. PATENT DOCUMENTS

2008/0283541 A1* 11/2008 Warby A61M 15/009
221/4
2010/0192948 A1 8/2010 Sutherland et al.
2010/0282249 A1* 11/2010 Hately A61M 15/009
128/200.23
2011/0253139 A1 10/2011 Guthrie et al.
2012/0234317 A1* 9/2012 Stuart A61M 15/009
128/200.23
2017/0004395 A1* 1/2017 Smith G06M 1/04
2018/0093053 A1* 4/2018 Turner A61M 15/009
2018/0221600 A1* 8/2018 Shears A61M 11/00
2018/0236187 A1* 8/2018 Jung A61M 15/008

FOREIGN PATENT DOCUMENTS

WO WO-05/009325 A2 2/2005
WO WO-07/045904 A1 4/2007
WO WO-2011/071788 A1 6/2011
WO WO-11/083377 A1 7/2011
WO WO-13/043063 A1 3/2013
WO WO-14/039367 A1 3/2014
WO WO-2016/030844 A1 3/2016

* cited by examiner

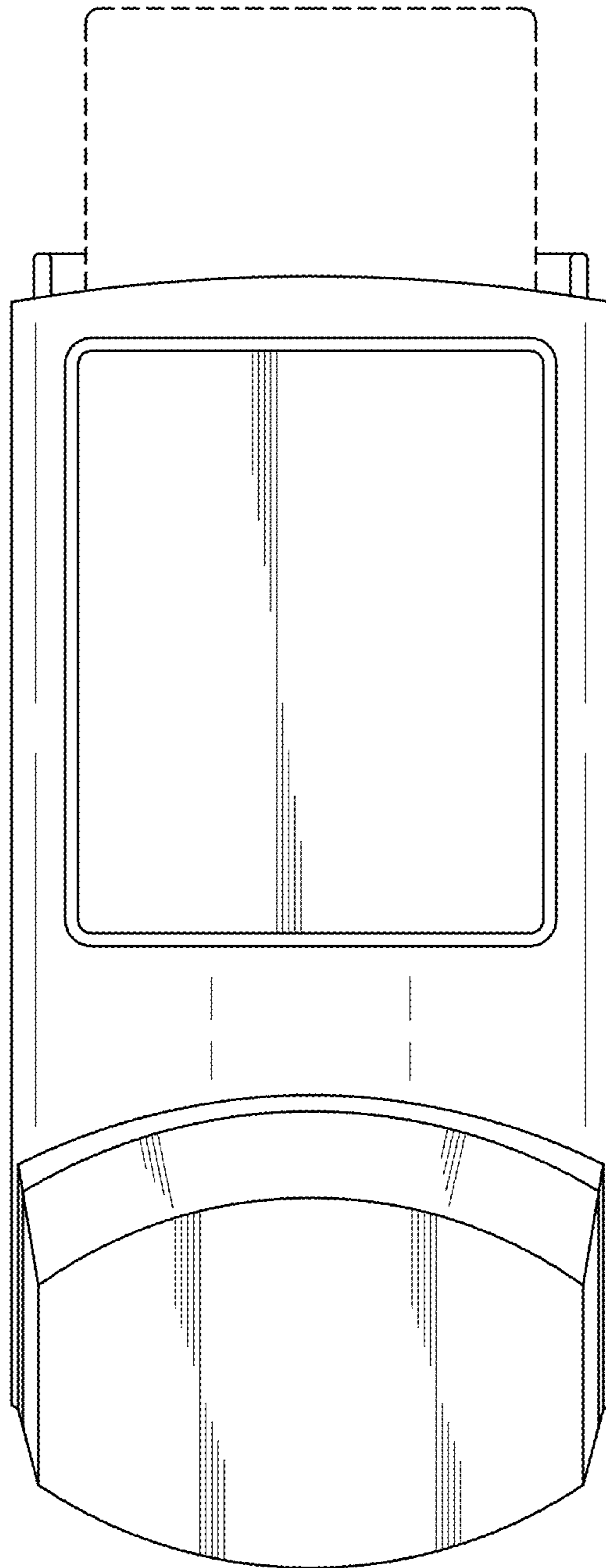


FIGURE 1

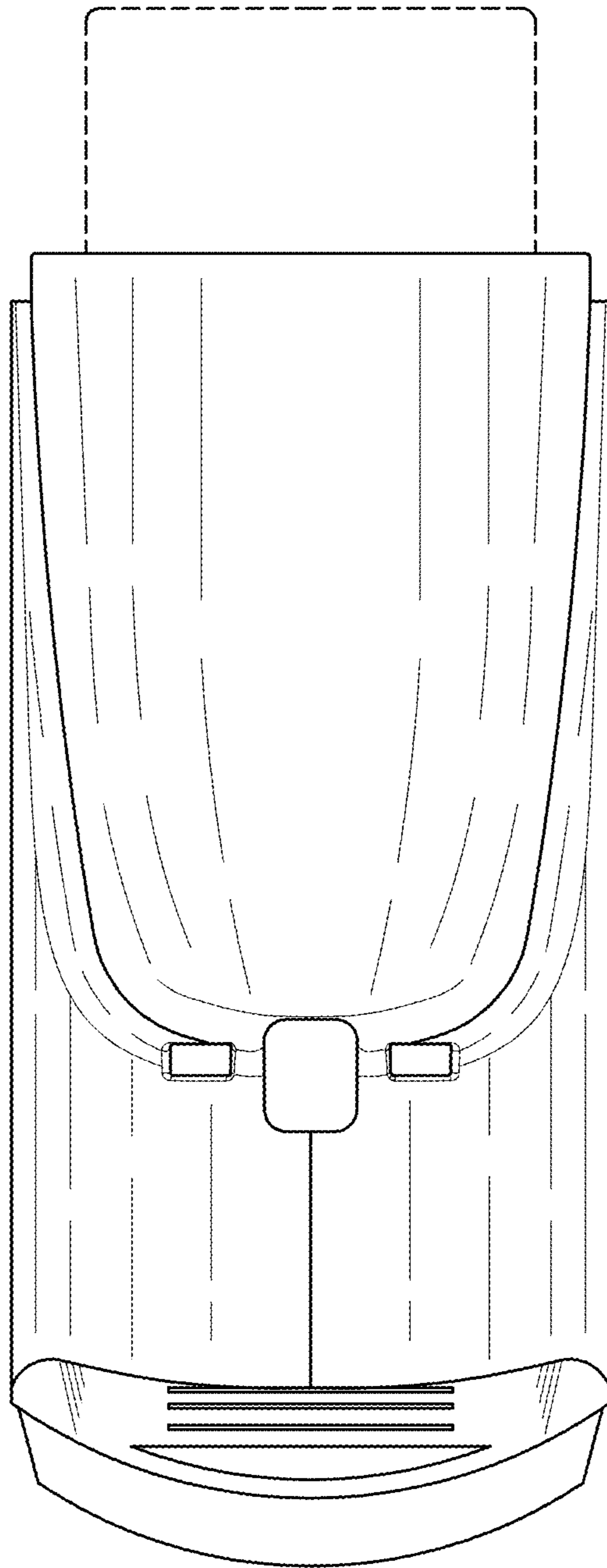


FIGURE 2

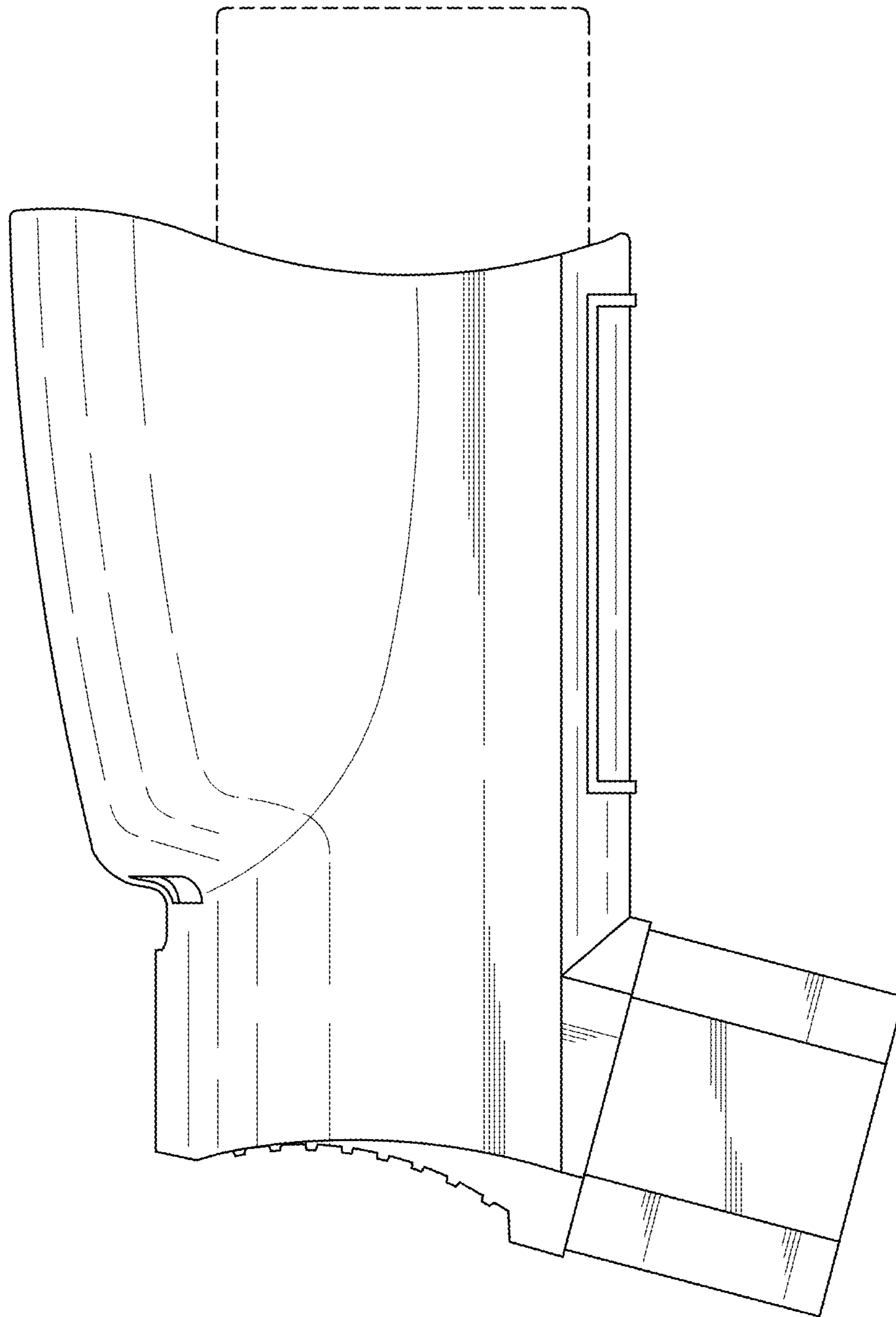


FIGURE 3

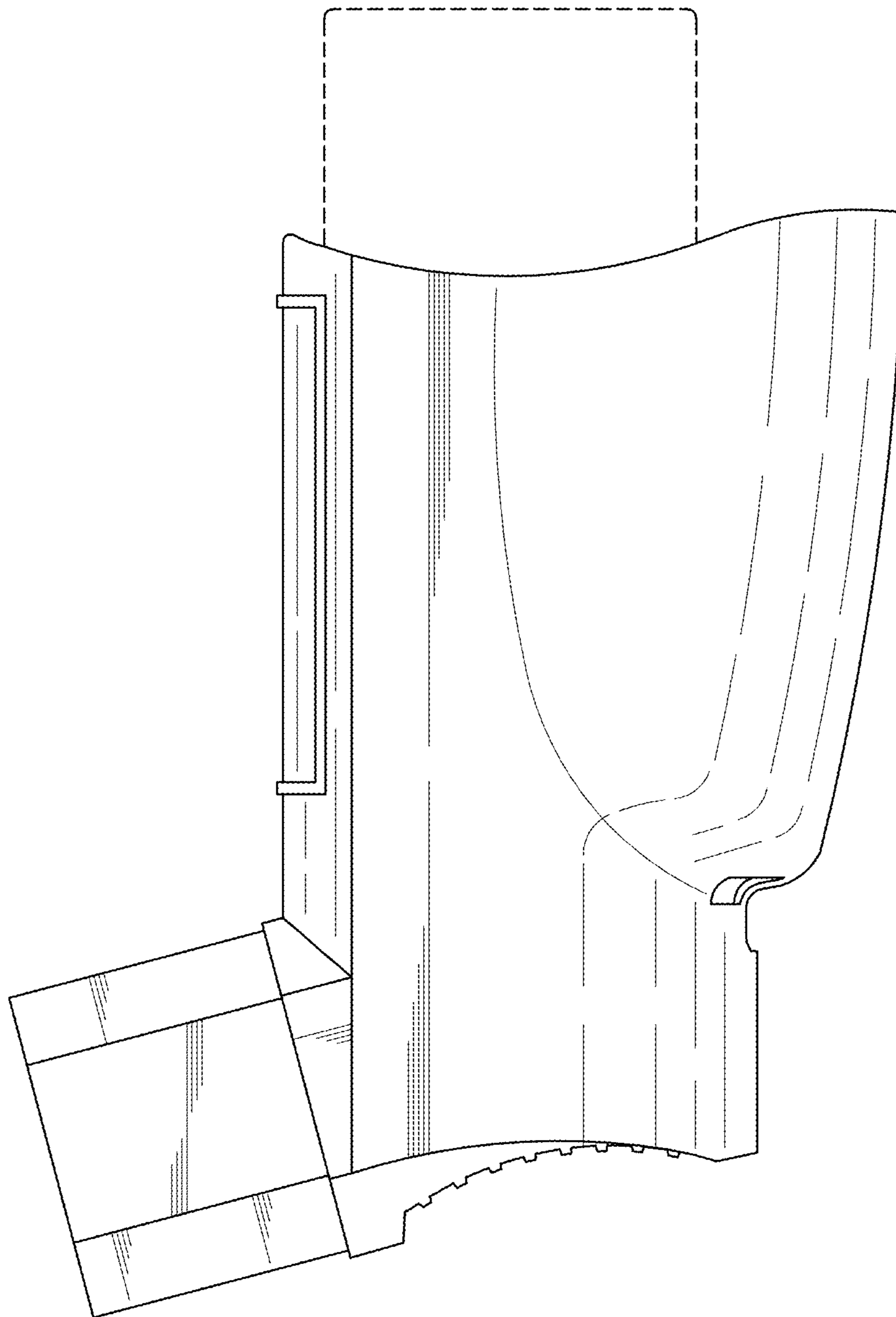


FIGURE 4

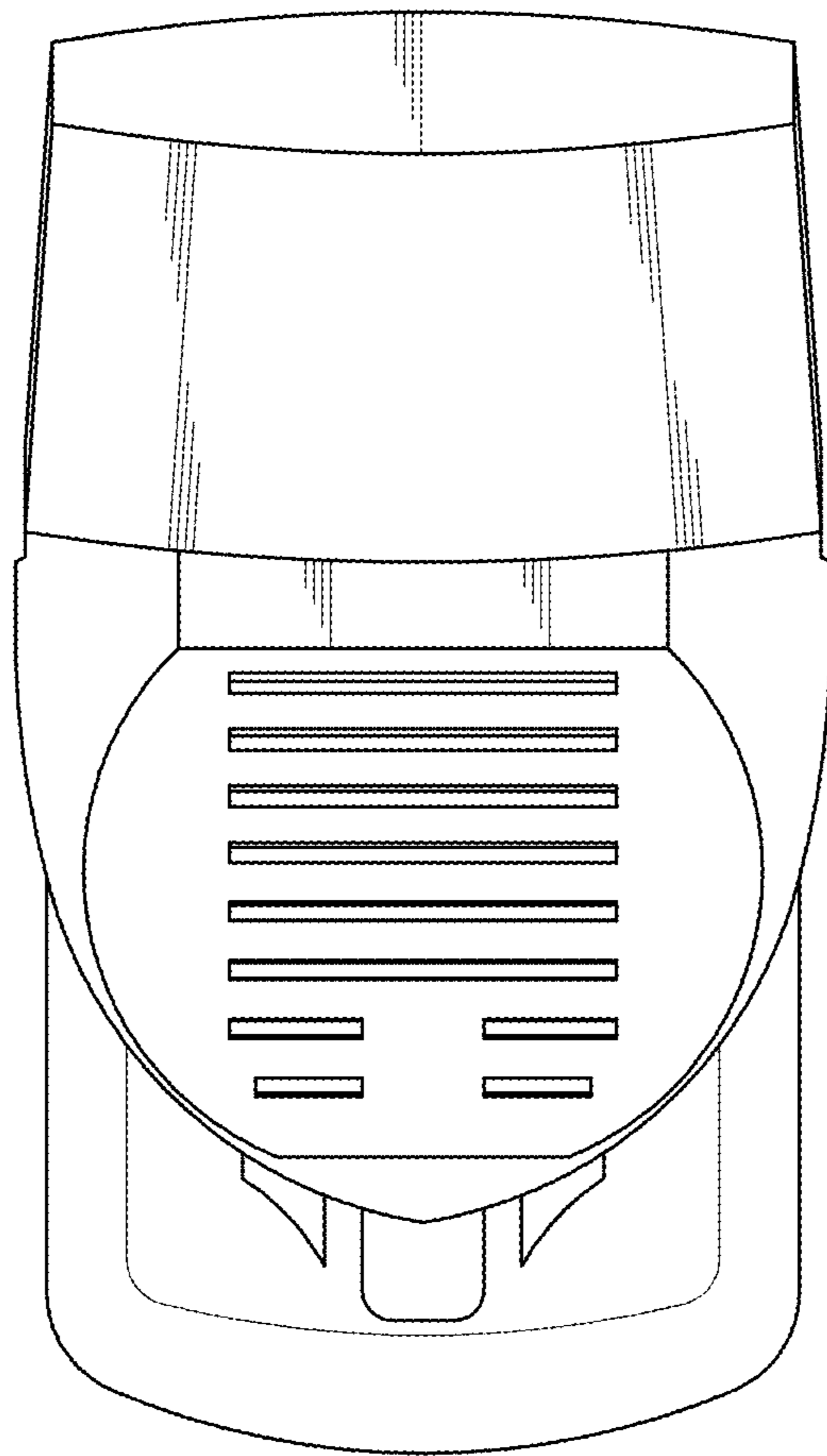


FIGURE 5

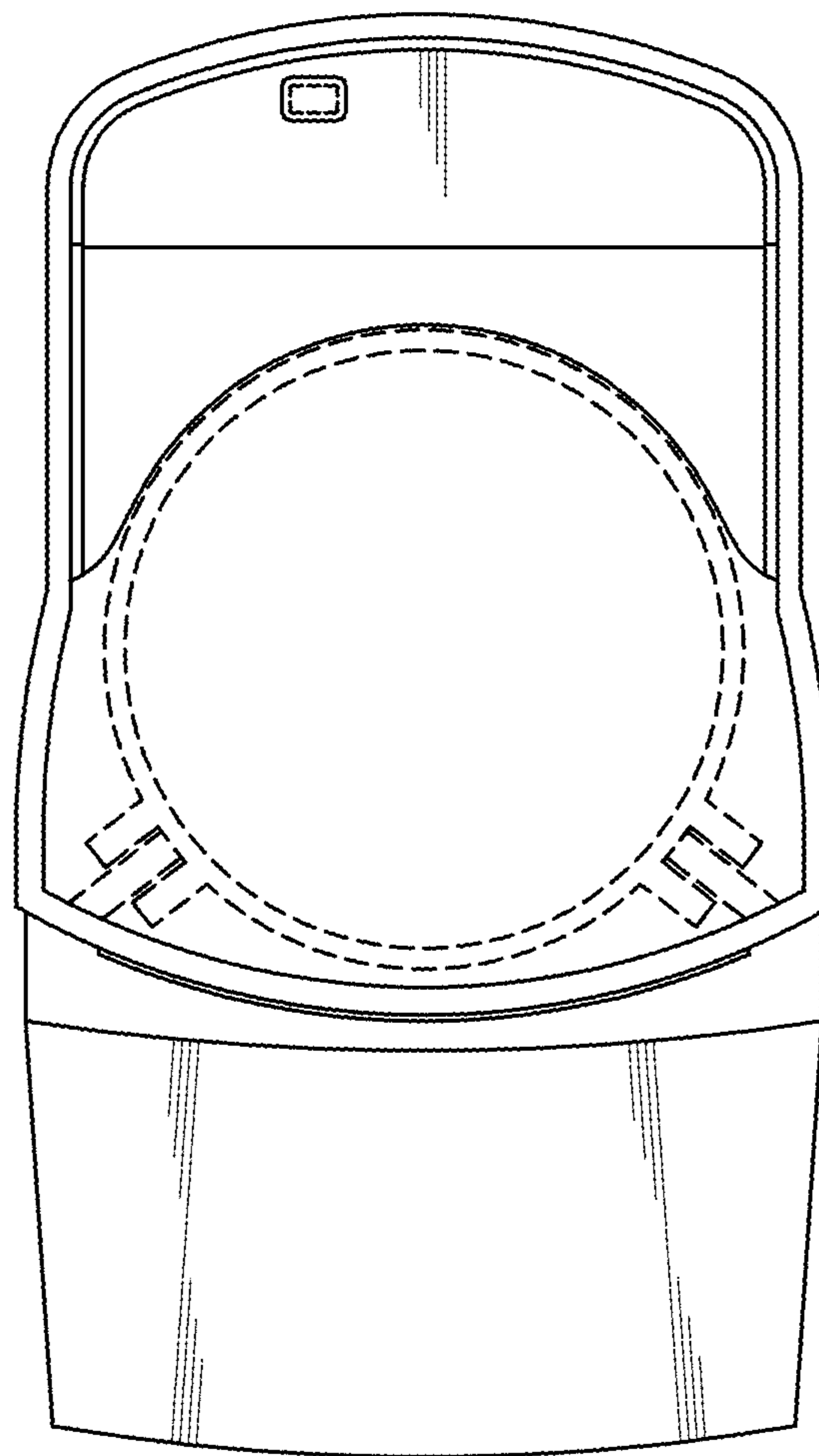


FIGURE 6

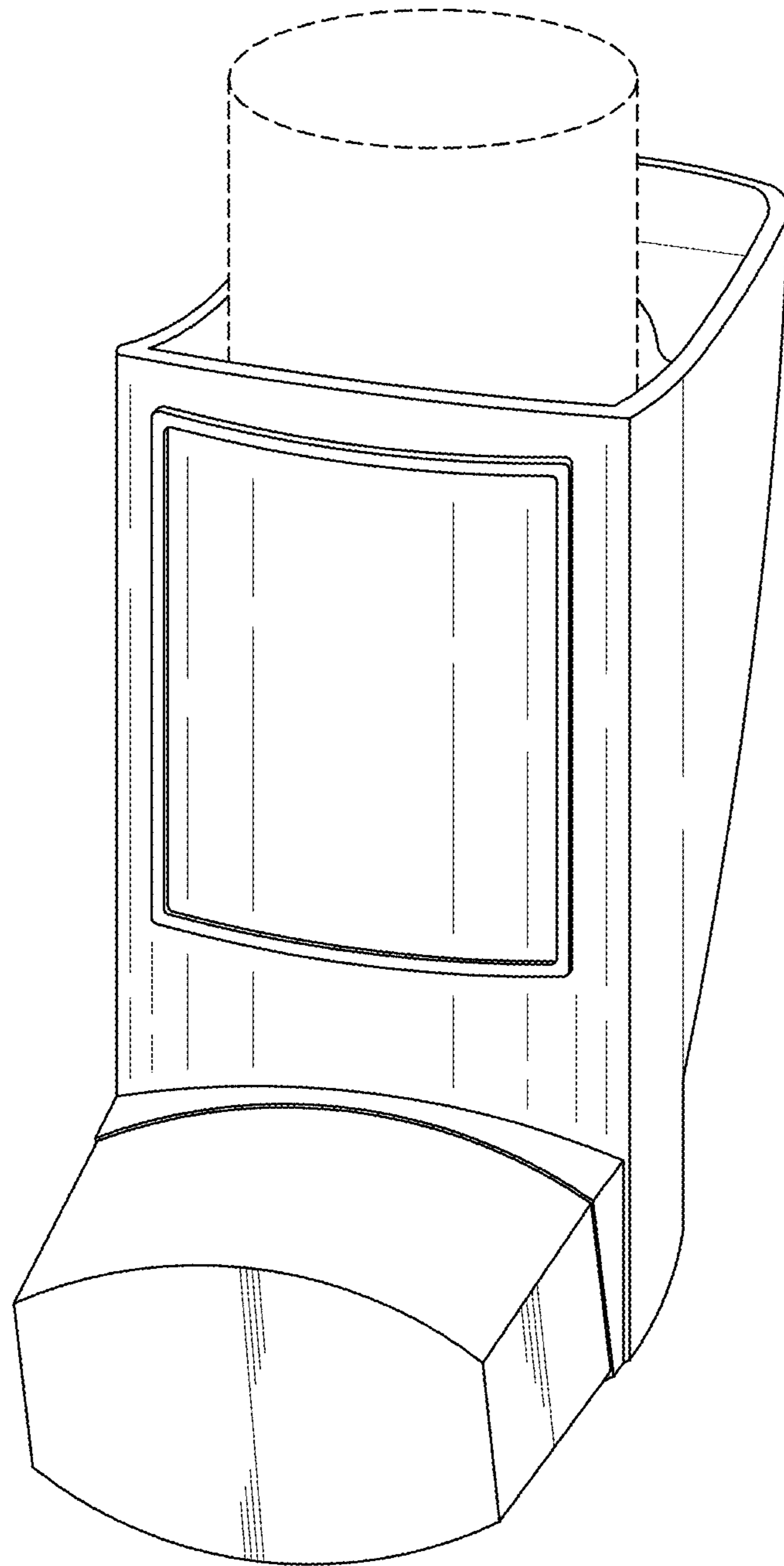


FIGURE 7

UNITED STATES PATENT AND TRADEMARK OFFICE
CERTIFICATE OF CORRECTION

PATENT NO. : D882,754 S
APPLICATION NO. : 29/630407
DATED : April 28, 2020
INVENTOR(S) : Richard Turner et al.

Page 1 of 1

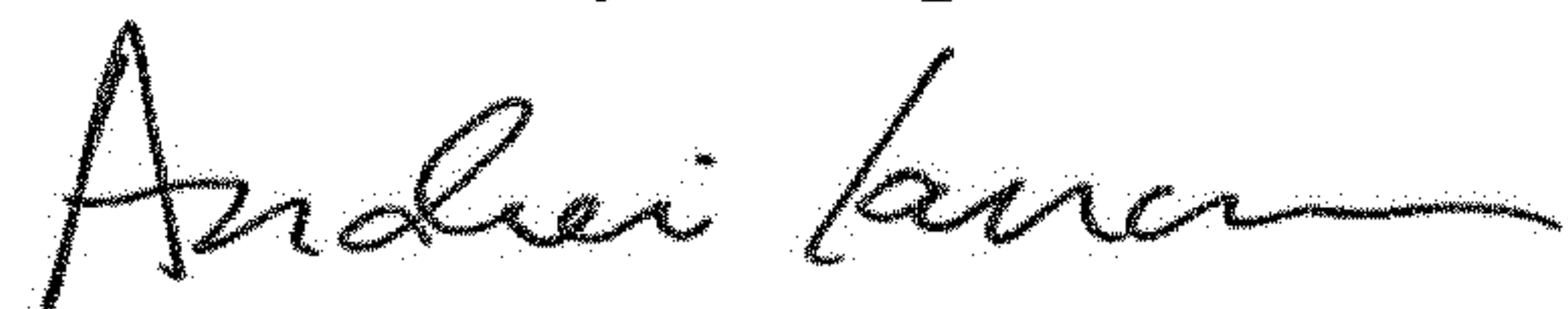
It is certified that error appears in the above-identified patent and that said Letters Patent is hereby corrected as shown below:

On the Title Page

Please insert Item (30):

--(30) Foreign Application Priority Data
June 21, 2017 (EUIPO) 004060408--

Signed and Sealed this
Fifteenth Day of September, 2020



Andrei Iancu
Director of the United States Patent and Trademark Office