



US00D882751S

(12) **United States Design Patent**
Huang et al.

(10) **Patent No.:** **US D882,751 S**

(45) **Date of Patent:** **** Apr. 28, 2020**

(54) **UNIT DOSE ARTICLE**

(71) Applicant: **The Procter & Gamble Company,**
Cincinnati, OH (US)

(72) Inventors: **Sun-Jan Alan Huang,** Cincinnati, OH
(US); **Mark Robert Sivik,** Mason, OH
(US); **Frank William Denome,**
Hamilton, OH (US); **Christopher Lee**
Haun, Amelia, OH (US)

(73) Assignee: **The Procter & Gamble Company,**
Cincinnati, OH (US)

(**) Term: **15 Years**

(21) Appl. No.: **29/626,128**

(22) Filed: **Nov. 15, 2017**

(51) **LOC (12) Cl.** **24-02**

(52) **U.S. Cl.**
USPC **D24/101**

(58) **Field of Classification Search**

USPC D24/100-105; D1/114, 127
CPC A61K 9/20; A61K 9/209; A61K 9/2077;
A61K 9/5078; A61K 9/4891; A61K
9/167; A61K 9/2072; A61K 9/2081;
A61K 9/2086; A61K 8/11

See application file for complete search history.

(56) **References Cited**

U.S. PATENT DOCUMENTS

D269,128 S * 5/1983 Hiscock 425/15
D283,739 S * 5/1986 Tovey D24/103

D312,322 S * 11/1990 Calandrillo D24/103
D323,388 S * 1/1992 Becker D24/103
D346,442 S * 4/1994 Kramer D24/101
D383,533 S * 9/1997 Jushchyshyn D24/103
D439,654 S * 3/2001 Hite D24/101
D440,650 S * 4/2001 Hite D24/103

* cited by examiner

Primary Examiner — Charles D Hanson

(74) *Attorney, Agent, or Firm* — Gary J. Foose

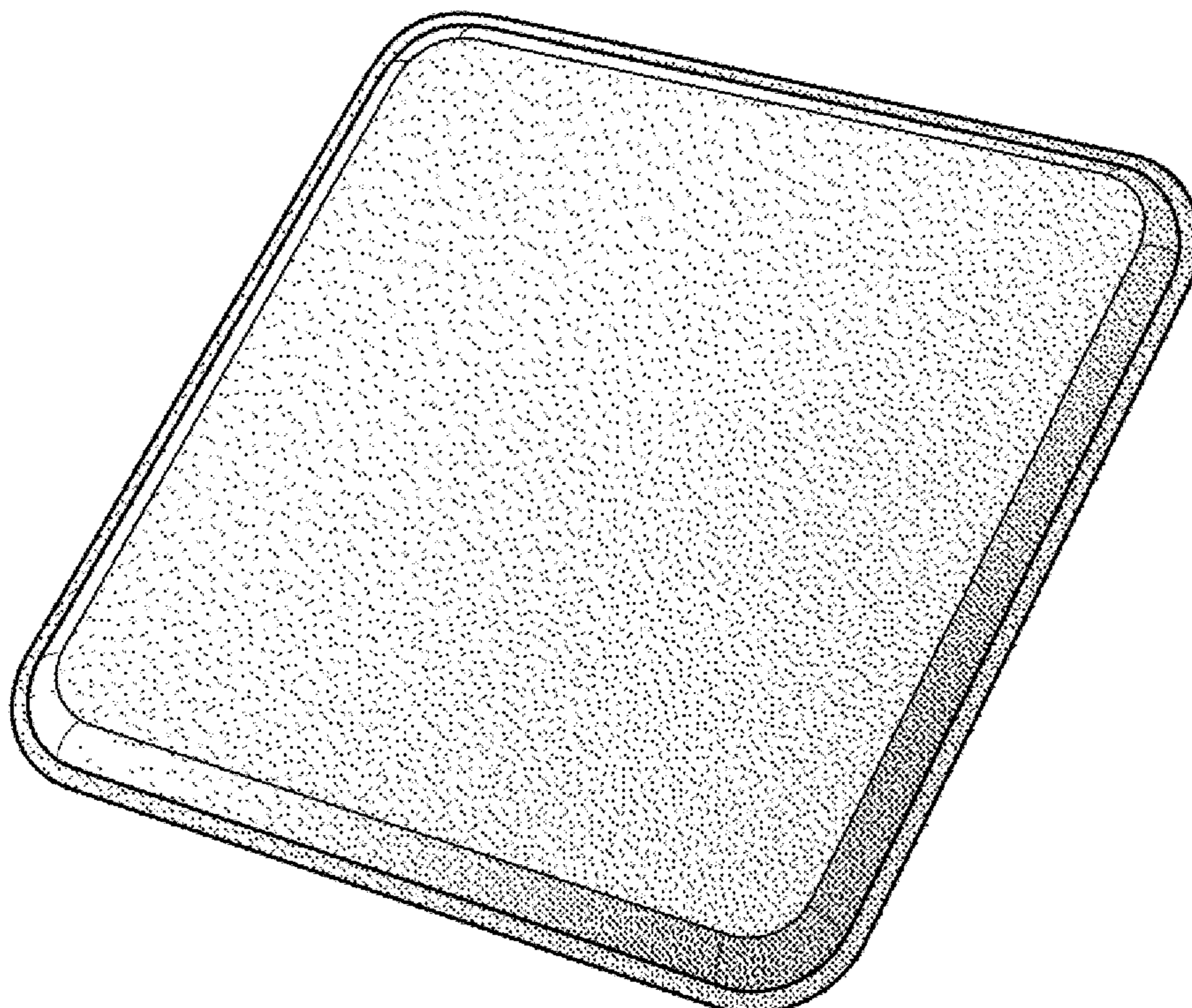
(57) **CLAIM**

The ornamental design for a unit dose article, as shown and described.

DESCRIPTION

FIG. 1 is a front perspective view of an embodiment of a unit dose article embodying our new design;
FIG. 2 is a front view of the unit dose article;
FIG. 3 is a left view of the unit dose article;
FIG. 4 is a back view of the unit dose article;
FIG. 5 is a right view of the unit dose article;
FIG. 6 is a top view of the unit dose article; and,
FIG. 7 is a bottom view of the unit dose article.
Any broken lines shown in the drawings are for illustrative purposes only and form no part of the claimed design.

1 Claim, 1 Drawing Sheet



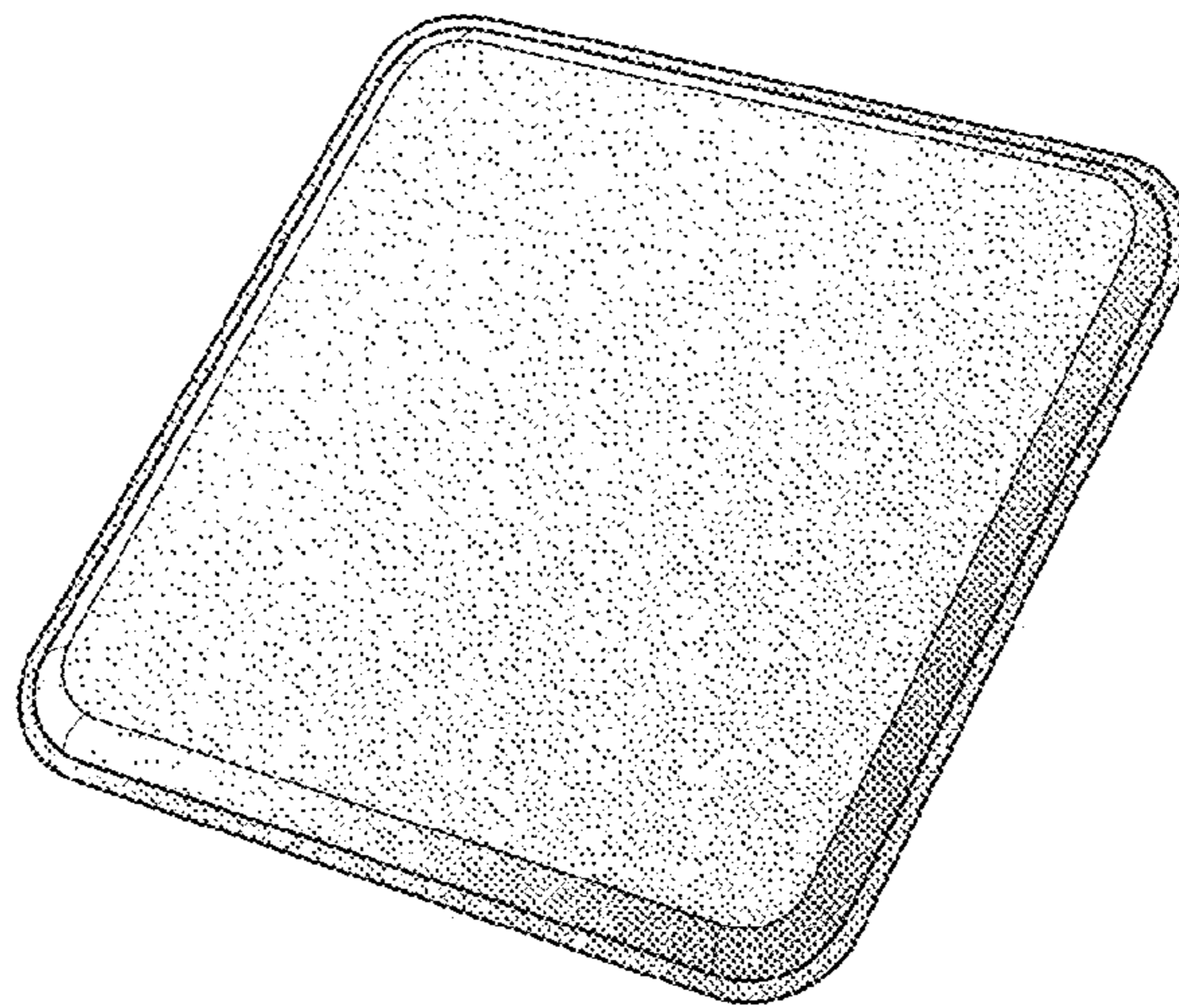


FIG. 1

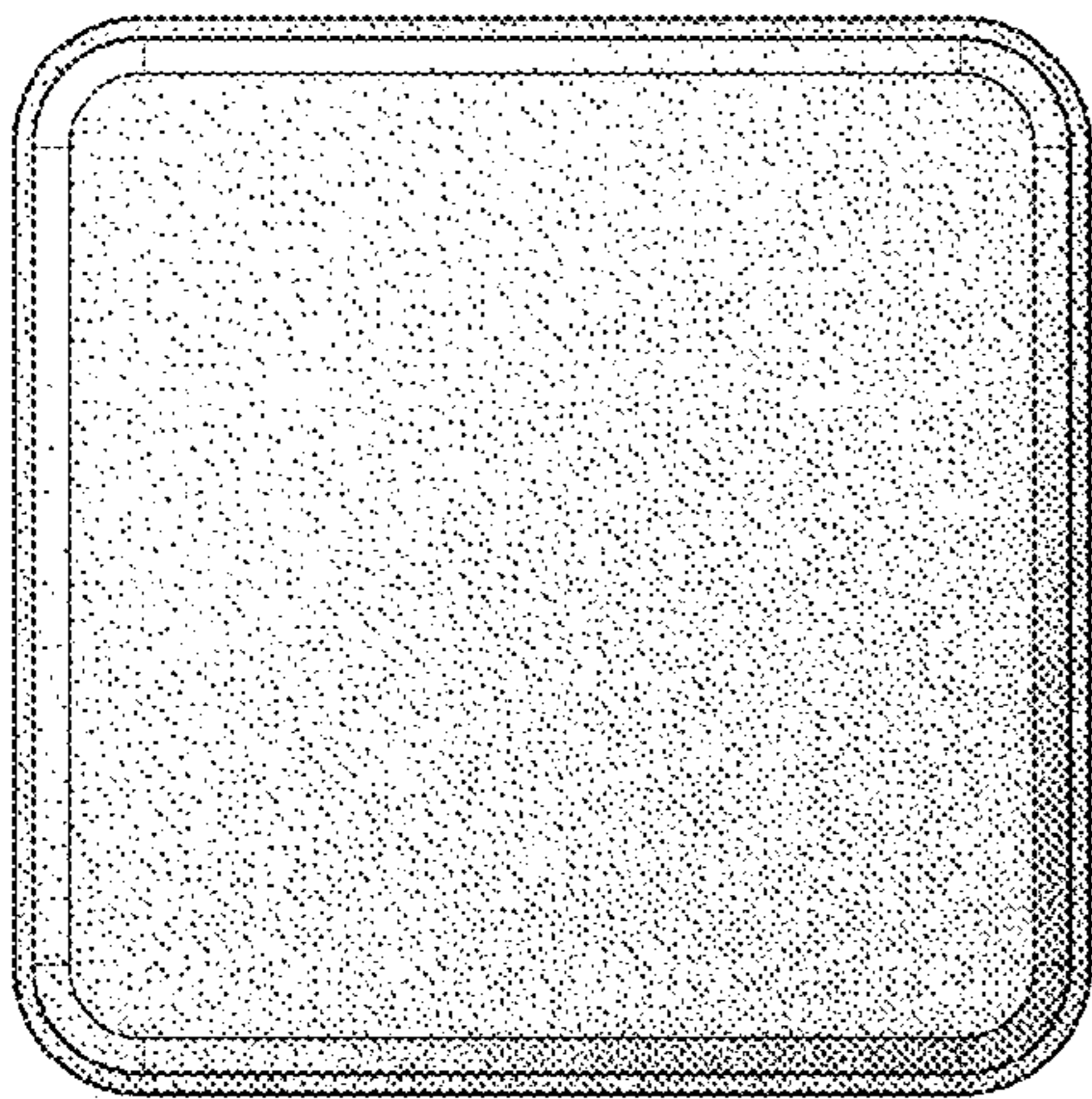


FIG. 2



FIG. 3

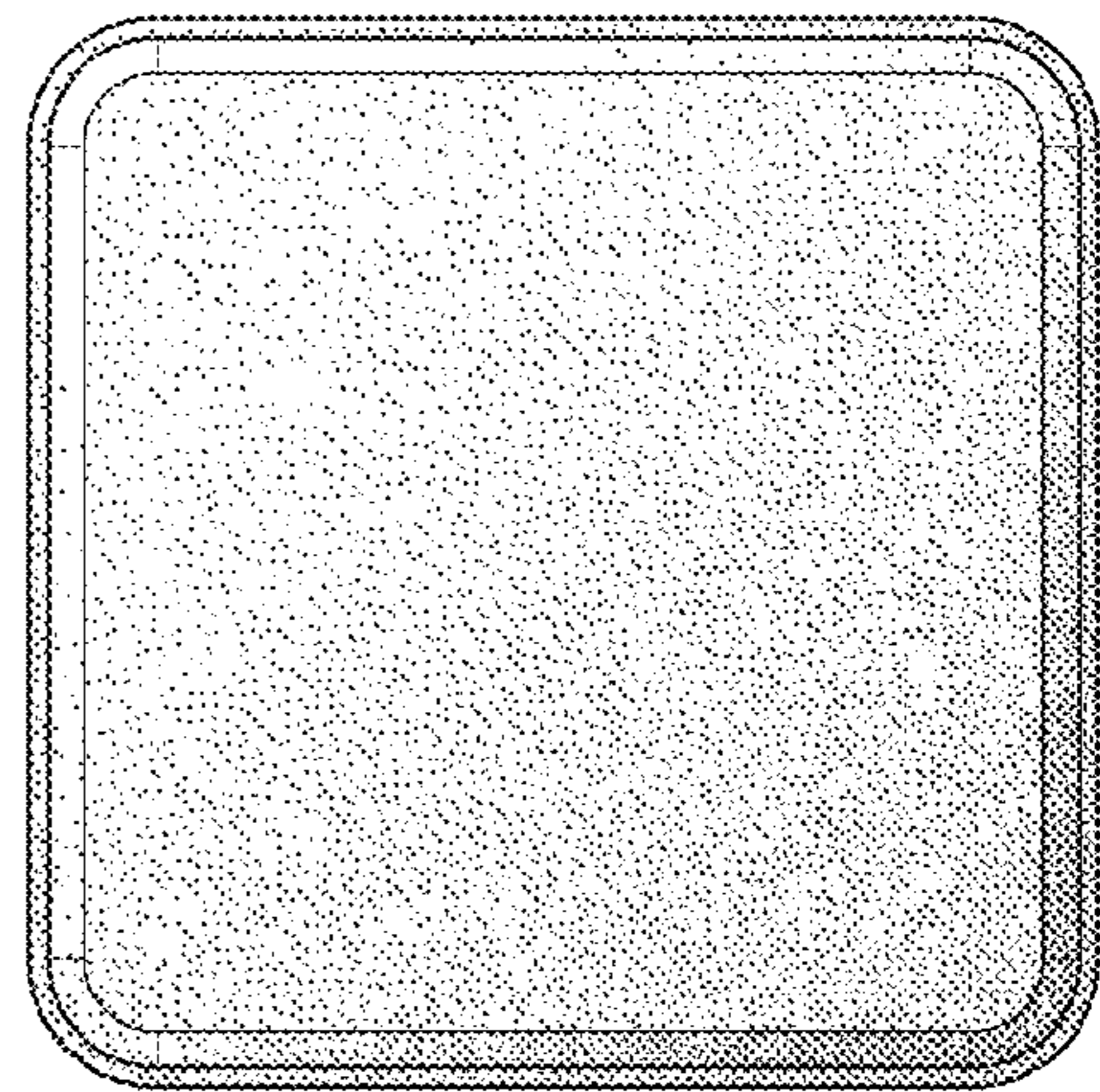


FIG. 4



FIG. 5

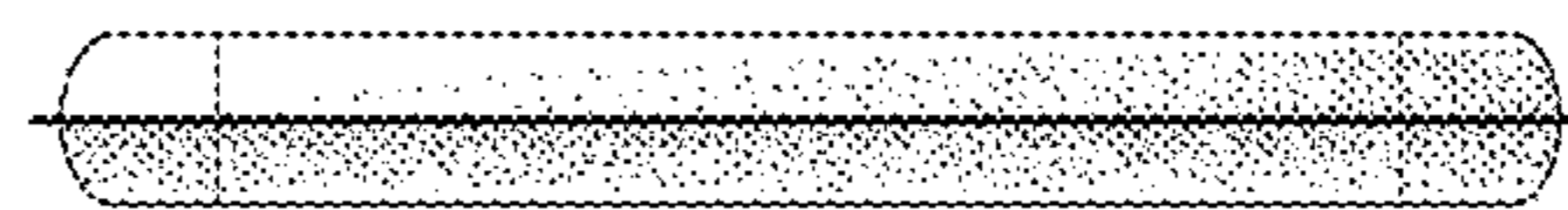


FIG. 6

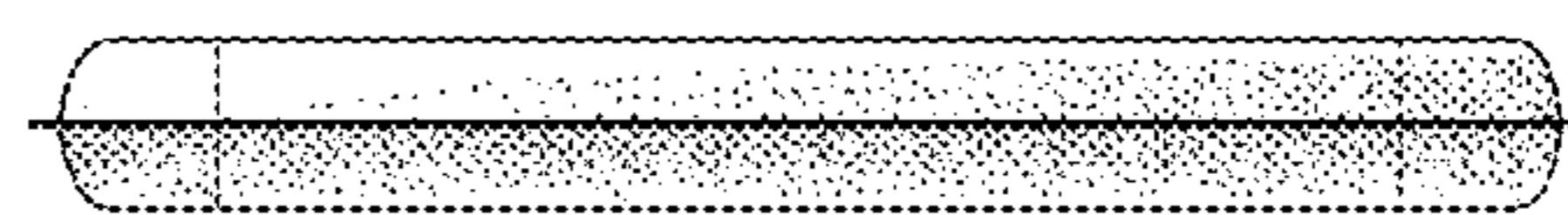


FIG. 7