



US00D882748S

(12) **United States Design Patent**
Haggar

(10) **Patent No.:** **US D882,748 S**

(45) **Date of Patent:** **** Apr. 28, 2020**

(54) **CEILING FAN**

(71) Applicant: **HUNTER FAN COMPANY,**
Memphis, TN (US)

(72) Inventor: **Alexander Jonathan Haggar,**
Memphis, TN (US)

(73) Assignee: **Hunter Fan Company,** Memphis, TN
(US)

(**) Term: **15 Years**

(21) Appl. No.: **29/635,486**

(22) Filed: **Jan. 31, 2018**

(51) **LOC (12) Cl.** **23-04**

(52) **U.S. Cl.**
USPC **D23/377**

(58) **Field of Classification Search**
USPC D26/59; D23/370, 377-382, 411-414
CPC F04D 25/088; F04D 29/38; F21V 21/03;
B63H 1/16

See application file for complete search history.

(56) **References Cited**

U.S. PATENT DOCUMENTS

D417,495 S	12/1999	Yang	
D475,782 S	6/2003	Hidalgo	
D476,406 S *	6/2003	Friedes	D23/377
D476,411 S *	6/2003	Friedes	D23/411
D605,751 S	12/2009	Yang	
D628,688 S	12/2010	Pan	
D632,381 S	2/2011	Davenport et al.	
D633,611 S *	3/2011	Pan	D23/377
D706,410 S	6/2014	Pan	
D708,314 S *	7/2014	Pan	D23/377
D760,368 S *	6/2016	Chen	D23/377
D761,949 S *	7/2016	Badarello	D23/377
D798,431 S *	9/2017	McRoberts	D23/377
D804,640 S *	12/2017	Haggar	D23/377
D807,491 S *	1/2018	Haggar	D23/377

D808,512 S *	1/2018	Hidalgo	D23/411
D821,559 S *	6/2018	Hidalgo	D23/377
D821,562 S *	6/2018	Haggar	D23/411
D851,234 S *	6/2019	Hidalgo	D23/377
D861,152 S *	9/2019	Orozco	D23/377
2016/0319842 A1 *	11/2016	Botkin	F04D 29/601

OTHER PUBLICATIONS

<https://www.menards.com/main/lighting-ceiling-fans/ceiling-fans/shop-all-ceiling-fans/turn-of-the-century-reg-lafitte-52-gold-stone-transitional-ceiling-fan/p-1444438448164-c-7488.htm?tid=-4699902131565406358>, Turn of the Century Lafitte 52" Gold Stone Ceiling Fan, Model No. fn1305gs, accessed May 3, 2017.

(Continued)

Primary Examiner — Janice Hallmark

(74) *Attorney, Agent, or Firm* — McGarry Bair PC

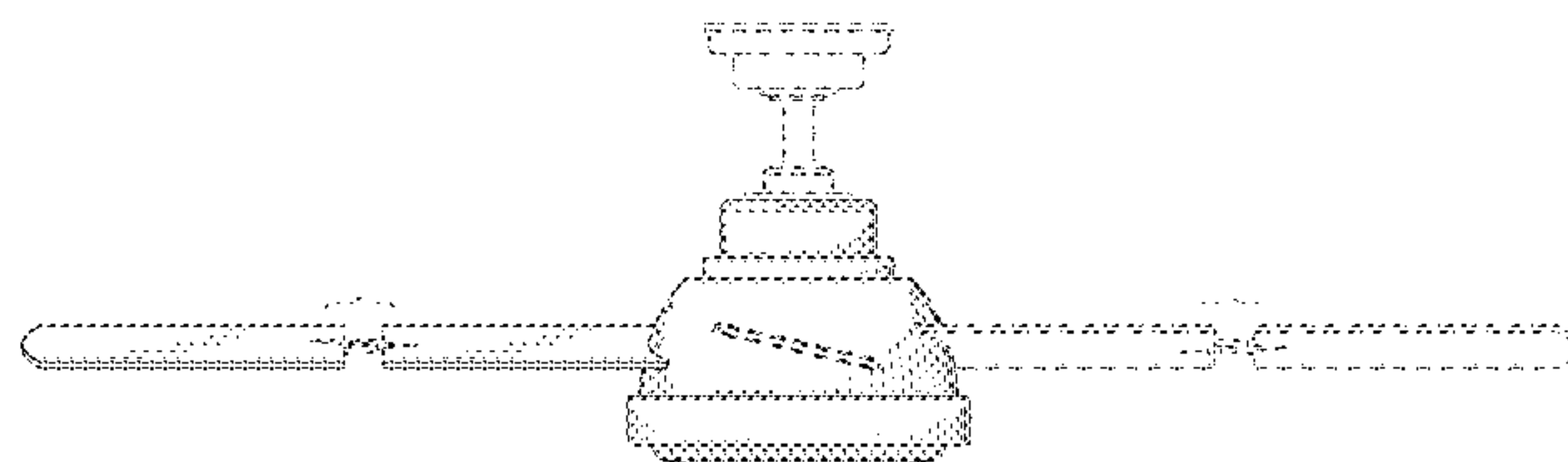
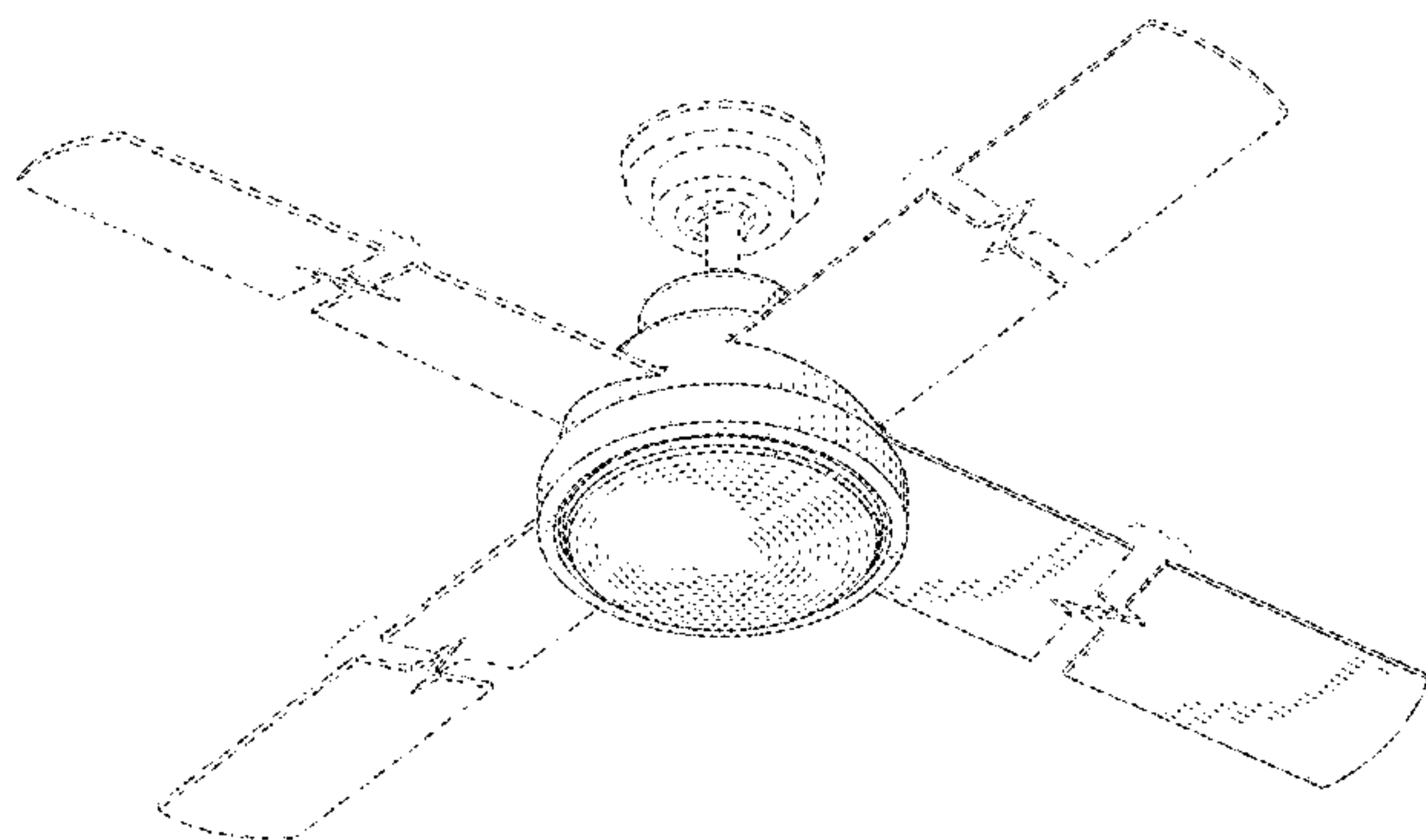
(57) **CLAIM**

The ornamental design for a ceiling fan, as shown and described.

DESCRIPTION

FIG. 1 is a top perspective view of a ceiling fan, showing my new design;
FIG. 2 is a bottom perspective view of the ceiling fan of FIG. 1;
FIG. 3 is a top view of the ceiling fan of FIG. 1;
FIG. 4 is a bottom view of the ceiling fan of FIG. 1;
FIG. 5 is a left side view of the ceiling fan of FIG. 1;
FIG. 6 is a rear view of the ceiling fan of FIG. 1;
FIG. 7 is a right side view of the ceiling of FIG. 1; and,
FIG. 8 is a front view of the ceiling fan of FIG. 1.
The blade portion of the ceiling fan is shown with a symbolic break in its length. The appearance of any portion of the article between the break lines forms no part of the claimed design.

1 Claim, 8 Drawing Sheets



(56)

References Cited

OTHER PUBLICATIONS

<https://ceilingfans.emerson.com/shop/en/fan/54-volta-ceiling-fan-fan-p-cf590>, Emerson Volta 54" Ceiling Fan, Model No. cf590, accessed May 3, 2017.

<http://www.menards.com/main/p-1444424537879-c-7487.htm?tid=-5244648551955826367>, Turn of the Century Montego Bay 52" Weathered Copper Transitional Wet-Rated Ceiling Fan, Model No. CP152115, accessed May 3, 2017.

<https://www.menards.com/main/lighting-ceiling-fans/ceiling-fans/indoor-ceiling-fans/turn-of-the-century-reg-taylor-48-espresso-contemporary-led-indoor-ceiling-fan/p-1444433461784-c-7488.htm?tid=2162821745079775849>, Turn of the Century Taylor 48" Espresso, Contemporary, LED Indoor Ceiling Fan, Model No. 20554, accessed May 3, 2017.

<http://www.minkagroup.net/products/f753-bnw>, Minka Java, 54" Ceiling Fan in Brushed Nickel Wet Finish with 3 pc Blades in Silver, Model No. F753-BNW, accessed May 3, 2017.

http://www.cens.com/cens/html/en/product/product_main_77133.html, Air Cool Industrial Co., Ltd. Phoenix-Contemporary Series, Model No. F527, accessed May 3, 2017.

http://www.cens.com/cens/html/en/product/product_main_77128.html, Air Cool Industrial Co., Ltd. Orion-Contemporary Series, Model No. YG-238, accessed May 3, 2017.

<http://www.minkagroup.net/minka-aire/fans>, Minka Concept I, 52" 3-Blades LED Ceiling Fan in Oil Rubbed Bronze Finish with Taupe Blades w/White Opal Glass, Model No. F517L-ORB, accessed Jan. 31, 2018.

<https://www.craftmade.com/montreal-mn44>, Craftmade, Montreal Ceiling Fan with Blades included, Model No. MN44, accessed May 3, 2017.

[https://www.lowes.com/pd/Harbor-Breeze-Ocean-Grove-52-in-Oil-Rubbed-Bronze-Downrod-or-Close-Mount-Indoor-Ceiling-Fan-with-](https://www.lowes.com/pd/Harbor-Breeze-Ocean-Grove-52-in-Oil-Rubbed-Bronze-Downrod-or-Close-Mount-Indoor-Ceiling-Fan-with-Light-Kit-and-Remote/1000124929)

[Light-Kit-and-Remote/1000124929](https://www.lowes.com/pd/Harbor-Breeze-Ocean-Grove-52-in-Oil-Rubbed-Bronze-Downrod-or-Close-Mount-Indoor-Ceiling-Fan-with-Light-Kit-and-Remote/1000124929), Harbor Breeze Ocean Grove 52-in Oil Rubbed Bronze Downrod or Close Mount Indoor Ceiling Fan with Light Kit and Remote, Model No. 40667, accessed May 3, 2017.

<http://www.fanimation.com/products/index.php/fans/coop.html>, Fanimation Coop Ceiling Fan with Blades included, accessed May 3, 2017.

<http://www.fanimation.com/products/index.php/fans/berlin.html>, Fanimation Berlin Ceiling Fan, Model No. LP8064, accessed May 3, 2017.

<http://www.hunterfan.com/Ceiling-Fans/Sentinel?ModelNumber=59210>, Hunter Fan, Sentinel 52" Ceiling Fan, Model No. 59210 Premier Bronze Finish, accessed May 3, 2017.

<http://www.kichler.com/products/product/52-inch-vassar-led-fan-oz-330002oz.aspx>, Kichler Vassar Collection, 52 Inch Vassar LED Fan OZ, Model No. 330002OZ, accessed May 3, 2017.

<http://www.homedepot.com/p/GE-Treviso-52-in-Oil-Rubbed-Bronze-Indoor-LED-Ceiling-Fan-20321/206087472>, GE Treviso 52 in. Oil Rubbed Bronze Indoor LED Ceiling Fan, Model No. 20321, accessed May 3, 2017.

<http://www.homedepot.com/p/Hampton-Bay-Marlton-52-in-Oil-Rubbed-Bronze-Ceiling-Fan-YG305-ORB/202549795>, Hampton Bay, Marlton 52 in. Oil-Rubbed Bronze Ceiling Fan, Model No. YG305-ORB, accessed May 3, 2017.

<http://www.hunterfan.com/Ceiling-Fans/Dempsey-with-Light?ModelNumber=59246>, Hunter Fan, Dempsey with Light, 44" Ceiling Fan, Model No. 59245 Brushed Nickel Finish, accessed May 3, 2017.

<http://www.casablancafanco.com/Ceiling-Fans/Isotope-Small-Room?ModelNumber=59020>, Casablanca Isotope 44" Ceiling Fan, Model No. 59020, accessed May 3, 2017.

<http://www.hunterfan.com/Ceiling-Fans/Avia?ModelNumber=59234>, Hunter Fan, Avia 54" Ceiling Fan, Model No. 59234 Brushed Nickel Finish, accessed May 3, 2017.

* cited by examiner

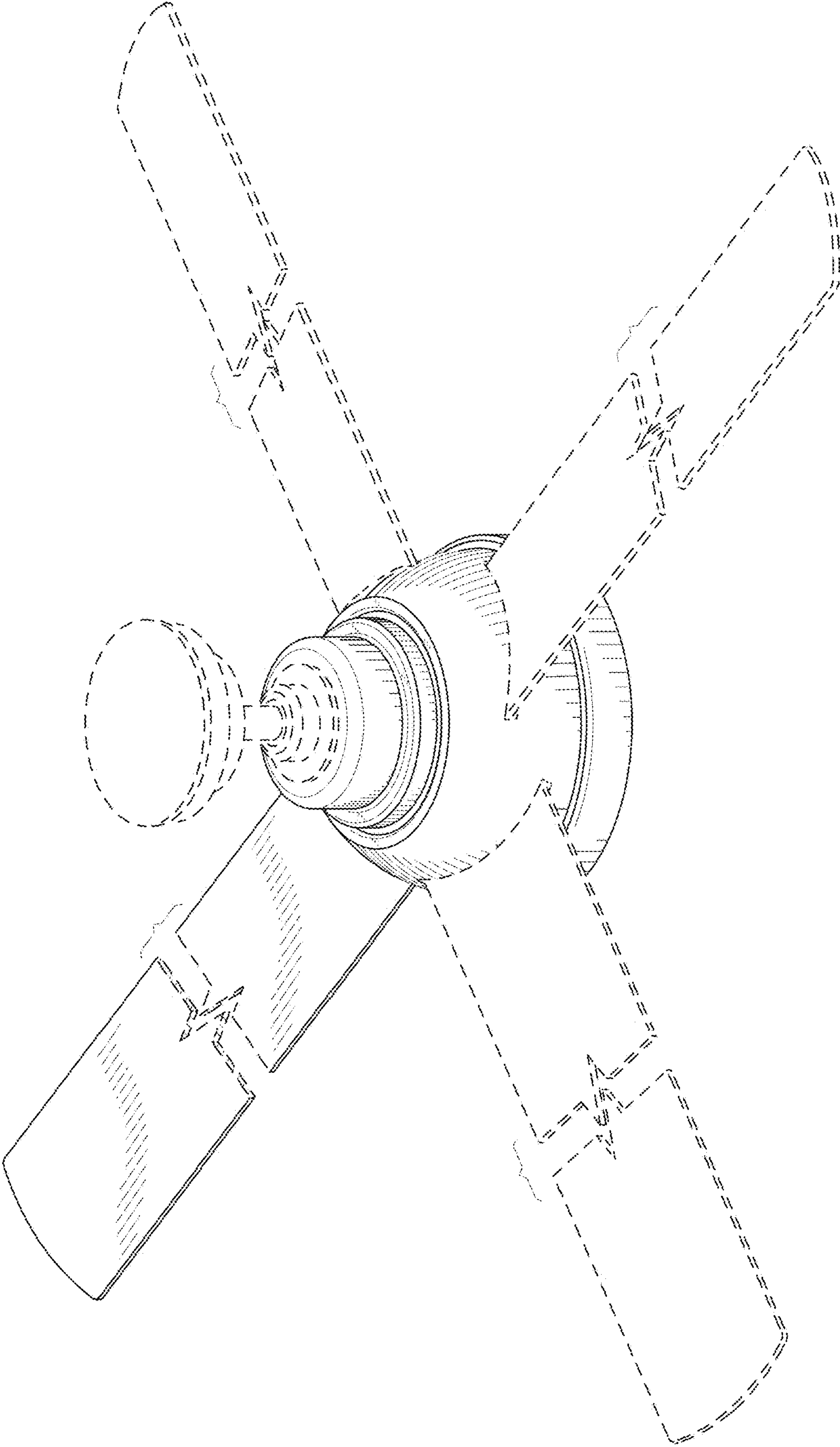


FIG.1

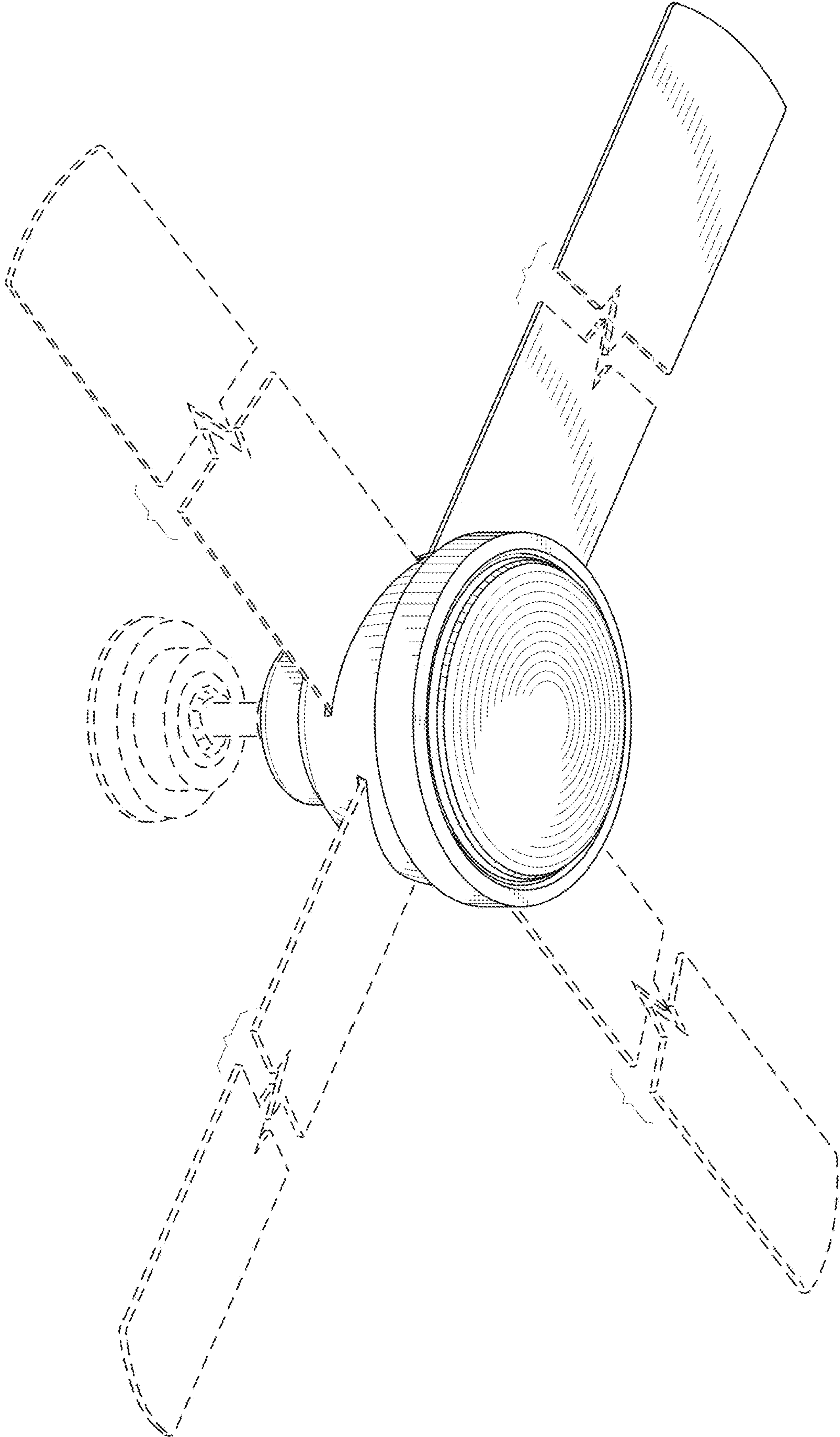


FIG.2

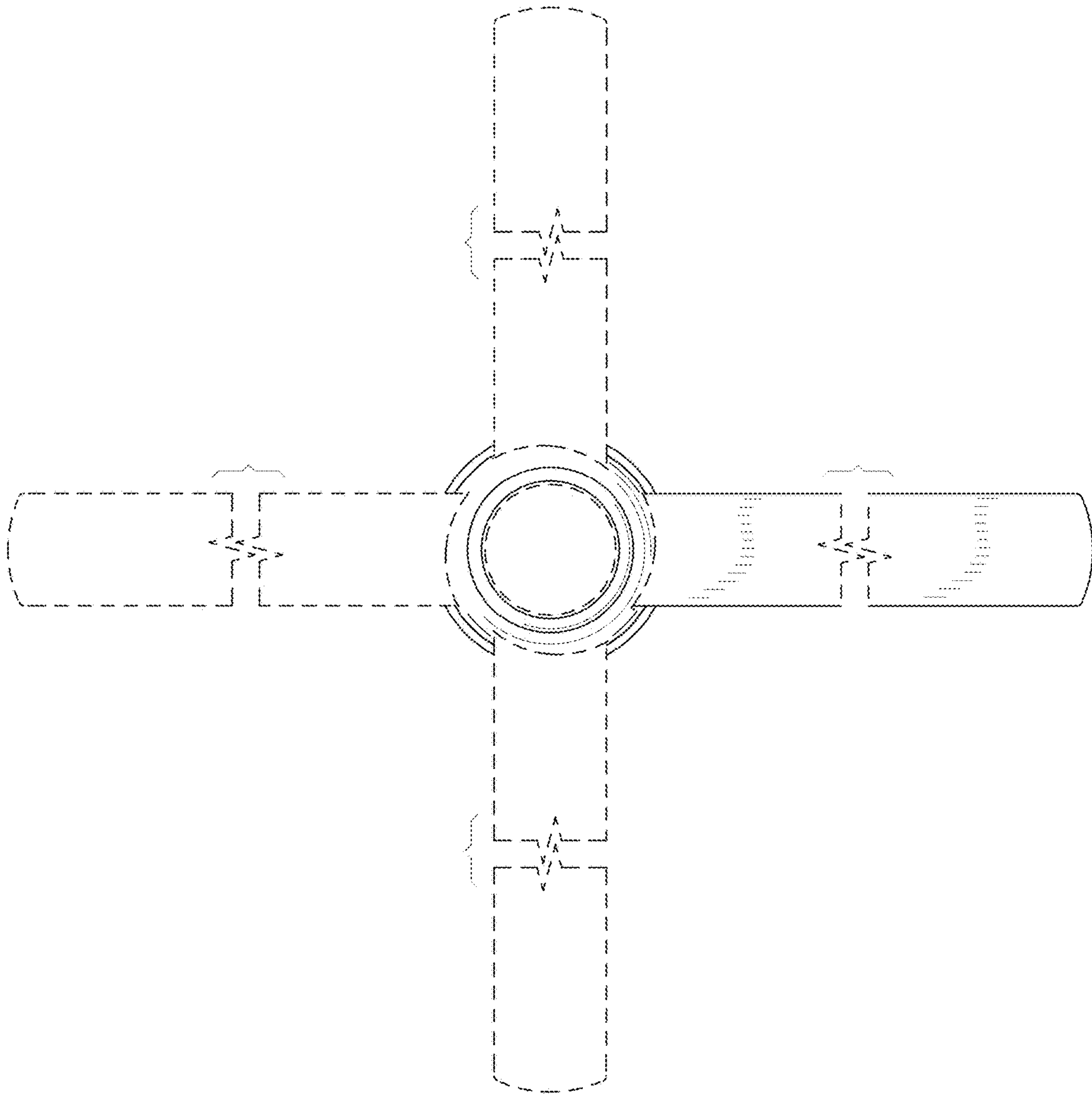


FIG. 3

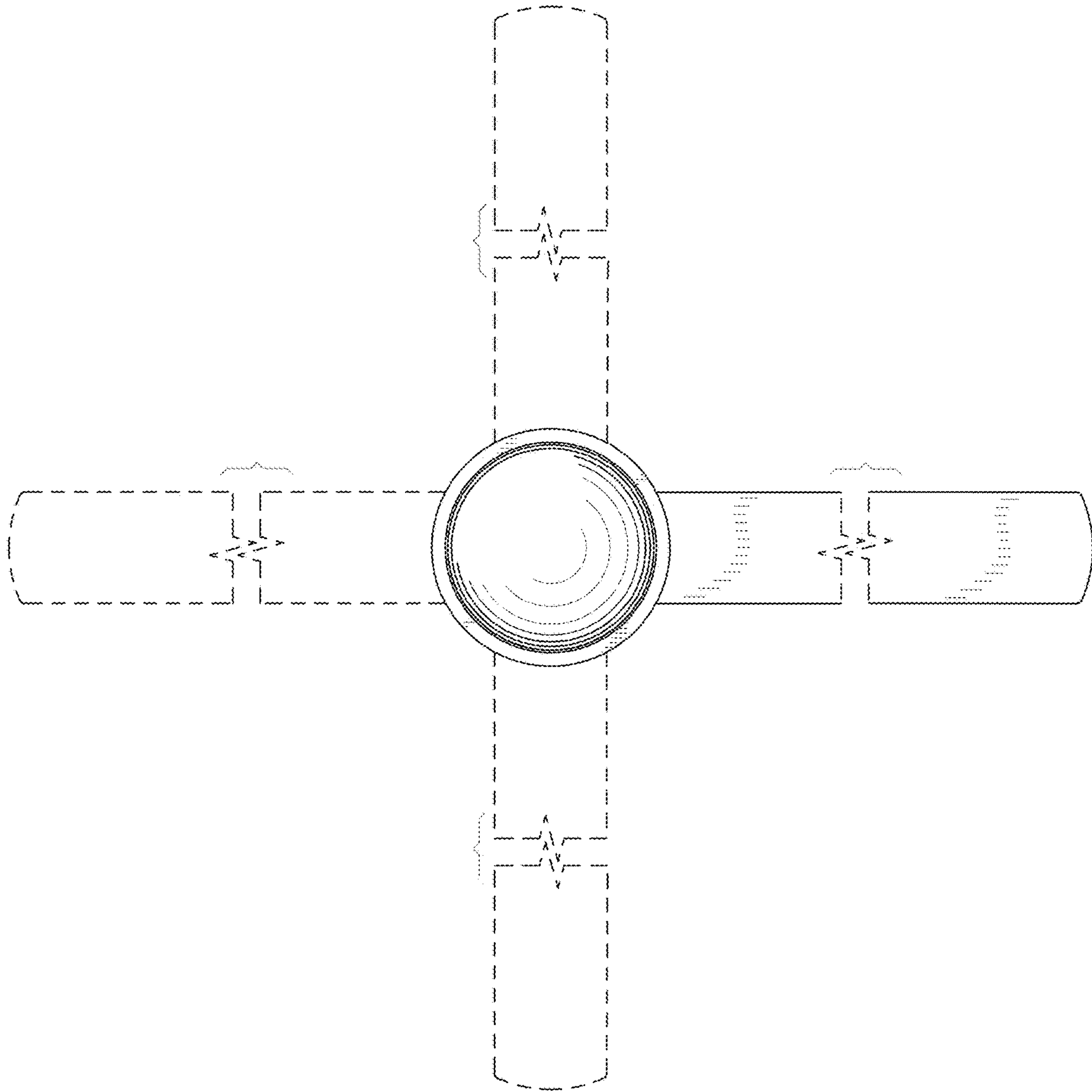


FIG.4

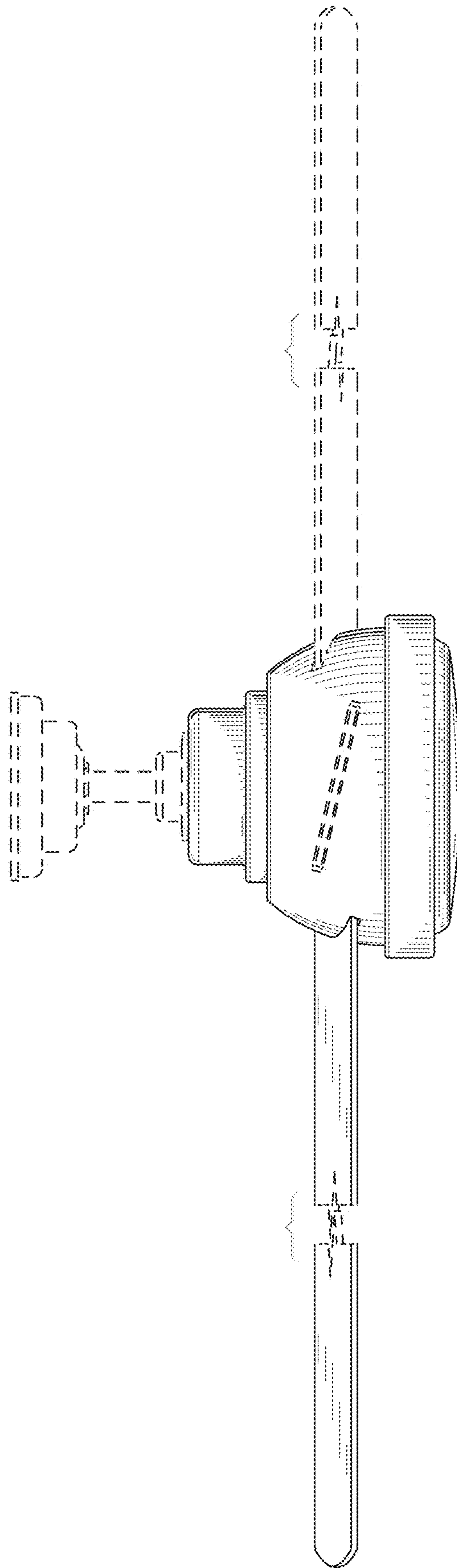


FIG. 5

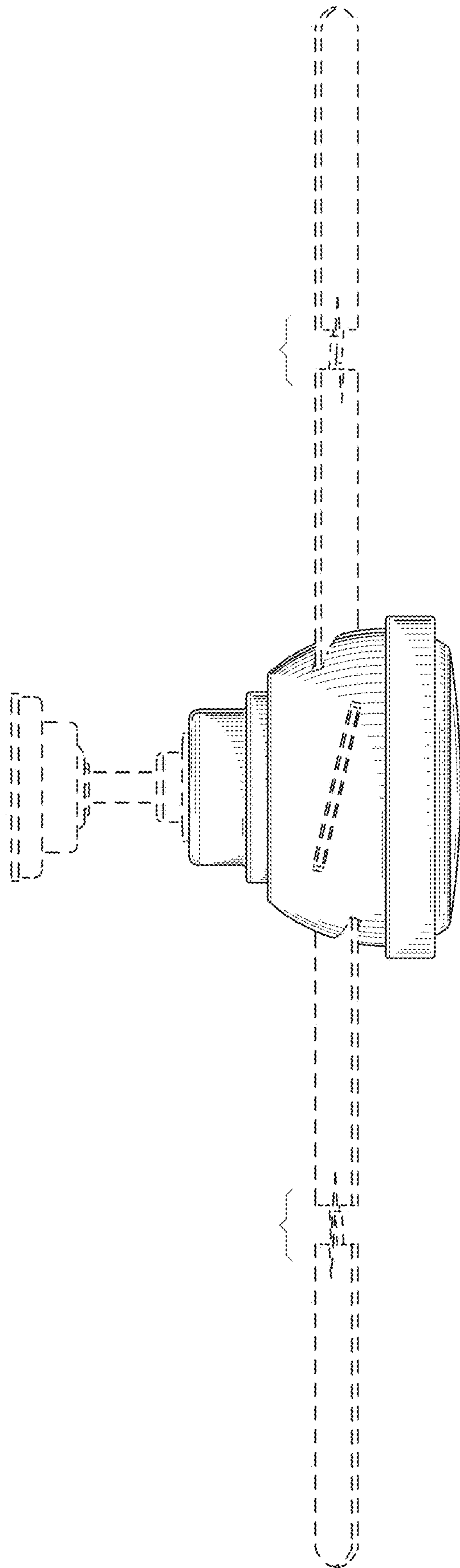


FIG.6

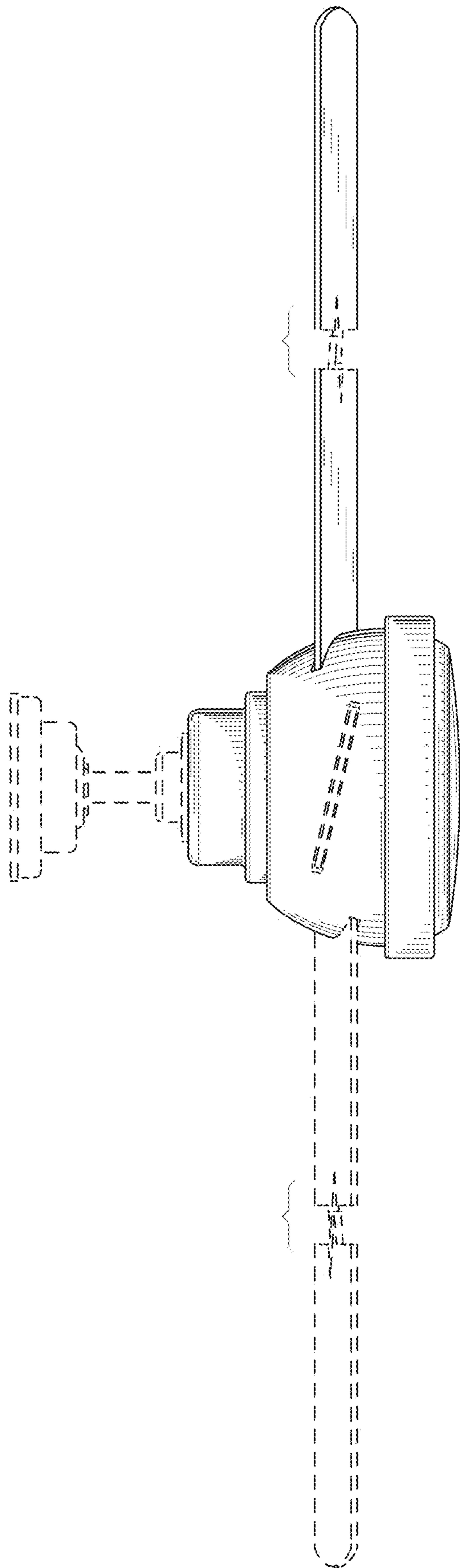


FIG. 7

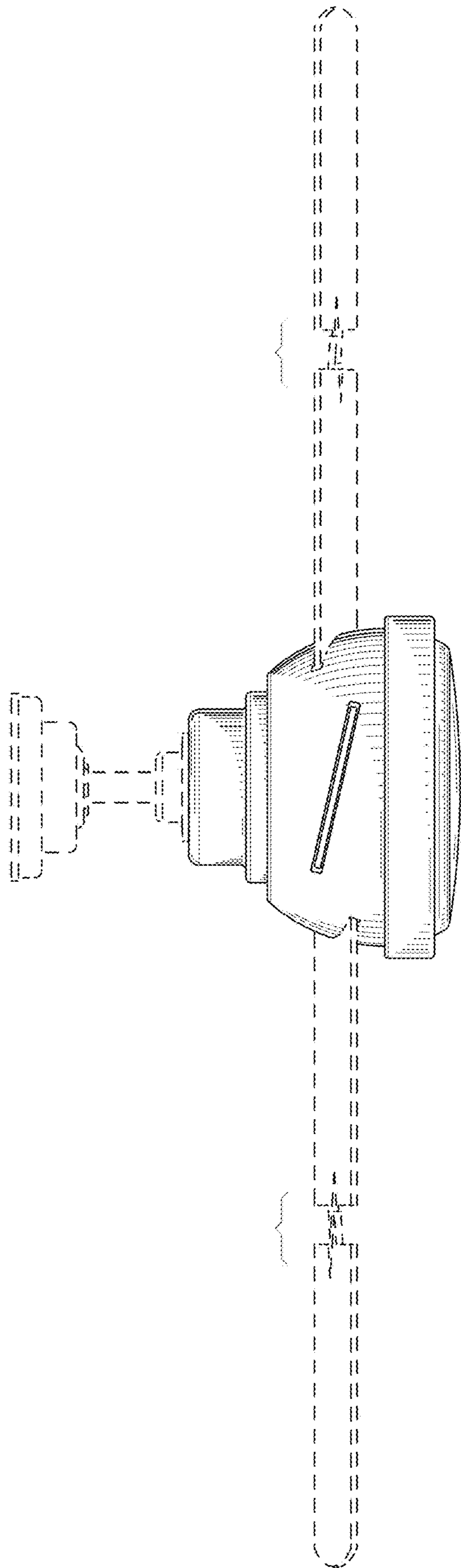


FIG.8