



US00D882742S

(12) **United States Design Patent**  
**Otsuka et al.**

(10) **Patent No.:** **US D882,742 S**  
(45) **Date of Patent:** **\*\* Apr. 28, 2020**

(54) **WATER CLOSET**

(71) Applicant: **TOTO, Ltd.**, Kitakyushu-shi, Fukuoka (JP)

(72) Inventors: **Kazuki Otsuka**, Kitakyushu (JP);  
**Minoru Tani**, Kitakyushu (JP);  
**Masafumi Ishikawa**, Kitakyushu (JP)

(73) Assignee: **TOTO, Ltd.**, Kitakyushu-shi, Fukuoka (JP)

(\*\*) Term: **15 Years**

(21) Appl. No.: **29/683,997**

(22) Filed: **Mar. 18, 2019**

(30) **Foreign Application Priority Data**

Dec. 20, 2018 (JP) ..... 2018-027828  
Dec. 20, 2018 (JP) ..... 2018-027830

(51) **LOC (12) Cl.** ..... **23-02**

(52) **U.S. Cl.**  
USPC ..... **D23/309**

(58) **Field of Classification Search**

USPC ..... D23/295, 301, 309, 313  
CPC .. E03D 1/00; E03D 1/01; E03D 1/012; E03D  
1/04; E03D 1/06; E03D 1/08; E03D 1/28;  
E03D 1/13; E03D 2201/30; E03D 11/08;  
E03D 11/18; E03D 13/00; D03D 5/10;  
A47K 11/00

See application file for complete search history.

(56) **References Cited**

**U.S. PATENT DOCUMENTS**

5,515,556 A \* 5/1996 Johnson ..... E03D 5/00  
4/421  
7,020,908 B2 \* 4/2006 Kuru ..... E03D 11/02  
4/420

D658,278 S \* 4/2012 Wang ..... D23/295  
9,732,507 B2 \* 8/2017 Bucher ..... E03D 11/14

\* cited by examiner

*Primary Examiner* — Robert A Delehanty

(74) *Attorney, Agent, or Firm* — Banner & Witcoff, Ltd.

(57) **CLAIM**

The ornamental design for a water closet, as shown and described.

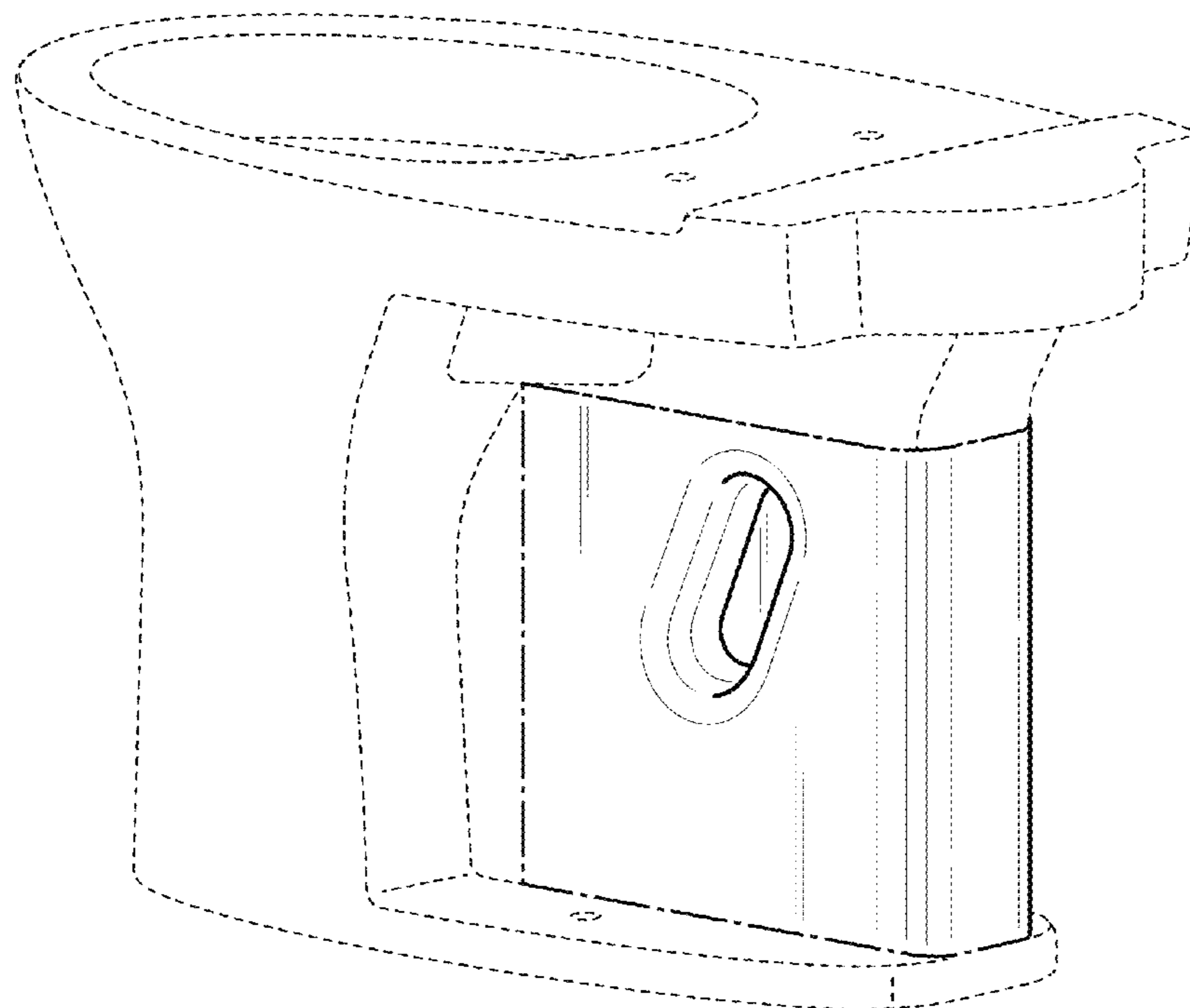
**DESCRIPTION**

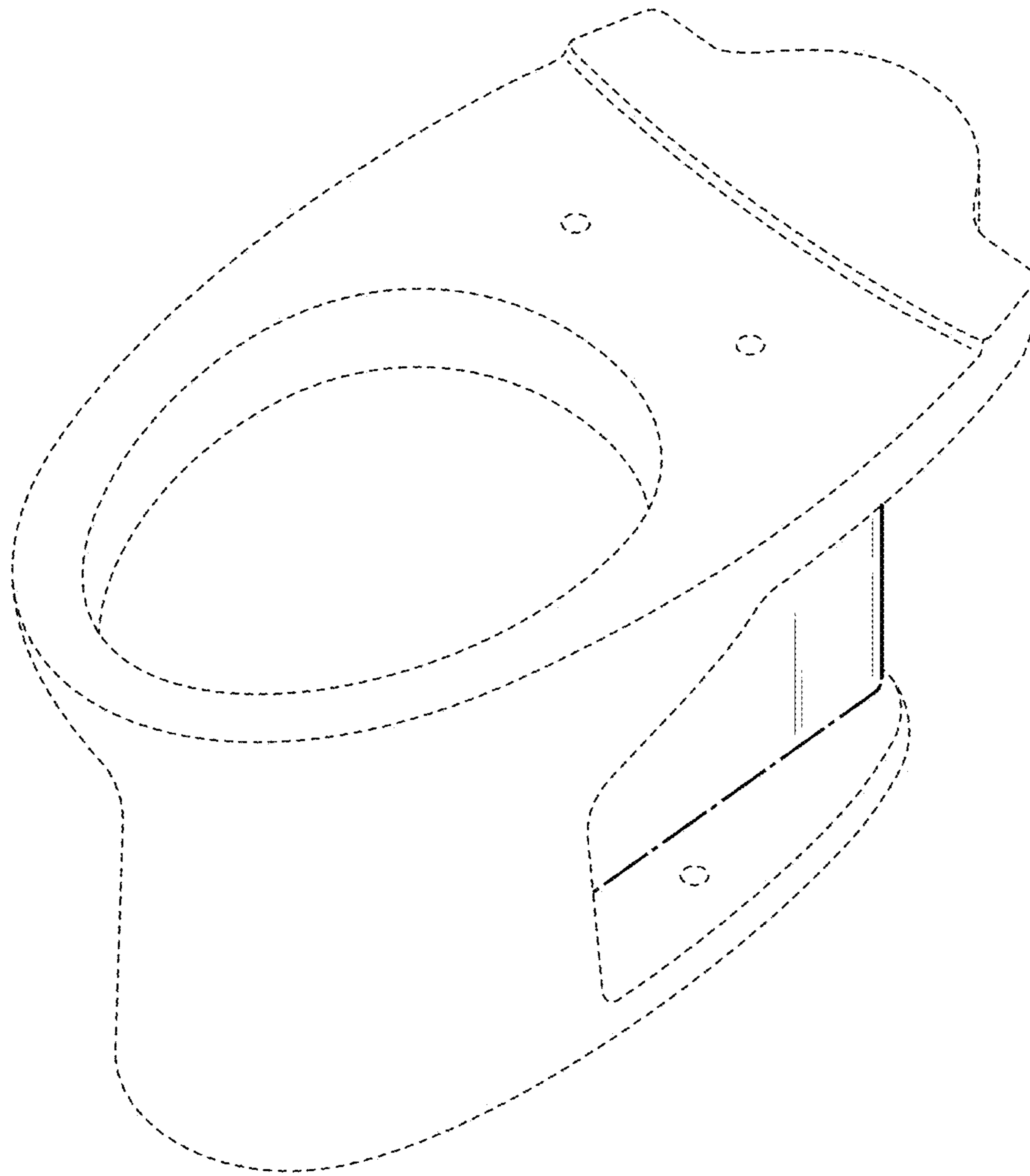
FIG. 1 is a top, right, front, perspective view of a water closet showing our new design;  
FIG. 2 is a top, right, rear, perspective view thereof;  
FIG. 3 is a top, left, rear, perspective view thereof;  
FIG. 4 is a front view thereof;  
FIG. 5 is a rear view thereof;  
FIG. 6 is a left side view thereof;  
FIG. 7 is a right side view thereof;  
FIG. 8 is a top view thereof; and,  
FIG. 9 is a bottom view thereof.

The broken lines shown in the figures are included for the purpose of illustrating portions of the water closet that form no part of the claimed design.

The dash-dot-dash broken lines shown in the figures represent an unclaimed boundary between claimed and unclaimed subject matter.

**1 Claim, 7 Drawing Sheets**





**FIG. 1**

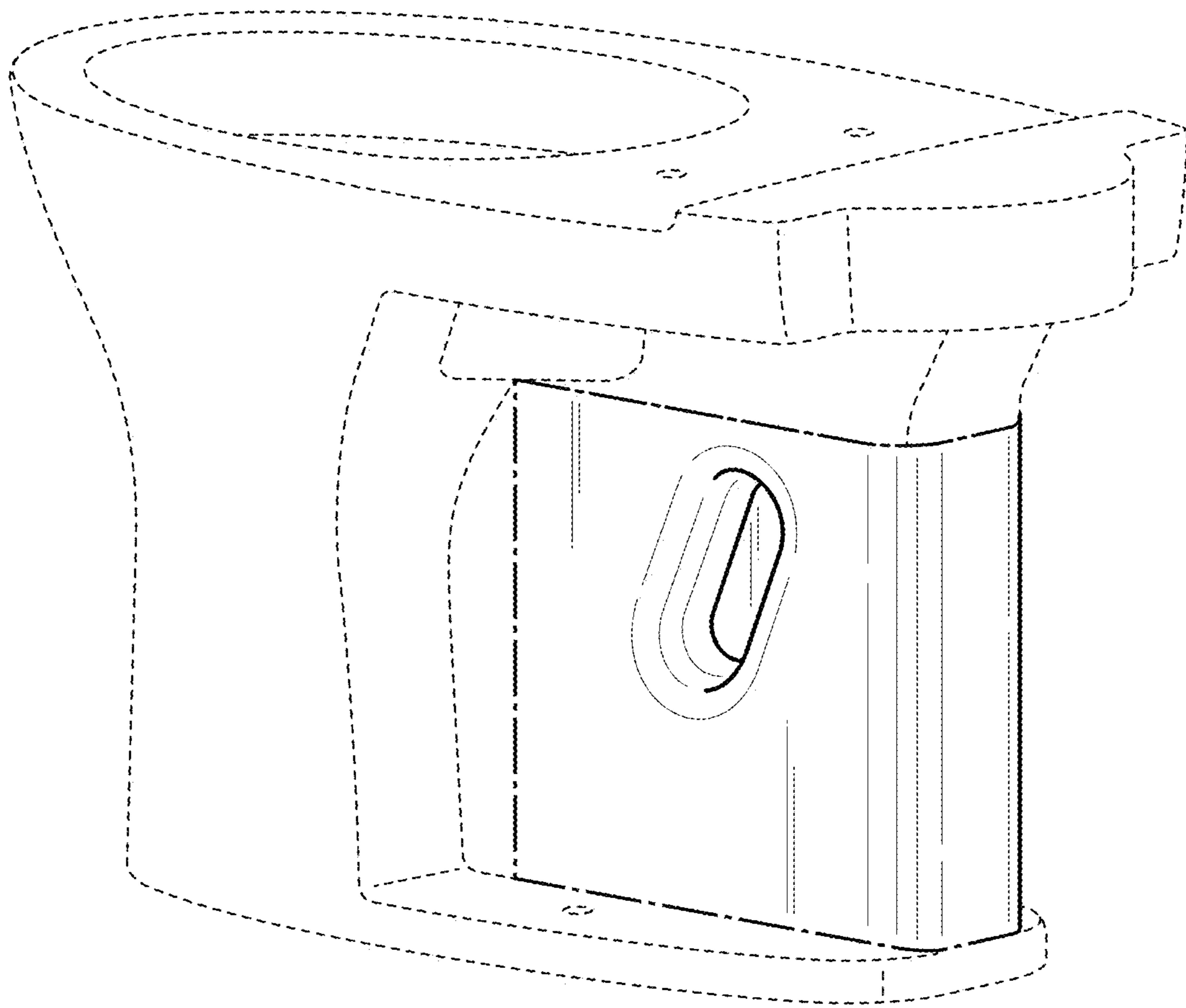


FIG. 2

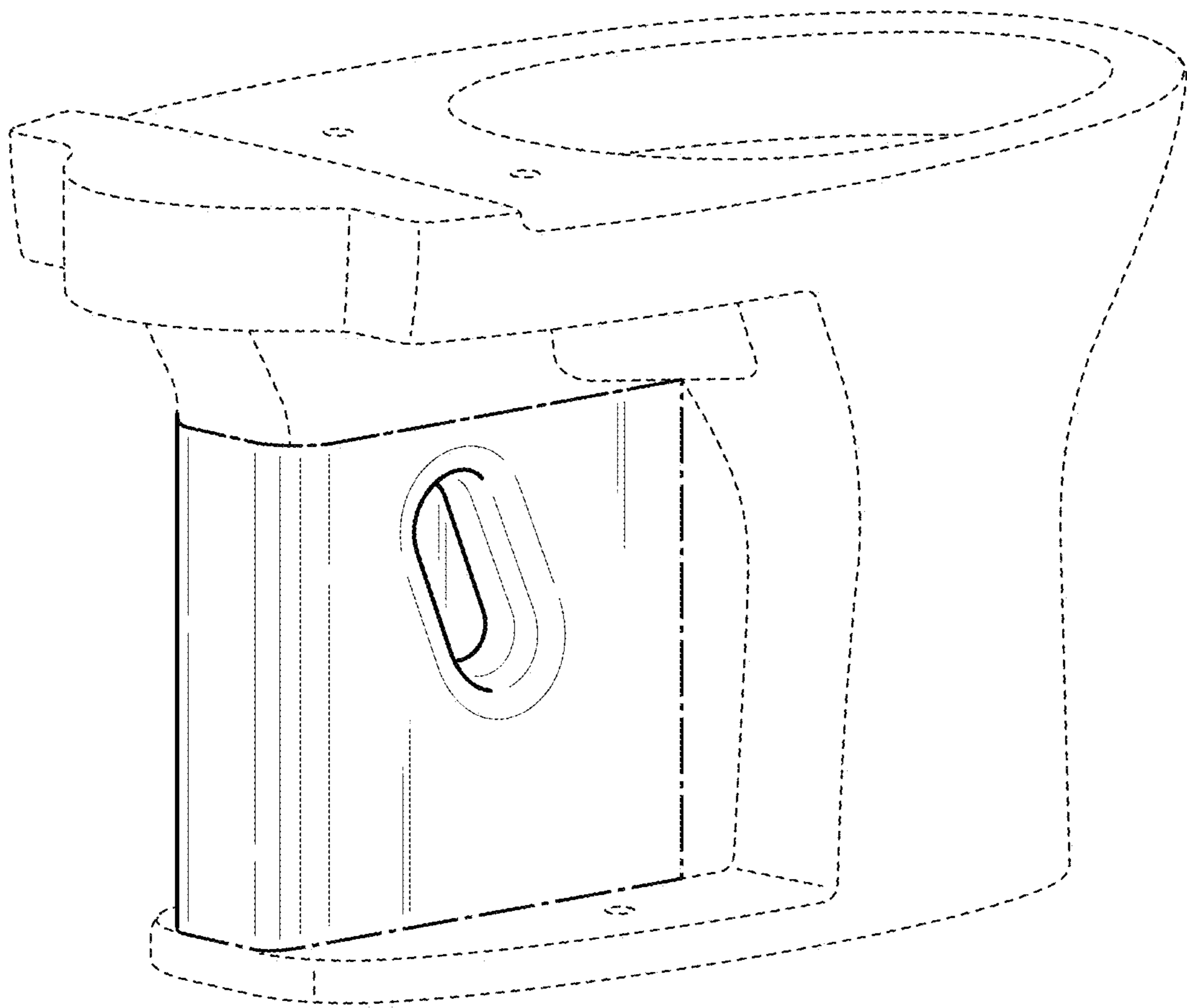
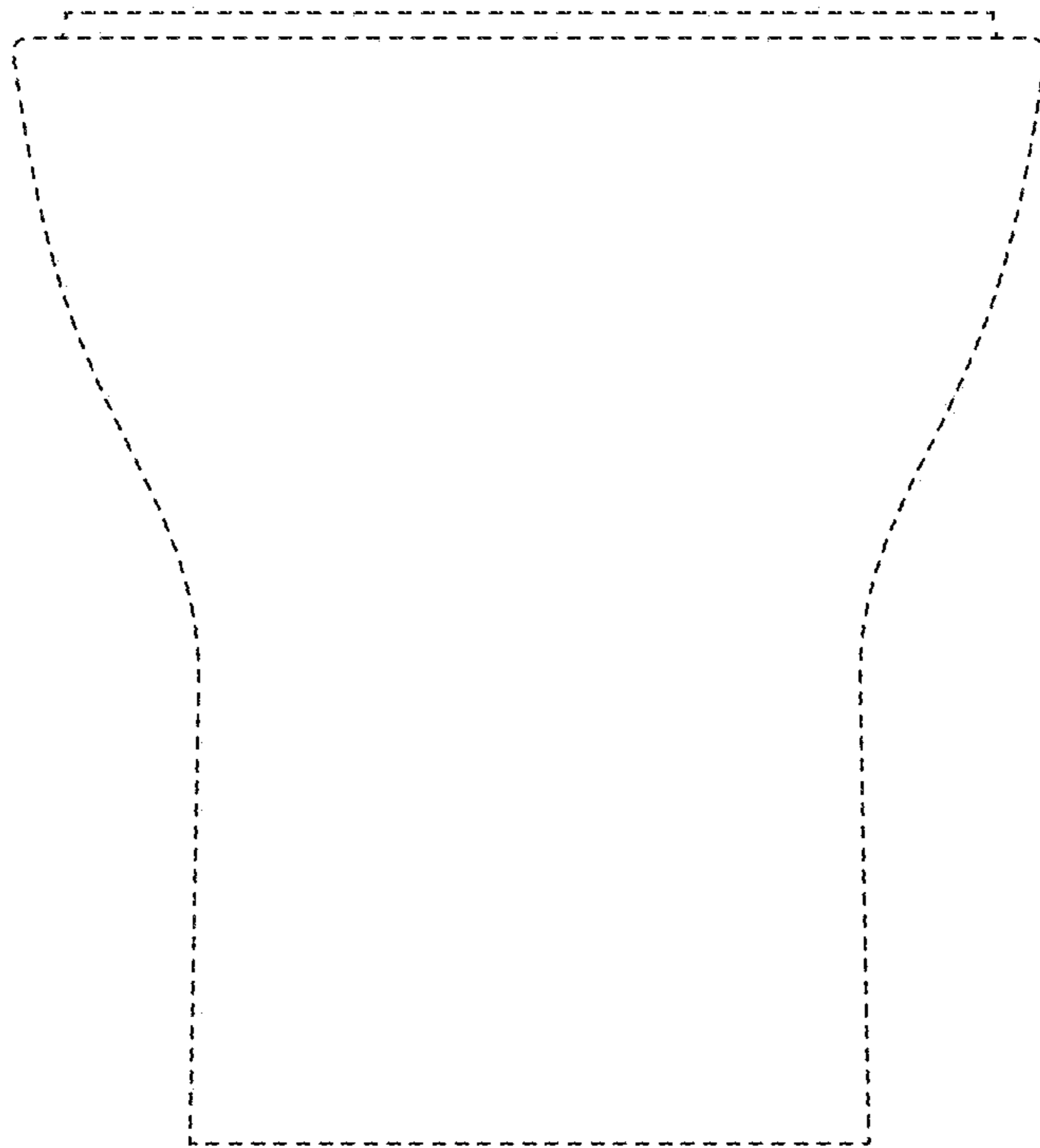
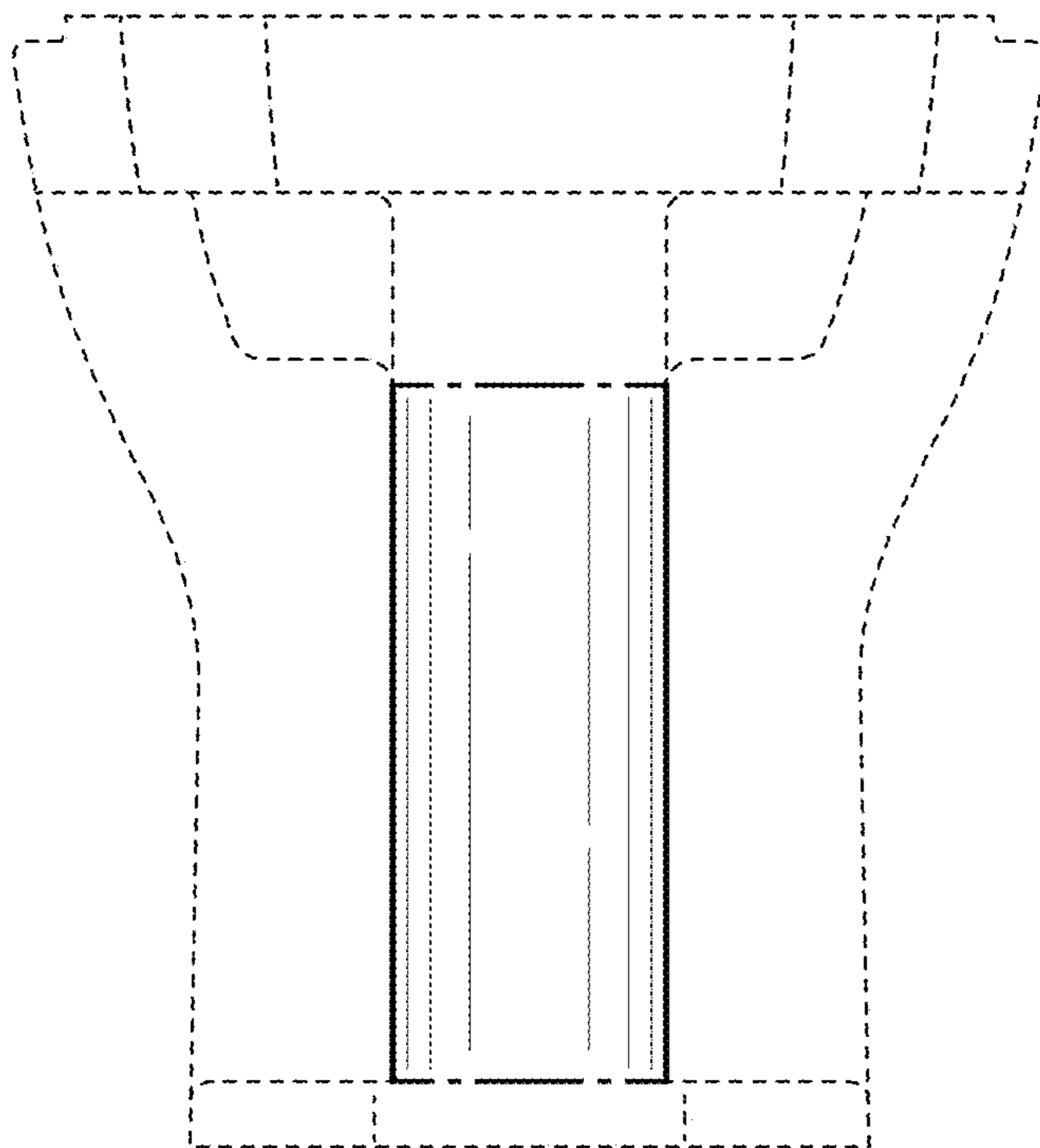


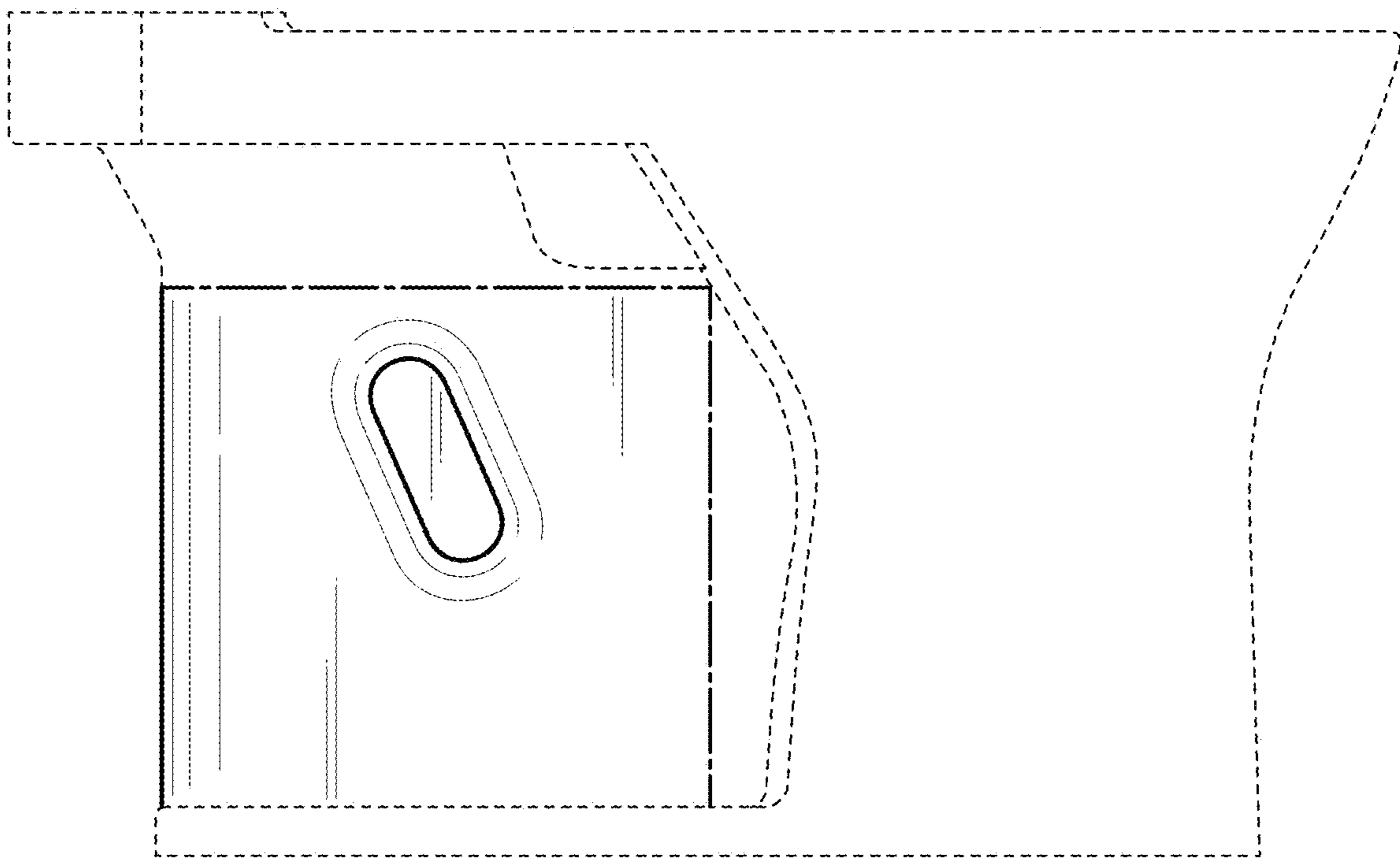
FIG. 3



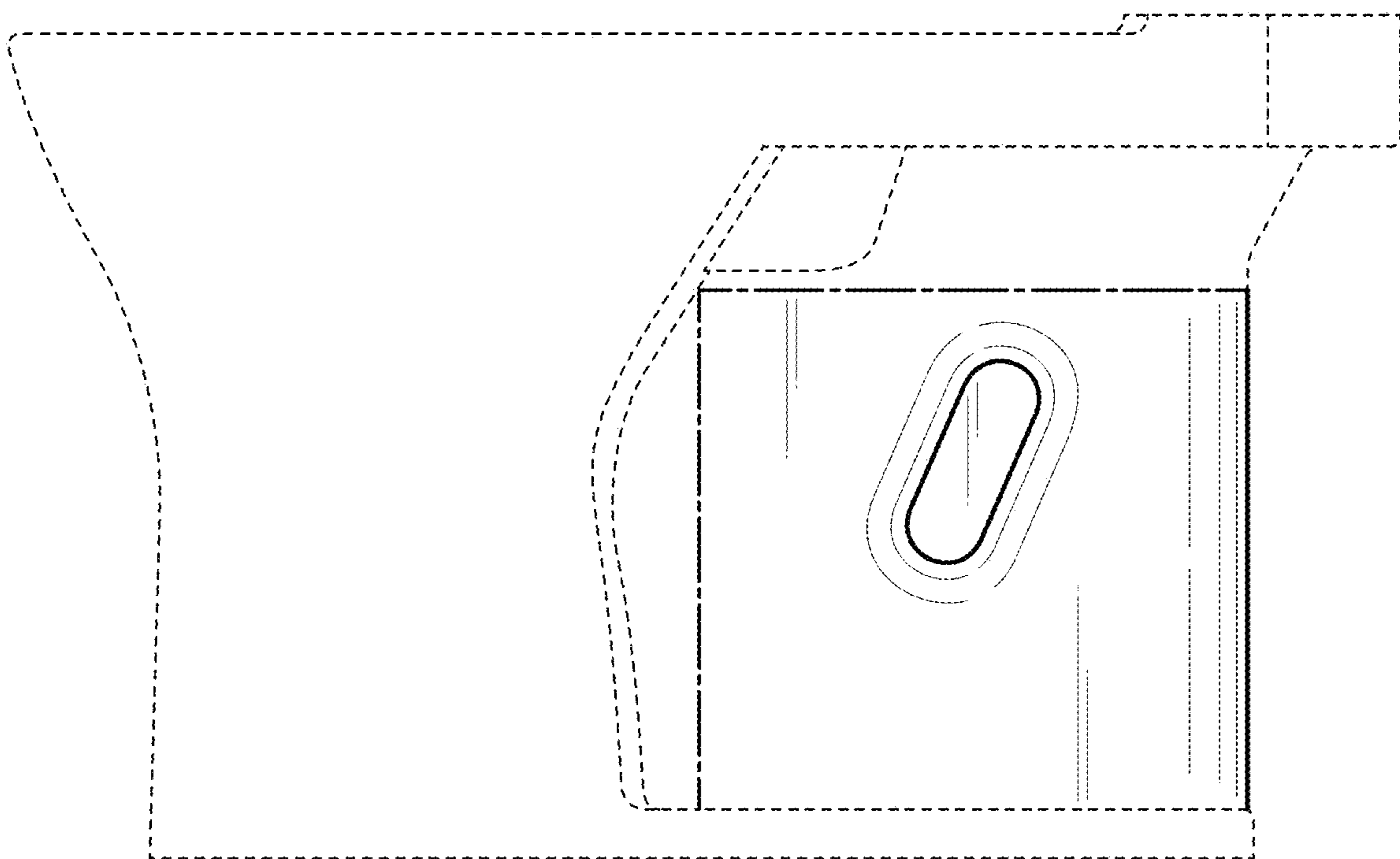
*FIG. 4*



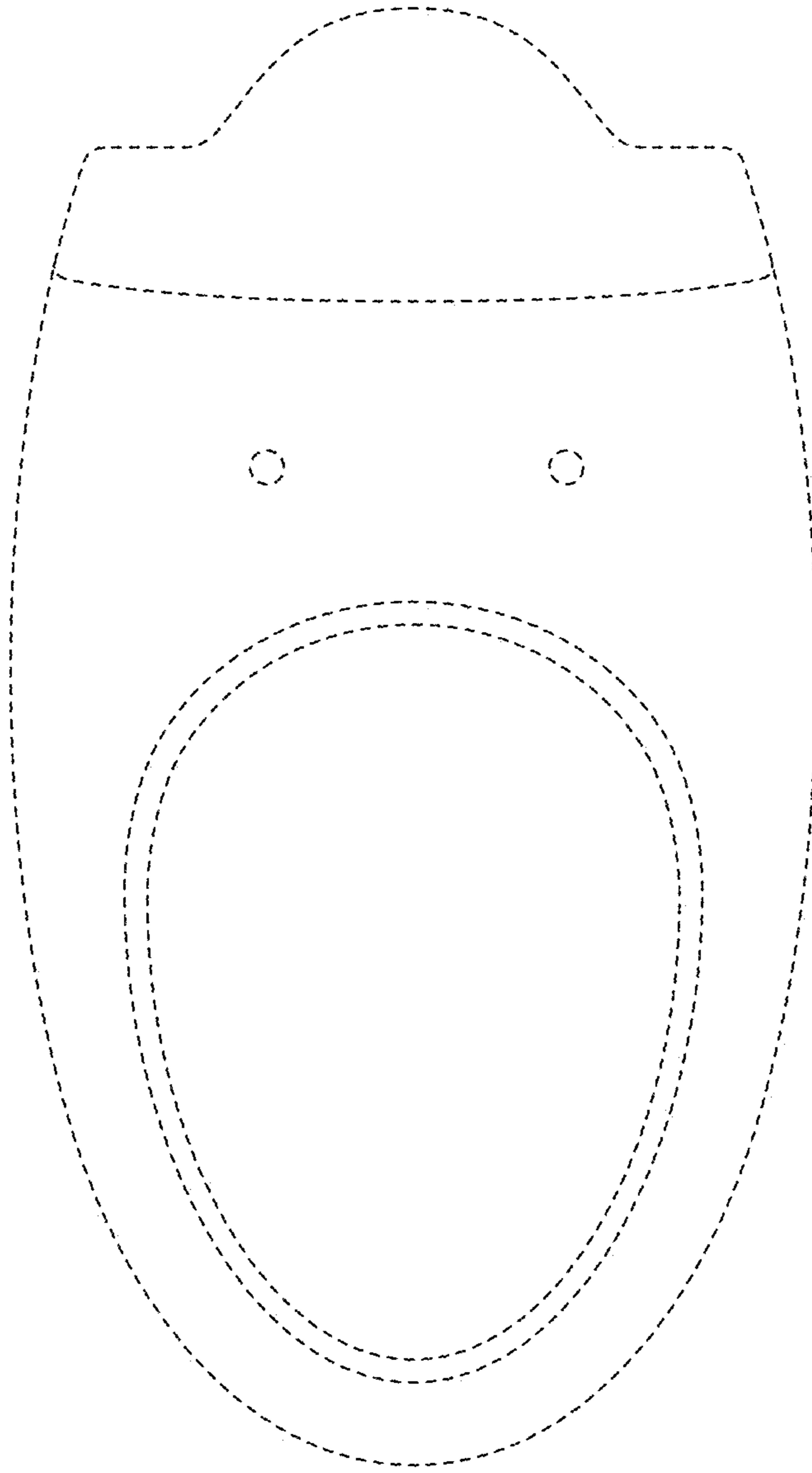
*FIG. 5*



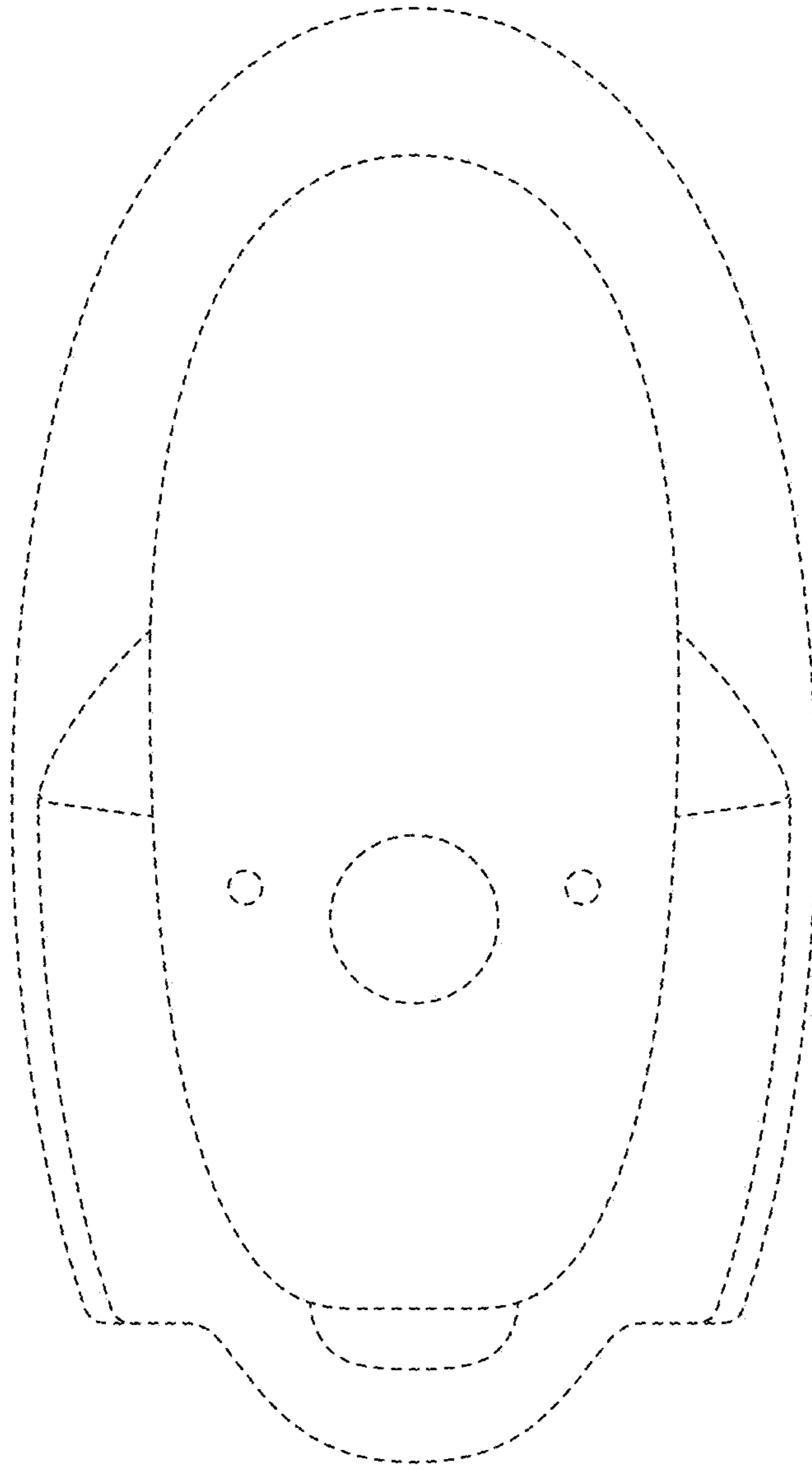
*FIG. 6*



*FIG. 7*



*FIG. 8*



**FIG. 9**