



US00D882741S

(12) **United States Design Patent** (10) **Patent No.:** **US D882,741 S**
Otsuka et al. (45) **Date of Patent:** **** Apr. 28, 2020**

(54) **WATER CLOSET**

D432,218 S * 10/2000 Kawamura D23/309
D502,765 S * 3/2005 Bucher D23/301
D712,529 S * 9/2014 Bucher D23/309

(71) Applicant: **TOTO, Ltd.**, Kitakyushu-shi, Fukuoka (JP)

* cited by examiner

(72) Inventors: **Kazuki Otsuka**, Kitakyushu (JP);
Minoru Tani, Kitakyushu (JP);
Masafumi Ishikawa, Kitakyushu (JP)

Primary Examiner — Robert A Delehanty

(74) *Attorney, Agent, or Firm* — Banner & Witcoff, Ltd.

(73) Assignee: **TOTO, Ltd.**, Kitakyushu-shi, Fukuoka (JP)

(**) Term: **15 Years**

(57) **CLAIM**

The ornamental design for a water closet, as shown and described.

(21) Appl. No.: **29/683,987**

(22) Filed: **Mar. 18, 2019**

DESCRIPTION

(30) **Foreign Application Priority Data**

Dec. 20, 2018 (JP) 2018-027824
Dec. 20, 2018 (JP) 2018-027826

(51) **LOC (12) Cl.** **23-02**

(52) **U.S. Cl.**
USPC **D23/309**

(58) **Field of Classification Search**
USPC D23/295, 301, 309, 313
CPC .. E03D 1/00; E03D 1/01; E03D 1/012; E03D
1/04; E03D 1/06; E03D 1/08; E03D 1/28;
E03D 1/13; E03D 2201/30; E03D 11/08;
E03D 11/18; E03D 13/00; D03D 5/10;
A47K 11/00

See application file for complete search history.

FIG. 1 is a top, right, front, perspective view of a water closet showing our new design;

FIG. 2 is a top, right, rear, perspective view thereof;

FIG. 3 is a top, left, rear, perspective view thereof;

FIG. 4 is a front view thereof;

FIG. 5 is a rear view thereof;

FIG. 6 is a left side view thereof;

FIG. 7 is a right side view thereof;

FIG. 8 is a top view thereof; and,

FIG. 9 is a bottom view thereof.

The broken lines shown in the figures are included for the purpose of illustrating portions of the water closet that form no part of the claimed design.

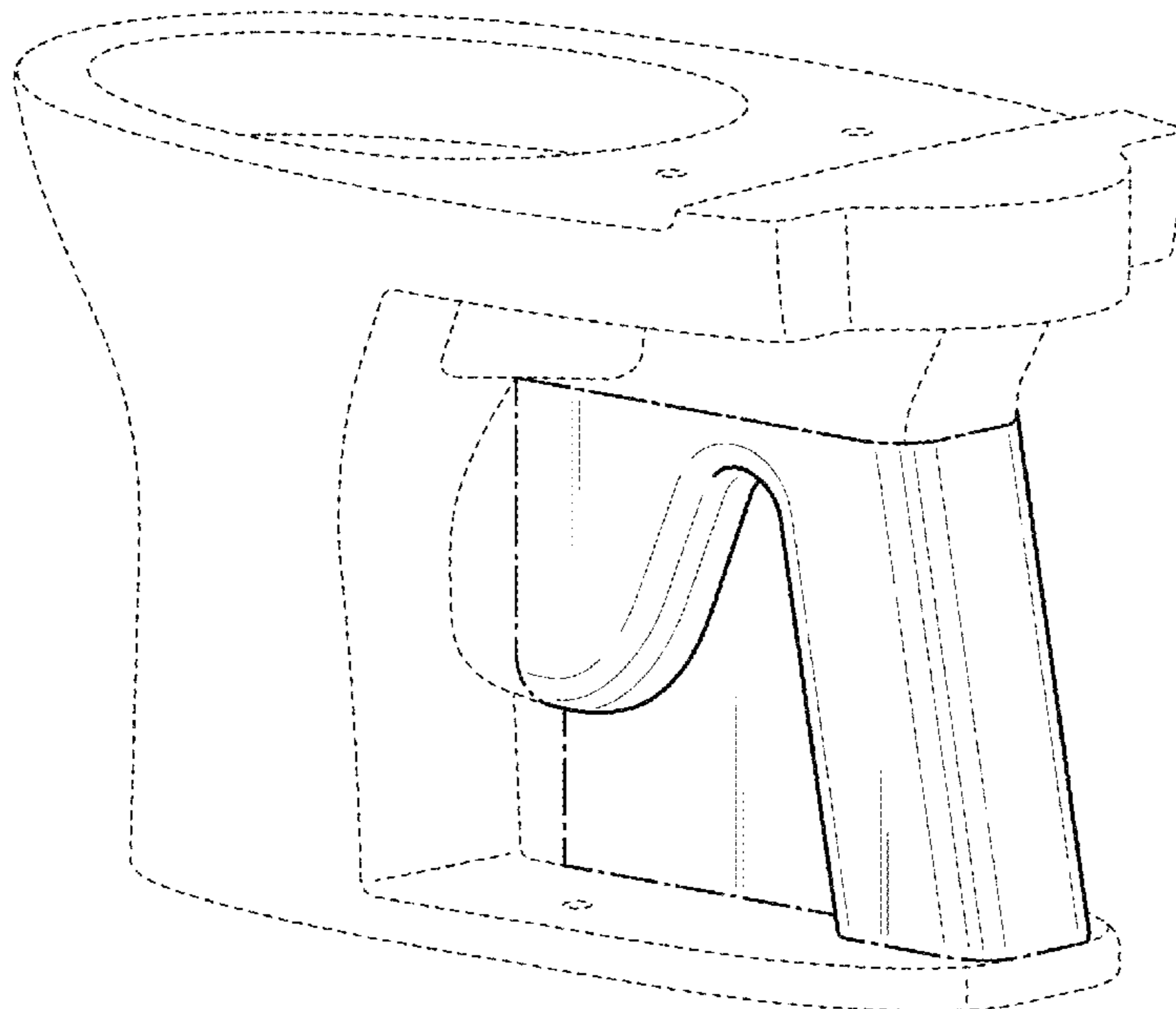
The dash-dot-dash broken lines shown in the figures represent an unclaimed boundary between claimed and unclaimed subject matter.

(56) **References Cited**

U.S. PATENT DOCUMENTS

5,155,870 A * 10/1992 Tsutsui E03D 5/10
4/300
5,579,542 A * 12/1996 Hayman E03D 5/00
4/328

1 Claim, 7 Drawing Sheets



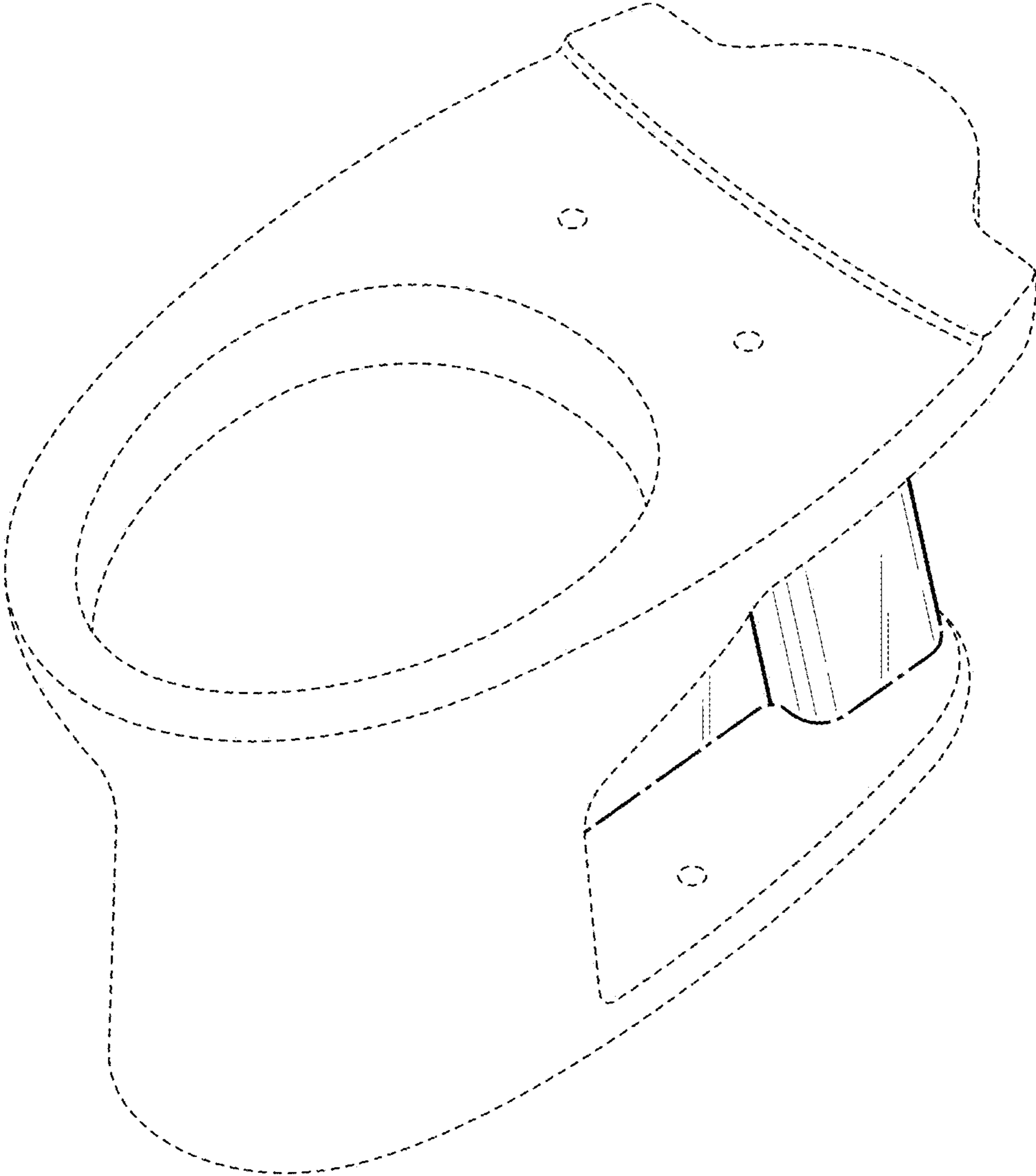


FIG. 1

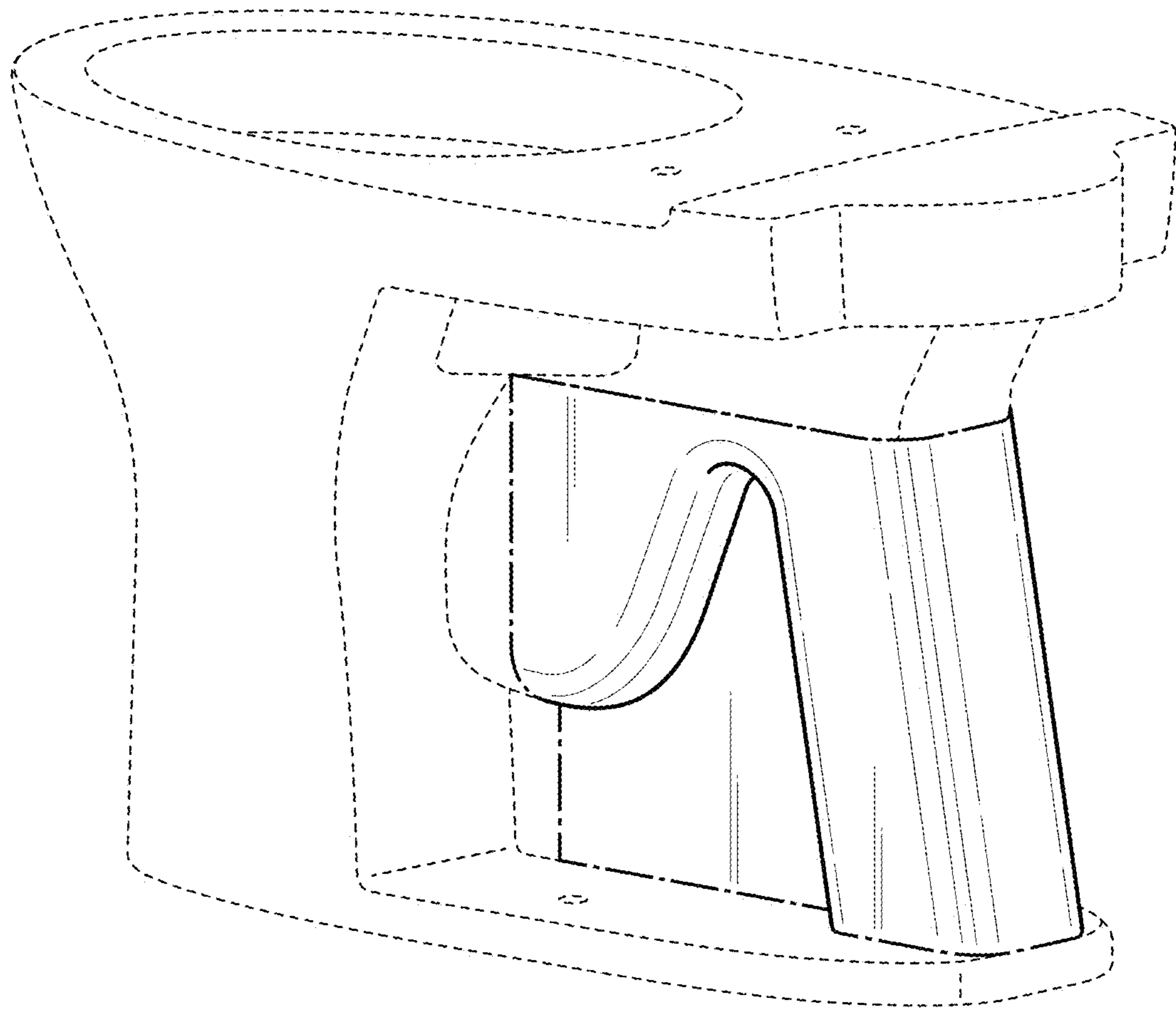


FIG. 2

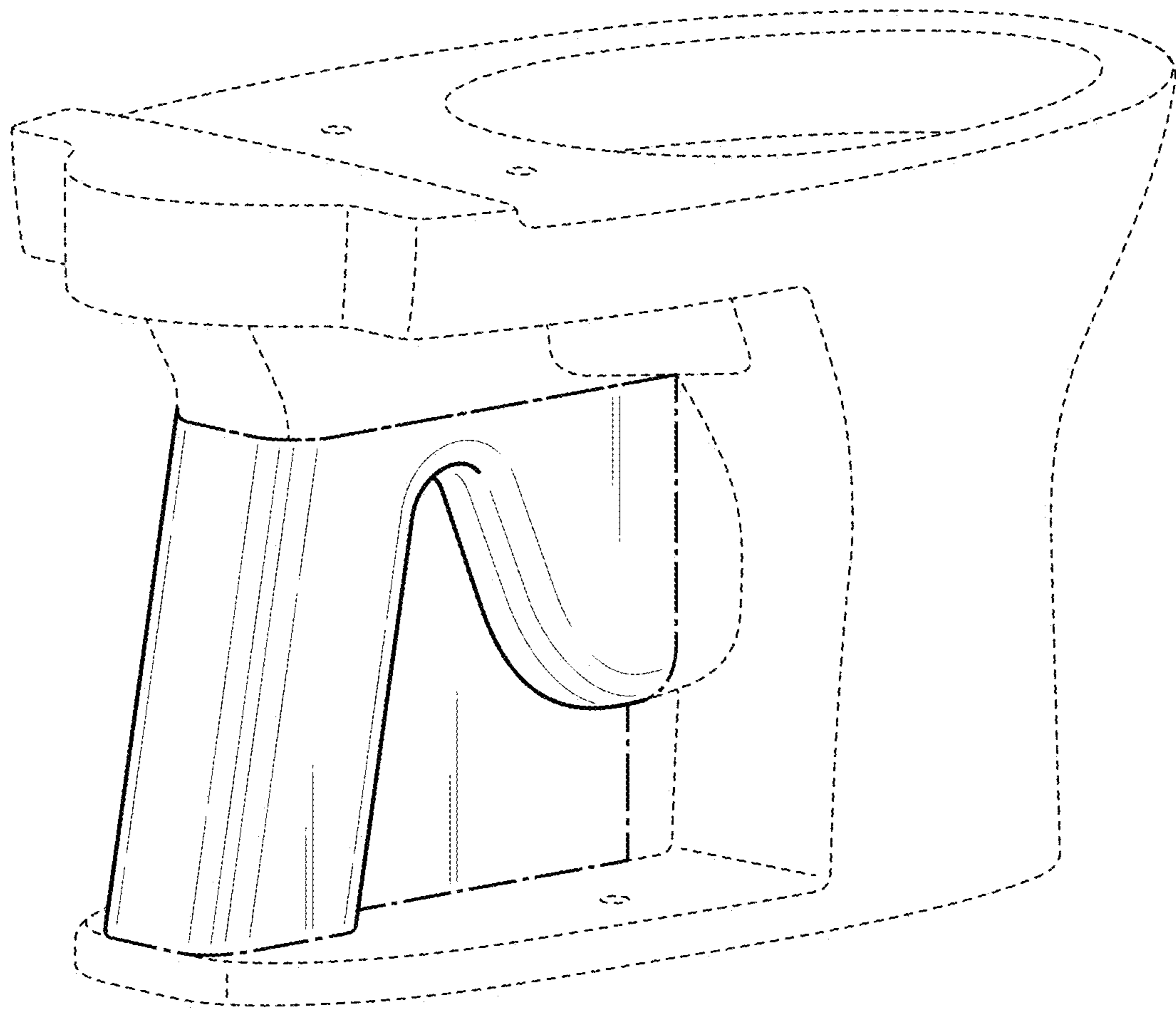


FIG. 3

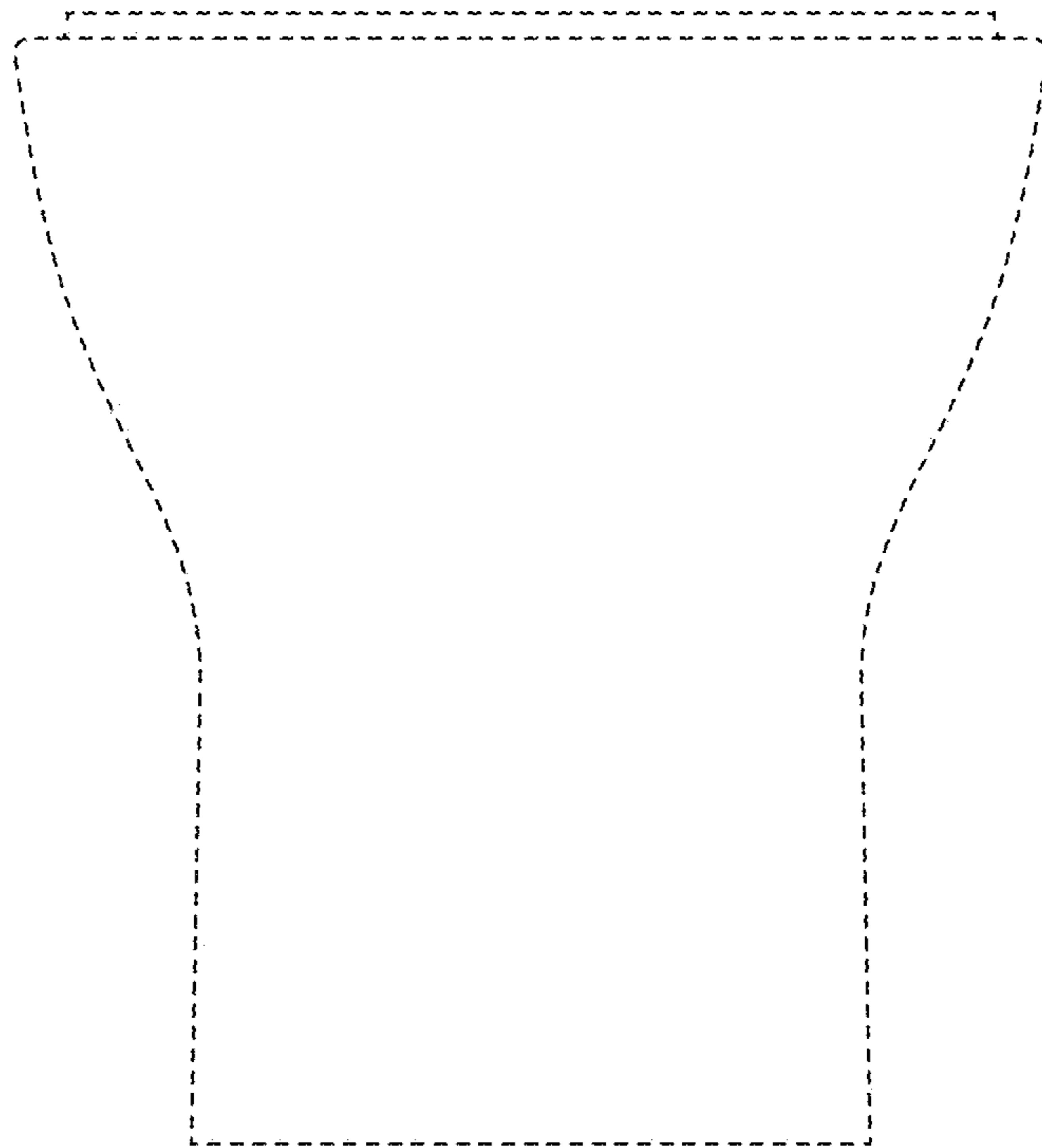


FIG. 4

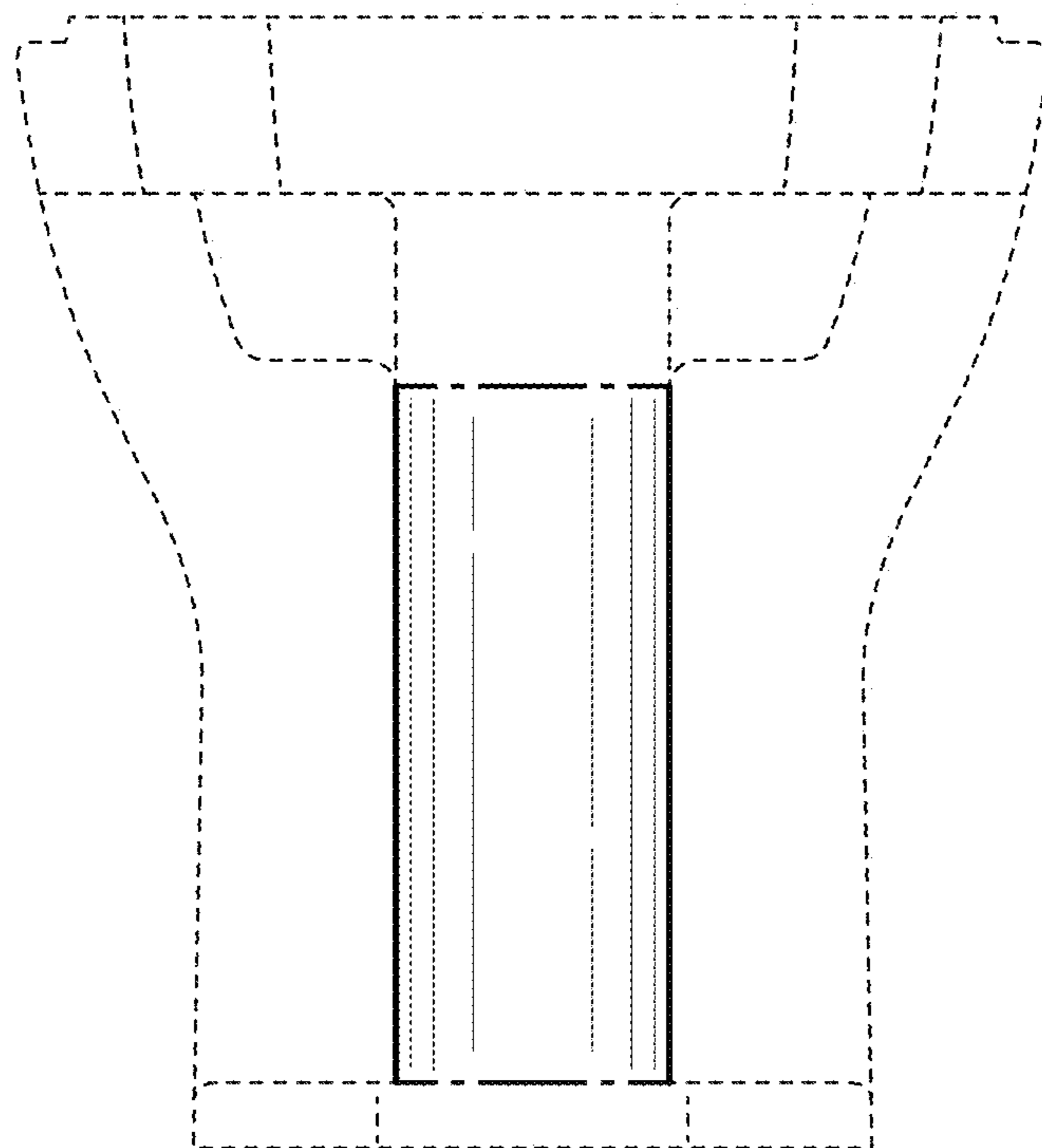


FIG. 5

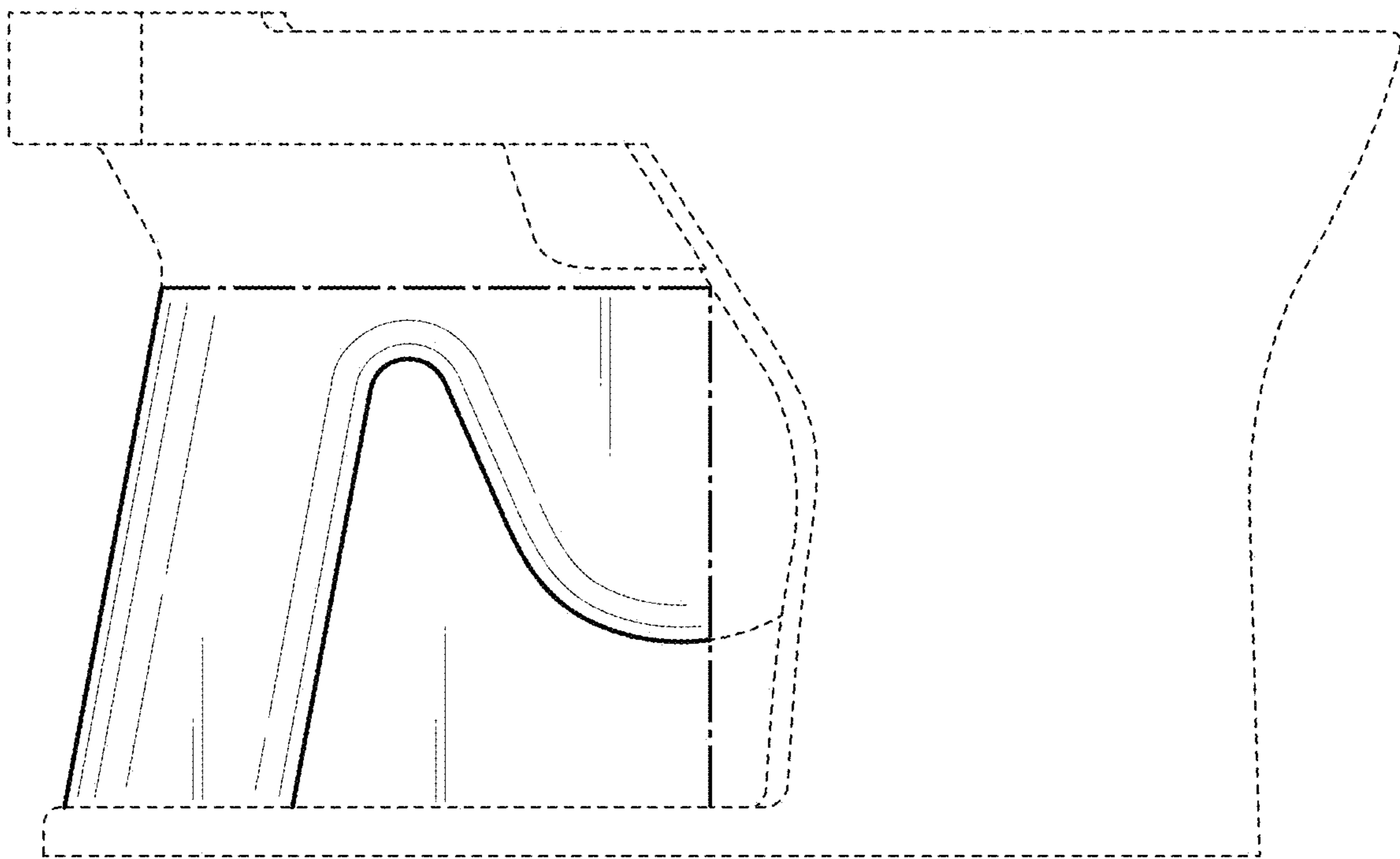


FIG. 6

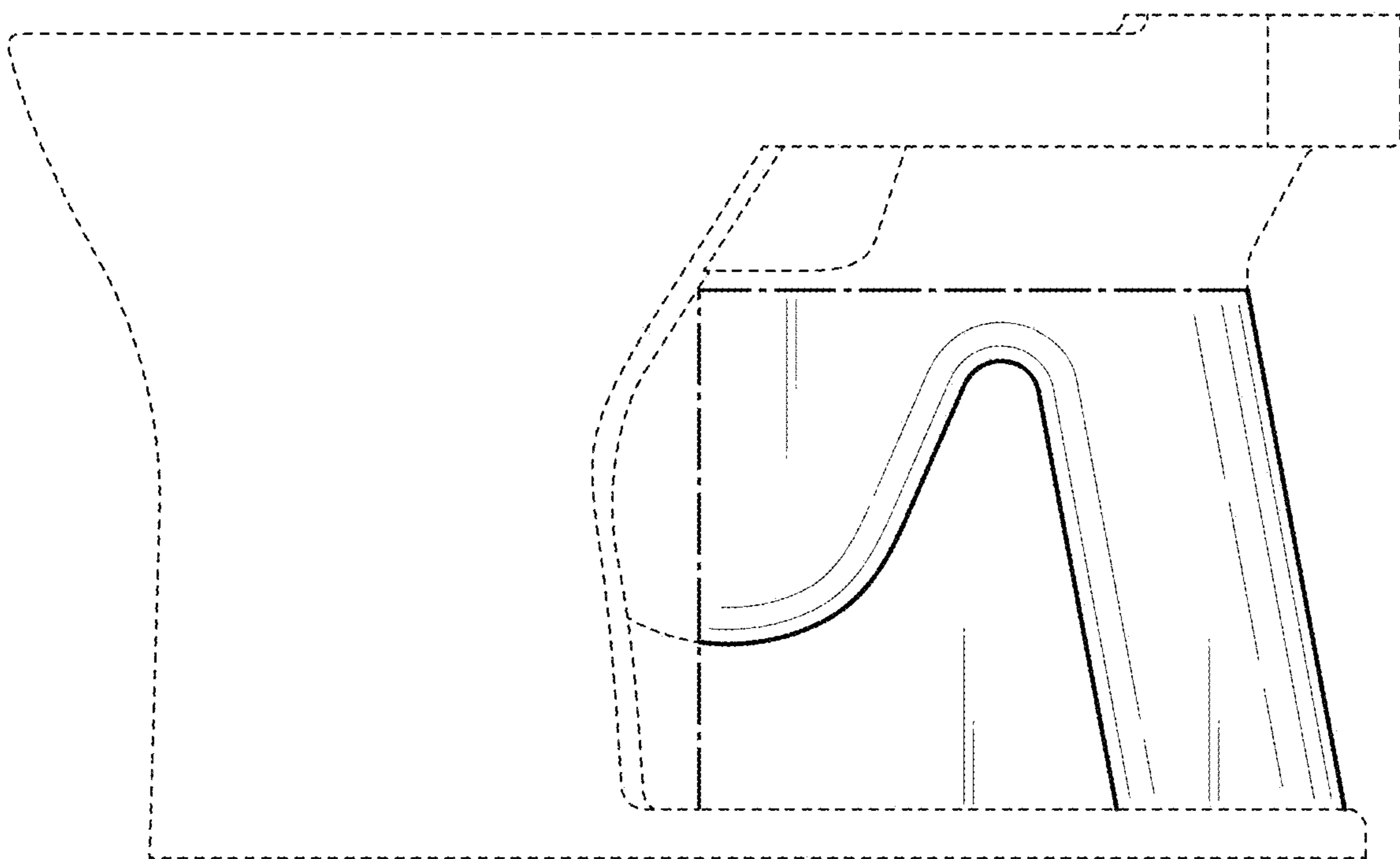


FIG. 7

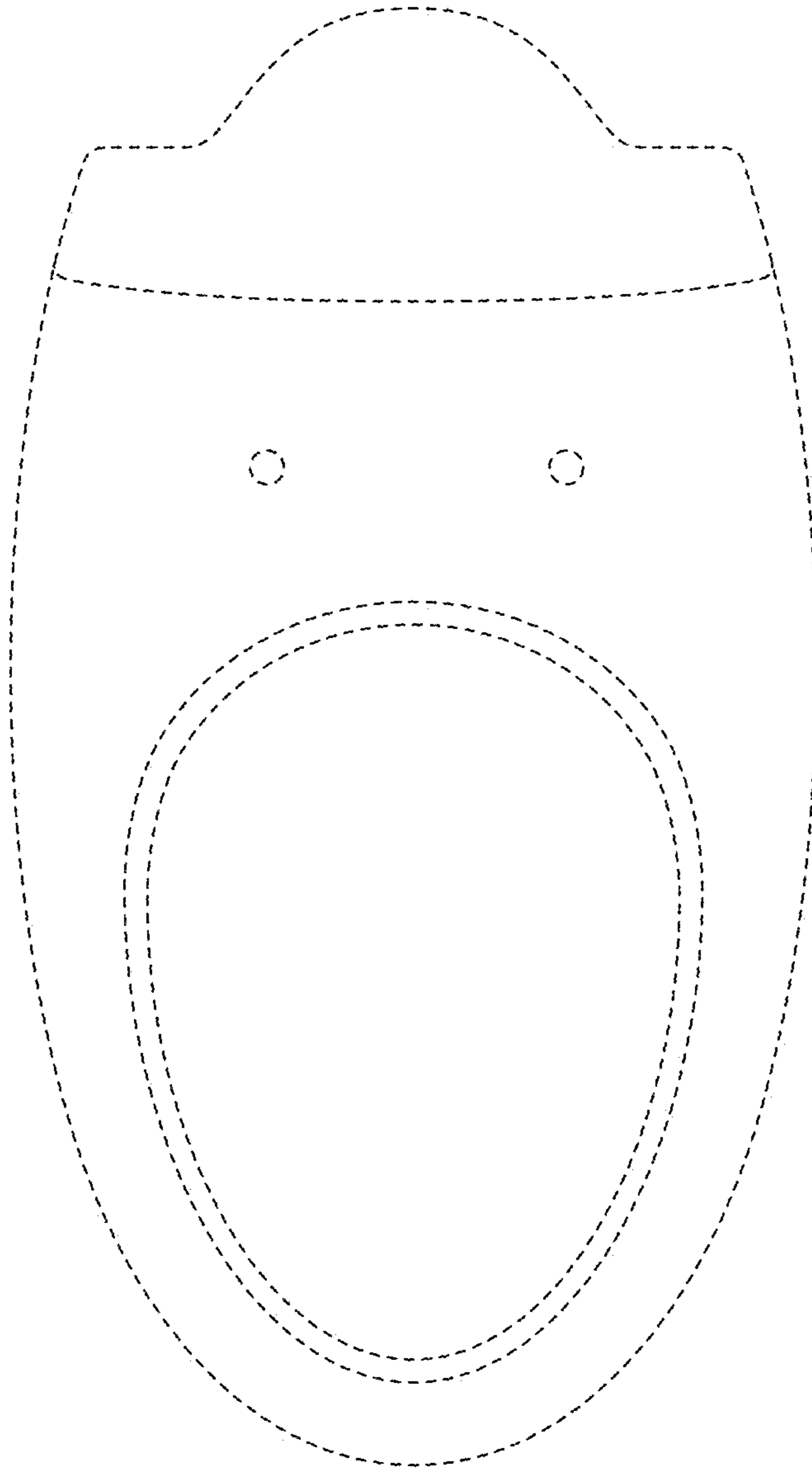


FIG. 8

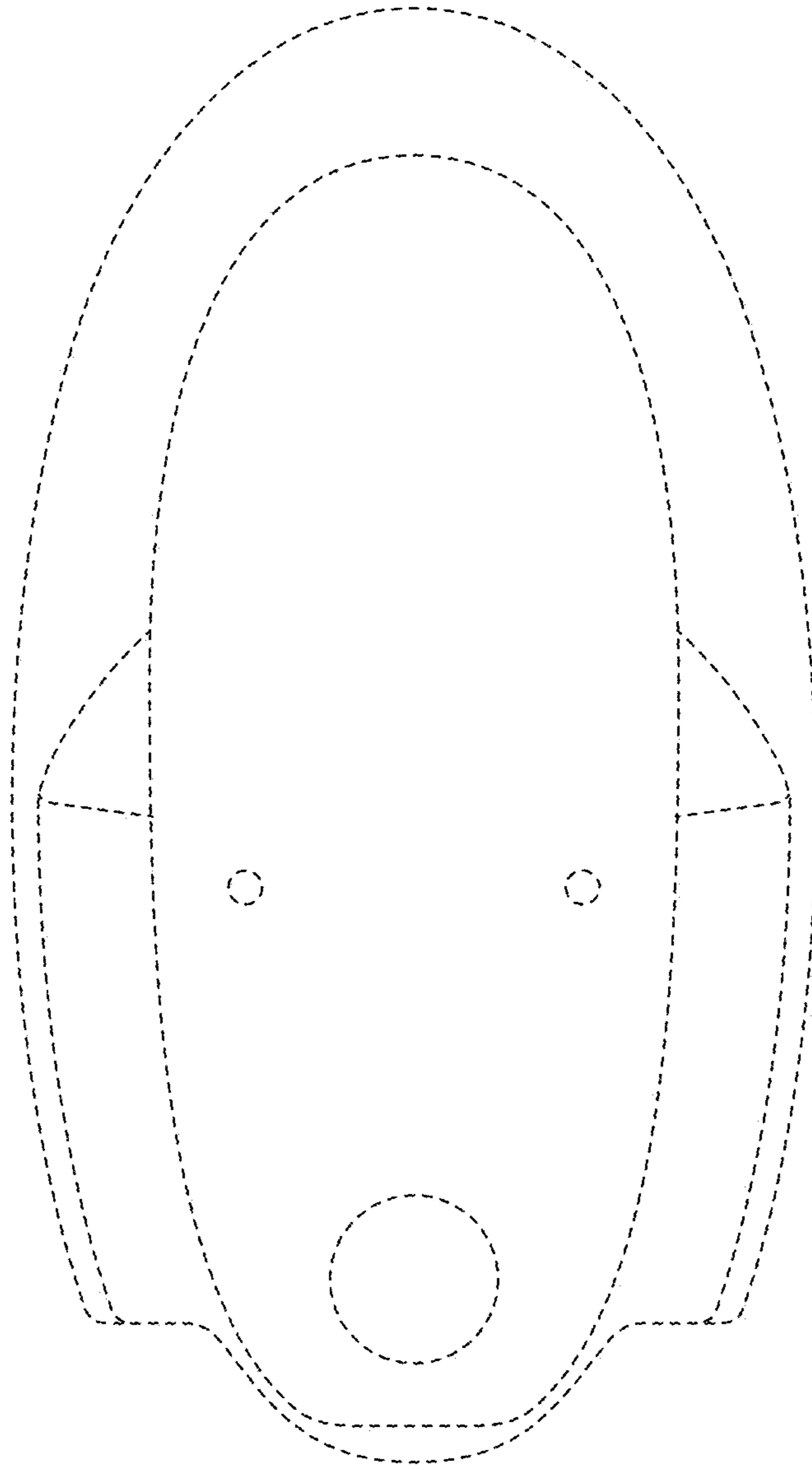


FIG. 9