



US00D882740S

(12) **United States Design Patent**
Kaldewei

(10) **Patent No.:** **US D882,740 S**

(45) **Date of Patent:** **** Apr. 28, 2020**

(54) **DROP-IN SINK**

(71) Applicant: **Franz Kaldewei GmbH & Co. KG,**
Ahlen (DE)

(72) Inventor: **Franz Kaldewei,** Ahlen (DE)

(73) Assignee: **FRANZ KALDEWEI GMBH & CO.**
KG, Ahlen (DE)

(**) Term: **15 Years**

(21) Appl. No.: **29/638,251**

(22) Filed: **Feb. 26, 2018**

(30) **Foreign Application Priority Data**

Aug. 28, 2017 (EP) 004168730

(51) **LOC (12) Cl.** **23-02**

(52) **U.S. Cl.**
USPC **D23/308**

(58) **Field of Classification Search**
USPC ... D23/270, 284, 285, 286, 287, 293.1, 290,
D23/304, 308, 499; D6/524, 573,
D6/663-665

CPC E03C 1/04; E03C 1/12; E03C 1/14; A47K
1/00

See application file for complete search history.

(56) **References Cited**

U.S. PATENT DOCUMENTS

D391,353 S * 2/1998 McKeone D23/284
D507,043 S * 7/2005 Ferrer Beltran D23/293.1
D507,044 S * 7/2005 Sutopo D23/293.1
D560,783 S * 1/2008 Marshall D23/293.1
D593,648 S * 6/2009 Ziemann D23/284
D598,082 S * 8/2009 Booth D23/284
D677,768 S * 3/2013 Yoshioka D23/293.1
D697,184 S * 1/2014 Spangler D23/292

D710,978 S * 8/2014 Spangler D23/293.1
D763,415 S * 8/2016 Gompper D23/284
D767,739 S * 9/2016 Hofle D23/287
D810,248 S * 2/2018 Schoenherr D23/284

OTHER PUBLICATIONS

Amazon, Franke Aveta Kitchen Sink, posted May 2, 2017, [online],
[visited Aug. 2, 2019]. Internet, URL: [https://www.amazon.co.uk/
Franke-Tectonite-Reversible-Kitchen-Basket/dp/B07NYRHW93/
ref=olp_product_details?_encoding=UTF8&me=](https://www.amazon.co.uk/Franke-Tectonite-Reversible-Kitchen-Basket/dp/B07NYRHW93/ref=olp_product_details?_encoding=UTF8&me=) (Year: 2017).*

* cited by examiner

Primary Examiner — Sheryl Lane

Assistant Examiner — Samantha N Wood

(74) *Attorney, Agent, or Firm* — Andrew Wilford

(57) **CLAIM**

The ornamental design for a drop-in sink, as shown and described.

DESCRIPTION

FIG. 1 is a perspective view from above and in front of the invention;

FIG. 2 is a top view of the invention;

FIG. 3 is a front view of the invention, the back view being identical;

FIG. 4 is a side view of the invention, the other side view being a mirror image thereof; and,

FIG. 5 is a perspective view from above and behind of the invention.

The broken lines showing portions of the drop-in sink are included for the purpose of showing the environmental structure and form no part of the claimed design.

1 Claim, 5 Drawing Sheets

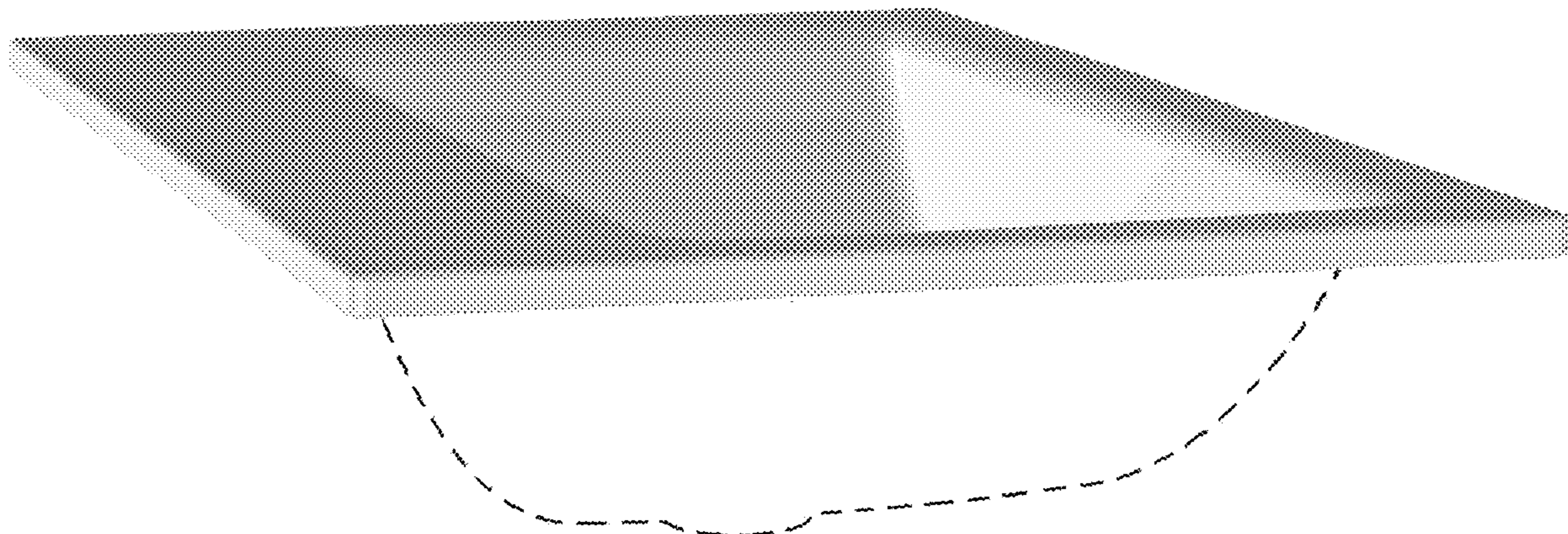


Fig. 1

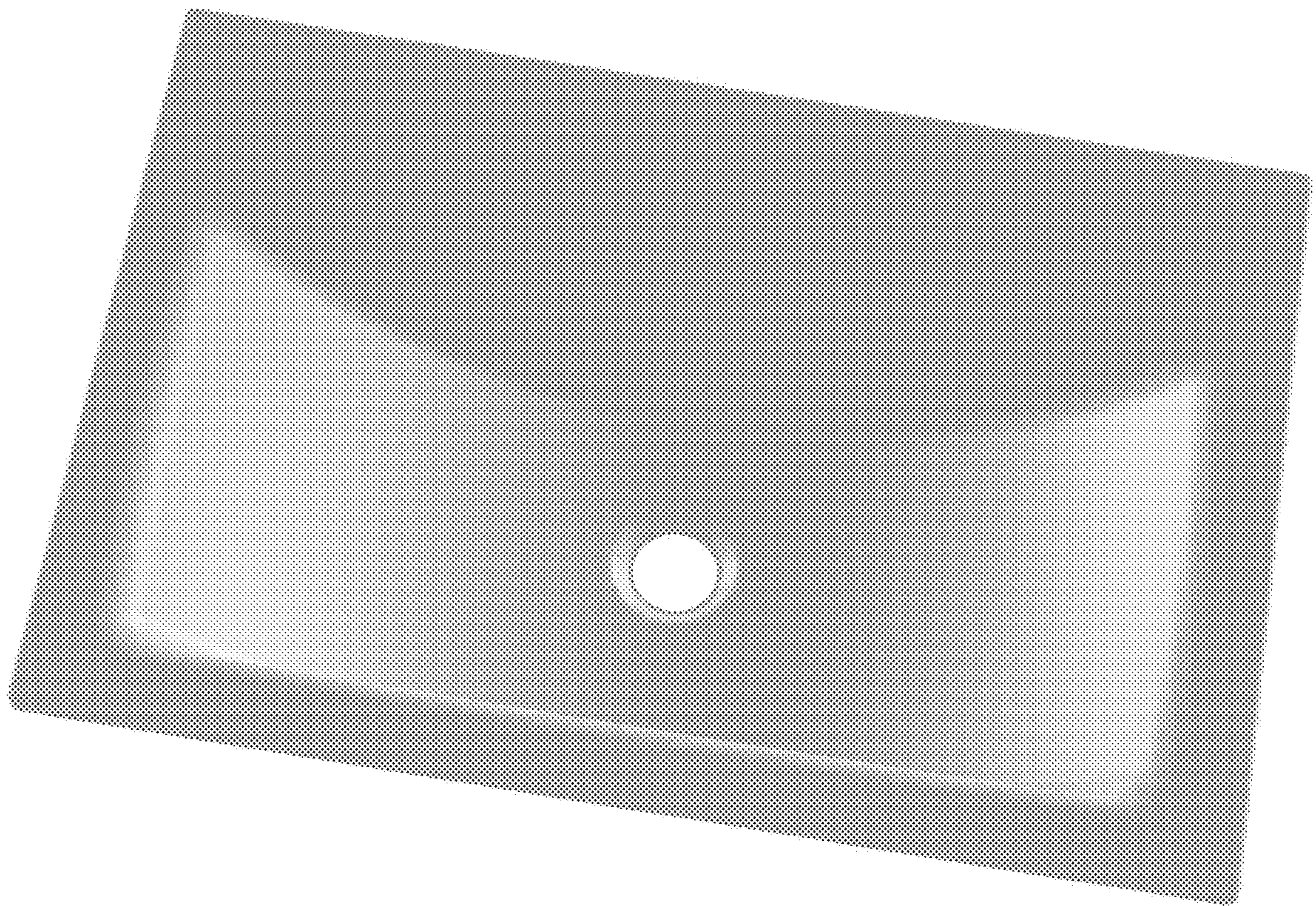


Fig. 2

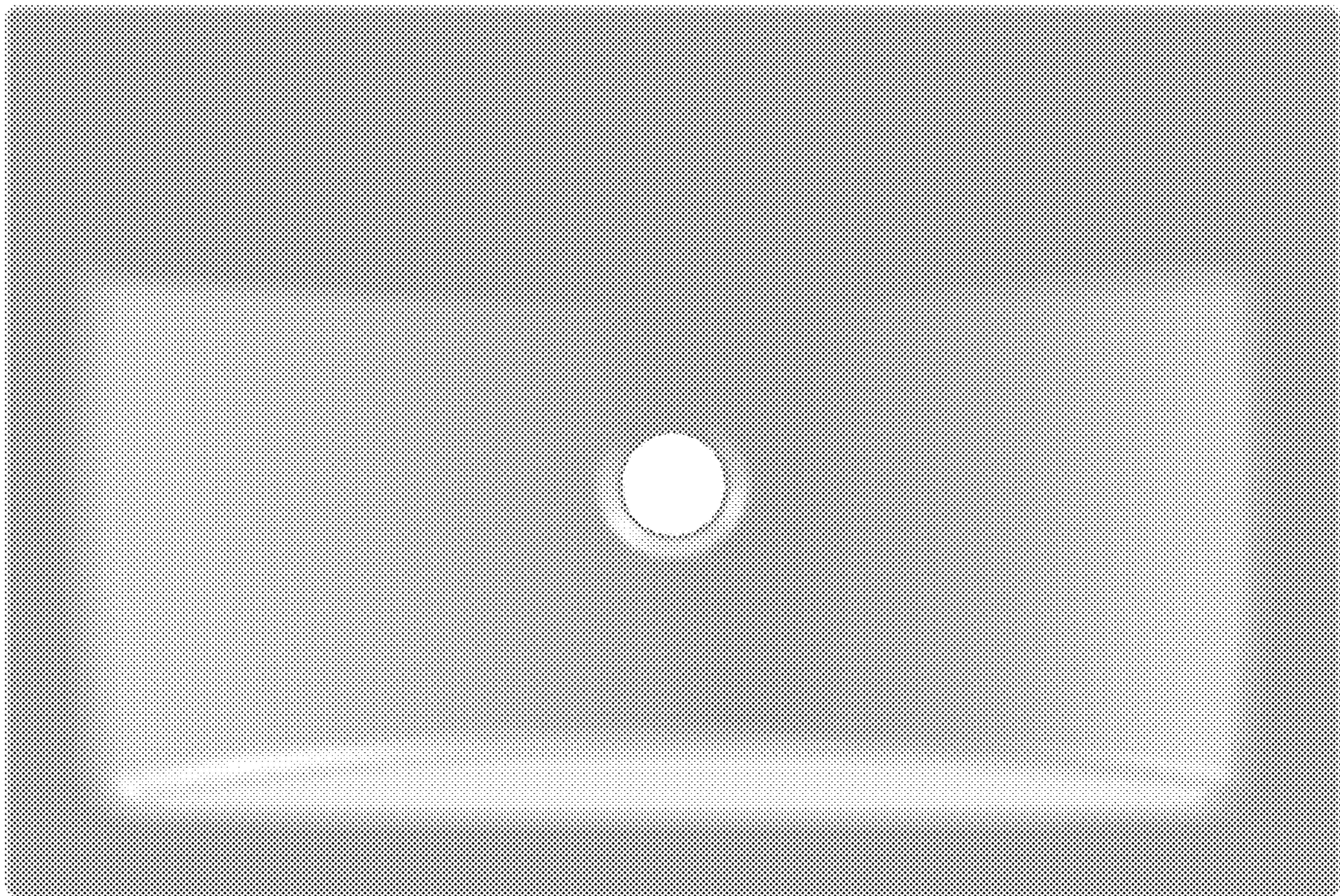


Fig. 3

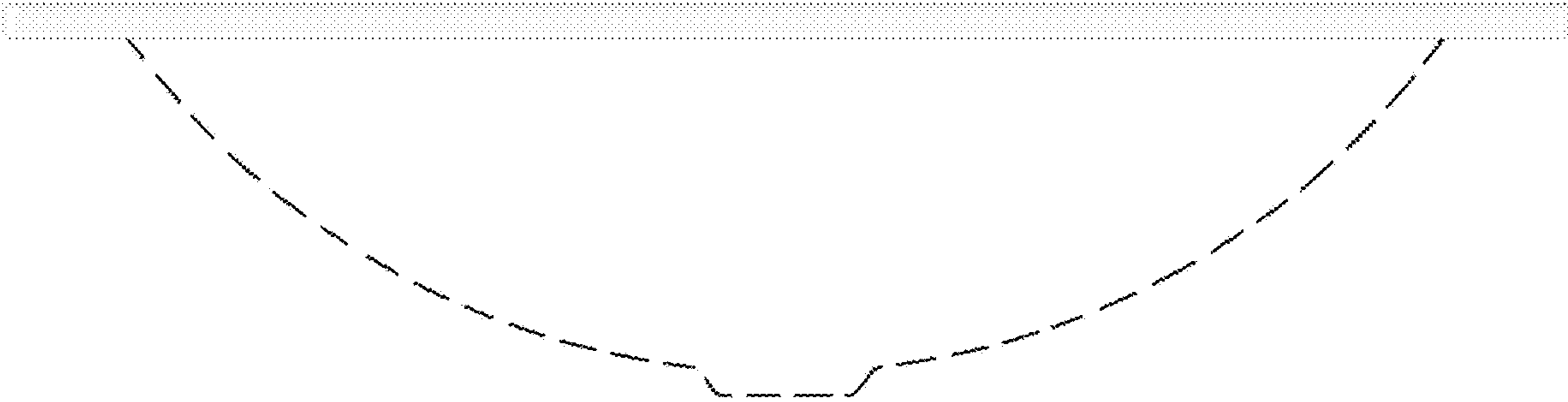


Fig. 4

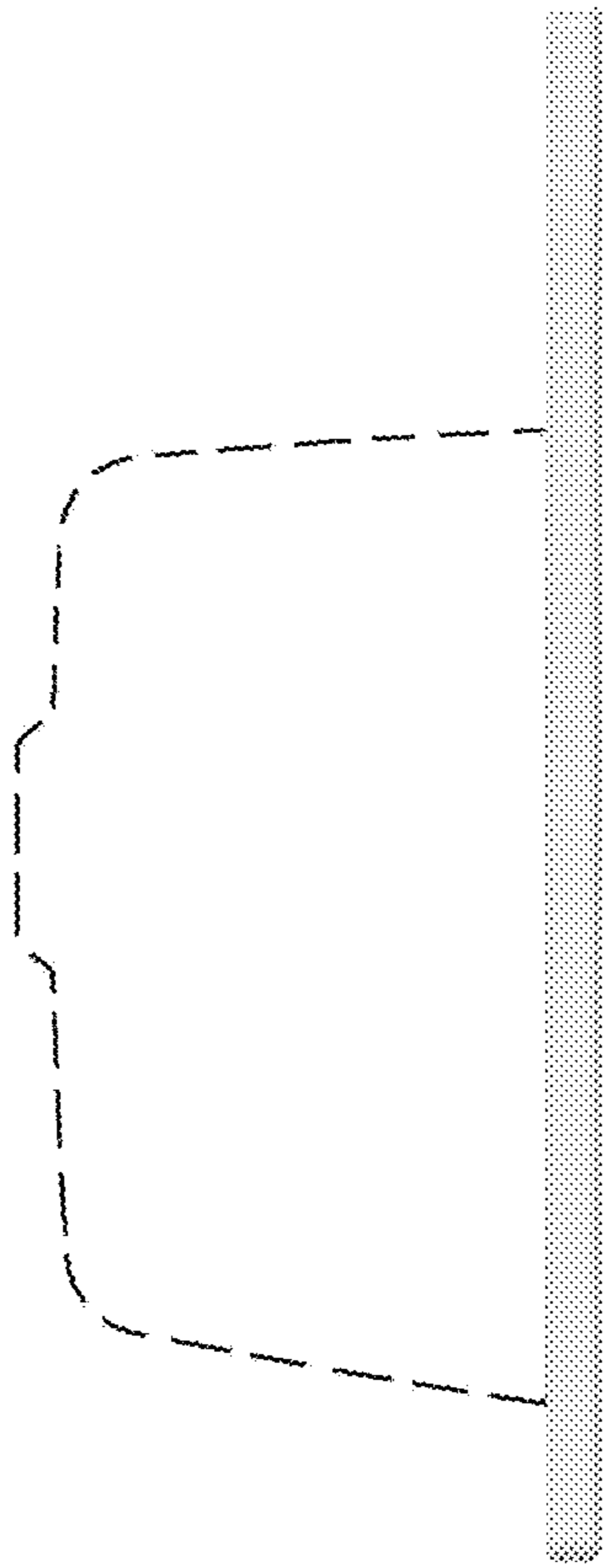


Fig. 5

