



US00D882739S

(12) **United States Design Patent** (10) **Patent No.:** **US D882,739 S**
Otsuka et al. (45) **Date of Patent:** **** Apr. 28, 2020**

(54) **WATER CLOSET**

(71) Applicant: **TOTO, Ltd.**, Kitakyushu-shi, Fukuoka (JP)

(72) Inventors: **Kazuki Otsuka**, Kitakyushu (JP);
Minoru Tani, Kitakyushu (JP);
Masafumi Ishikawa, Kitakyushu (JP)

(73) Assignee: **TOTO, Ltd.**, Kitakyushu-shi, Fukuoka (JP)

(**) Term: **15 Years**

(21) Appl. No.: **29/683,990**

(22) Filed: **Mar. 18, 2019**

(30) **Foreign Application Priority Data**

Dec. 20, 2018 (JP) 2018-027816
Dec. 20, 2018 (JP) 2018-027817

(51) **LOC (12) Cl.** **23-02**

(52) **U.S. Cl.**
USPC **D23/295**

(58) **Field of Classification Search**
USPC D23/295, 301, 309, 313
CPC .. E03D 1/00; E03D 1/01; E03D 1/012; E03D 1/04; E03D 1/06; E03D 1/08; E03D 1/28; E03D 1/13; E03D 2201/30; E03D 11/08; E03D 11/18; E03D 13/00; D03D 5/10; A47K 11/00

See application file for complete search history.

(56) **References Cited**

U.S. PATENT DOCUMENTS

D447,225 S *	8/2001	Tani	D23/301
D502,765 S *	3/2005	Bucher	D23/301
D532,875 S *	11/2006	Kaule	D23/301
D558,863 S *	1/2008	Taguchi	D23/295
D624,165 S *	9/2010	Yokoyama	D23/301
D712,529 S *	9/2014	Bucher	D23/309
D831,799 S *	10/2018	Obara	D23/301

* cited by examiner

Primary Examiner — Robert A Delehanty

(74) *Attorney, Agent, or Firm* — Banner & Witcoff, Ltd.

(57) **CLAIM**

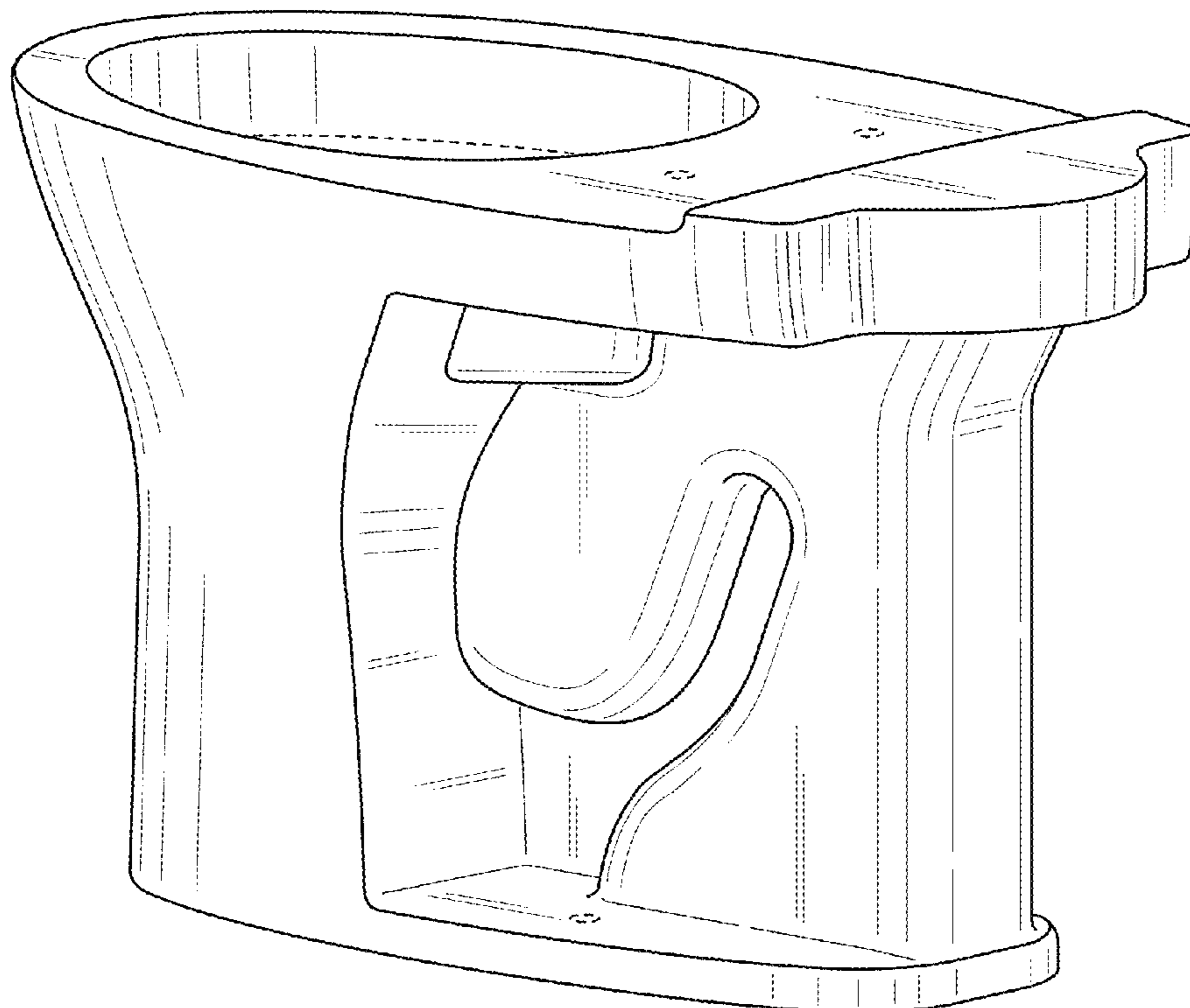
The ornamental design for a water closet, as shown and described.

DESCRIPTION

FIG. 1 is a top, right, front, perspective view of a water closet showing our new design;
FIG. 2 is a top, right, rear, perspective view thereof;
FIG. 3 is a top, left, rear, perspective view thereof;
FIG. 4 is a front view thereof;
FIG. 5 is a rear view thereof;
FIG. 6 is a left side view thereof;
FIG. 7 is a right side view thereof;
FIG. 8 is a top view thereof; and,
FIG. 9 is a bottom view thereof.

The broken lines shown in the figures are included for the purpose of illustrating portions of the water closet that form no part of the claimed design.

1 Claim, 7 Drawing Sheets



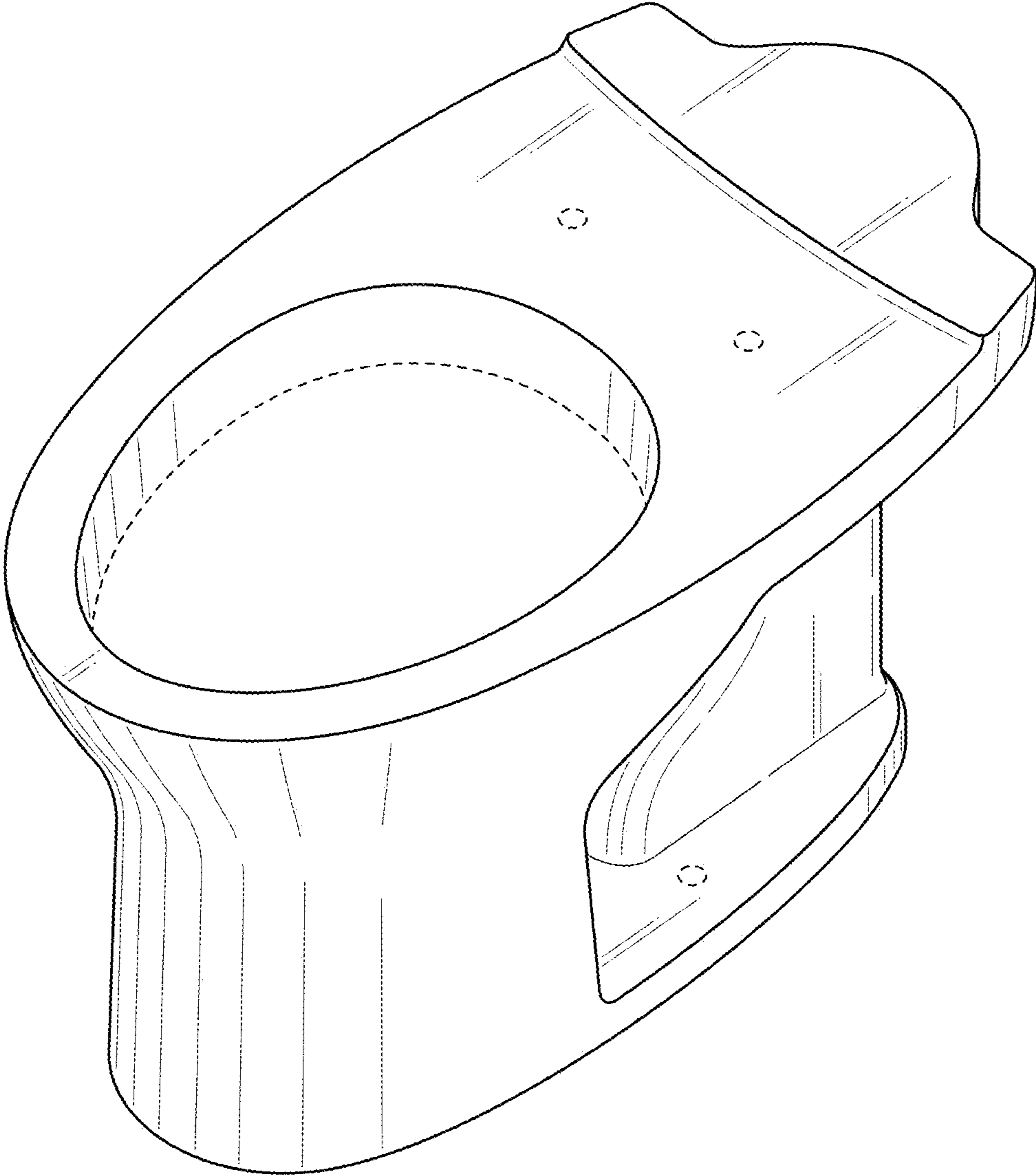


FIG. 1

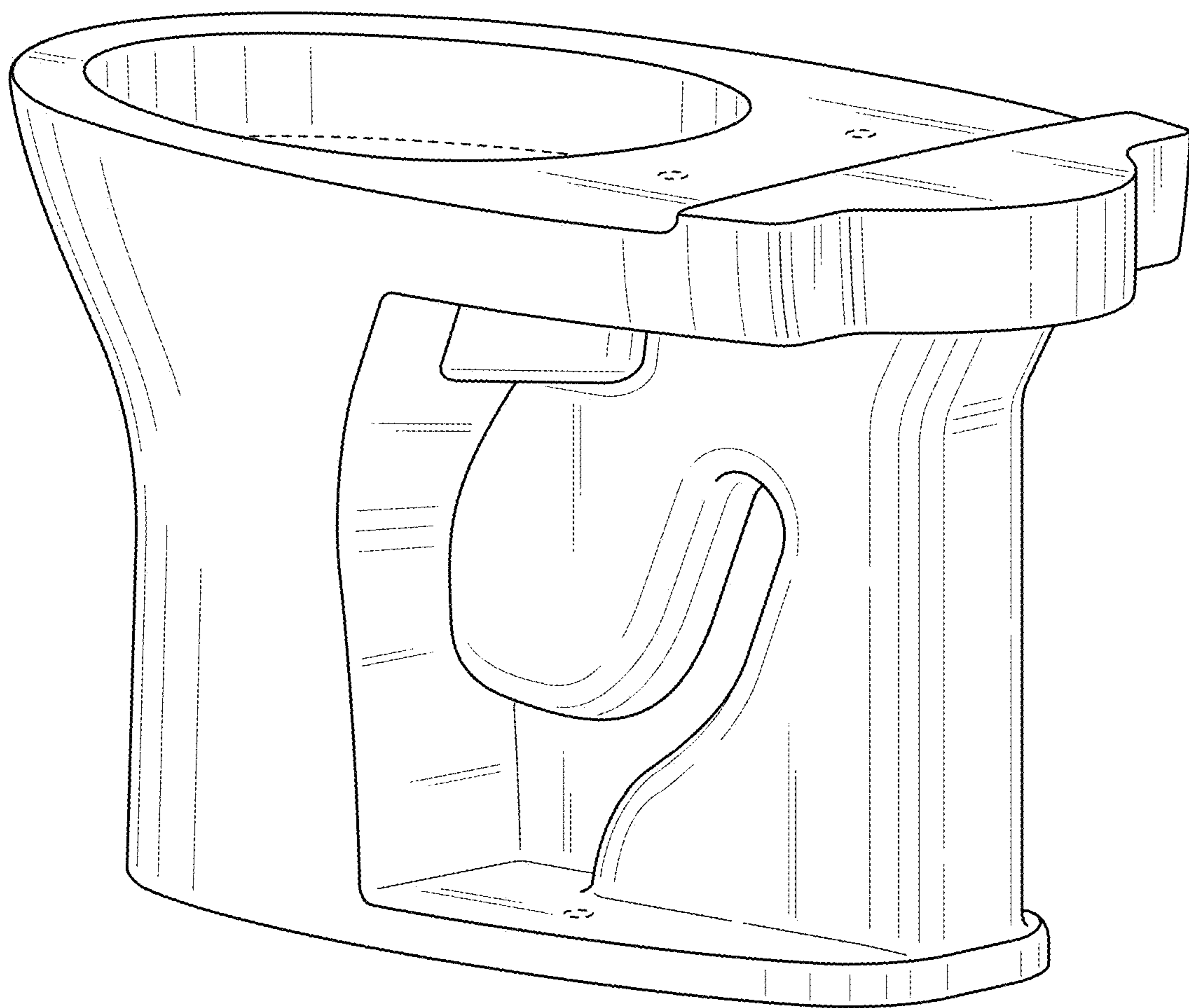


FIG. 2

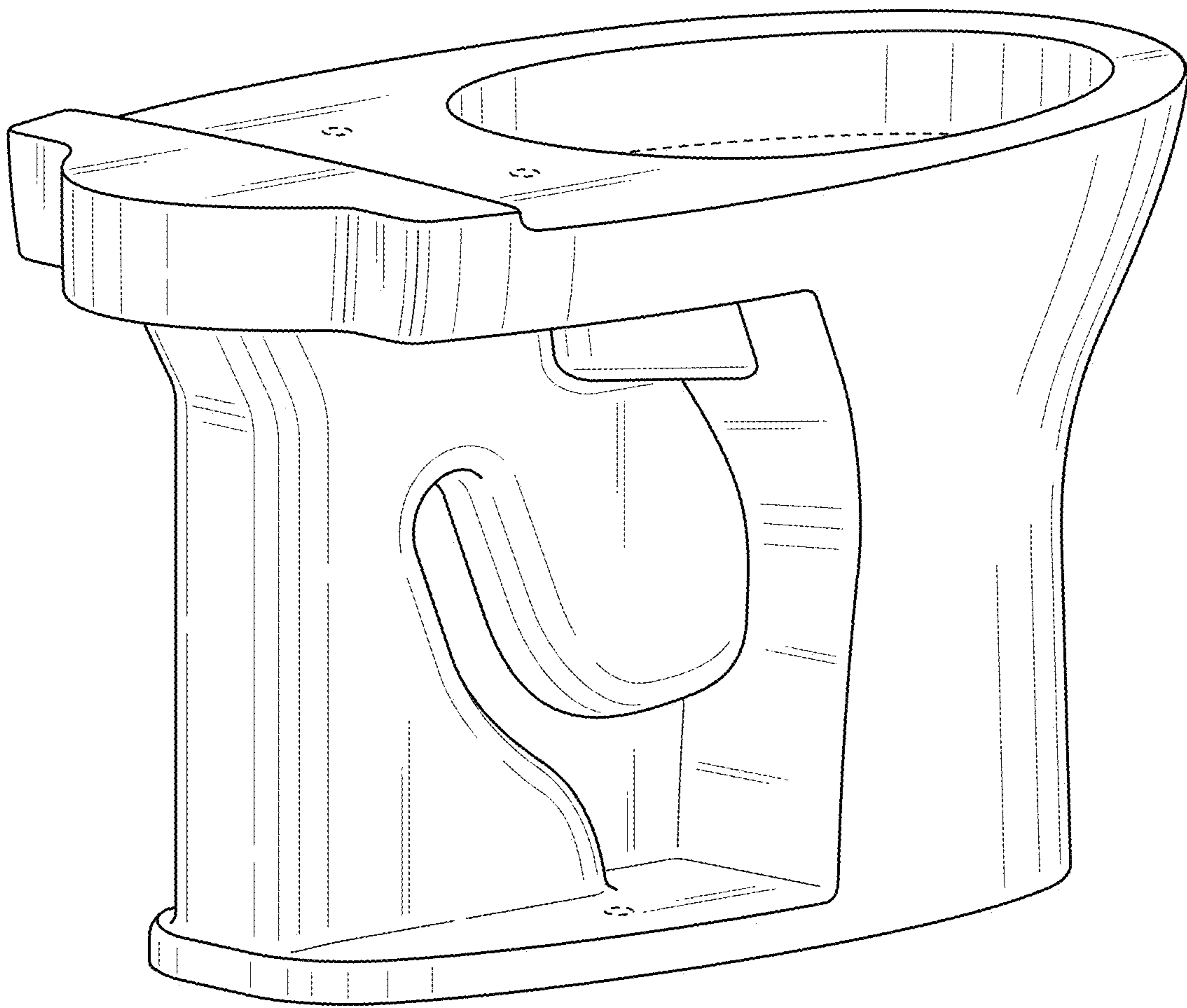


FIG. 3

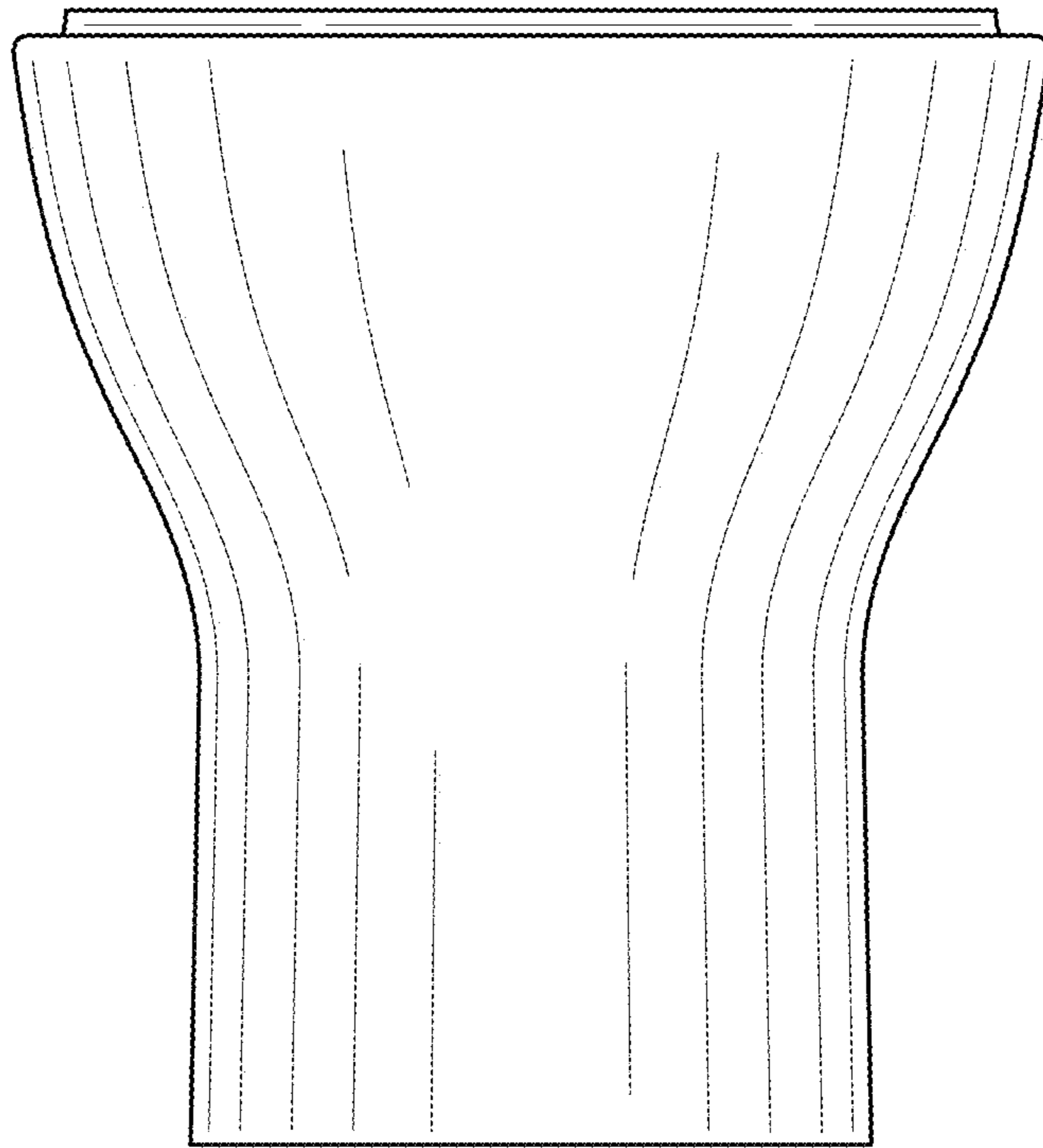


FIG. 4

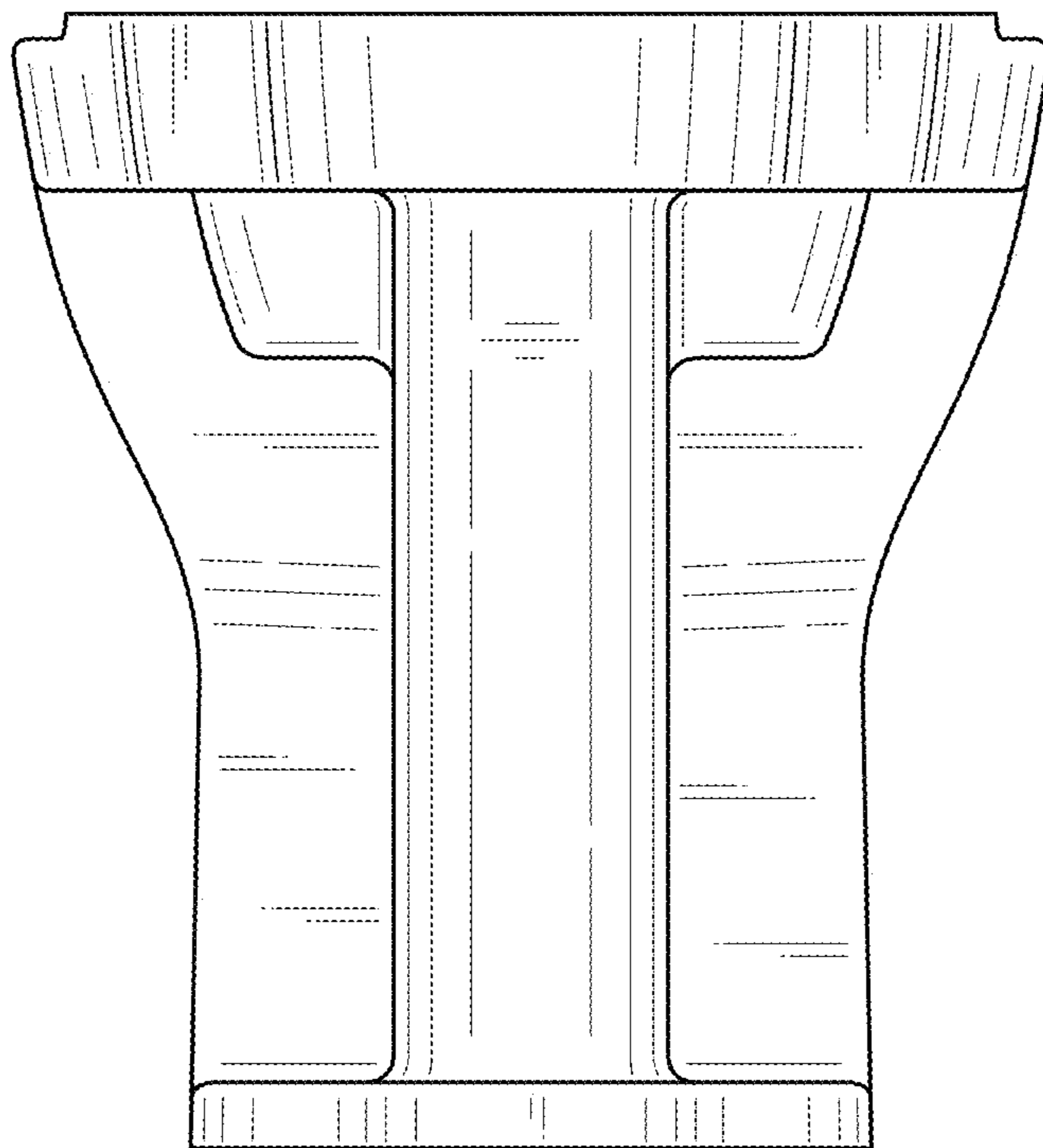


FIG. 5

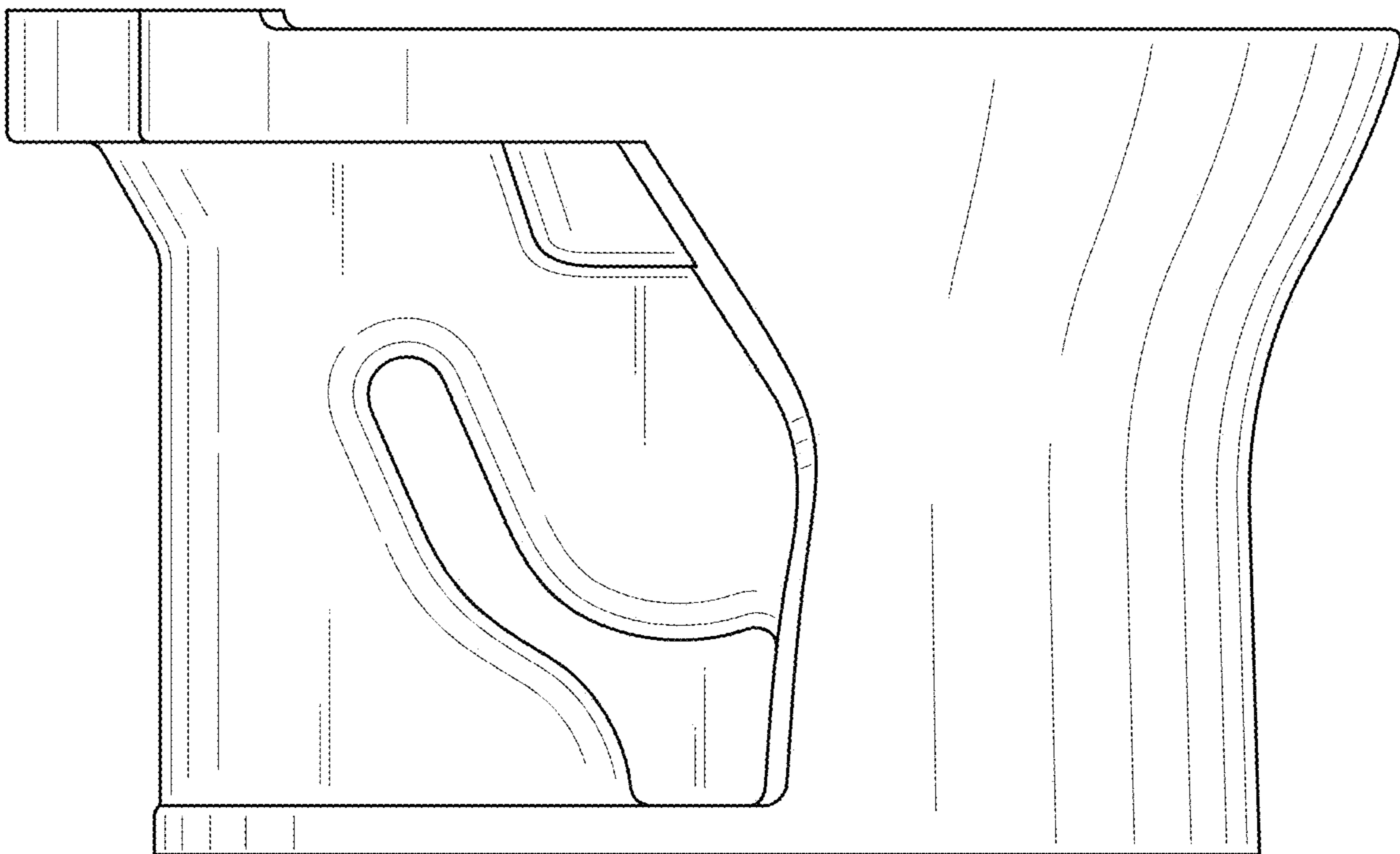


FIG. 6

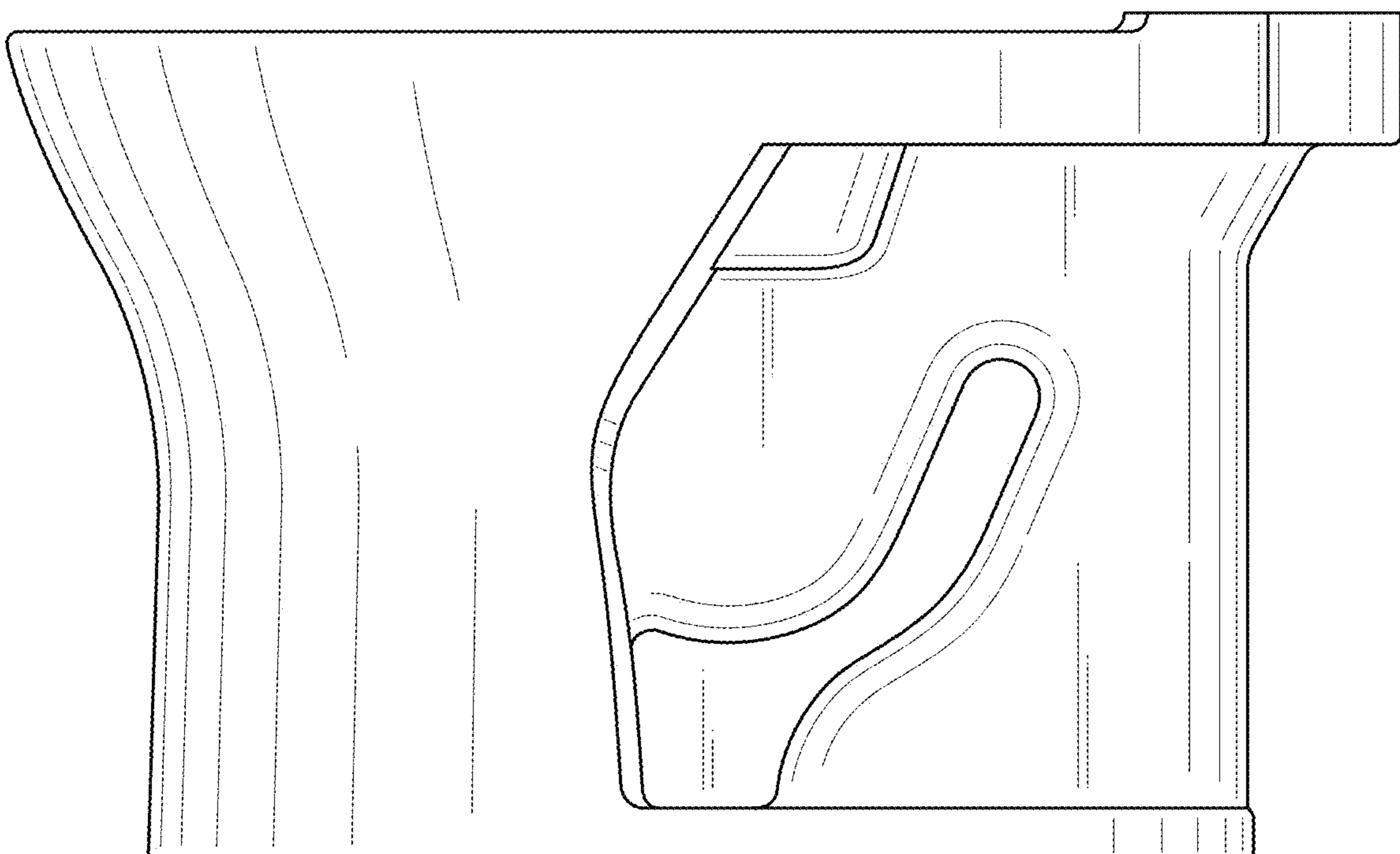


FIG. 7

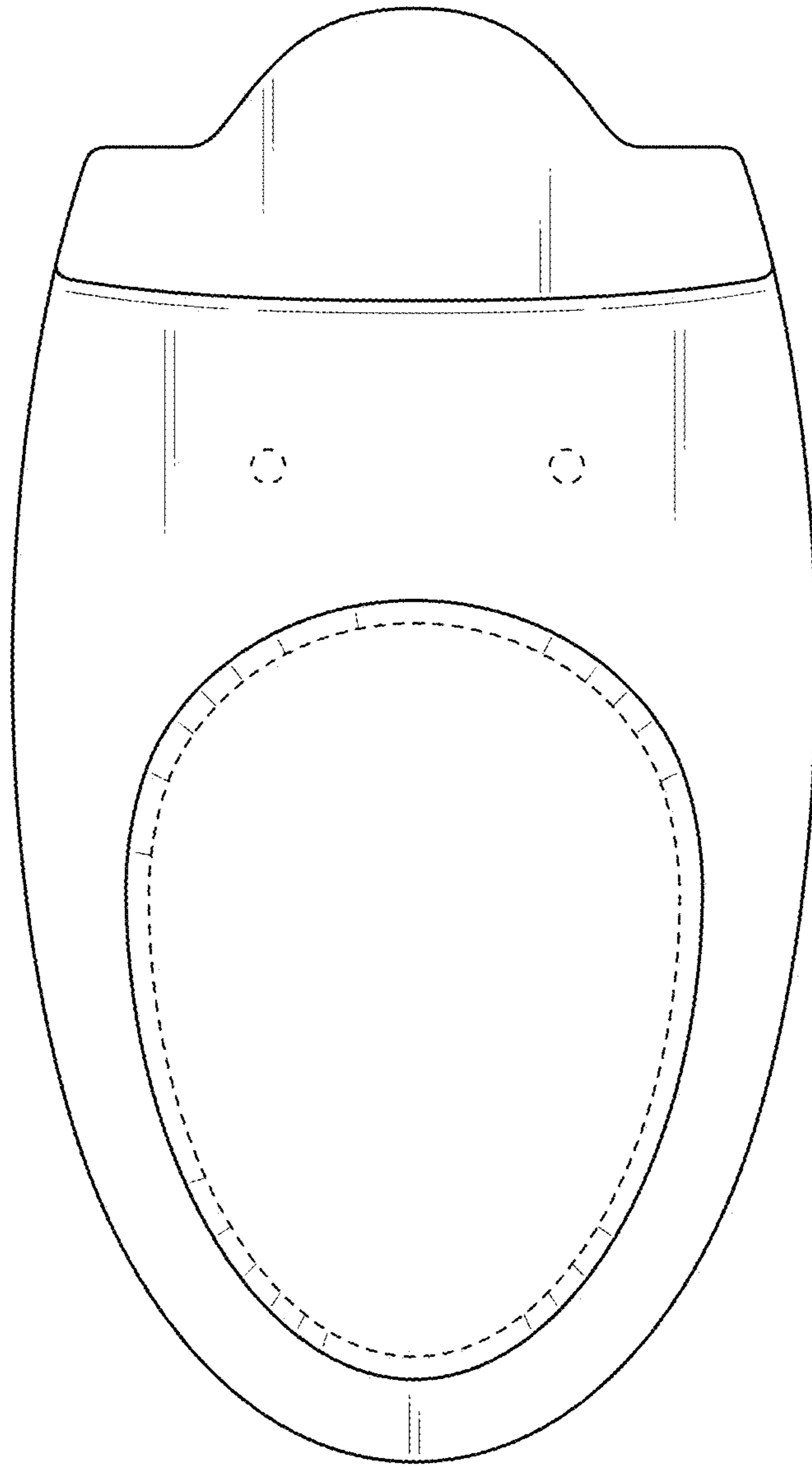


FIG. 8

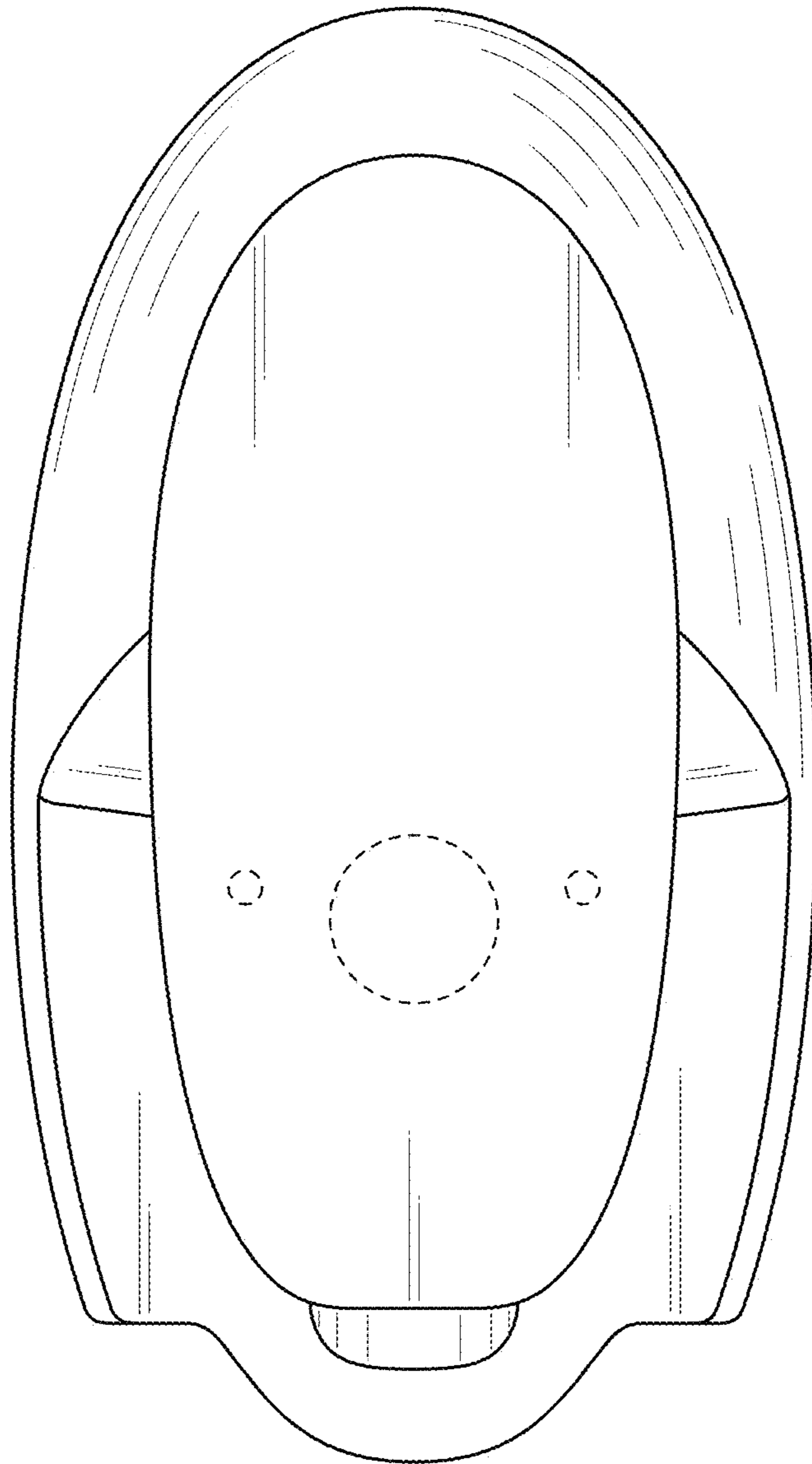


FIG. 9