



US00D882738S

(12) **United States Design Patent**
Leung

(10) **Patent No.:** **US D882,738 S**
(45) **Date of Patent:** **** Apr. 28, 2020**

(54) **DOUBLE CONTAINMENT COUPLING**

FOREIGN PATENT DOCUMENTS

(71) Applicant: **IPEX TECHNOLOGIES INC.**,
Oakville (CA)

DE 3110243 A1 9/1982

(72) Inventor: **Martin Kwan Yu Leung**, Oakville
(CA)

OTHER PUBLICATIONS

(73) Assignee: **IPEX TECHNOLOGIES INC.**,
Oakville (CA)

IPEX Clear-Guard Double Containment Piping; Catalogue, p. 6,
Copyright 2013; [Visited Online Jul. 22, 2019], <https://www.arcat.com/catalogs/ipexusa/clearguardcontainment-datasheet/html5/index.html?page=1> (Year: 2013).*

(Continued)

(**) Term: **15 Years**

Primary Examiner — Eric L Goodman
Assistant Examiner — Amy C Wierenga

(21) Appl. No.: **29/632,132**

(57) **CLAIM**

(22) Filed: **Jan. 5, 2018**

I claim the ornamental design for a double containment
coupling, as shown and described.

(30) **Foreign Application Priority Data**

DESCRIPTION

Nov. 6, 2017 (CA) 178055

(51) **LOC (12) Cl.** **23-01**

(52) **U.S. Cl.**
USPC **D23/262**

(58) **Field of Classification Search**
USPC D23/259, 262, 263, 265–266; 285/15,
285/16, 31, 33, 45, 53, 86, 104, 125.1,
285/179, 180, 285.1, 294.1, 294.3, 373,
285/417, 3, 39, 105, 113, 257, 305, 321,
285/323, 340, 423; 251/146–152;
138/99

CPC F16L 59/14; F16L 17/10
See application file for complete search history.

FIG. 1 is a perspective view of the double containment
coupling in its environment with a pipe inserted in one end;
FIG. 2 is a front and top perspective view of the double
containment coupling;
FIG. 3 is a side view of FIG. 2;
FIG. 4 is a top view of FIG. 2;
FIG. 5 is a rear view of FIG. 2;
FIG. 6 is a front view of FIG. 2;
FIG. 7 is an exploded view of FIG. 2 in a disassembled
configuration;
FIG. 8 is an enlarged detailed view of the disassembled
corner 8 shown in FIG. 7;
FIG. 9 is a cross sectional view of FIG. 8 taken along line
9-9; and,
FIG. 10 is a top sectional view of the disassembled con-
figuration shown in FIG. 7 taken along line 10-10.

(56) **References Cited**

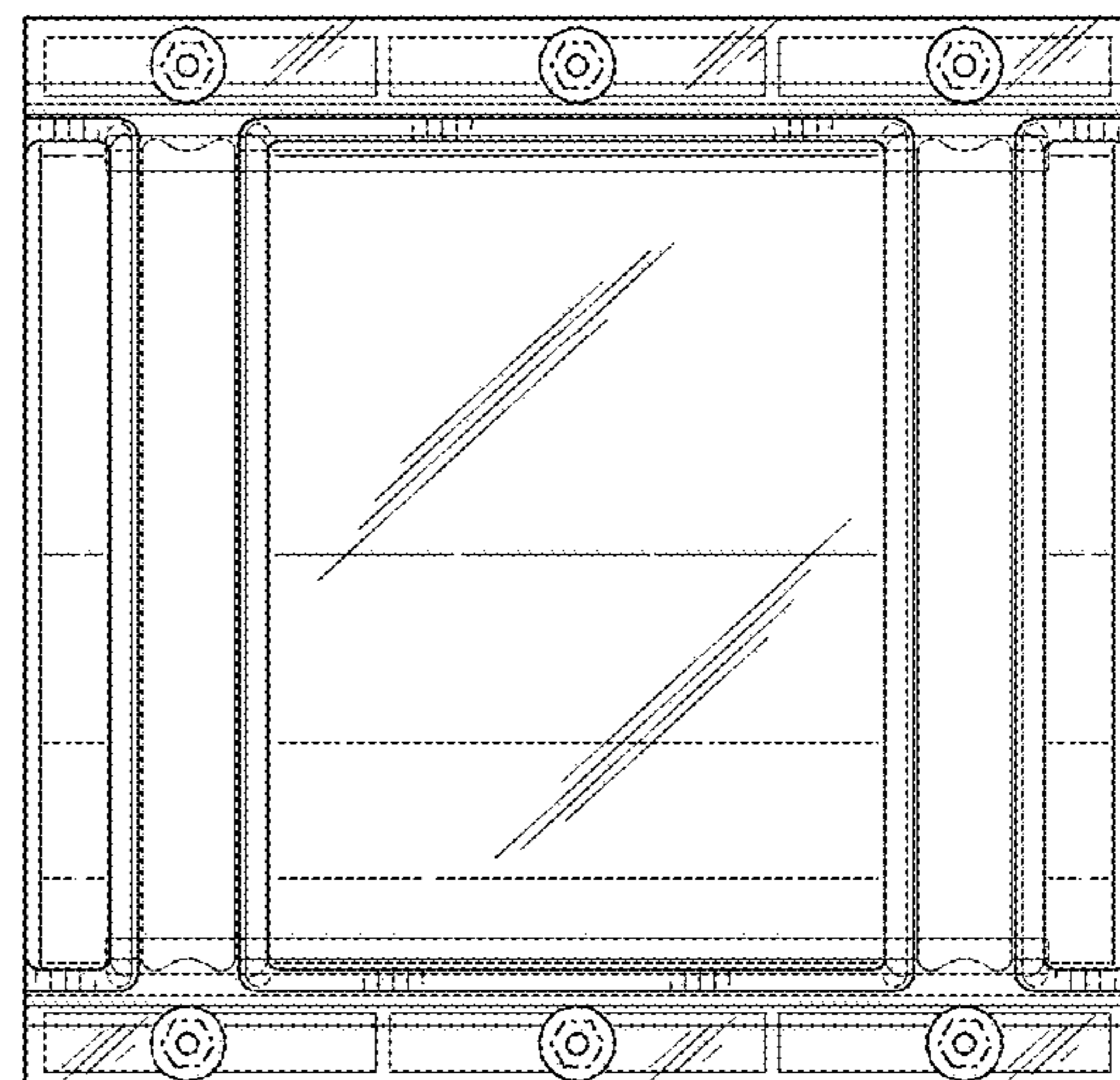
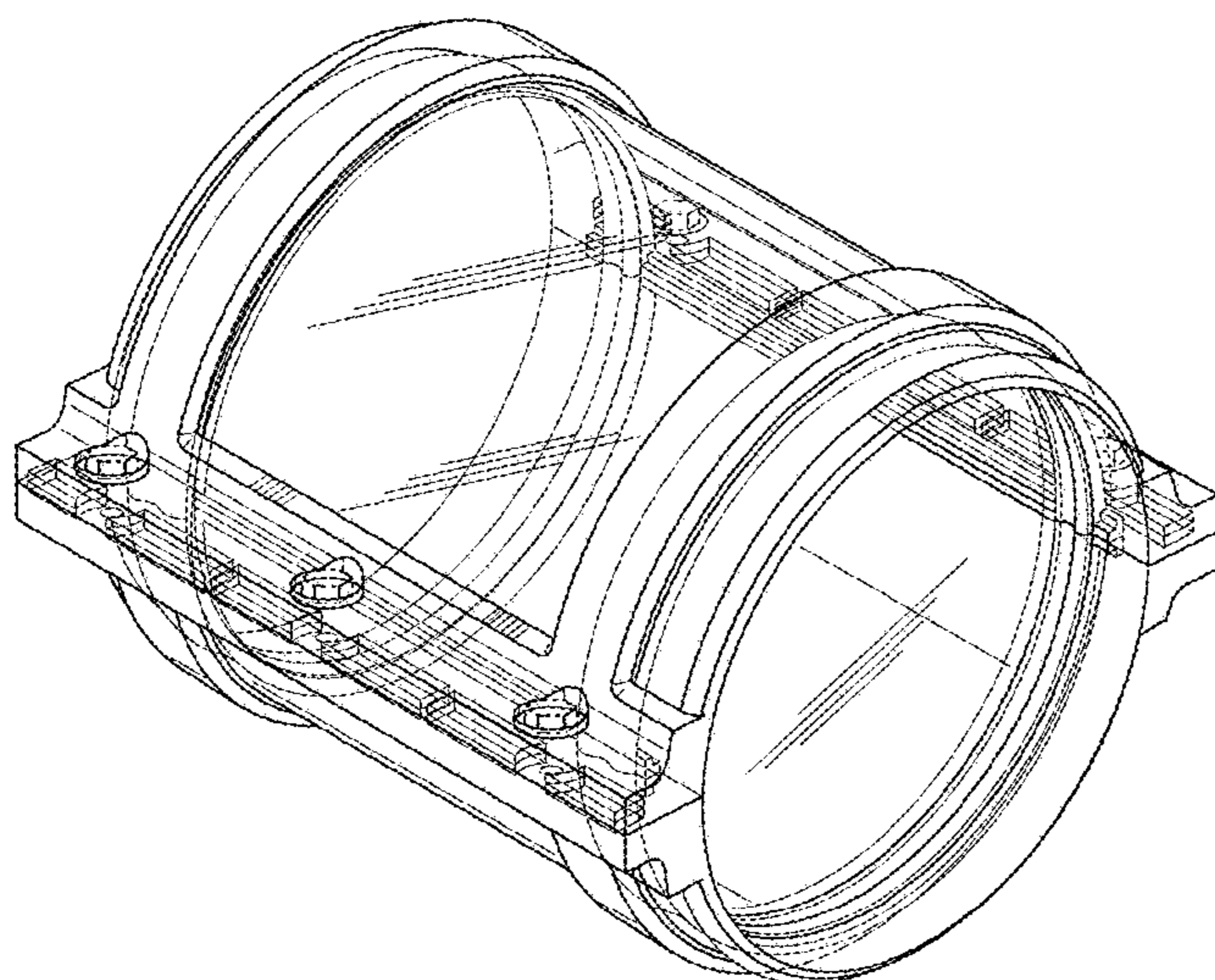
U.S. PATENT DOCUMENTS

1,649,752 A 11/1927 Stone
1,994,361 A 3/1935 Johnson
2,128,720 A * 8/1938 Tweedale F16L 21/06
285/133.11

The dash dot broken lines depict environmental subject
matter that forms no part of the claim. The dot dash broken
line indicates cutoff boundaries for the enlarged detail por-
tion view designated in FIGS. 7 and 8 and form no part of
the claim.

(Continued)

1 Claim, 8 Drawing Sheets



(56)

References Cited

U.S. PATENT DOCUMENTS

2,450,458 A * 10/1948 Thompson H02G 3/06
285/395

3,425,456 A 2/1969 Schibig

4,002,358 A 1/1977 Streit

4,111,234 A 9/1978 Wells et al.

4,219,693 A 8/1980 French

4,372,593 A 2/1983 Kesselman

4,426,108 A 1/1984 Kesselman

4,705,305 A 11/1987 Ghaly

4,944,976 A 7/1990 Plummer

5,022,685 A 6/1991 Stiskin et al.

5,368,338 A 11/1994 Greene et al.

5,419,593 A 5/1995 Greene et al.

5,449,204 A 9/1995 Greene et al.

5,950,683 A * 9/1999 Henderson F16L 55/172
138/97

6,000,420 A * 12/1999 Nicholson F16L 59/16
137/15.01

6,305,719 B1 * 10/2001 Smith, Jr. F16L 55/175
285/15

6,357,196 B1 3/2002 McCombs

6,390,139 B1 5/2002 Kang et al.

D574,472 S * 8/2008 Kanao D23/262

8,113,242 B1 * 2/2012 Bennett B29C 66/81821
138/97

8,448,995 B2 * 5/2013 Ward F16L 21/005
285/236

D697,592 S * 1/2014 Hebert D23/259

8,695,644 B2 4/2014 Rowan et al.

2005/0109415 A1 5/2005 Snyder

2006/0244262 A1* 11/2006 Genoni F16L 21/065
285/417

2010/0101677 A1 4/2010 Liebel et al.

2012/0248761 A1 10/2012 Sixsmith et al.

2013/0207383 A1 8/2013 Sixsmith et al.

2014/0110014 A1 4/2014 Rowan et al.

OTHER PUBLICATIONS

Double Containment Piping Systems, Brochure Copyright Date 2014; [Visited Online Jul. 22, 2019], <http://www.ipexna.com/media/1263/double-containment-product-catalog.pdf> (Year: 2014).*

Double-See Vinyl Double Containment Piping system Brochure; Print Date 2012, [Visited Online Jul. 22, 2019], [https://gfpsresourcecenter.blob.core.windows.net/resource/Double-See%20Vinyl%20Double%20Containment%20Piping%20System%20\(Brochure\).pdf](https://gfpsresourcecenter.blob.core.windows.net/resource/Double-See%20Vinyl%20Double%20Containment%20Piping%20System%20(Brochure).pdf) (Year: 2012).*

Commercial Industry Supply Website Posted Entry, What's the Deal with Clear PVC?, Posted Nov. 13, 2013, [Visited Online Jul. 22, 2019], <https://www.commercial-industrial-supply.com/resource-center/whats-the-deal-with-clear-pvc/> (Year: 2013).*

Harvel Clear PVC Pipe Spec Sheet Catalog; Effective date Apr. 28, 2010; Visited Online Oct. 16, 2019; <http://www.clearpvcpipe.com/media/additional/ClearPVCspecs.pdf> (Year: 2010).*

Harvel Clear Compression and Repair Coupling; Grainger Website copyright dates 1994-2019; Visited Online 0/16/2019; <https://www.grainger.com/category/plumbing/pipe-tubing-and-fittings/pipe-fittings/pvc-pipe-fittings?brandName=HARVEL+CLEAR&filters=brandName> (Year: 1994).*

* cited by examiner

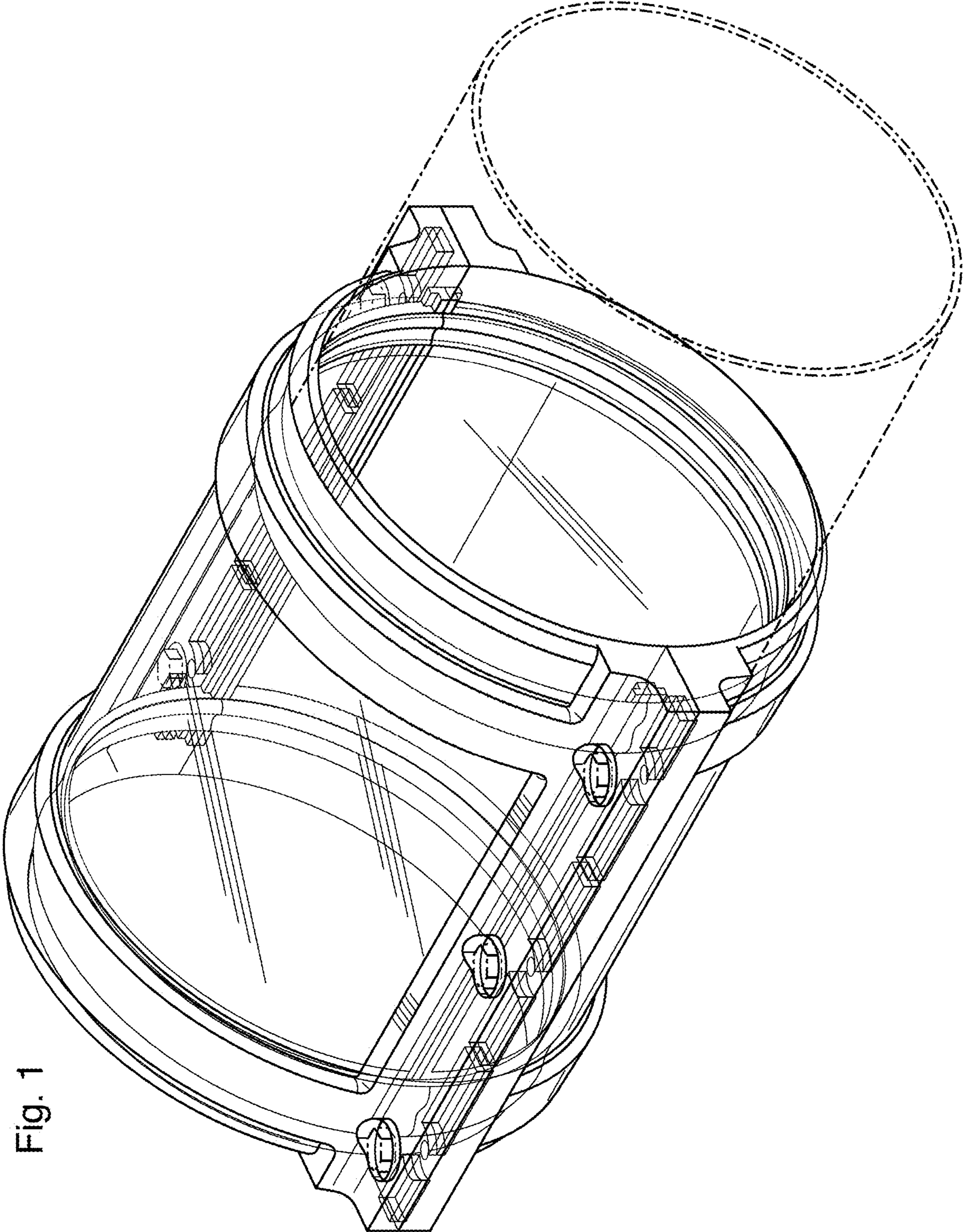


Fig. 1

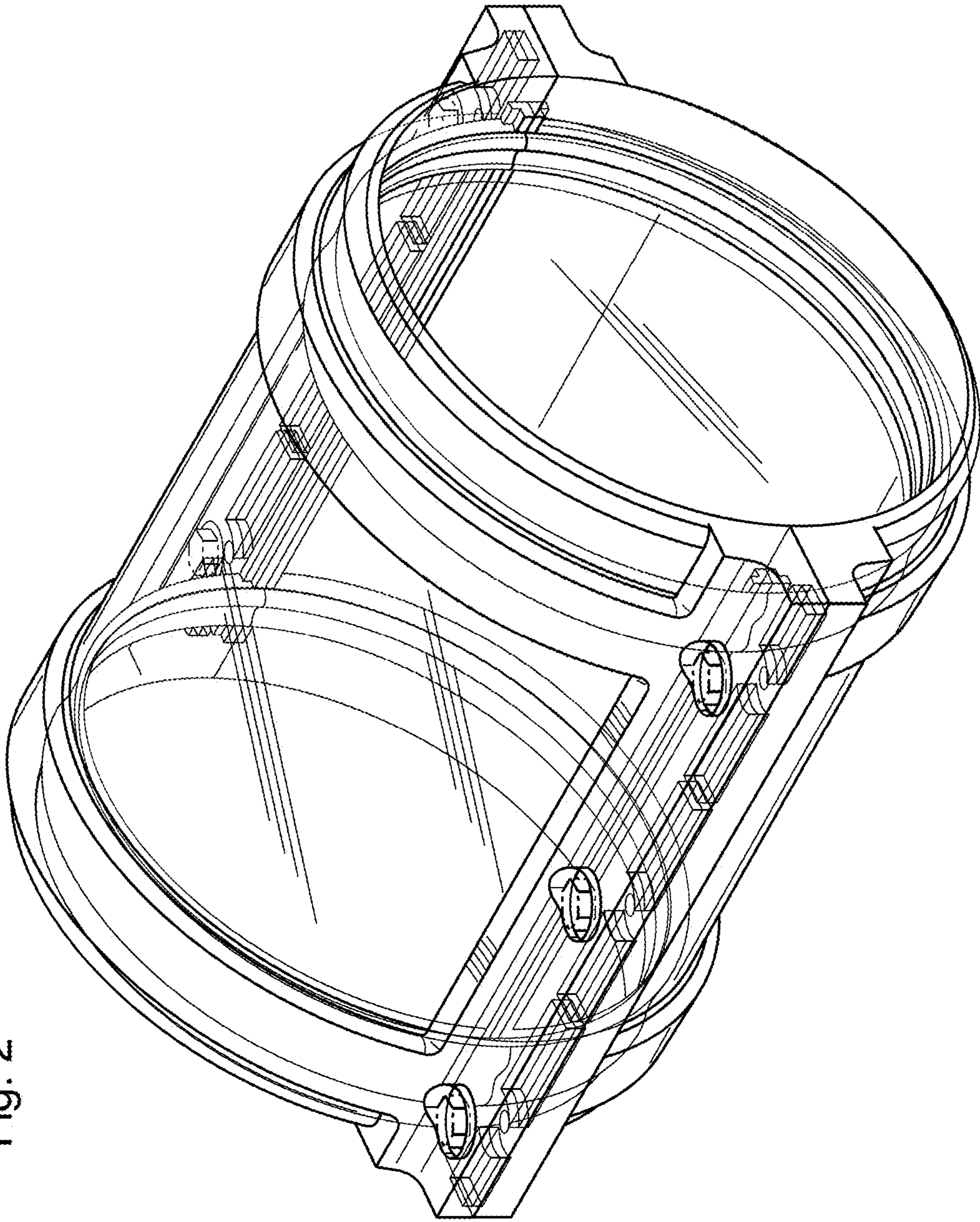


Fig. 2

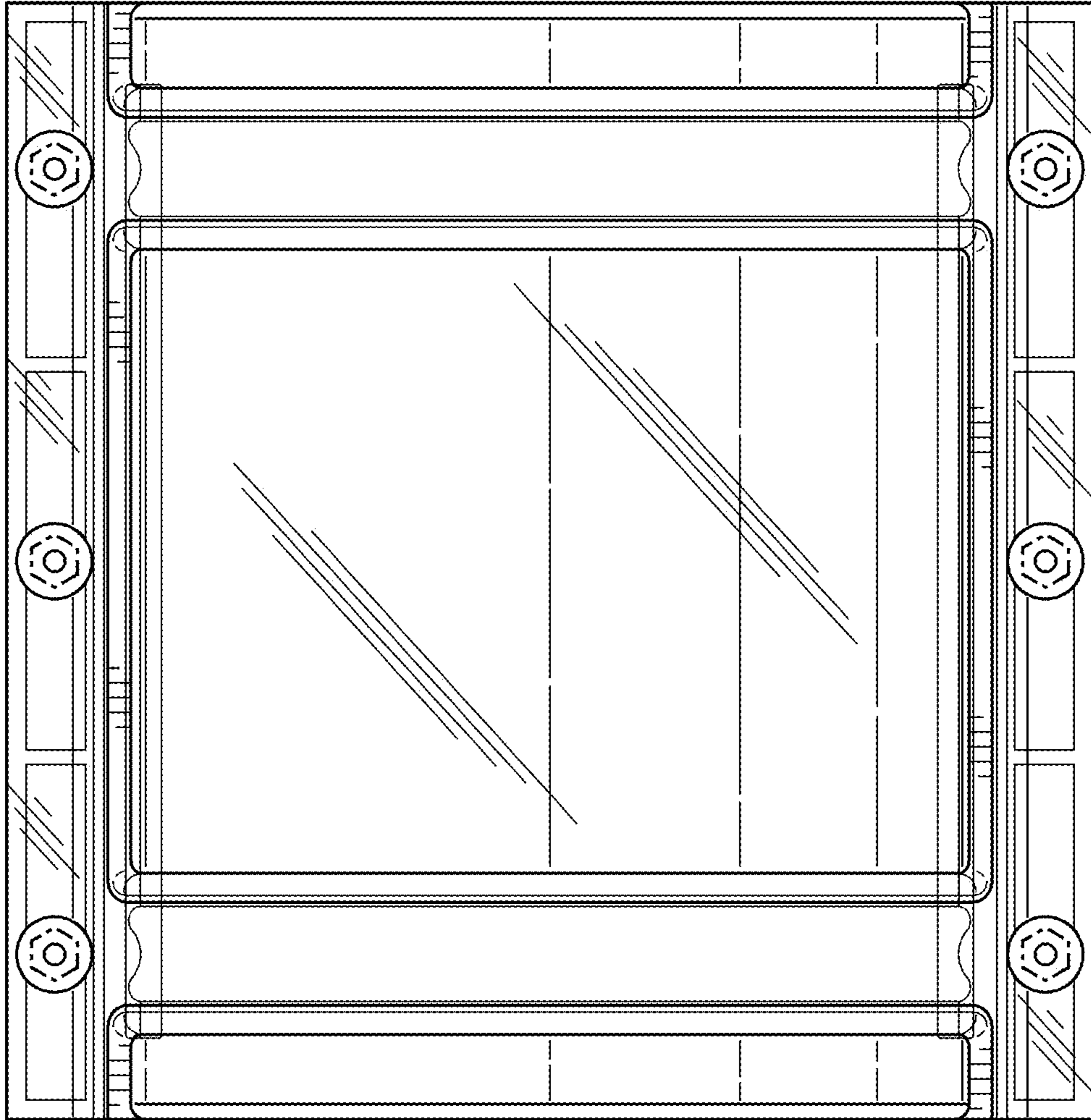


Fig. 3

Fig. 4

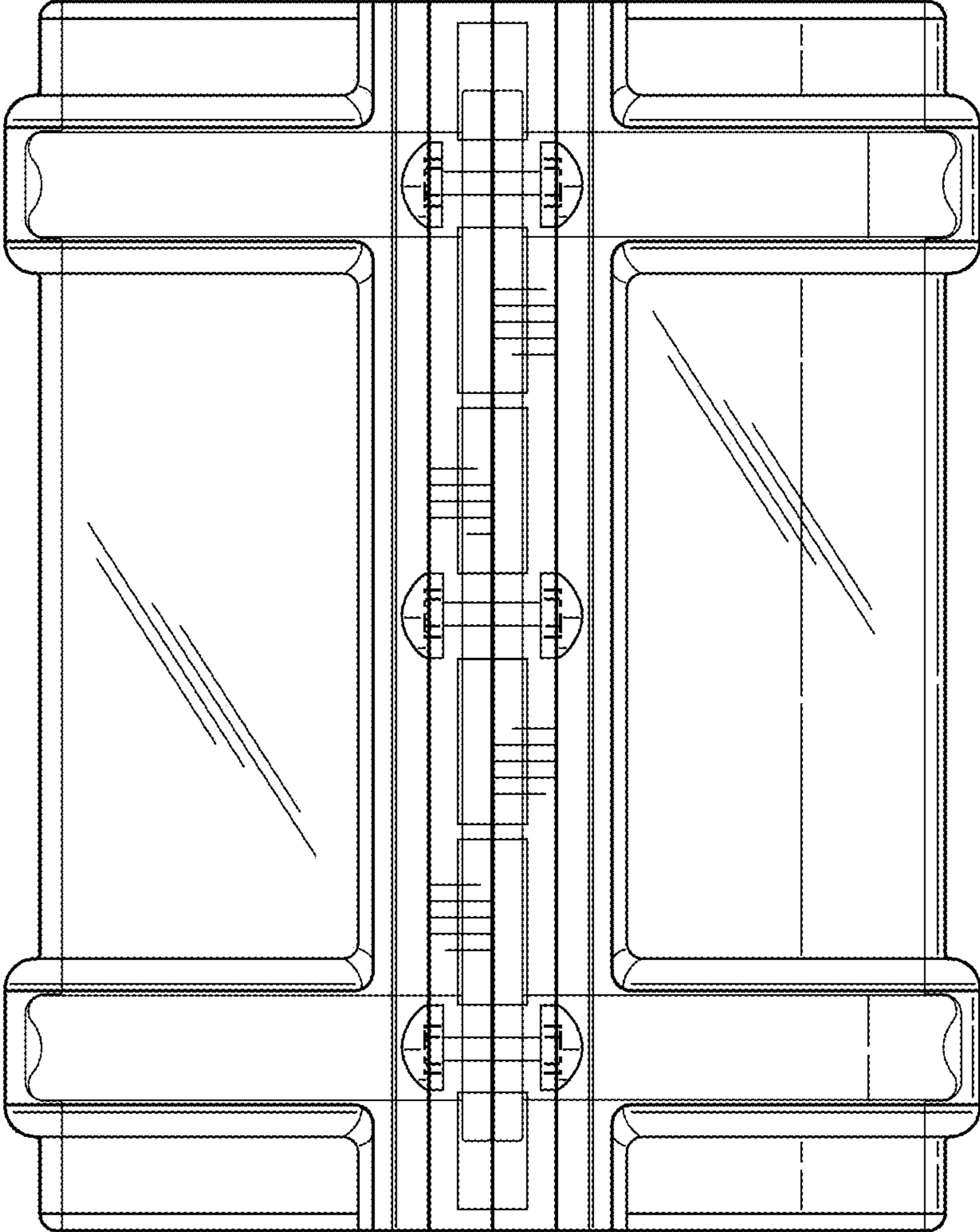


Fig. 6

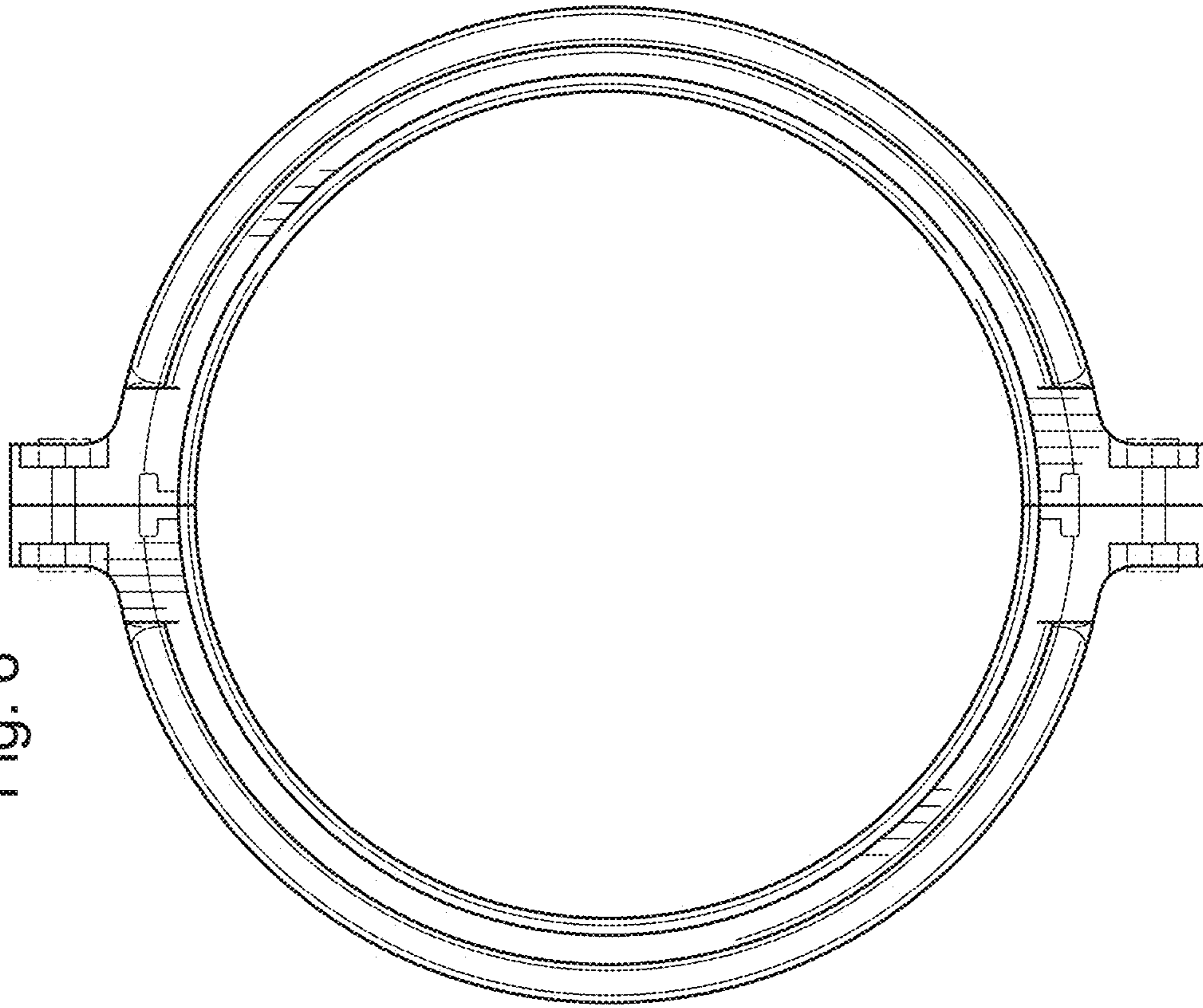


Fig. 5

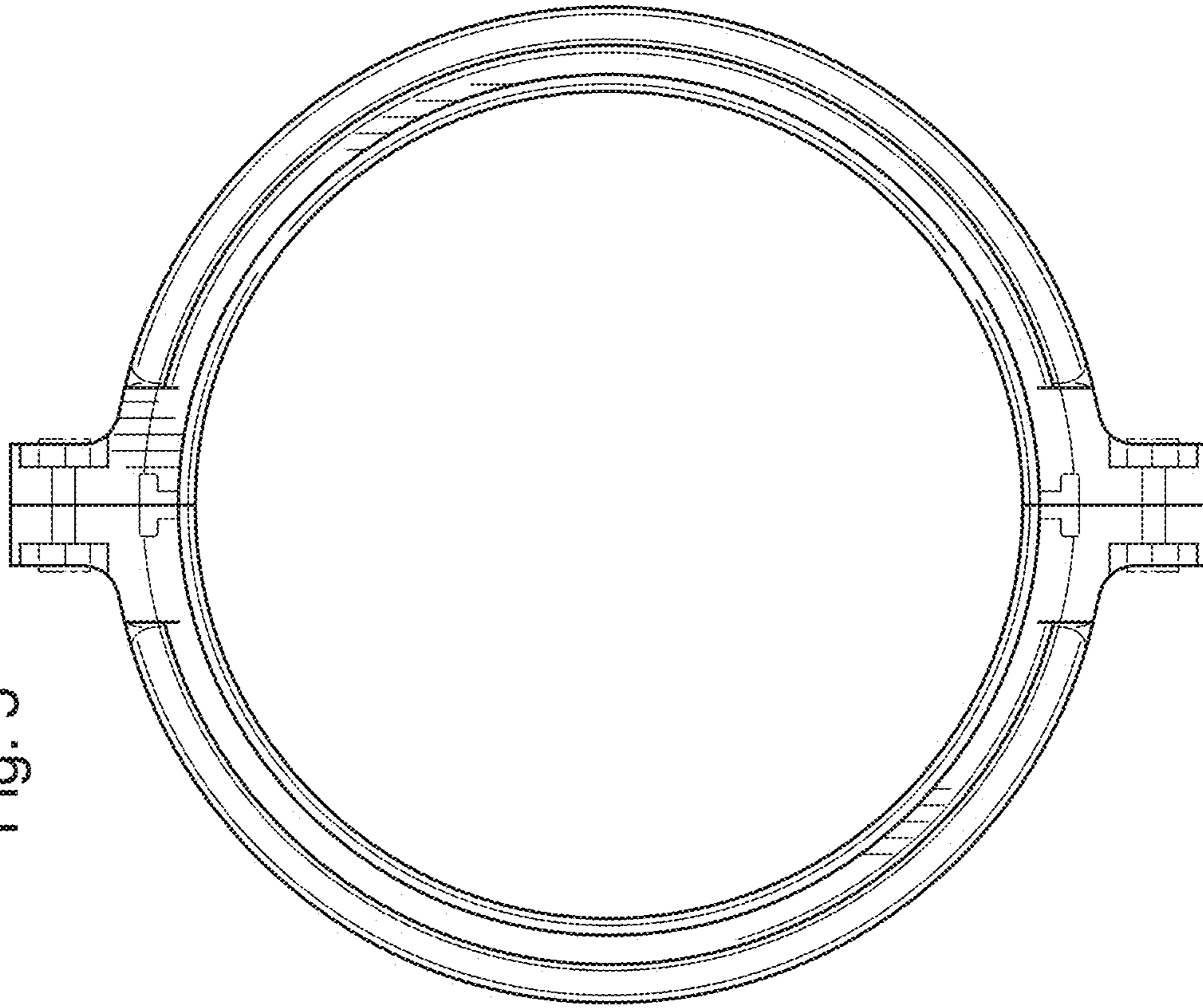


Fig. 7

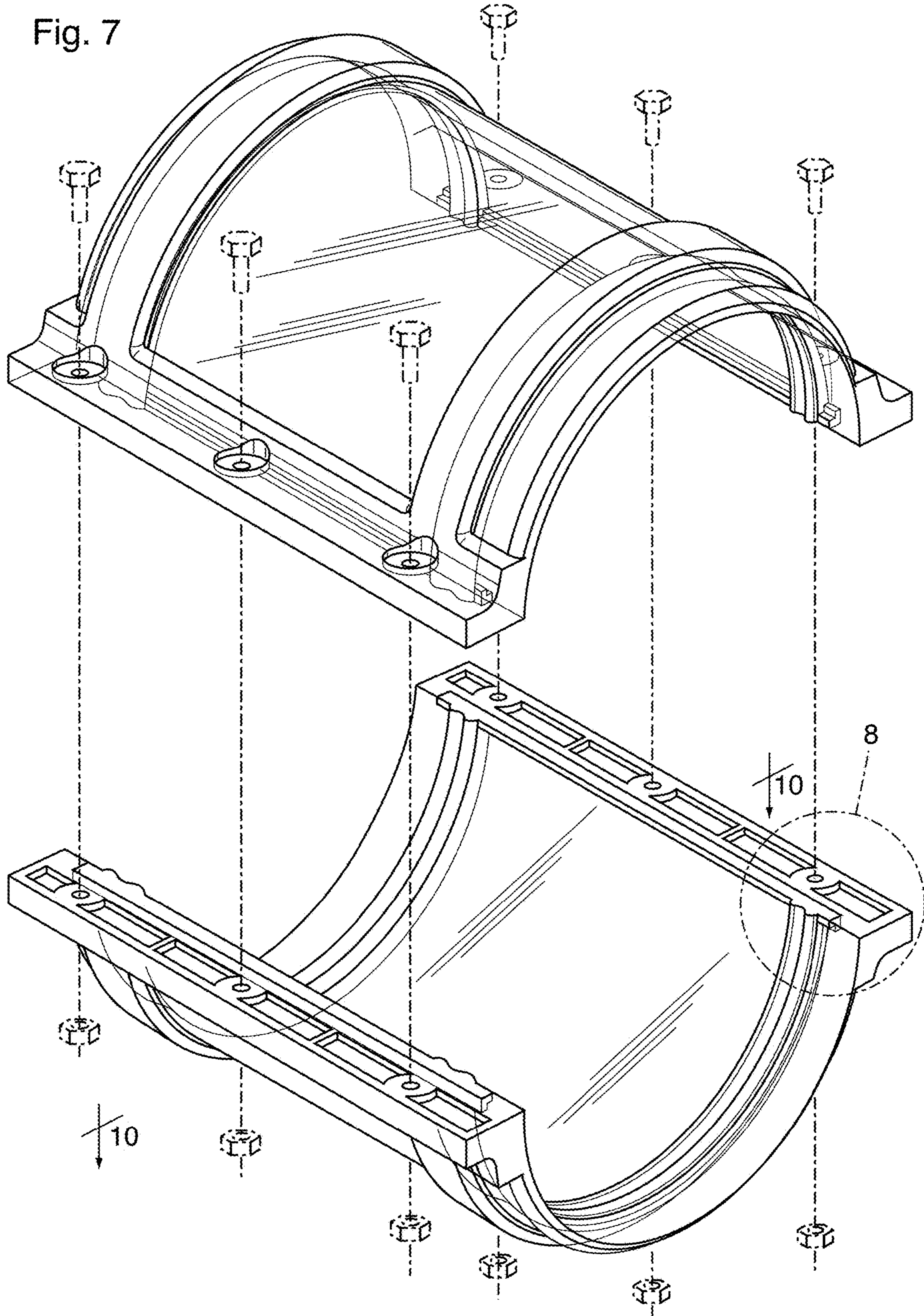


Fig. 8

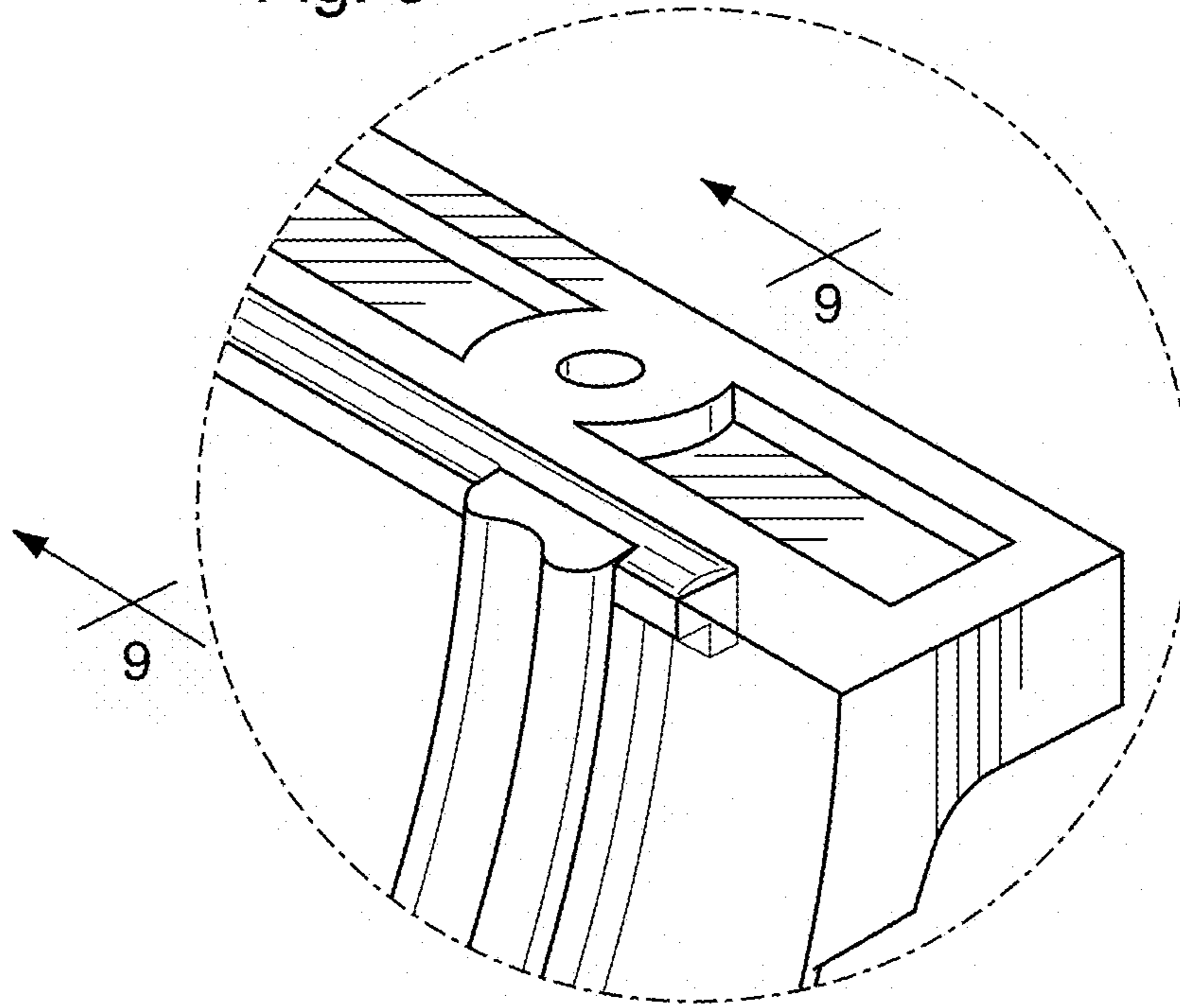
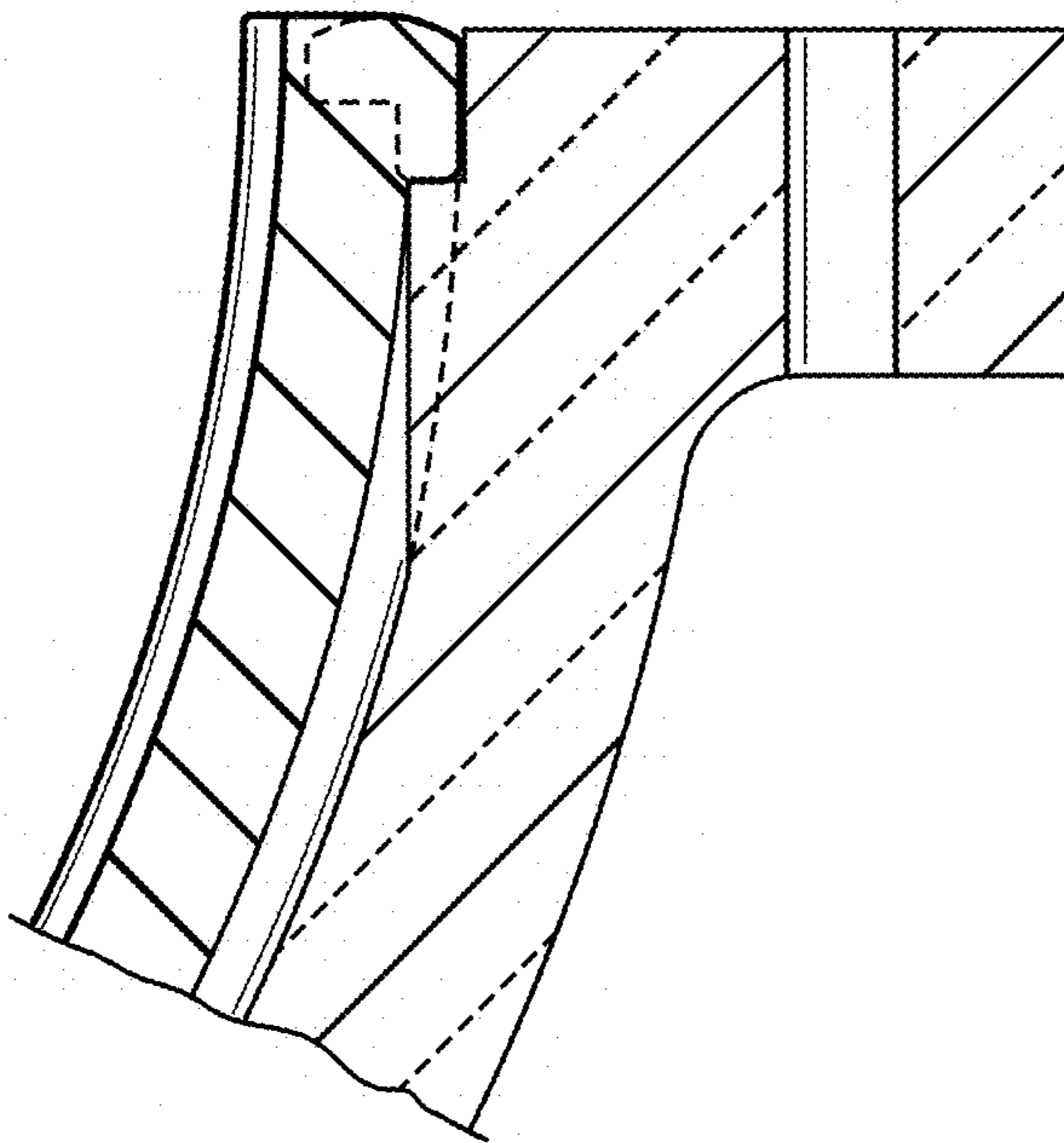


Fig. 9



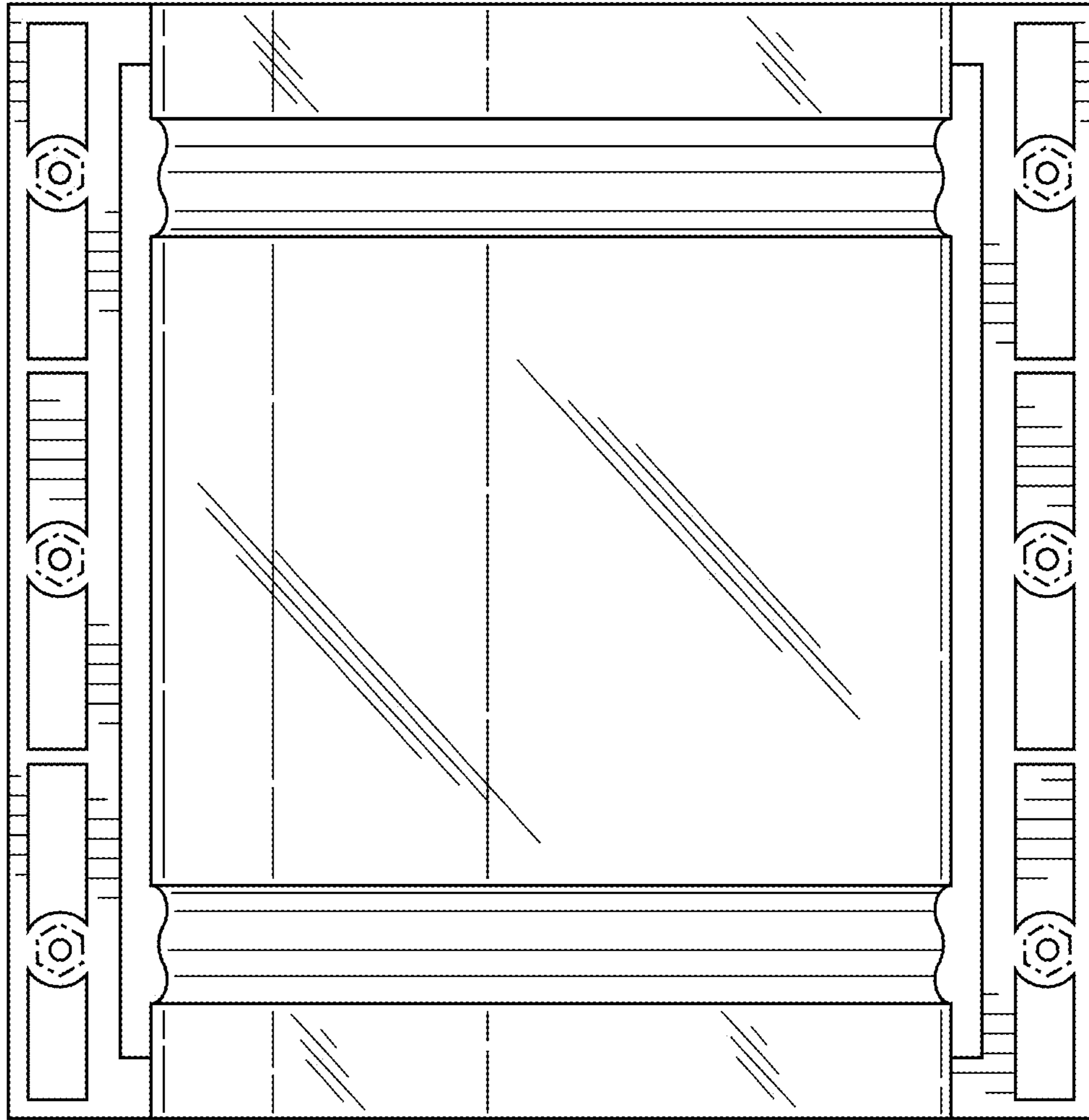


Fig. 10