



US00D882737S

(12) **United States Design Patent**  
**Meyers et al.**

(10) **Patent No.:** **US D882,737 S**  
(45) **Date of Patent:** **\*\* Apr. 28, 2020**

(54) **FAUCET**

(71) Applicant: **Beijing Kohler Ltd.**, Beijing (CN)

(72) Inventors: **Jordan Meyers**, Paradise Valley, AZ (US); **China Ying Lee**, Chicago, IL (US); **Sophie Su**, Shanghai (CN)

(73) Assignee: **BEIJING KOHLER LTD.**, Beijing (CN)

(\*\*) Term: **15 Years**

(21) Appl. No.: **29/701,936**

(22) Filed: **Aug. 15, 2019**

**Related U.S. Application Data**

(62) Division of application No. 29/649,777, filed on Jun. 1, 2018, now Pat. No. Des. 862,649.

(51) **LOC (12) Cl.** ..... **23-01**

(52) **U.S. Cl.**  
USPC ..... **D23/255**

(58) **Field of Classification Search**  
USPC ..... D23/249–250, 252–254, 238–243;  
D8/307–308, 305, 352; D9/681, 556,  
D9/569; D14/440; D5/56, 2, 58, 60  
CPC ..... Y10T 137/9464; Y10T 137/6014; Y10T  
137/6017

See application file for complete search history.

(56) **References Cited**

**U.S. PATENT DOCUMENTS**

D12,819 S	3/1882	Dobbin
D12,832 S	3/1882	Rosenfeld
D18,933 S	2/1889	Harley
D28,305 S	2/1898	Thomas
D87,343 S	7/1932	Hamilton
D92,521 S	6/1934	Cassedy
D102,444 S	12/1936	Petty
D102,942 S	1/1937	Covert

D110,034 S	6/1938	Reynolds
D118,357 S	12/1939	Wechsler
3,185,034 A	5/1965	Youngblood, Jr.
D303,930 S	10/1989	Durand
D597,175 S	7/2009	Kulig
D758,745 S	6/2016	Blakely
D787,642 S	5/2017	Kirar
D799,295 S	10/2017	Huttunen
D811,529 S	2/2018	Schoenherr

(Continued)

*Primary Examiner* — Robert A Delehanty

(74) *Attorney, Agent, or Firm* — Foley & Lardner LLP

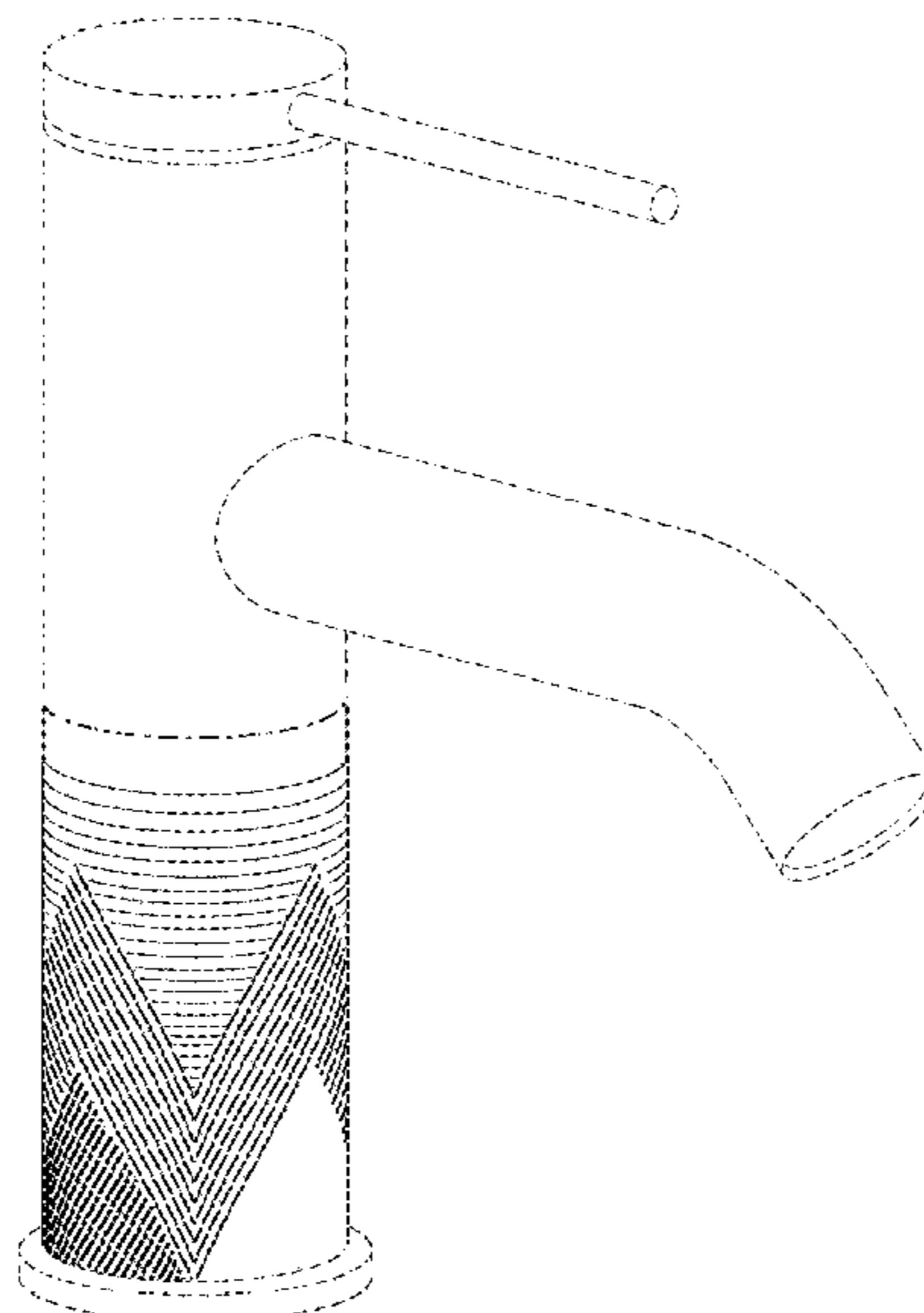
(57) **CLAIM**

We claim the ornamental design for a faucet, as shown and described.

**DESCRIPTION**

FIG. 1 is a perspective view of the claimed design;  
 FIG. 2 is a front view of the claimed design shown in FIG. 1;  
 FIG. 3 is a rear view of the claimed design shown in FIG. 1;  
 FIG. 4 is a side view of the claimed design shown in FIG. 1;  
 FIG. 5 is a side view of the claimed design shown in FIG. 1;  
 FIG. 6 is a top view of the claimed design shown in FIG. 1; and,  
 FIG. 7 is a top view of the claimed design shown in FIG. 1.  
 The ornamental design that is claimed is shown in the drawings as solid lines and surfaces having surface shading. The broken lines in the drawings are for illustrative purposes only and form no part of the claimed design. For example, broken lines formed by equal length dashes show unclaimed portions of the design. Broken lines formed of unequal length dashes (i.e., dash-dot) show boundaries between either claimed and unclaimed portions of the design or between unclaimed and unclaimed portions of the design.

**1 Claim, 5 Drawing Sheets**

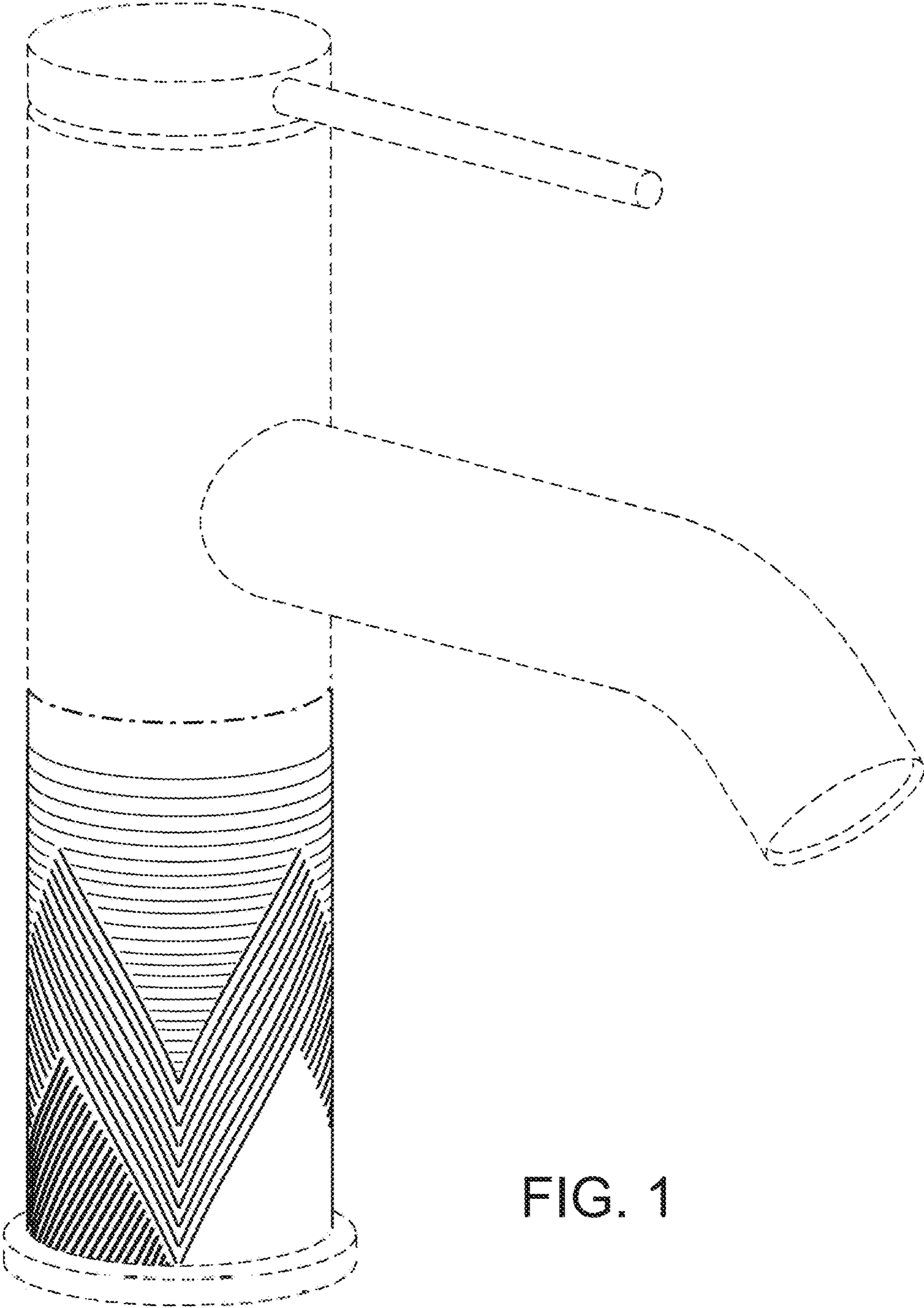


(56)

**References Cited**

U.S. PATENT DOCUMENTS

D823,989 S	7/2018	Soulier
D824,141 S	7/2018	Binger
D827,779 S	9/2018	Soulier
D828,908 S	9/2018	Merki
D836,296 S	12/2018	Sickert



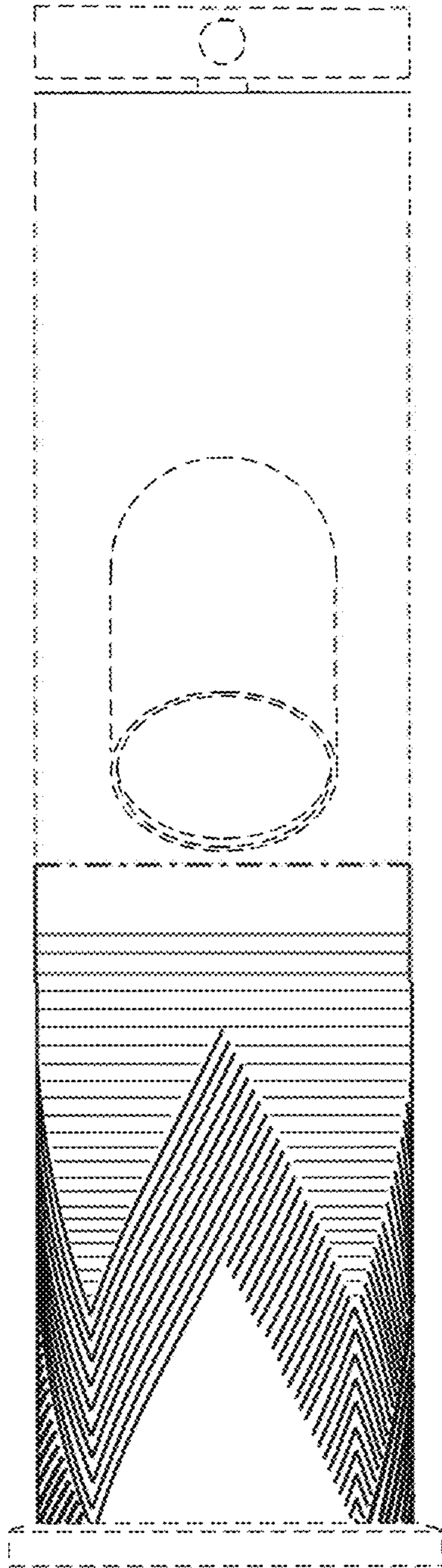


FIG. 2

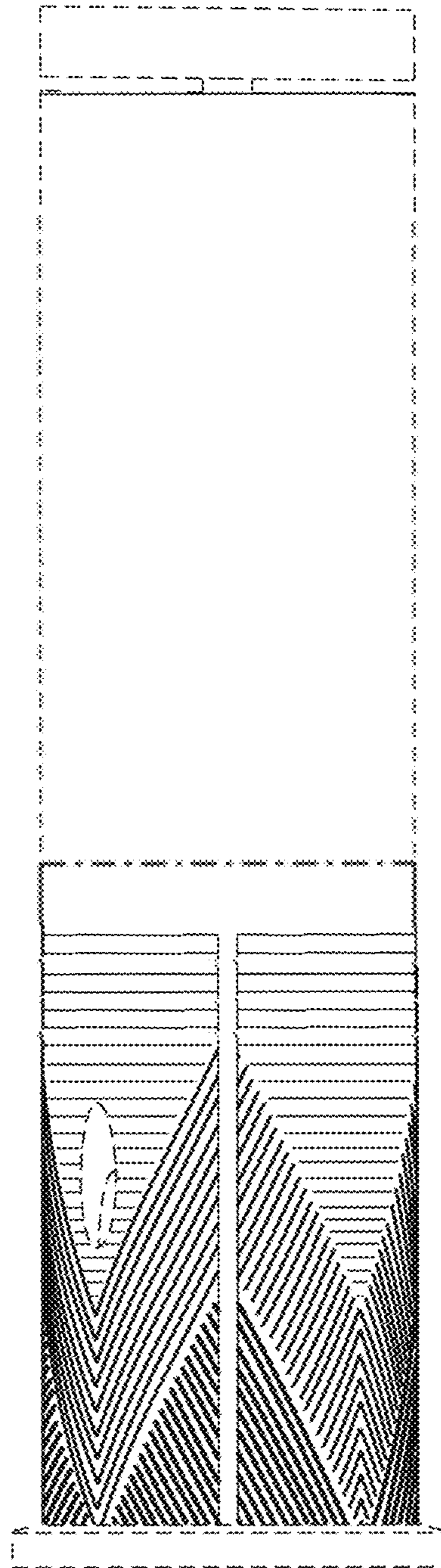


FIG. 3

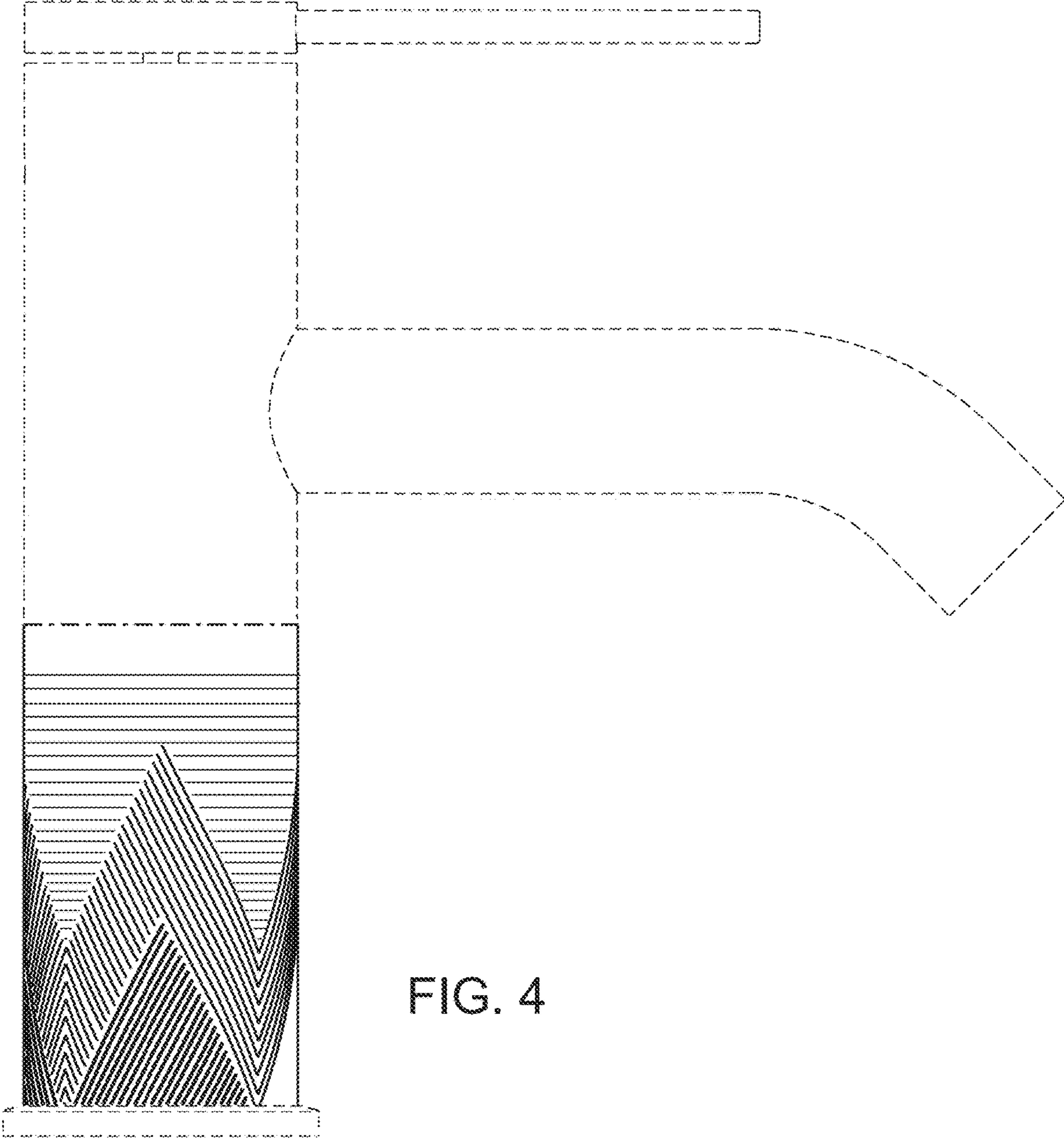


FIG. 4

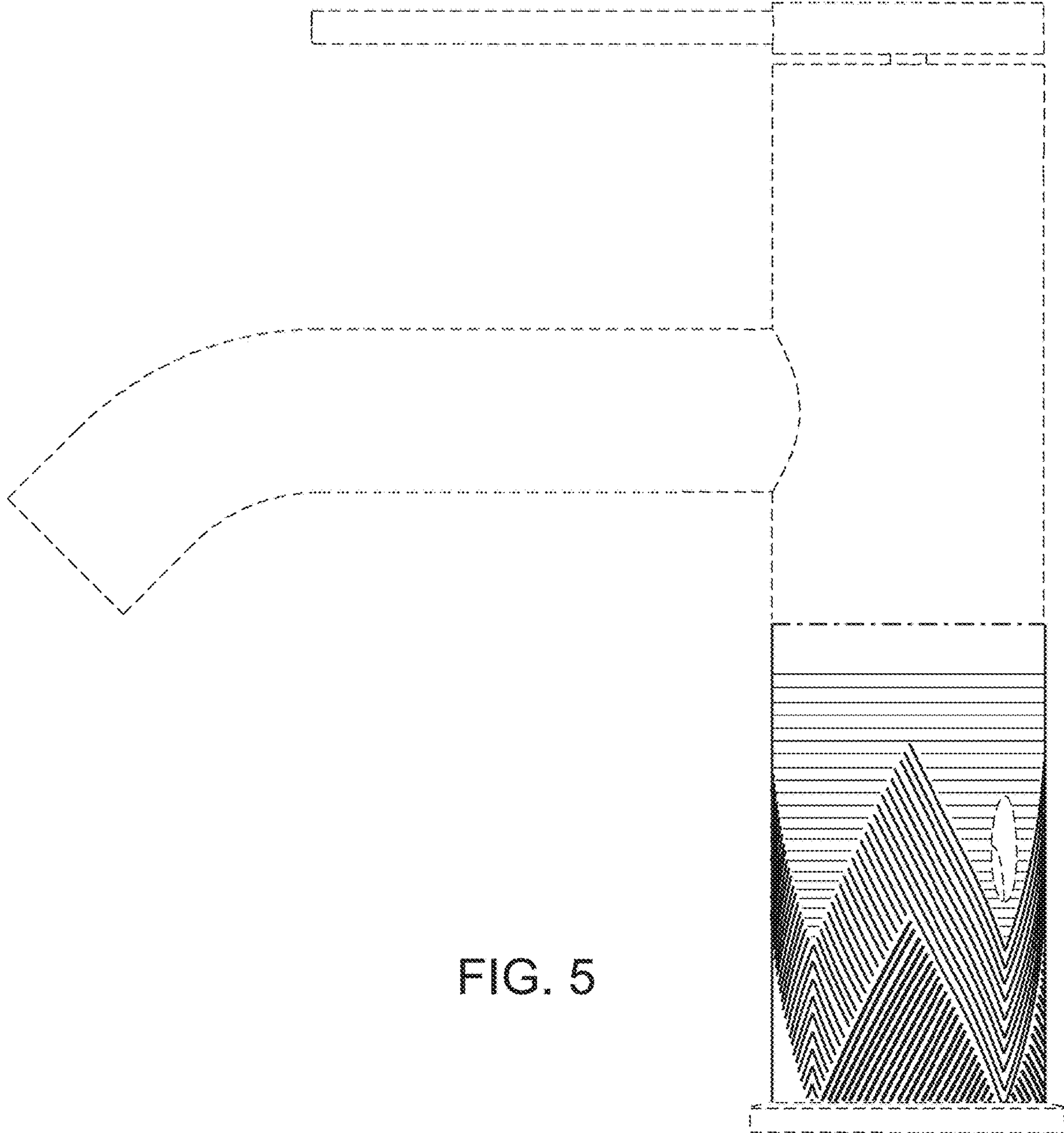


FIG. 5



FIG. 6



FIG. 7