



US00D882736S

(12) **United States Design Patent**
Eads

(10) **Patent No.:** **US D882,736 S**

(45) **Date of Patent:** **** Apr. 28, 2020**

(54) **FAUCET HANDLE**

(71) Applicant: **DELTA FAUCET COMPANY,**
Indianapolis, IN (US)

(72) Inventor: **Thad Eads,** Urbana, IN (US)

(73) Assignee: **DELTA FAUCET COMPANY,**
Indianapolis, IN (US)

(**) Term: **15 Years**

(21) Appl. No.: **29/642,203**

(22) Filed: **Mar. 28, 2018**

(51) **LOC (12) Cl.** **23-01**

(52) **U.S. Cl.**
USPC **D23/252**

(58) **Field of Classification Search**
USPC D23/238, 239, 240, 241, 242, 243, 249,
D23/250, 252, 253; D8/350, 352, 307
CPC Y10T 137/9464; Y10T 137/6014; Y10T
137/776; Y10T 137/0491; E03C 1/02;
E03C 1/04; E03C 1/0412
See application file for complete search history.

(56) **References Cited**

U.S. PATENT DOCUMENTS

| | | | | | |
|------------|---|---------|-----------|-------|---------|
| D310,258 S | * | 8/1990 | Strignano | | D23/242 |
| D325,427 S | * | 4/1992 | Paul | | D23/252 |
| D351,457 S | * | 10/1994 | Paul | | D23/252 |
| D512,488 S | * | 12/2005 | Kulig | | D23/252 |

| | | | | | |
|------------|---|---------|------------|-------|---------|
| D515,671 S | * | 2/2006 | Toyohara | | D23/241 |
| D532,086 S | * | 11/2006 | Haug | | D23/252 |
| D576,712 S | * | 9/2008 | Urquiola | | D23/250 |
| D740,397 S | * | 10/2015 | Bahler | | D23/252 |
| D786,578 S | * | 5/2017 | Eads | | D6/527 |
| D800,268 S | * | 10/2017 | Garland | | D23/252 |
| D813,990 S | * | 3/2018 | Schoenherr | | D23/242 |
| D816,805 S | * | 5/2018 | Soulier | | D23/253 |
| D827,782 S | * | 9/2018 | Soulier | | D23/252 |

* cited by examiner

Primary Examiner — Sheryl Lane

Assistant Examiner — Samantha N Wood

(74) *Attorney, Agent, or Firm* — Edgar A. Zarins; Nirav D. Parikh

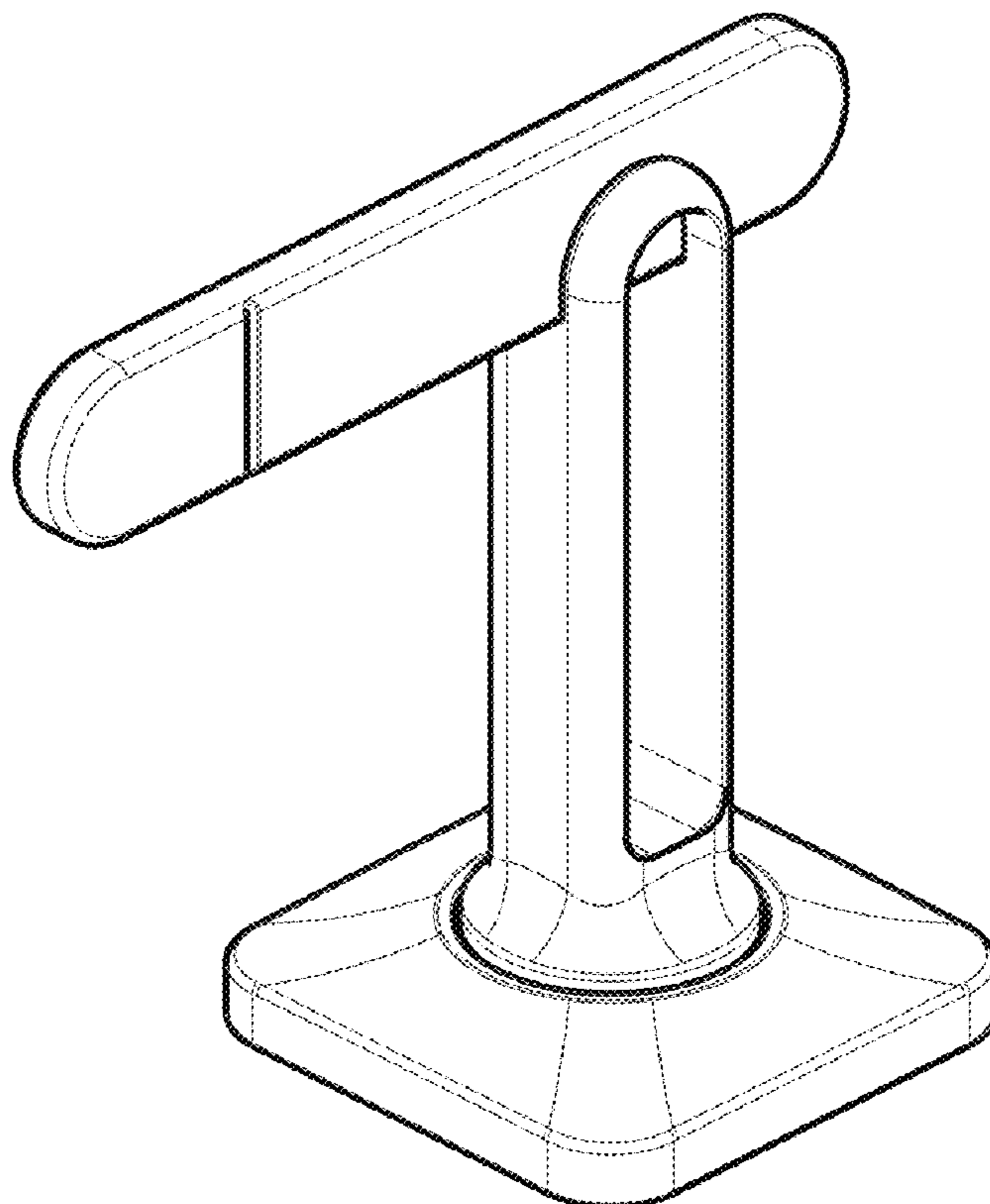
(57) **CLAIM**

The ornamental design for a faucet handle, as shown and described.

DESCRIPTION

FIG. 1 is a first perspective view of a faucet handle showing my new design;
FIG. 2 is a second perspective view thereof;
FIG. 3 is a first side view thereof;
FIG. 4 is a left side view thereof;
FIG. 5 is a second side view thereof;
FIG. 6 is a right side view thereof; and,
FIG. 7 is a top plan view thereof.

1 Claim, 4 Drawing Sheets



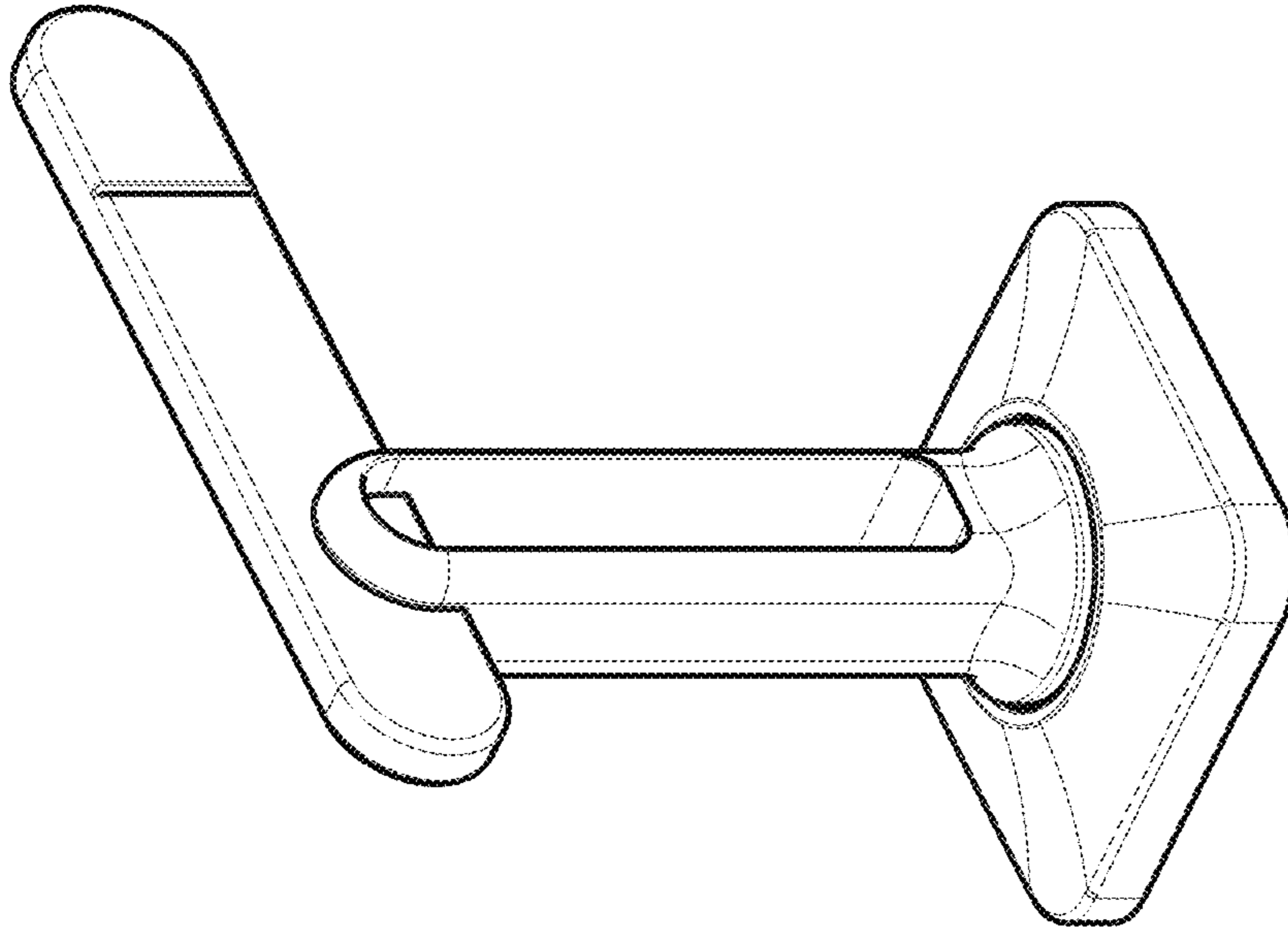


Fig. 2

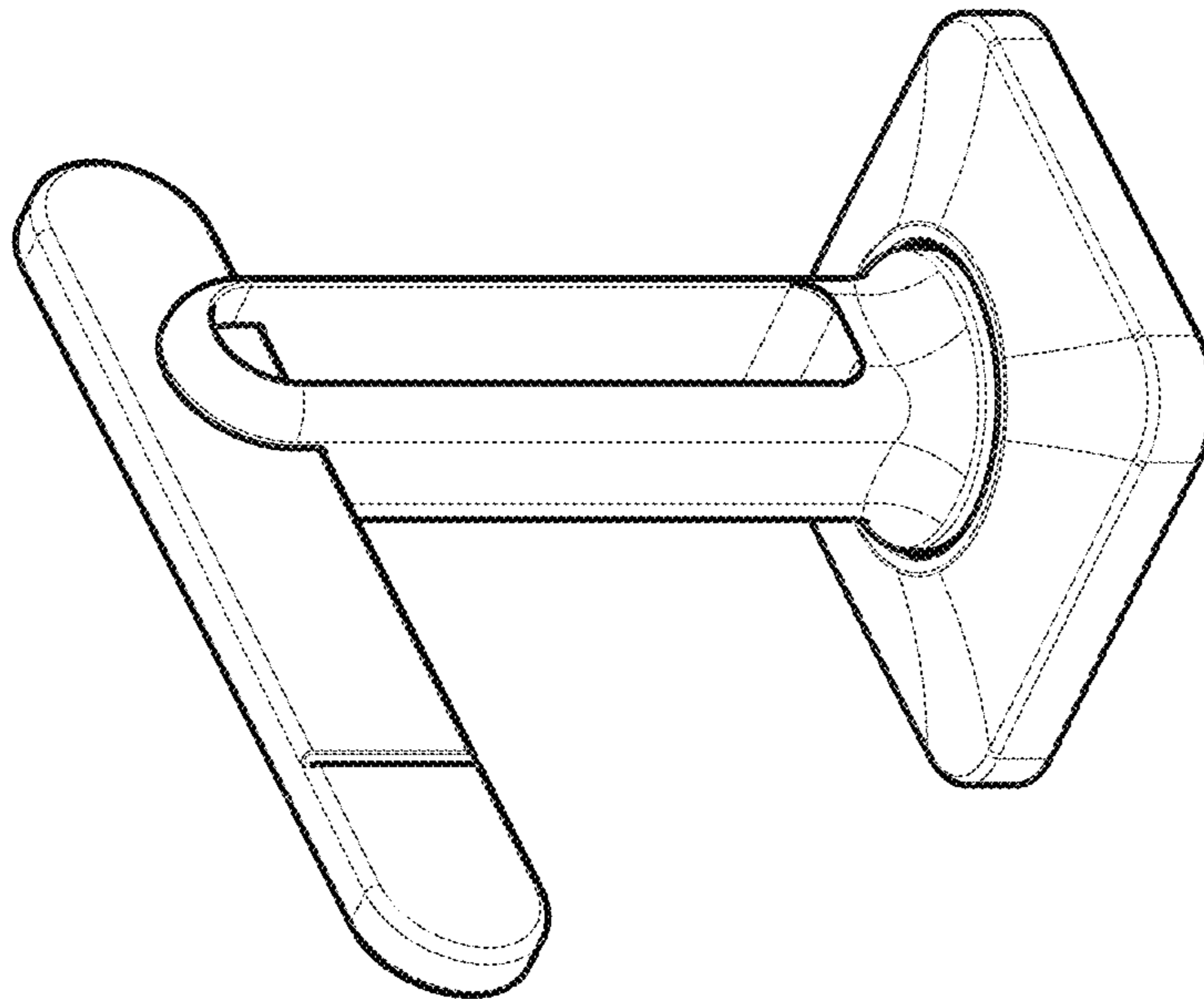


Fig. 1

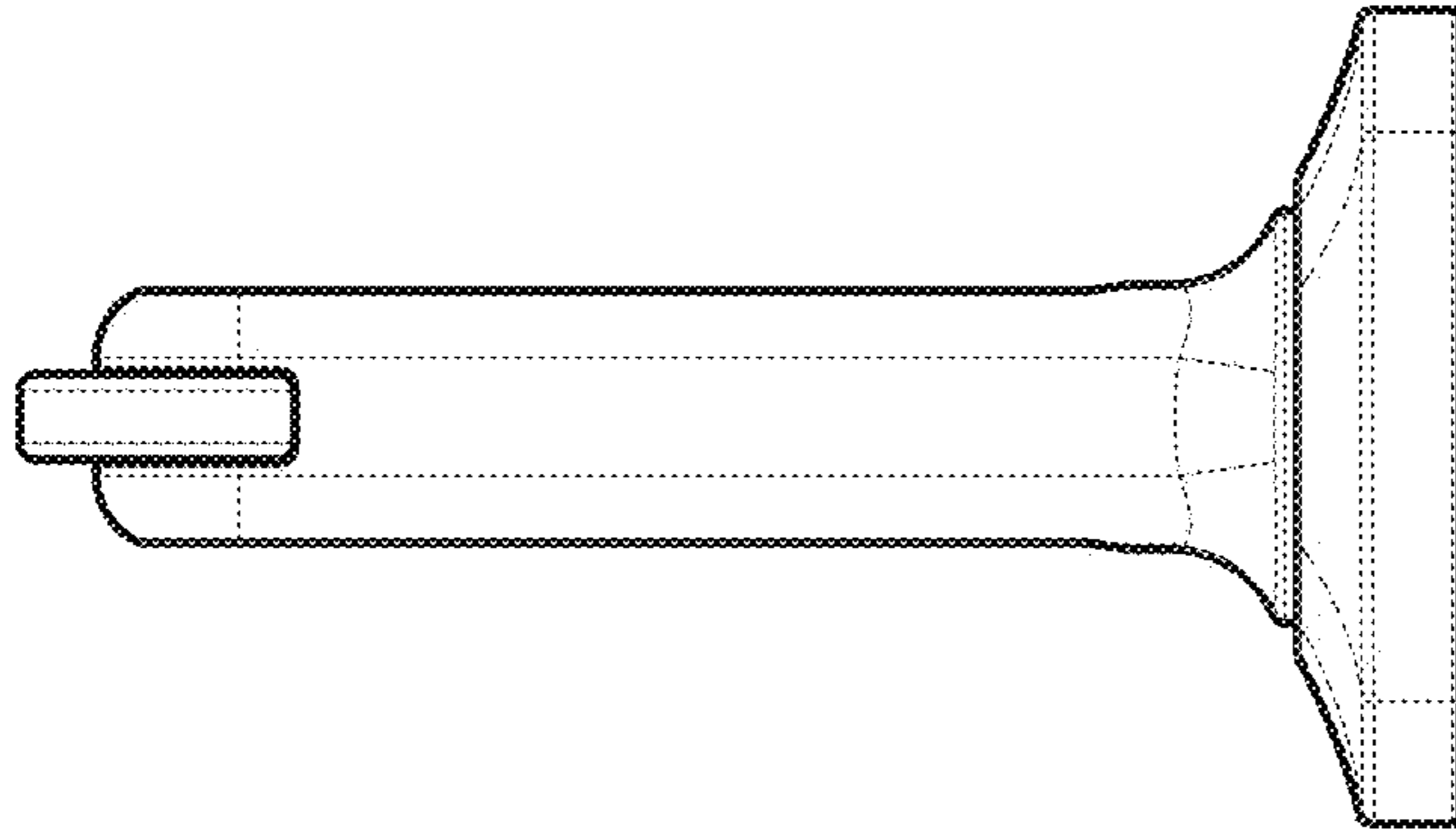


Fig. 4

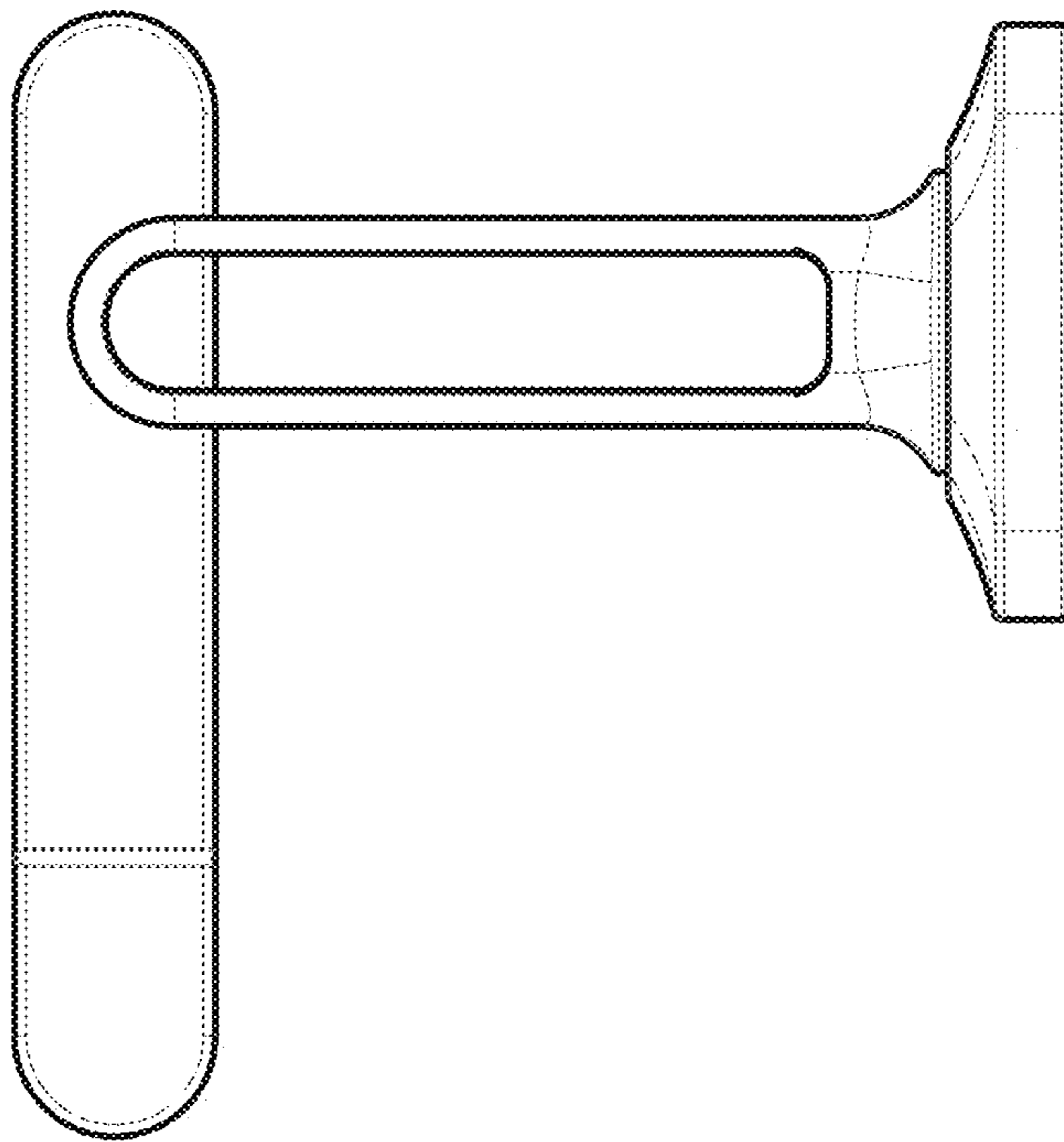


Fig. 3

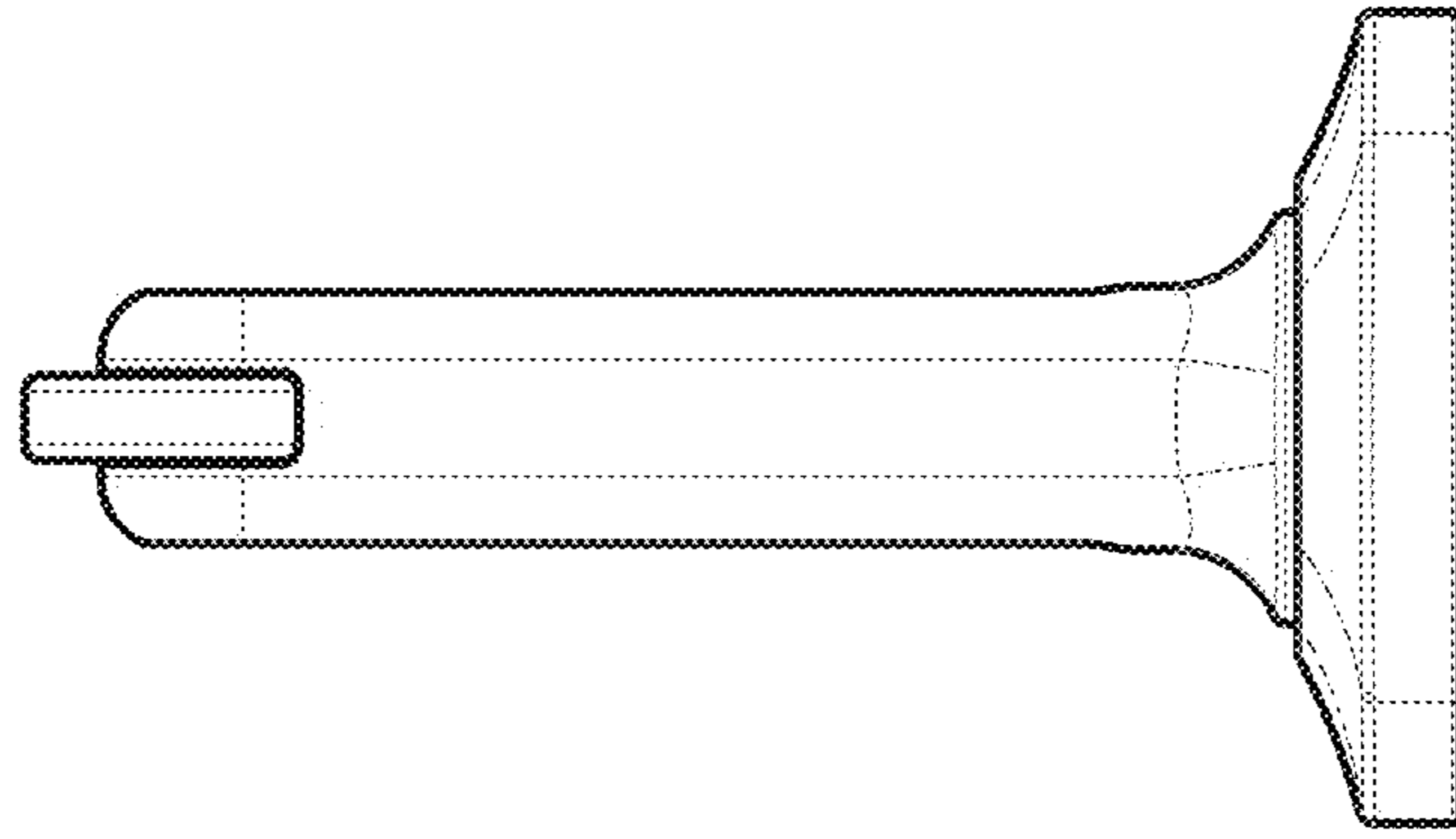


Fig. 6

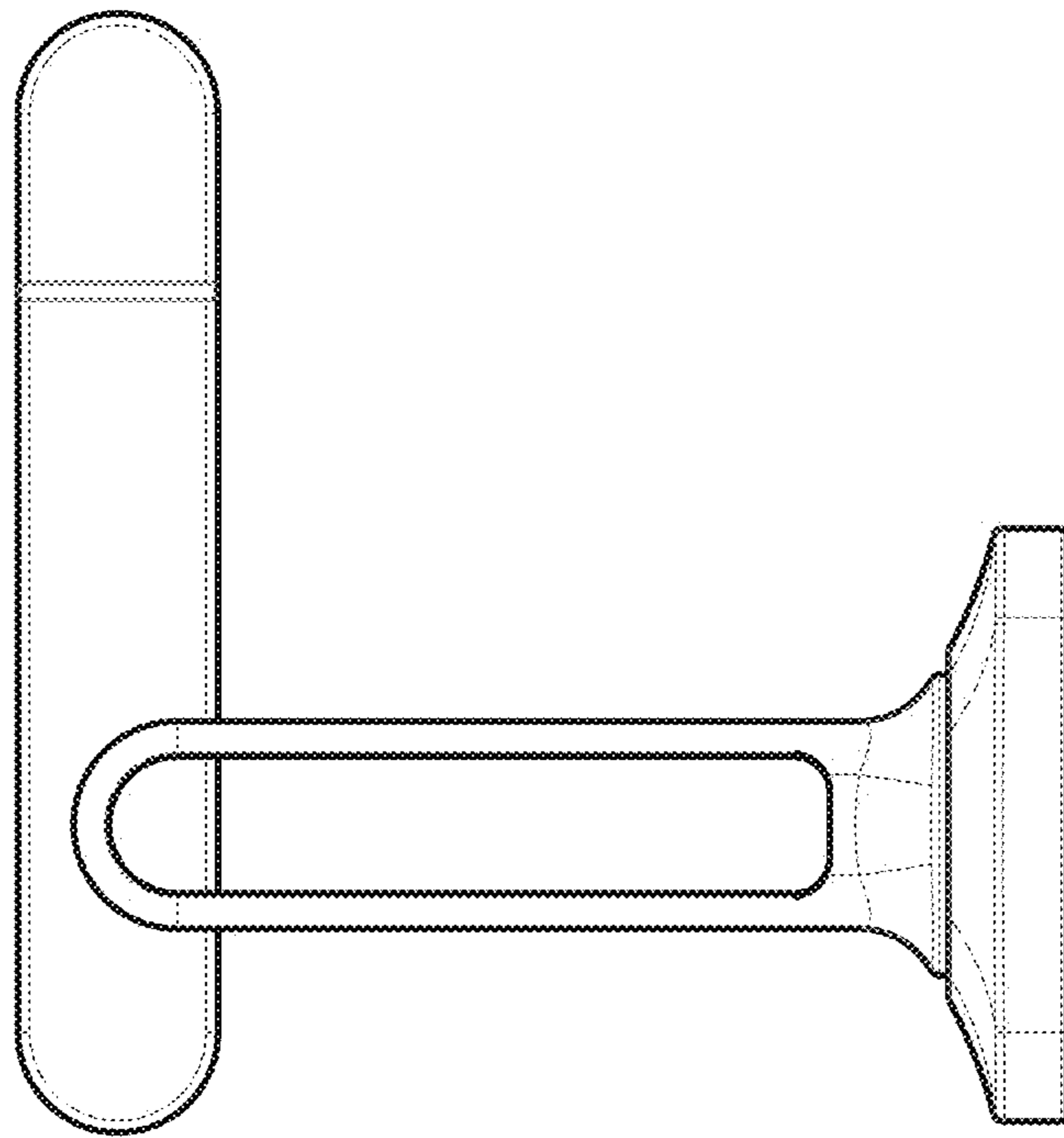


Fig. 5

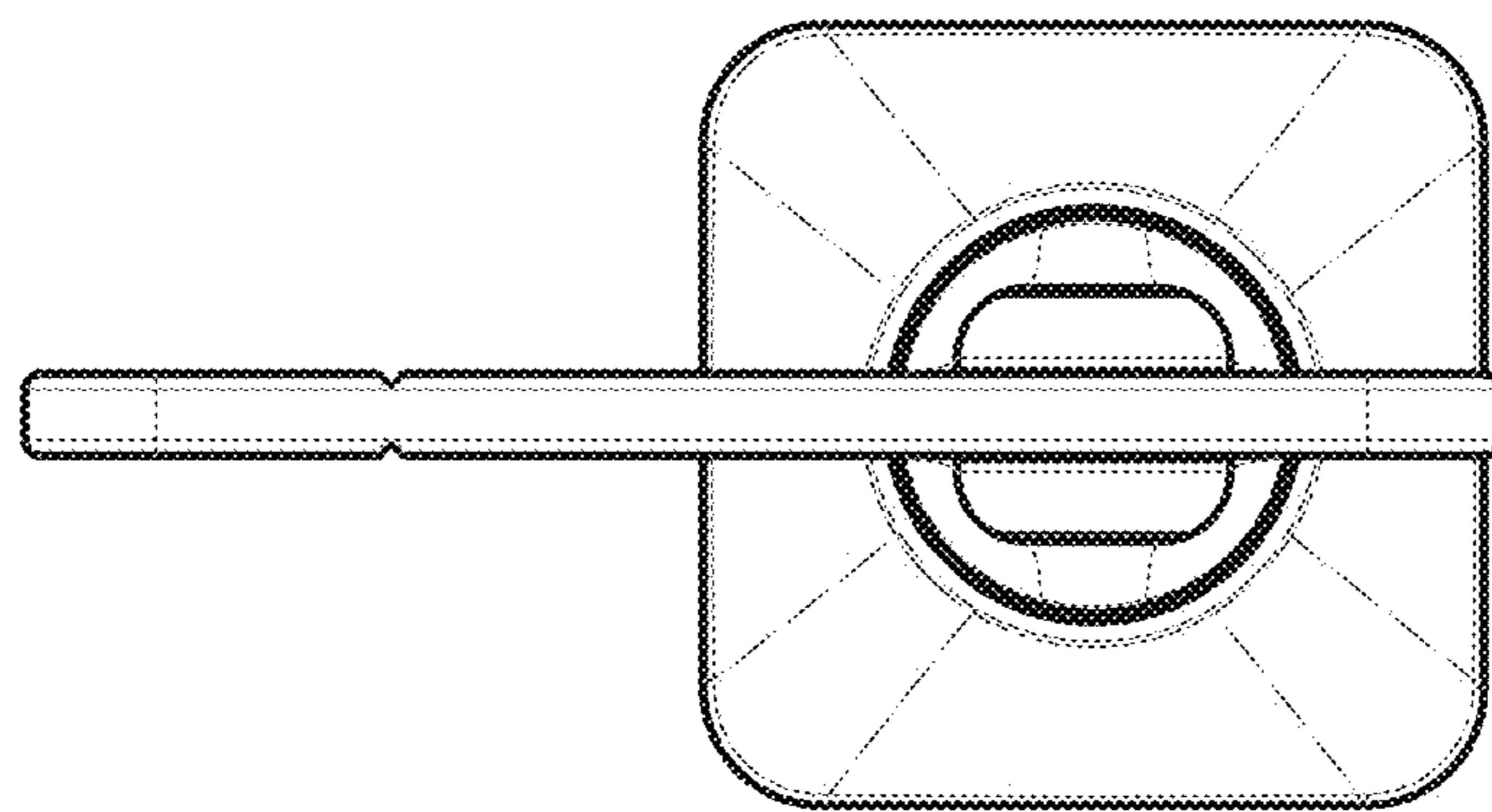


Fig. 7