



US00D882733S

(12) **United States Design Patent**
Hansen

(10) **Patent No.:** **US D882,733 S**

(45) **Date of Patent:** **** Apr. 28, 2020**

(54) **AIR DELIVERY MANIFOLD**

(71) Applicant: **Special Projects Operations, Inc.**,
Belcamp, MD (US)

(72) Inventor: **Brennan E. Hansen**, Chesapeake, VA
(US)

(73) Assignee: **Special Projects Operations, Inc.**,
Belcamp, MD (US)

(**) Term: **15 Years**

(21) Appl. No.: **29/664,754**

(22) Filed: **Sep. 27, 2018**

(51) **LOC (12) Cl.** **23-01**

(52) **U.S. Cl.**
USPC **D23/233**

(58) **Field of Classification Search**
USPC D15/7-9; D23/231, 232, 235, 233, 259
CPC A62B 9/02; A62B 9/04
See application file for complete search history.

(56) **References Cited**

U.S. PATENT DOCUMENTS

D236,724 S *	9/1975	Scheffler et al.	D23/263
D240,427 S *	7/1976	Ikonen et al.	D23/263
D241,756 S *	10/1976	Gray	D23/259
4,264,036 A *	4/1981	Moore	E03B 9/20 137/883
D273,804 S *	5/1984	Fueloep	D13/102
D305,147 S *	12/1989	Samford	D23/263
D343,888 S *	2/1994	Rupp	D23/259
D354,799 S *	1/1995	Self	D23/259
D360,017 S *	7/1995	Lopez	D23/259
5,676,589 A *	10/1997	Ashworth	B24C 3/12 451/101

D489,794 S *	5/2004	Storer	D23/233
7,766,038 B2 *	8/2010	Geddes	E04H 4/14 137/561 A
8,814,067 B2 *	8/2014	Freers	F26B 21/004 239/548
D728,755 S *	5/2015	Nasu	D23/266
D735,307 S *	7/2015	Magana	D23/323
9,375,679 B2 *	6/2016	Adams	F16L 41/005
D767,736 S *	9/2016	Nasu	D23/266
9,557,108 B2 *	1/2017	Freers	F26B 21/004
2019/0091497 A1 *	3/2019	Hansen	A62B 9/02

* cited by examiner

Primary Examiner — Mitchell I. Siegel

(74) *Attorney, Agent, or Firm* — Whiteford, Taylor &
Preston, LLP; Gregory M. Stone

(57) **CLAIM**

The ornamental design for an air delivery manifold, as shown and described.

DESCRIPTION

FIG. 1 is a top perspective view of an air delivery manifold showing the new design;

FIG. 2 is a bottom perspective view thereof;

FIG. 3 is a top plan view thereof;

FIG. 4 is a bottom plan view thereof;

FIG. 5 is a front view thereof;

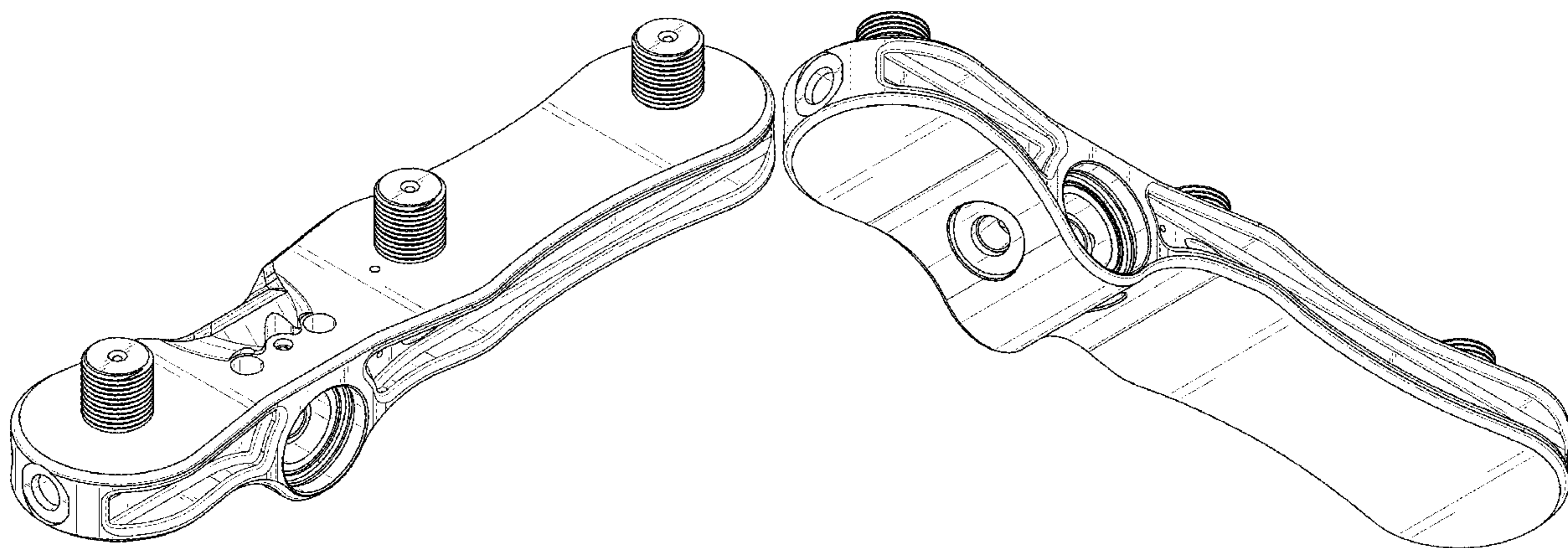
FIG. 6 is a rear view thereof;

FIG. 7 is a right side view thereof; and,

FIG. 8 is a left side view thereof.

The broken lines in the Figures are included for the purpose of illustrating environment and form no part of the claimed design.

1 Claim, 4 Drawing Sheets



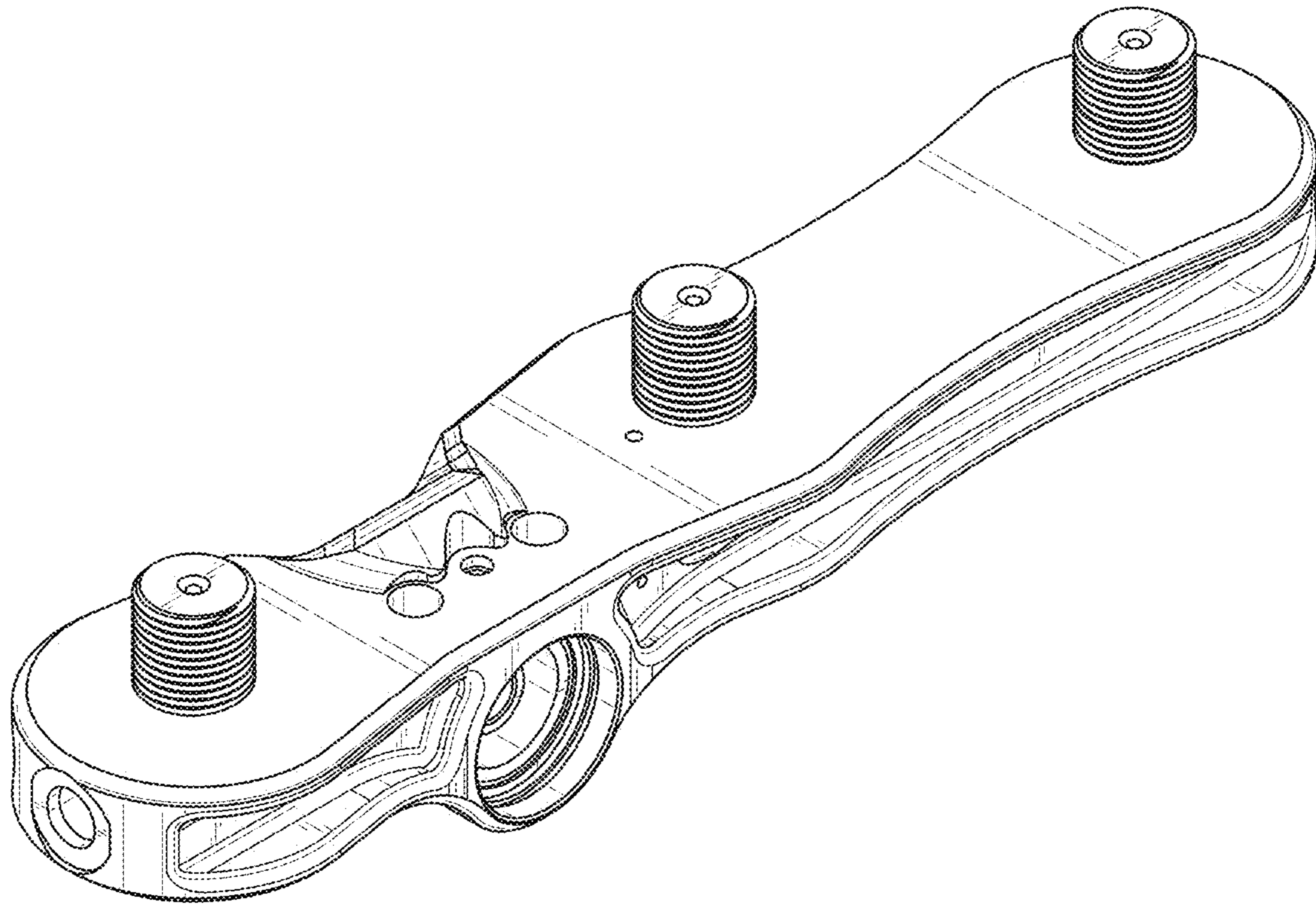


FIG. 1

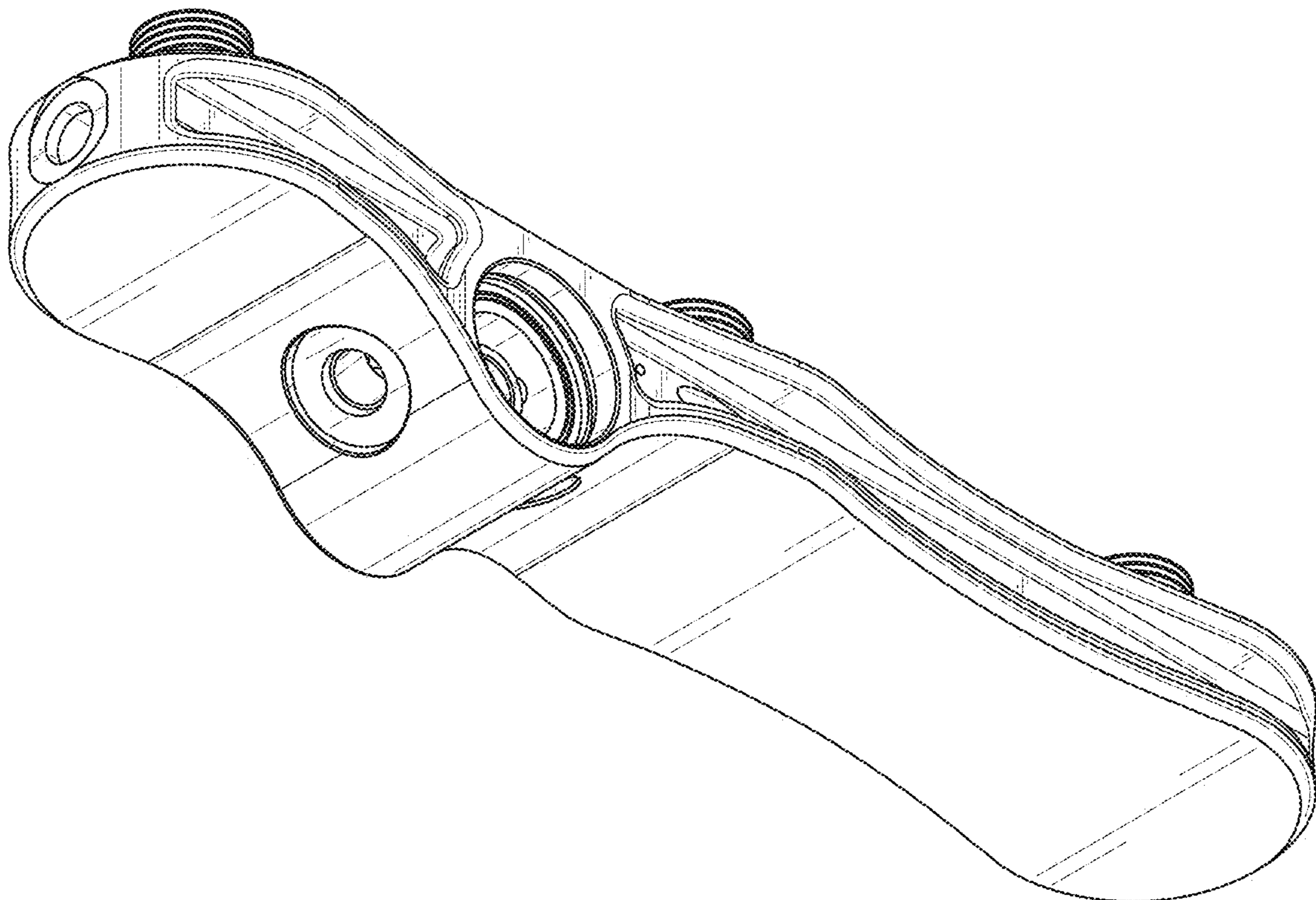


FIG. 2

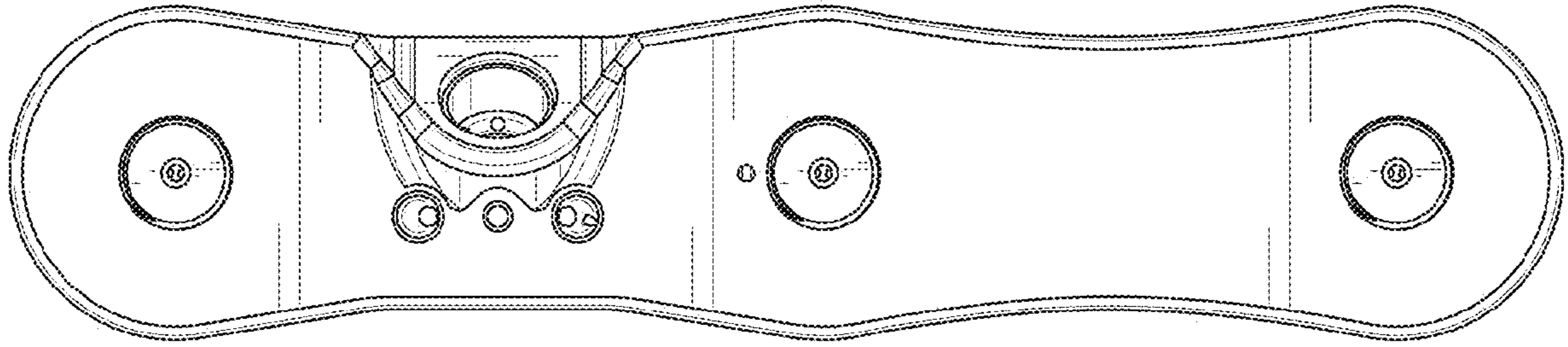


FIG. 3

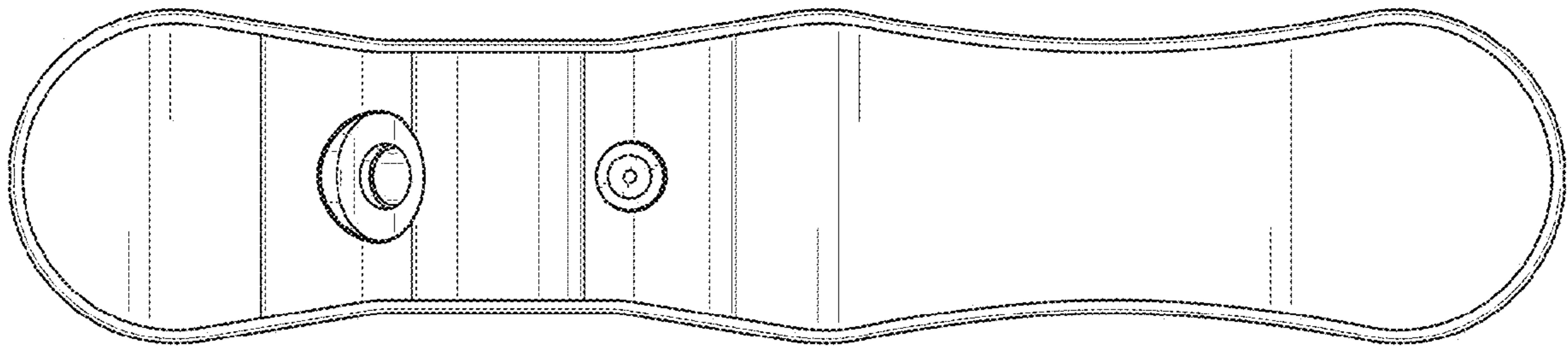


FIG. 4

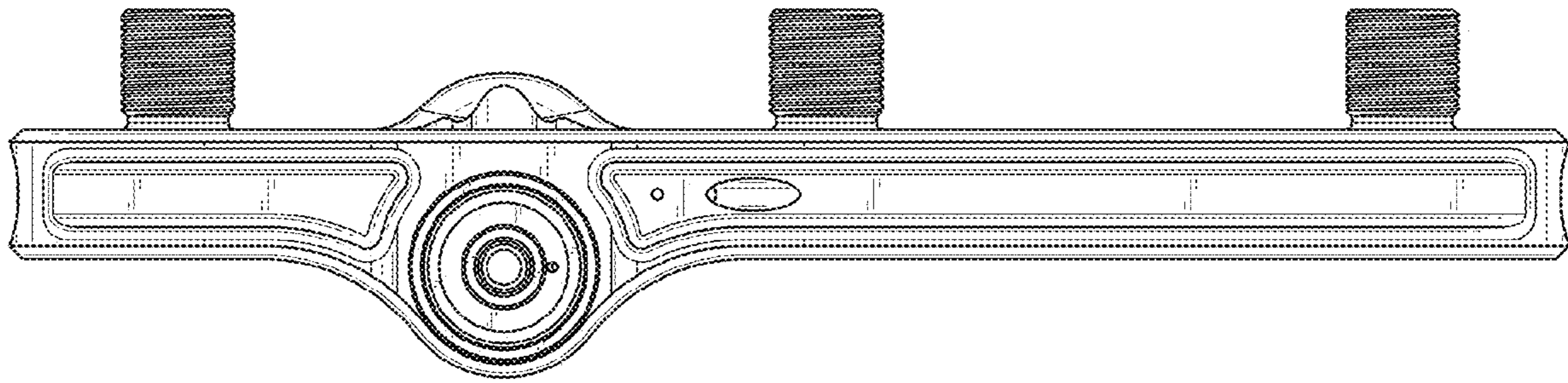


FIG. 5

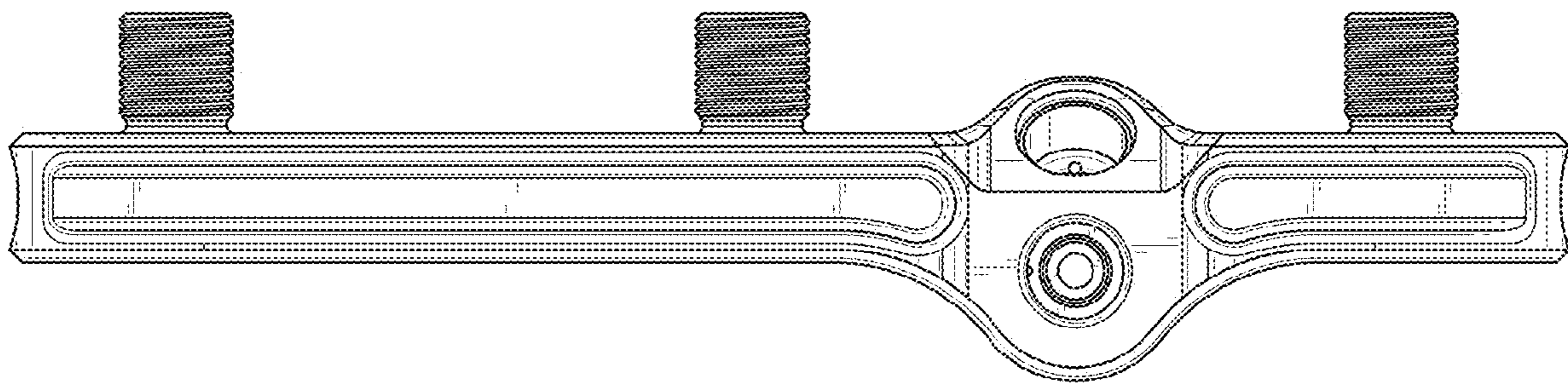


FIG. 6

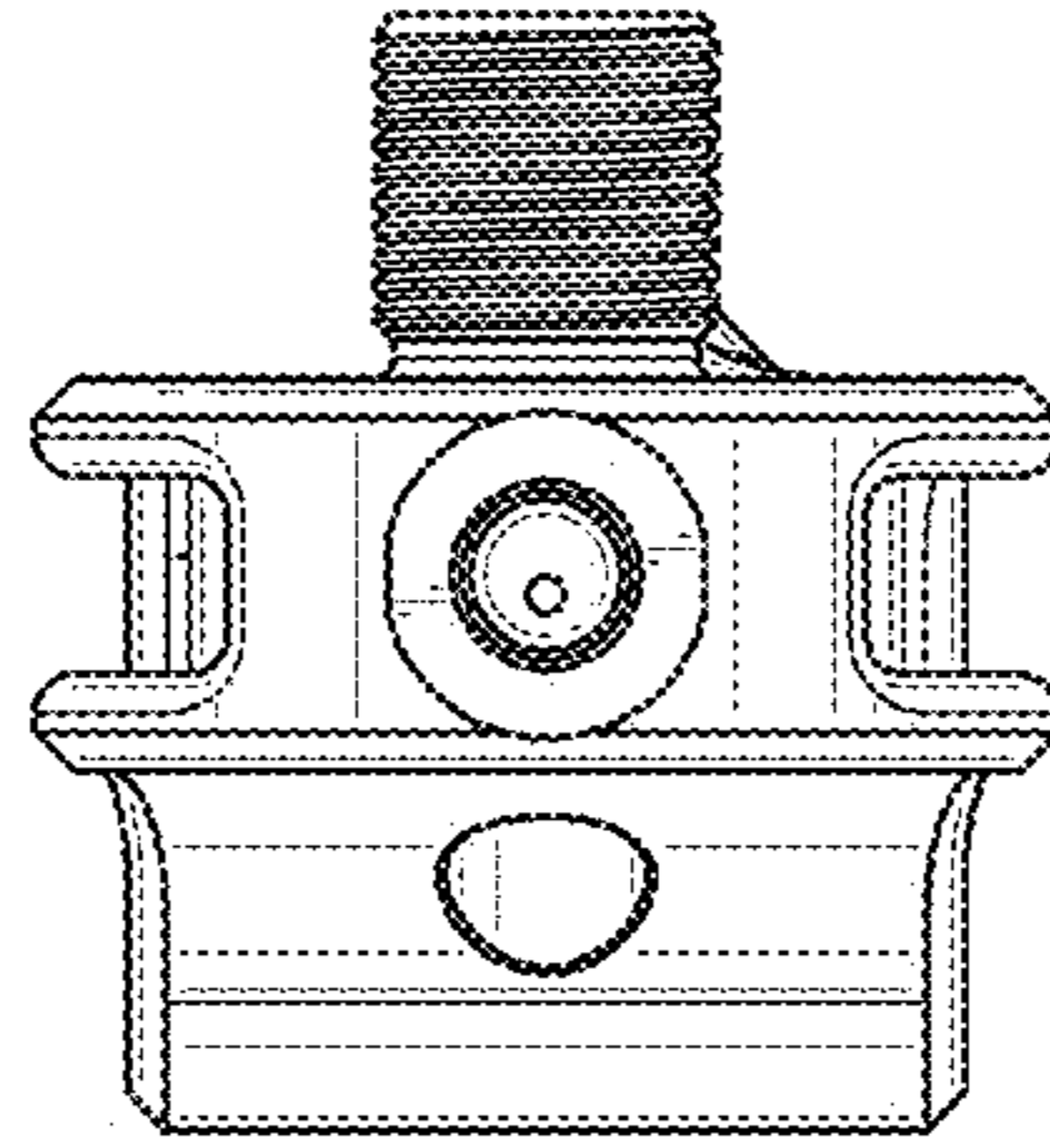


FIG. 7

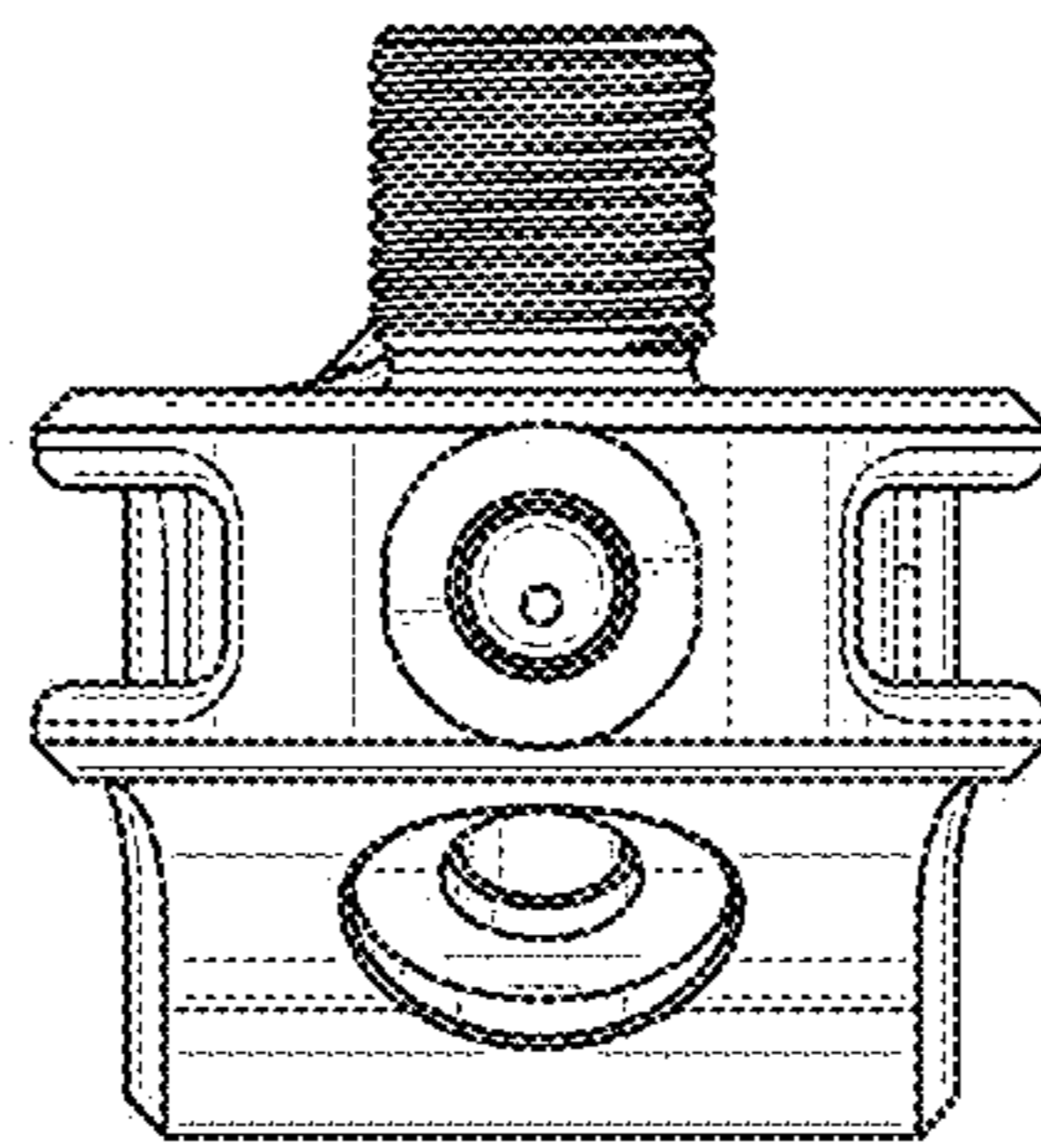


FIG. 8