



US00D882732S

(12) **United States Design Patent**  
**Hansen**

(10) **Patent No.:** **US D882,732 S**

(45) **Date of Patent:** **\*\* Apr. 28, 2020**

- (54) **AIR DELIVERY MANIFOLD**
- (71) Applicant: **Special Projects Operations, Inc.,**  
Belcamp, MD (US)
- (72) Inventor: **Brennan E. Hansen,** Chesapeake, VA  
(US)
- (73) Assignee: **Special Projects Operations, Inc.,**  
Belcamp, MD (US)
- (\*\*) Term: **15 Years**
- (21) Appl. No.: **29/664,752**
- (22) Filed: **Sep. 27, 2018**
- (51) **LOC (12) Cl.** ..... **23-01**
- (52) **U.S. Cl.**  
USPC ..... **D23/233**
- (58) **Field of Classification Search**  
USPC ..... D15/7-9; D23/231, 232, 235, 233, 259  
CPC ..... A62B 9/02; A62B 9/04  
See application file for complete search history.

- D360,017 S \* 7/1995 Lopez ..... D23/259
- 5,676,589 A \* 10/1997 Ashworth ..... B24C 3/12  
451/101
- D489,794 S \* 5/2004 Storer ..... D23/233
- 7,766,038 B2 \* 8/2010 Geddes ..... E04H 4/14  
137/561 A
- 8,814,067 B2 \* 8/2014 Freers ..... F26B 21/004  
239/548
- D728,755 S \* 5/2015 Nasu ..... D23/266
- D735,307 S \* 7/2015 Magana ..... D23/323
- 9,375,679 B2 \* 6/2016 Adams ..... F16L 41/005
- D767,736 S \* 9/2016 Nasu ..... D23/266
- 9,557,108 B2 \* 1/2017 Freers ..... F26B 21/004
- 2019/0091497 A1 \* 3/2019 Hansen ..... A62B 9/02

\* cited by examiner

*Primary Examiner* — Mitchell I. Siegel  
(74) *Attorney, Agent, or Firm* — Whiteford, Taylor & Preston, LLP; Gregory M. Stone

(57) **CLAIM**

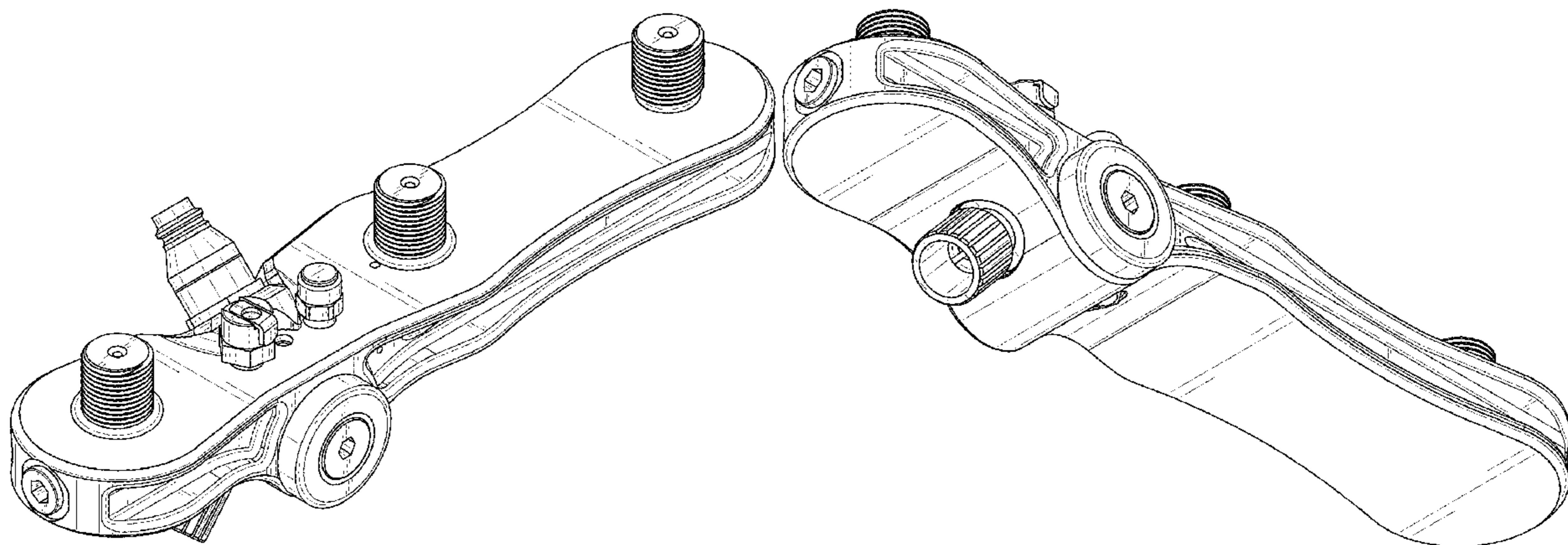
The ornamental design for an air delivery manifold, as shown and described.

**DESCRIPTION**

FIG. 1 is a top perspective view of an air delivery manifold showing the new design;  
FIG. 2 is a bottom perspective view thereof;  
FIG. 3 is a top plan view thereof;  
FIG. 4 is a bottom plan view thereof;  
FIG. 5 is a front view thereof;  
FIG. 6 is a rear view thereof;  
FIG. 7 is a right side view thereof; and,  
FIG. 8 is a left side view thereof.

**1 Claim, 4 Drawing Sheets**

- (56) **References Cited**  
U.S. PATENT DOCUMENTS
- D236,724 S \* 9/1975 Scheffler et al. .... D23/263
- D240,427 S \* 7/1976 Ikonen et al. .... D23/263
- D241,756 S \* 10/1976 Gray ..... D23/259
- 4,264,036 A \* 4/1981 Moore ..... E03B 9/20  
137/883
- D273,804 S \* 5/1984 Fueleop ..... D13/102
- D305,147 S \* 12/1989 Samford ..... D23/263
- D343,888 S \* 2/1994 Rupp ..... D23/259
- D354,799 S \* 1/1995 Self ..... D23/259



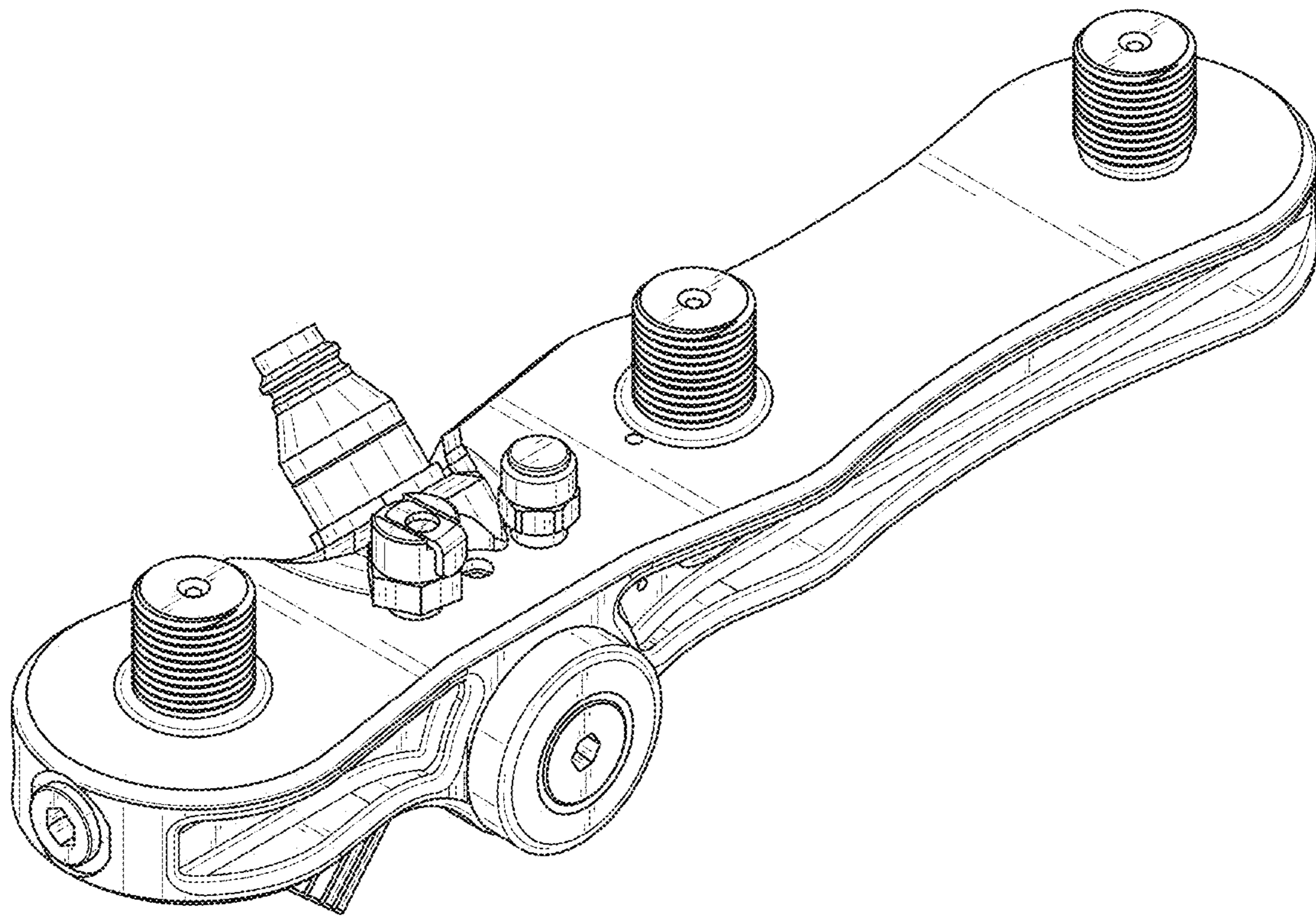


FIG. 1

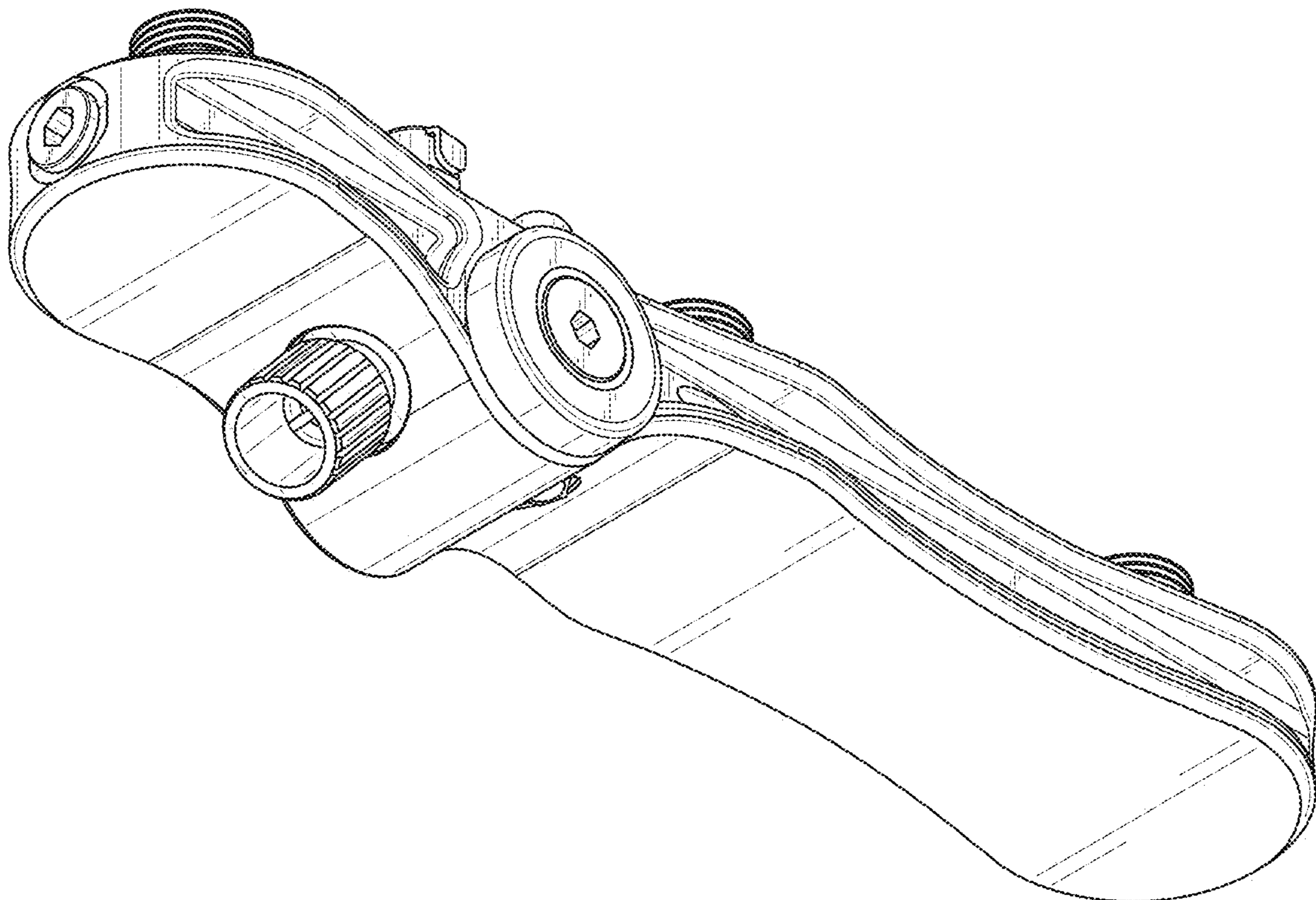


FIG. 2

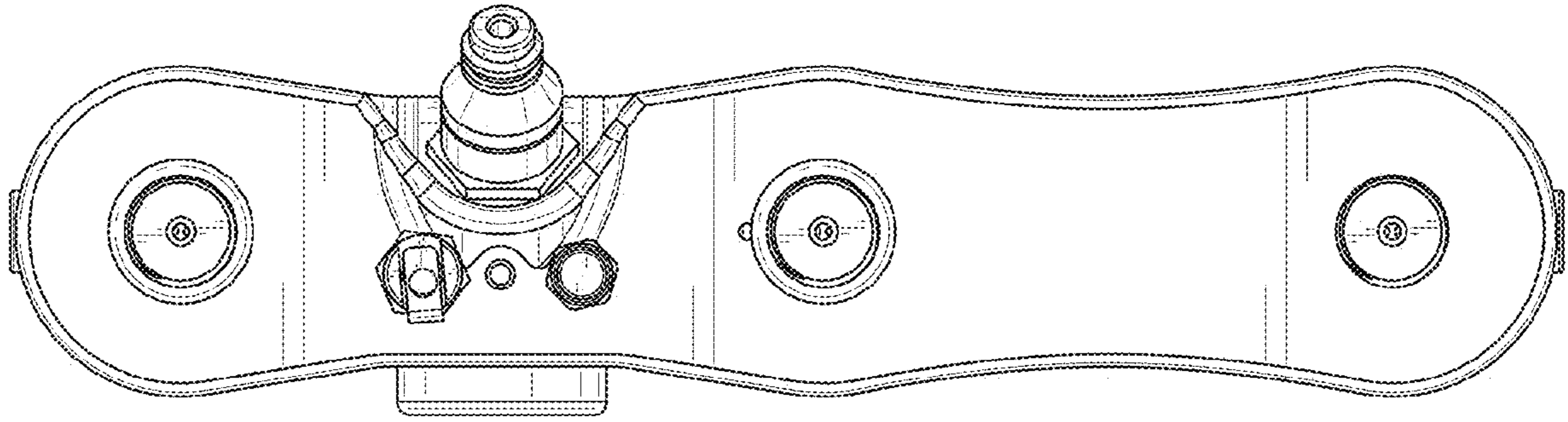


FIG. 3

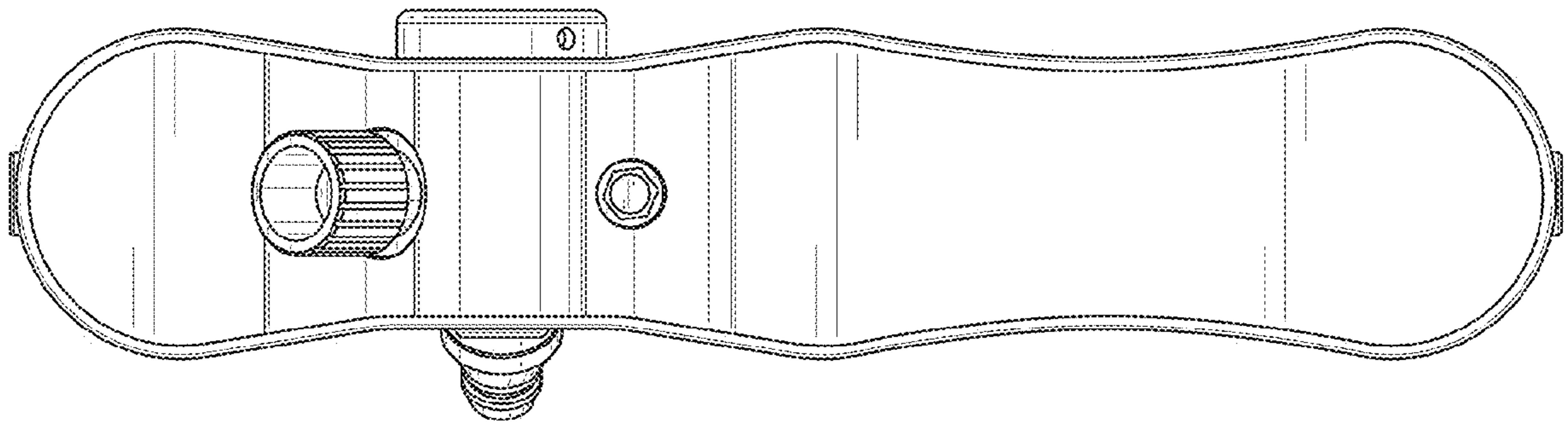


FIG. 4

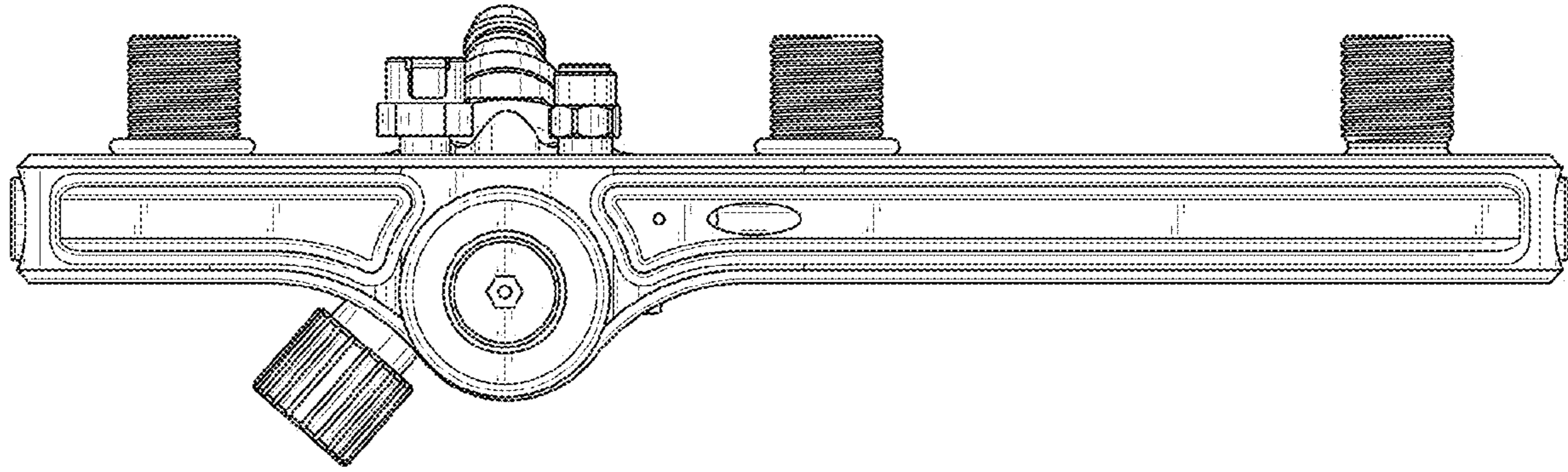


FIG. 5

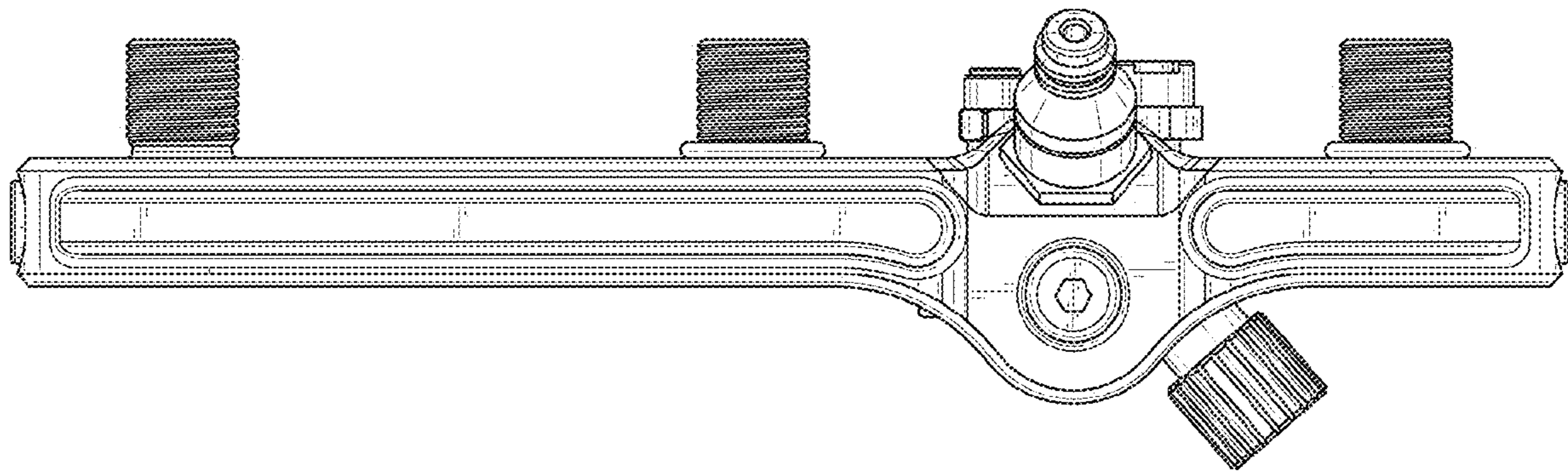


FIG. 6

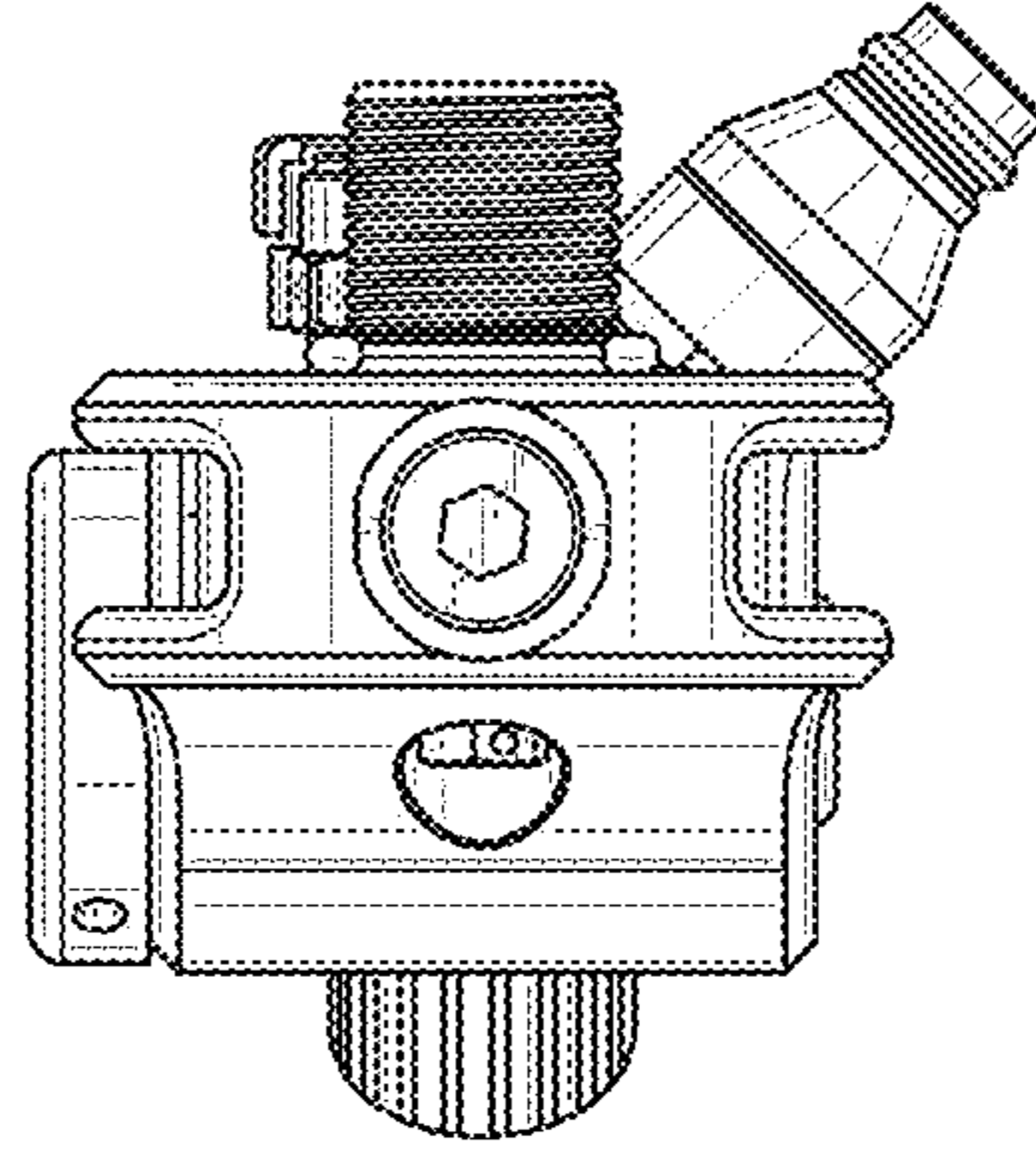


FIG. 7

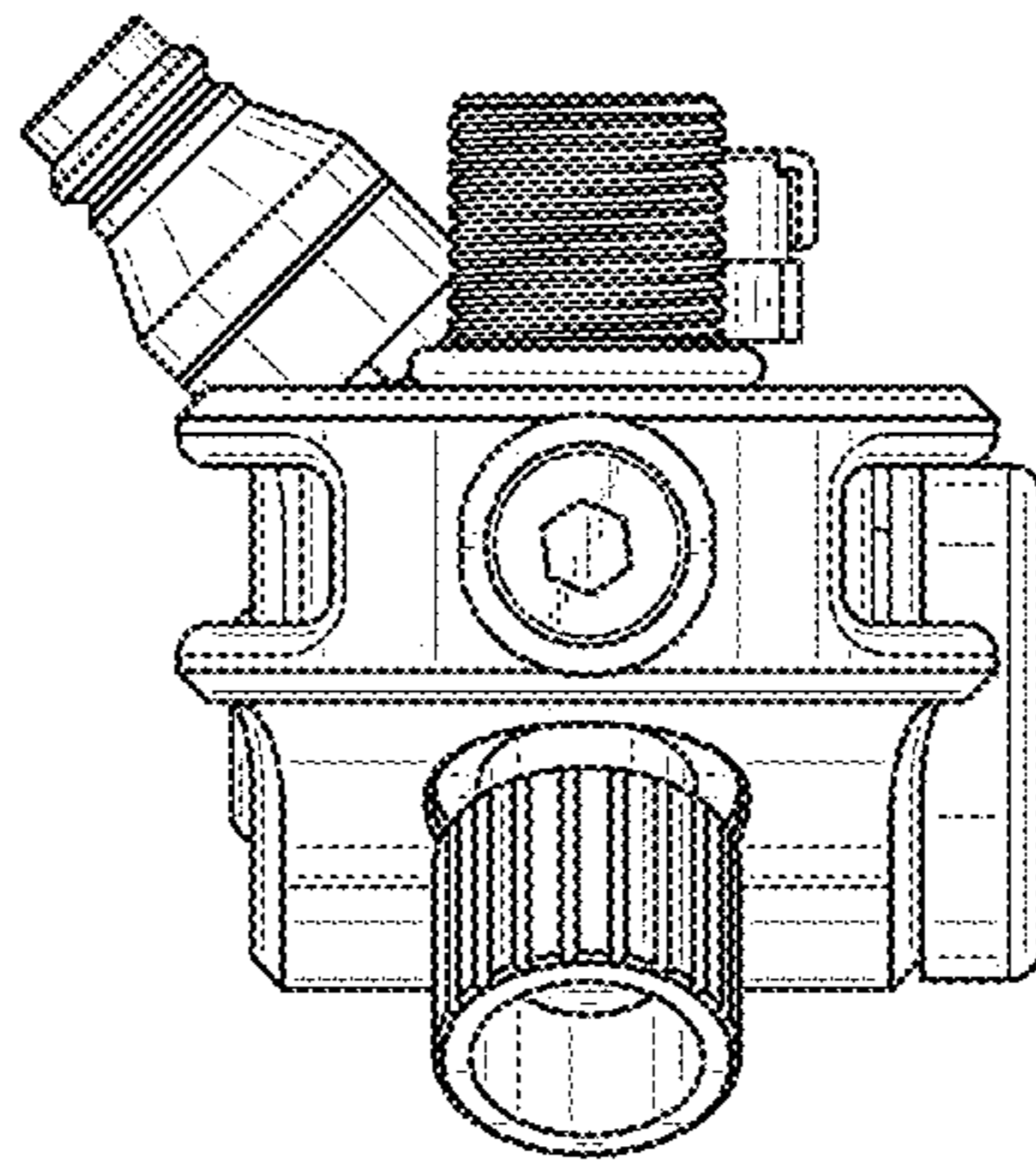


FIG. 8