



US00D882731S

(12) **United States Design Patent**
Hansen

(10) **Patent No.:** **US D882,731 S**

(45) **Date of Patent:** **** Apr. 28, 2020**

- (54) **AIR DELIVERY MANIFOLD**
- (71) Applicant: **Special Projects Operations, Inc.,**
Belcamp, MD (US)
- (72) Inventor: **Brennan E. Hansen, Chesapeake, VA**
(US)
- (73) Assignee: **Special Projects Operations, Inc.,**
Belcamp
- (**) Term: **15 Years**
- (21) Appl. No.: **29/664,705**
- (22) Filed: **Sep. 27, 2018**
- (51) **LOC (12) Cl.** **23-01**
- (52) **U.S. Cl.**
USPC **D23/233**
- (58) **Field of Classification Search**
USPC D15/7-9; D23/231, 232, 235, 259, 233
CPC A62B 9/02; A62B 9/04
See application file for complete search history.

- D360,017 S * 7/1995 Lopez D23/259
- 5,676,589 A * 10/1997 Ashworth B24C 3/12
451/101
- D489,794 S * 5/2004 Storer D23/233
- 7,766,038 B2 * 8/2010 Geddes E04H 4/14
137/561 A
- 8,814,067 B2 * 8/2014 Freers F26B 21/004
239/548
- D728,755 S * 5/2015 Nasu D23/266
- D735,307 S * 7/2015 Magana D23/323
- 9,375,679 B2 * 6/2016 Adams F16L 41/005
- D767,736 S * 9/2016 Nasu D23/266
- 9,557,108 B2 * 1/2017 Freers F26B 21/004
- 2019/0091497 A1 * 3/2019 Hansen A62B 9/02

* cited by examiner

Primary Examiner — Mitchell I. Siegel
(74) *Attorney, Agent, or Firm* — Whiteford, Taylor & Preston, LLP; Gregory M. Stone

(57) **CLAIM**

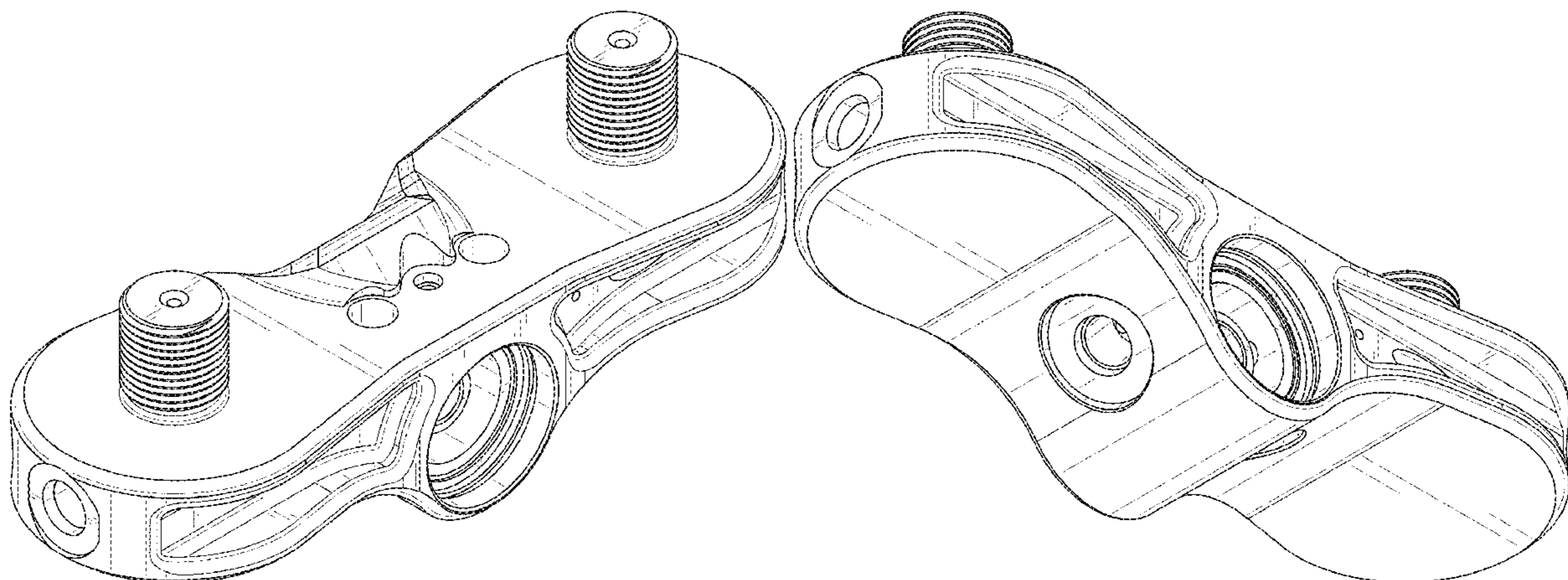
The ornamental design for an air delivery manifold, as shown and described.

DESCRIPTION

FIG. 1 is a top perspective view of an air delivery manifold showing the new design;
FIG. 2 is a bottom perspective view thereof;
FIG. 3 is a top plan view thereof;
FIG. 4 is a bottom plan view thereof;
FIG. 5 is a front view thereof;
FIG. 6 is a rear view thereof;
FIG. 7 is a right side view thereof; and,
FIG. 8 is a left side view thereof.

1 Claim, 4 Drawing Sheets

- (56) **References Cited**
U.S. PATENT DOCUMENTS
- D236,724 S * 9/1975 Scheffler et al. D23/263
- D240,427 S * 7/1976 Ikonen et al. D23/263
- D241,756 S * 10/1976 Gray D23/259
- 4,264,036 A * 4/1981 Moore E03B 9/20
137/883
- D273,804 S * 5/1984 Fueloep D13/102
- D305,147 S * 12/1989 Samford D23/263
- D343,888 S * 2/1994 Rupp D23/259
- D354,799 S * 1/1995 Self D23/259



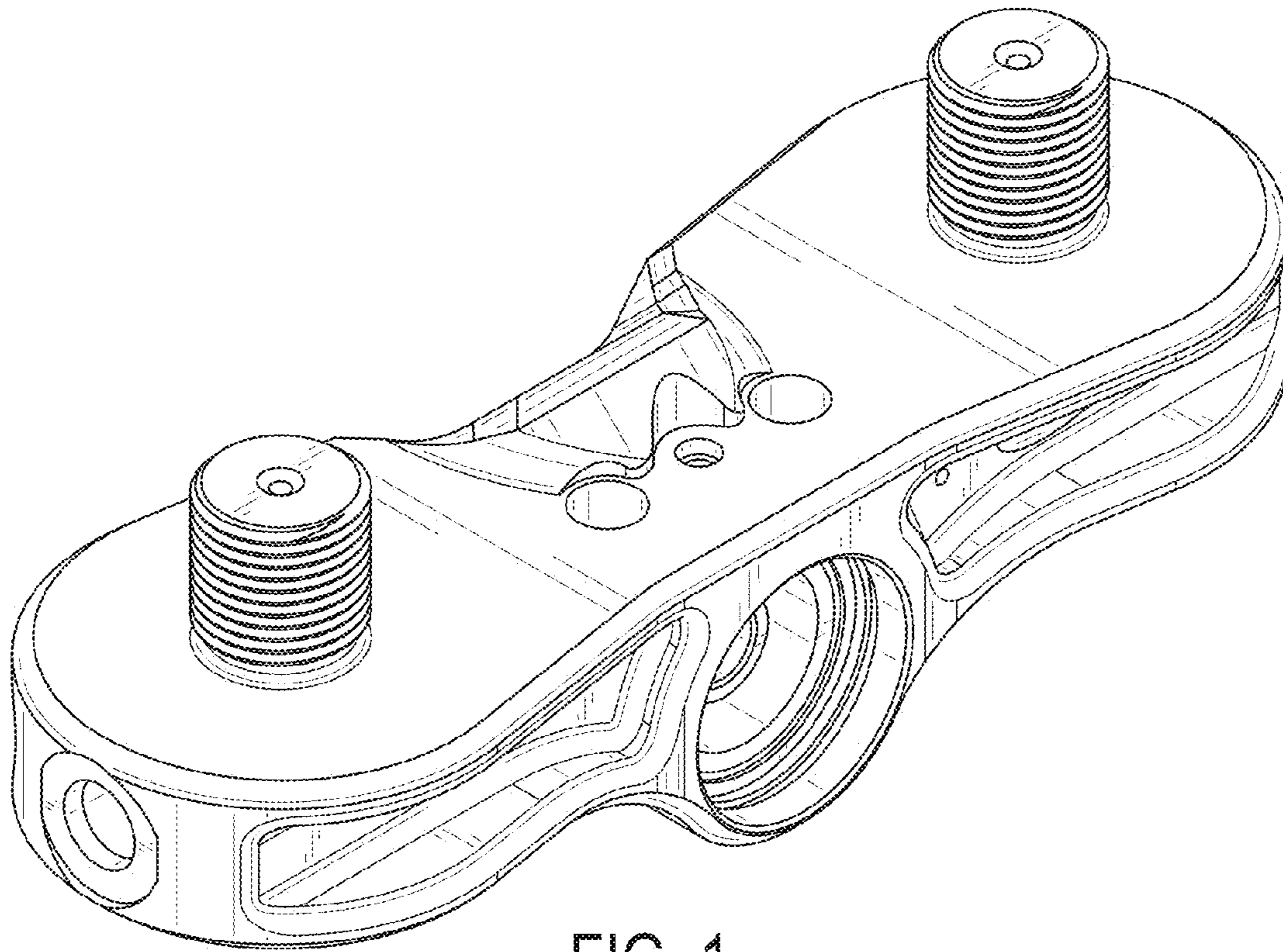


FIG. 1

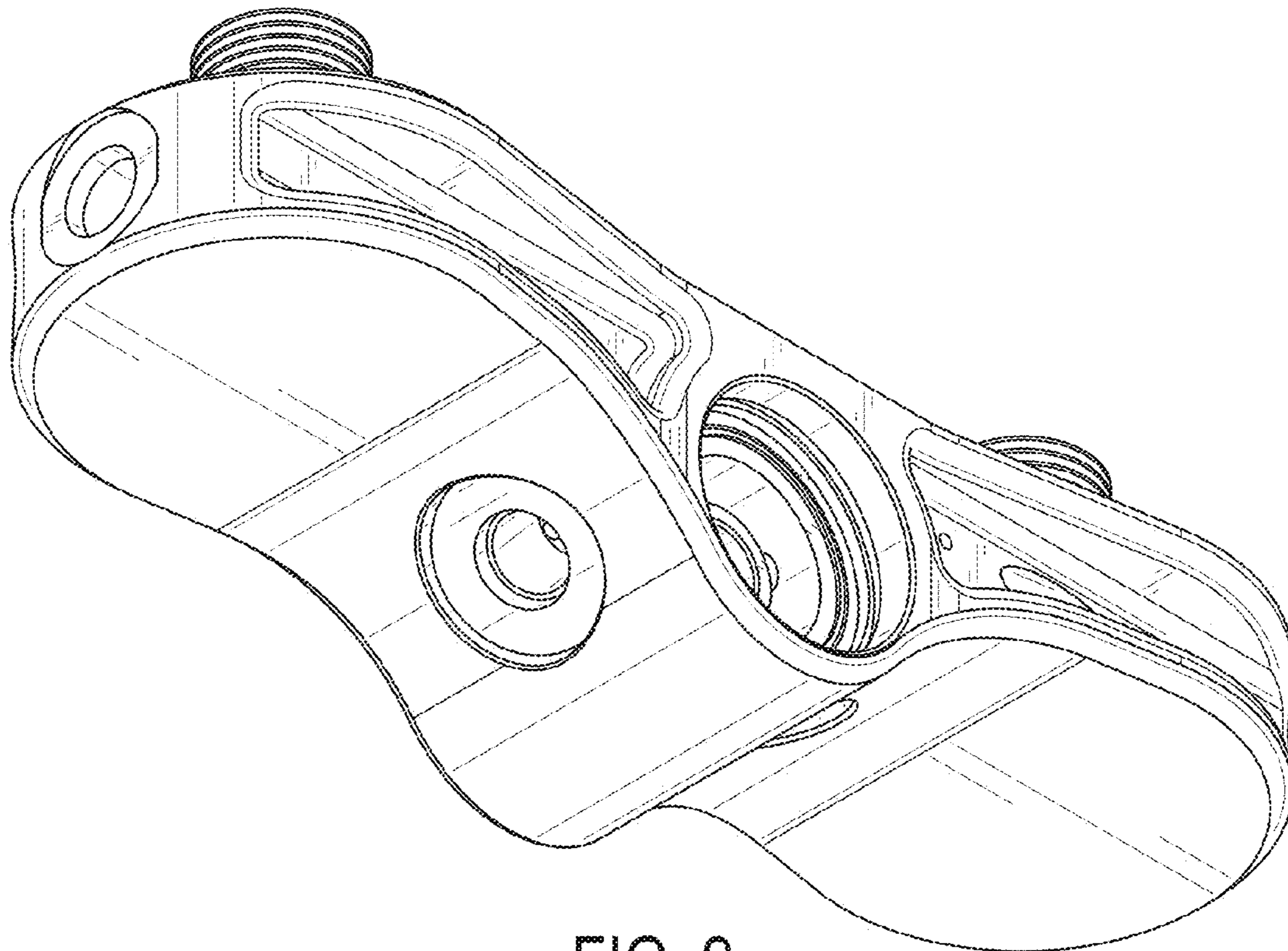


FIG. 2

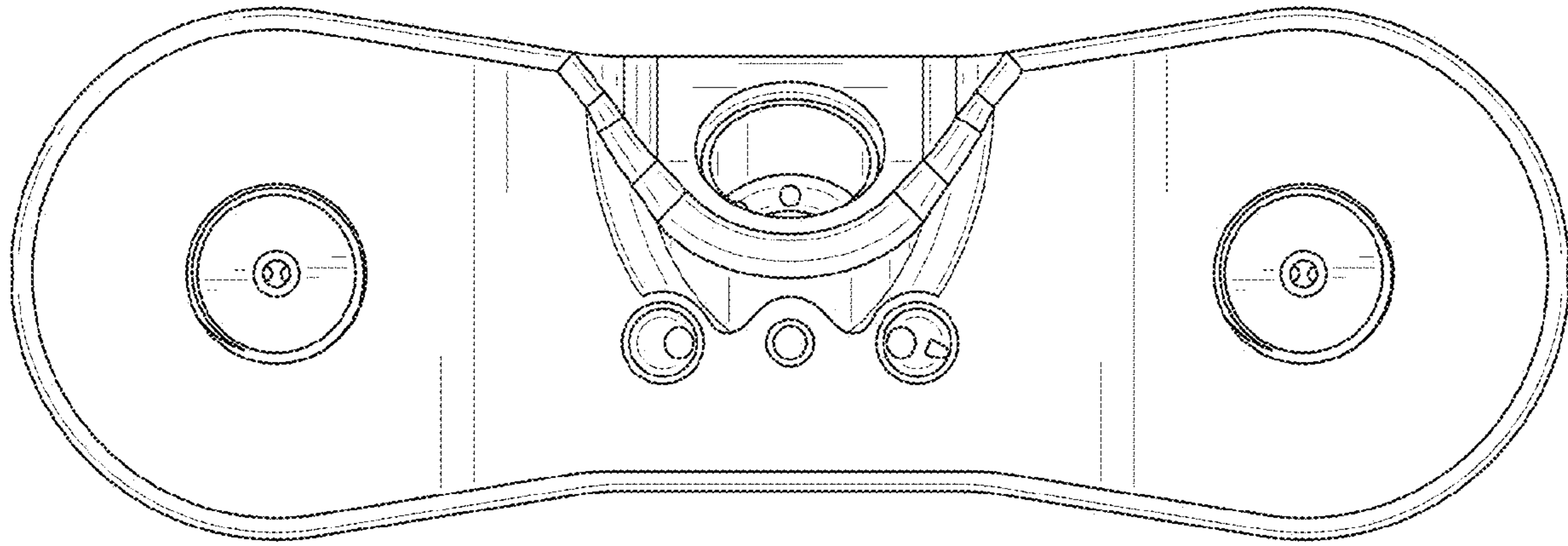


FIG. 3

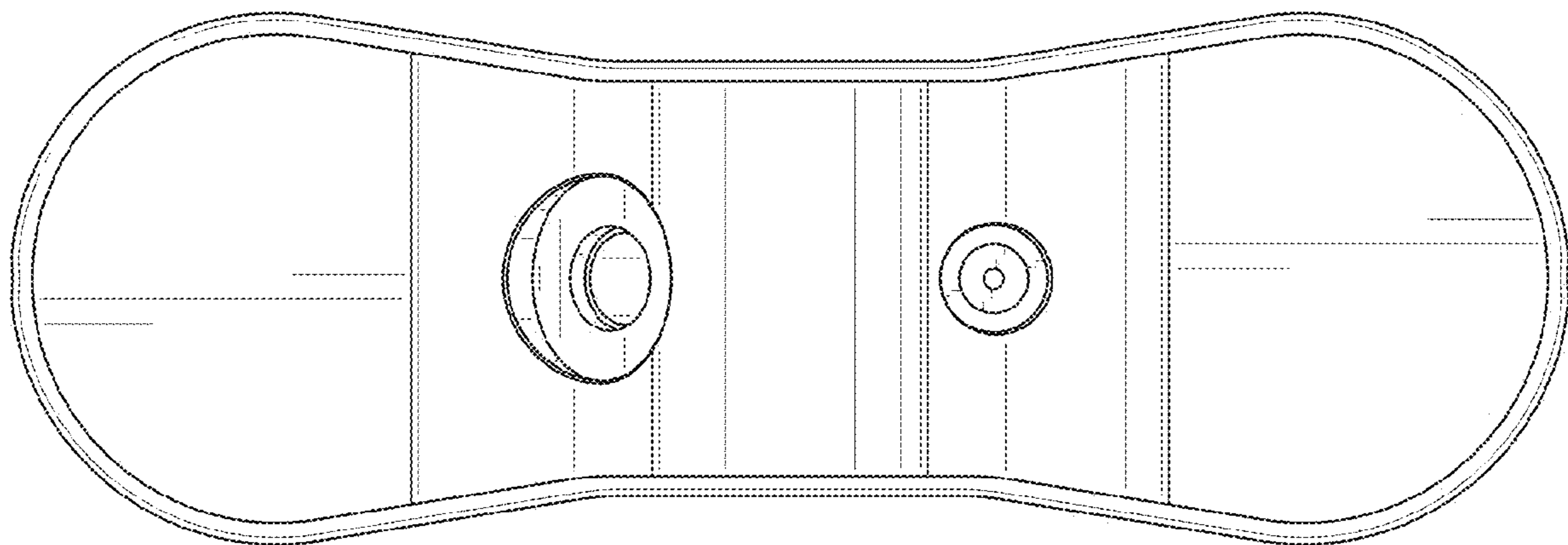


FIG. 4

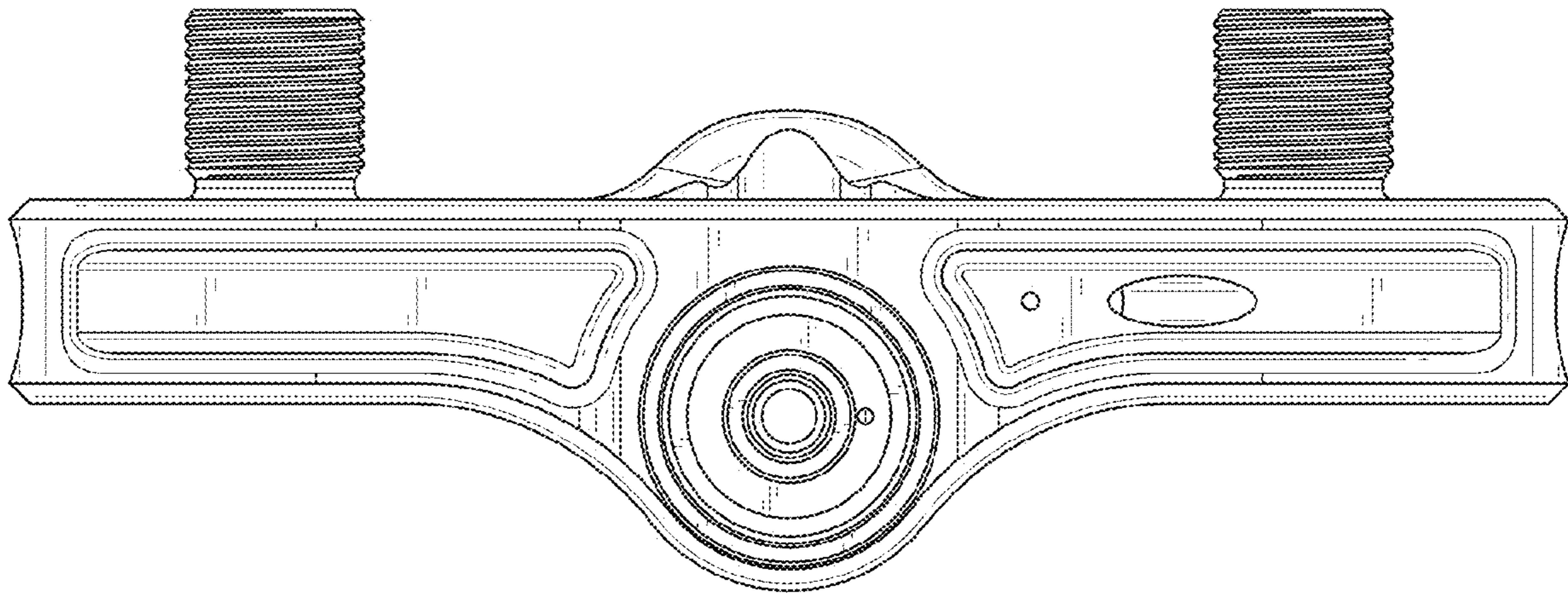


FIG. 5

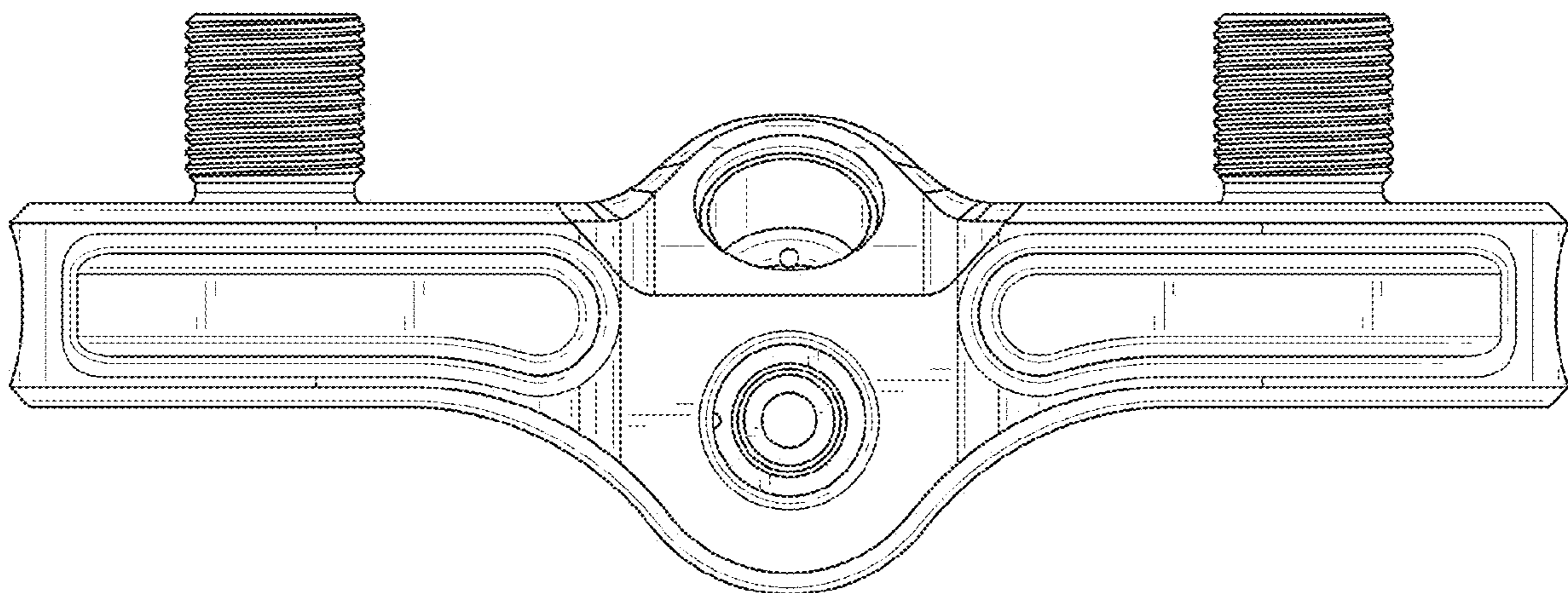


FIG. 6

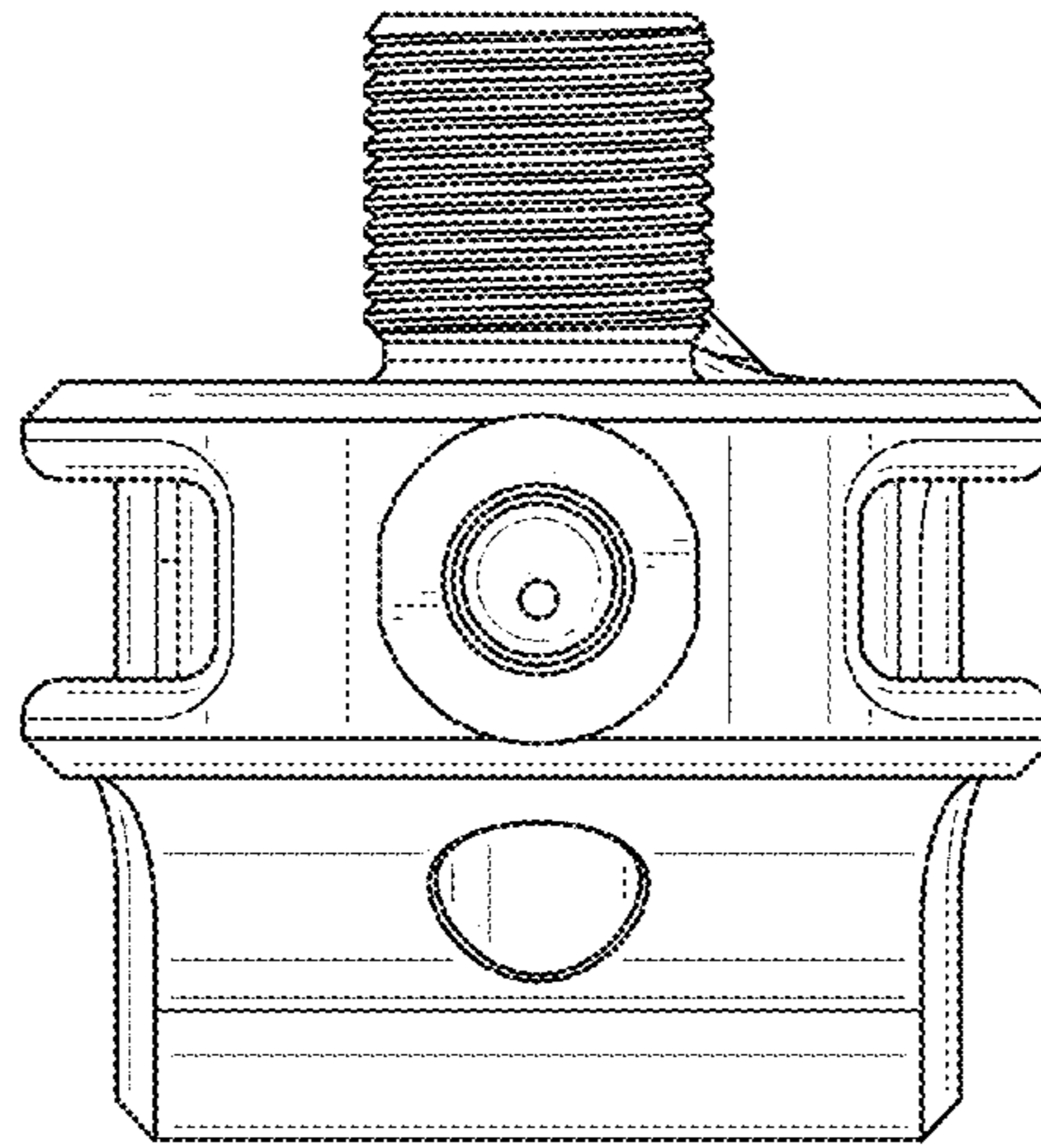


FIG. 7

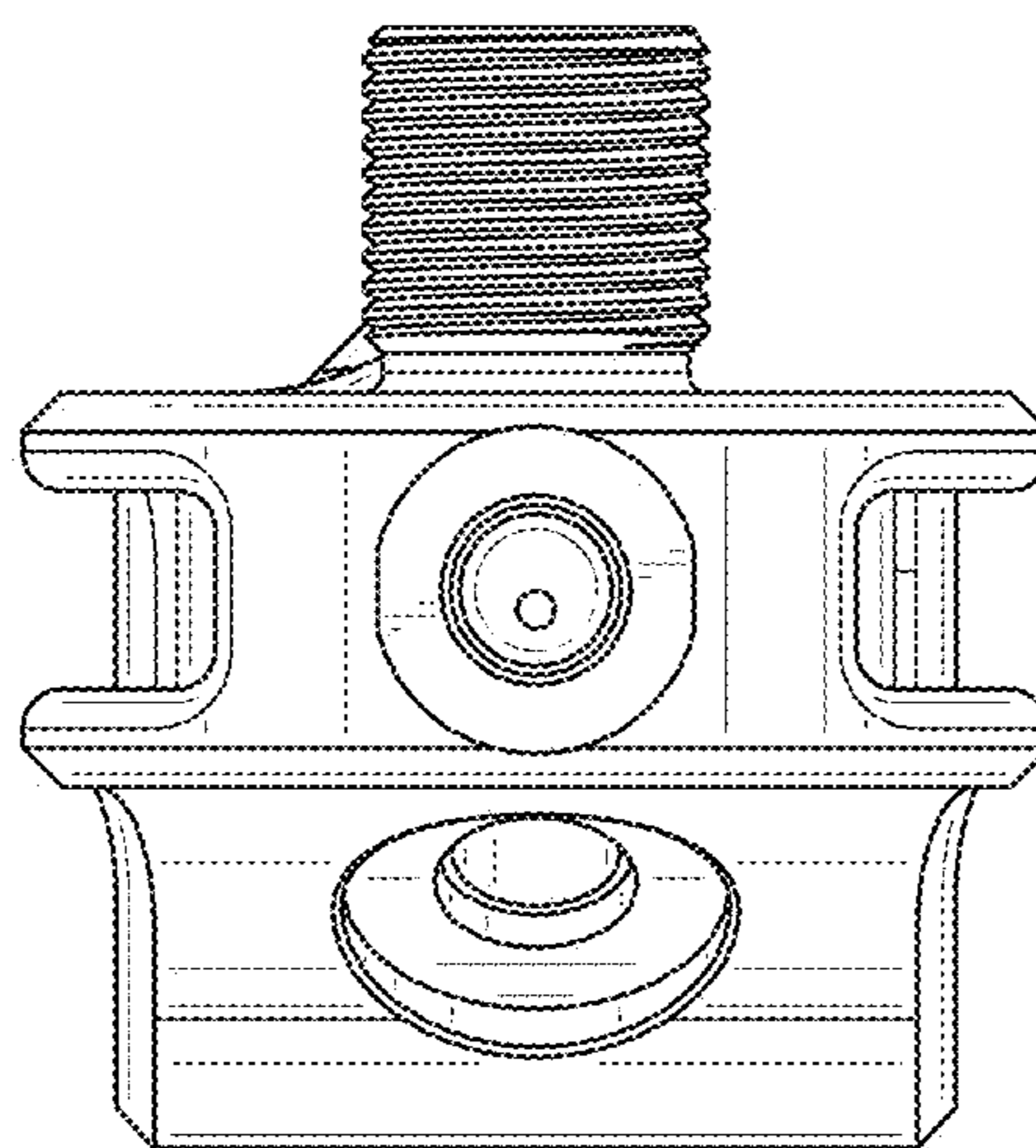


FIG. 8