



US00D882730S

(12) **United States Design Patent**
Hansen

(10) **Patent No.:** **US D882,730 S**

(45) **Date of Patent:** **** Apr. 28, 2020**

- (54) **AIR DELIVERY MANIFOLD**
- (71) Applicant: **Special Projects Operations, Inc.,**
Belcamp, MD (US)
- (72) Inventor: **Brennan E. Hansen, Chesapeake, VA**
(US)
- (73) Assignee: **Special Projects Operations, Inc.,**
Belcamp, MD (US)
- (**) Term: **15 Years**
- (21) Appl. No.: **29/664,703**
- (22) Filed: **Sep. 27, 2018**
- (51) **LOC (12) Cl.** **23-01**
- (52) **U.S. Cl.**
USPC **D23/233**
- (58) **Field of Classification Search**
USPC D15/7-9; D23/231, 232, 235, 233, 259
CPC A62B 9/02; A62B 9/04
See application file for complete search history.

- (56) **References Cited**
U.S. PATENT DOCUMENTS

D236,724 S *	9/1975	Scheffler et al.	D23/263
D240,427 S *	7/1976	Ikonen et al.	D23/263
D241,756 S *	10/1976	Gray	D23/259
4,264,036 A *	4/1981	Moore	E03B 9/20 137/883
D273,804 S *	5/1984	Fueloep	D13/102
D305,147 S *	12/1989	Samford	D23/263
D343,888 S *	2/1994	Rupp	D23/259
D354,799 S *	1/1995	Self	D23/259
D360,017 S *	7/1995	Lopez	D23/259

- 5,676,589 A * 10/1997 Ashworth B24C 3/12
451/101
- D489,794 S * 5/2004 Storer D23/233
- 7,766,038 B2 * 8/2010 Geddes E04H 4/14
137/561 A
- 8,814,067 B2 * 8/2014 Freers F26B 21/004
239/548
- D728,755 S * 5/2015 Nasu D23/266
- D735,307 S * 7/2015 Magana D23/323
- 9,375,679 B2 * 6/2016 Adams F16L 41/005
- D767,736 S * 9/2016 Nasu D23/266
- 9,557,108 B2 * 1/2017 Freers F26B 21/004
- 2019/0091497 A1 * 3/2019 Hansen A62B 9/02

* cited by examiner

Primary Examiner — Mitchell I. Siegel
(74) *Attorney, Agent, or Firm* — Whiteford, Taylor & Preston, LLP; Gregory M. Stone

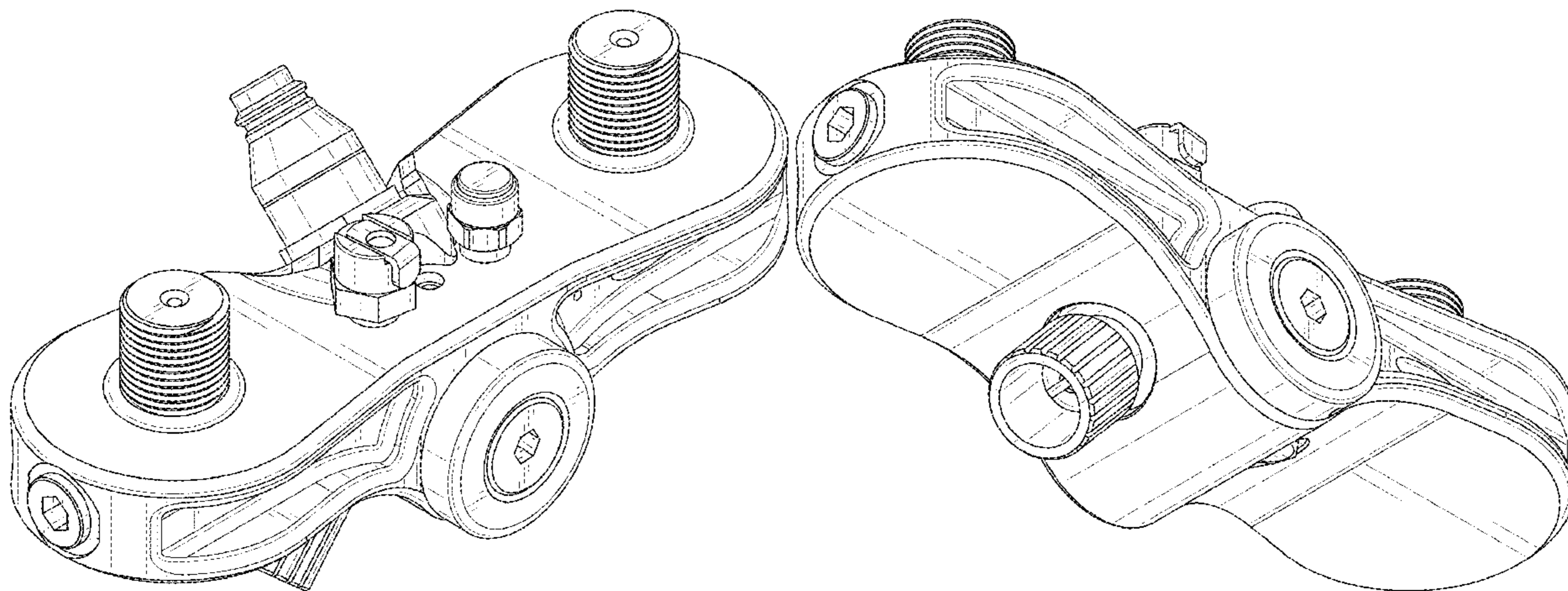
(57) **CLAIM**

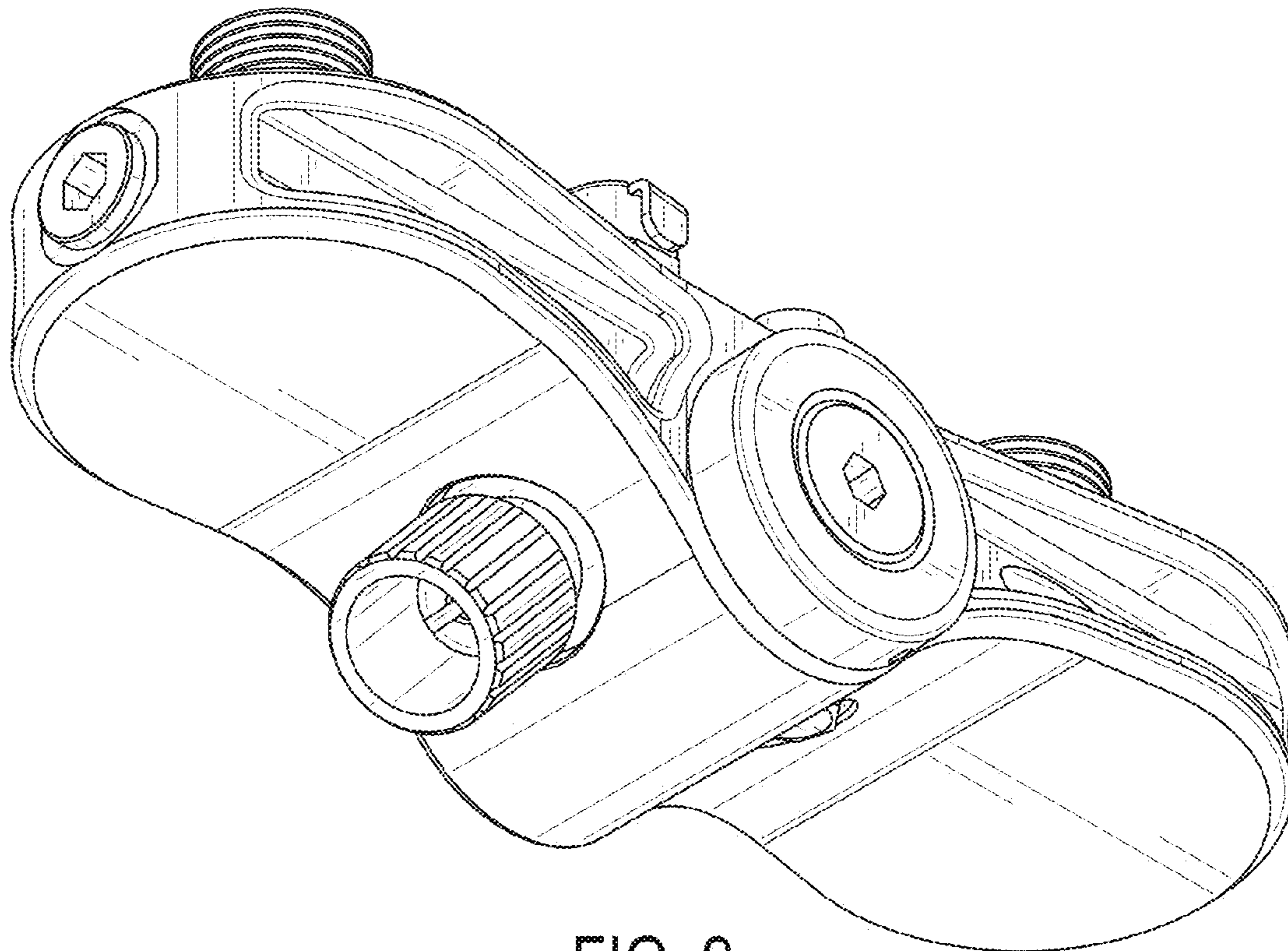
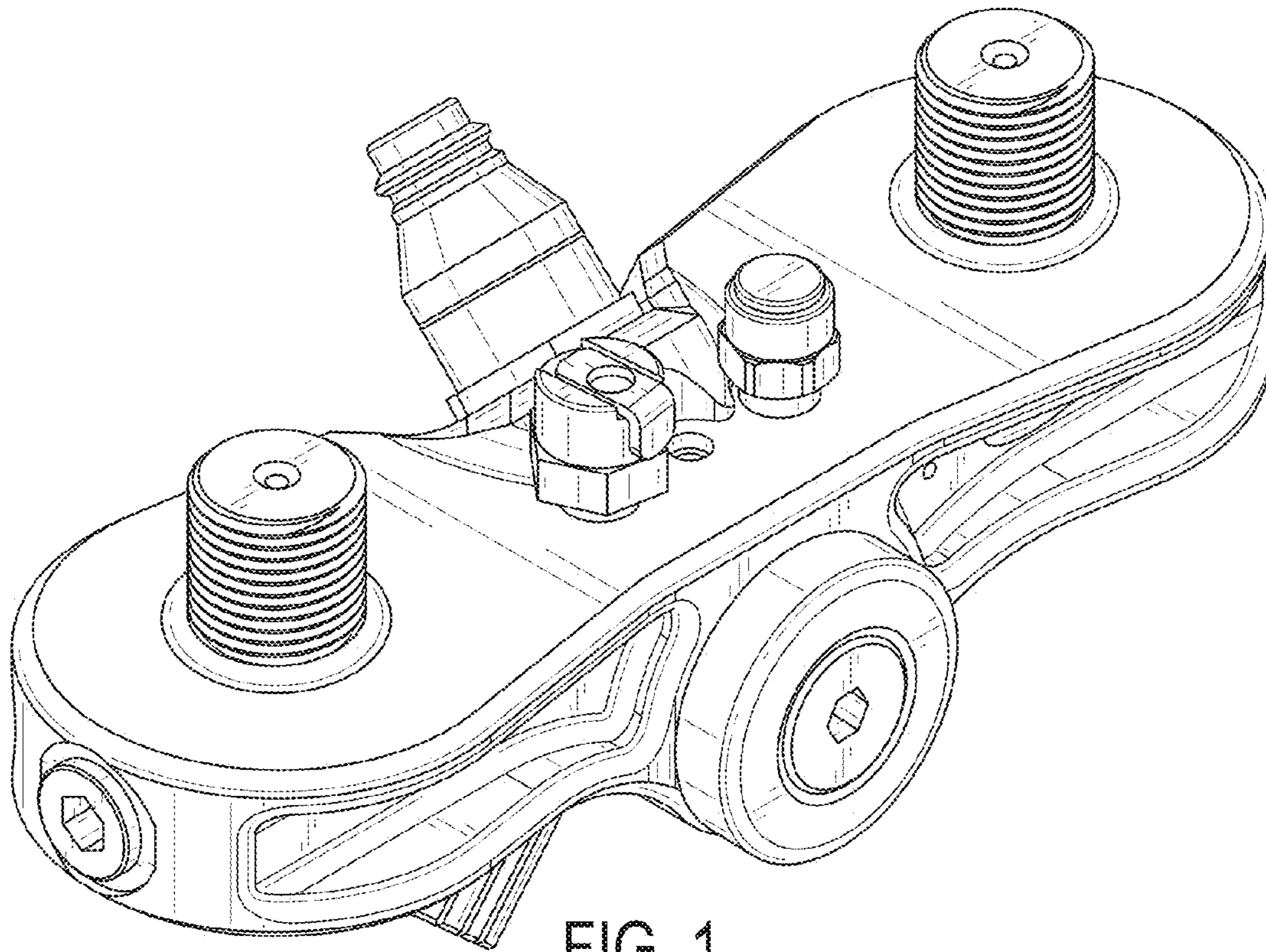
The ornamental design for an air delivery manifold, as shown and described.

DESCRIPTION

FIG. 1 is a top perspective view of an air delivery manifold showing the new design;
FIG. 2 is a bottom perspective view thereof;
FIG. 3 is a top plan view thereof;
FIG. 4 is a bottom plan view thereof;
FIG. 5 is a front view thereof;
FIG. 6 is a rear view thereof;
FIG. 7 is a right side view thereof; and,
FIG. 8 is a left side view thereof.
The broken lines in the Figures form no part of the claimed design.

1 Claim, 4 Drawing Sheets





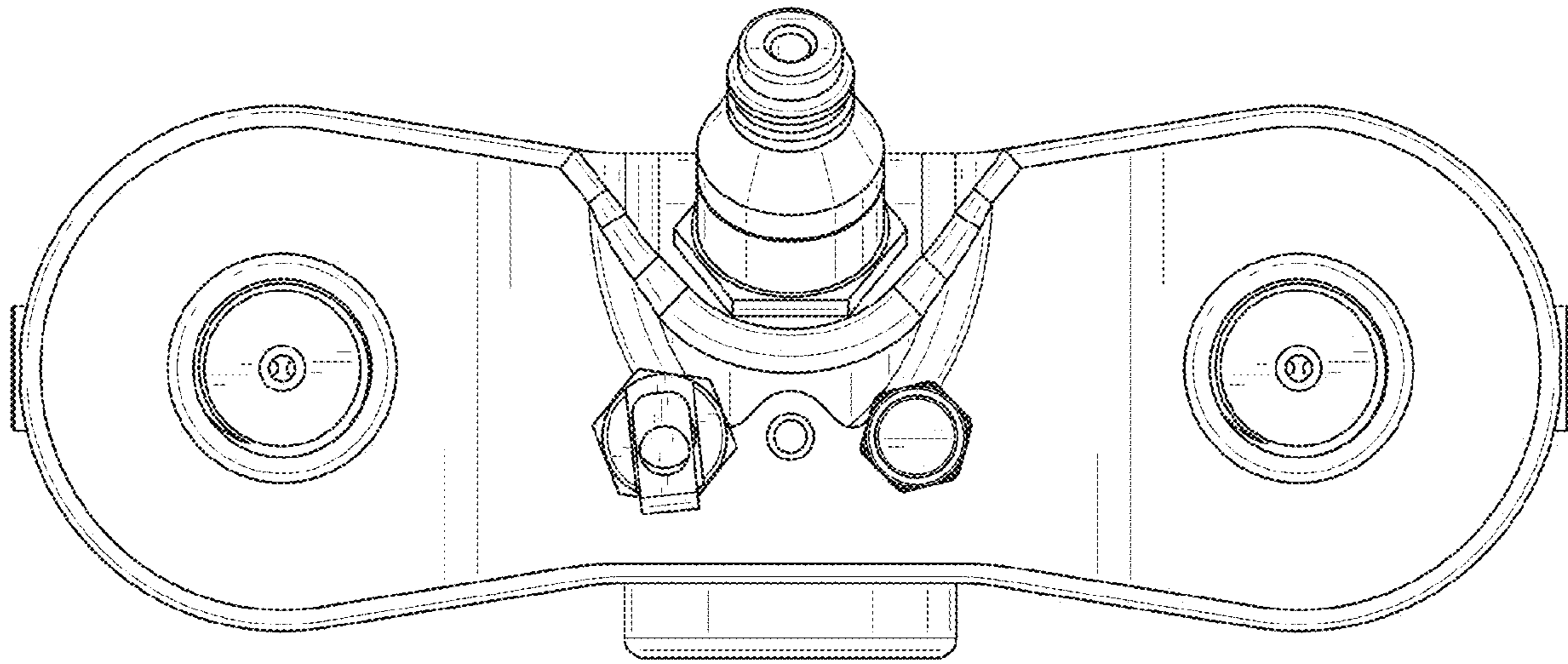


FIG. 3

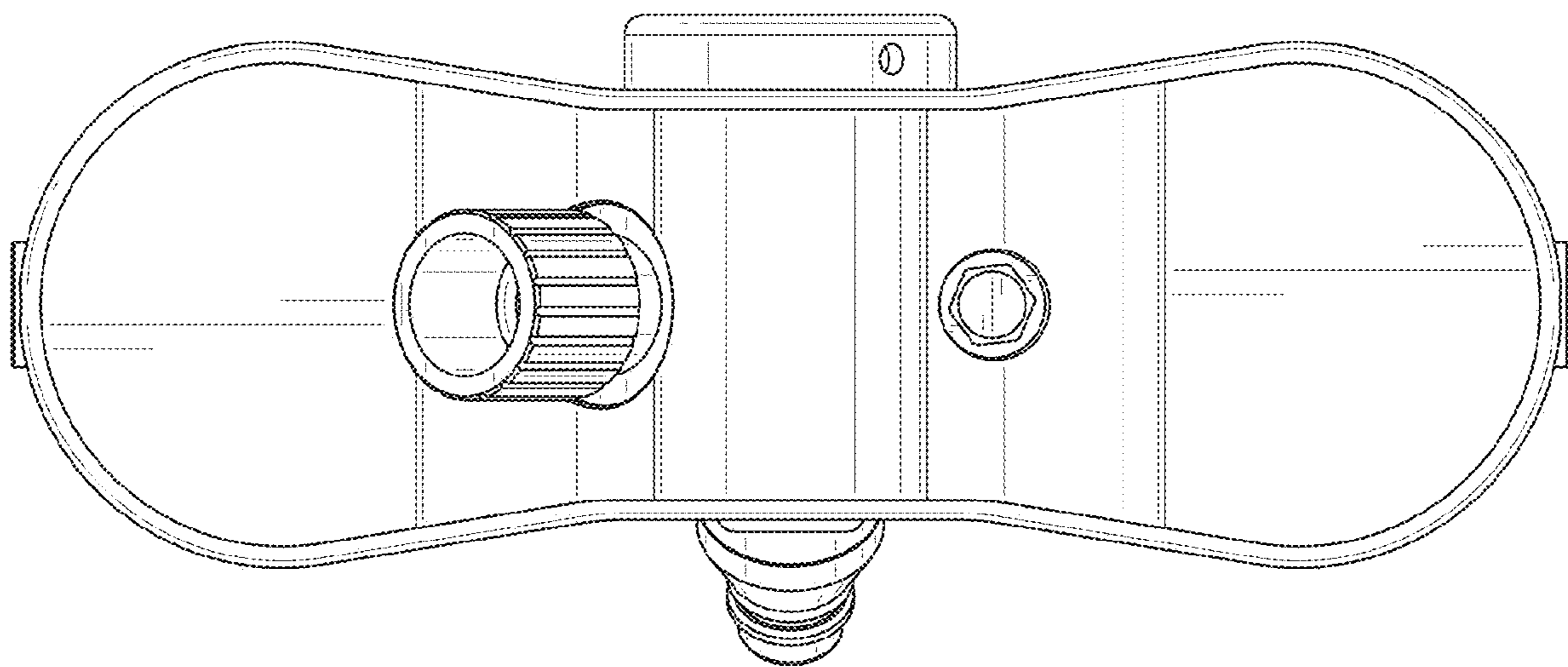


FIG. 4

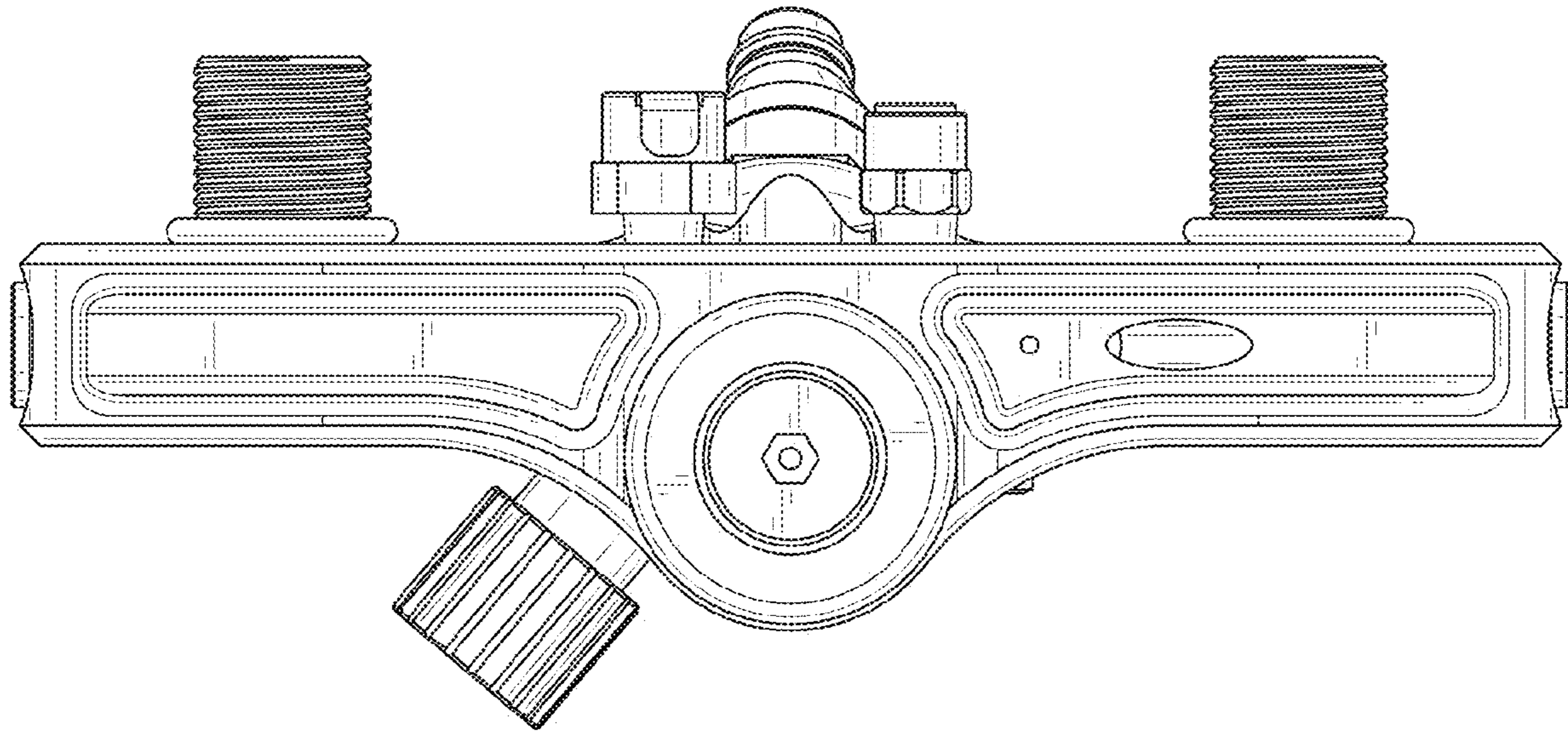


FIG. 5

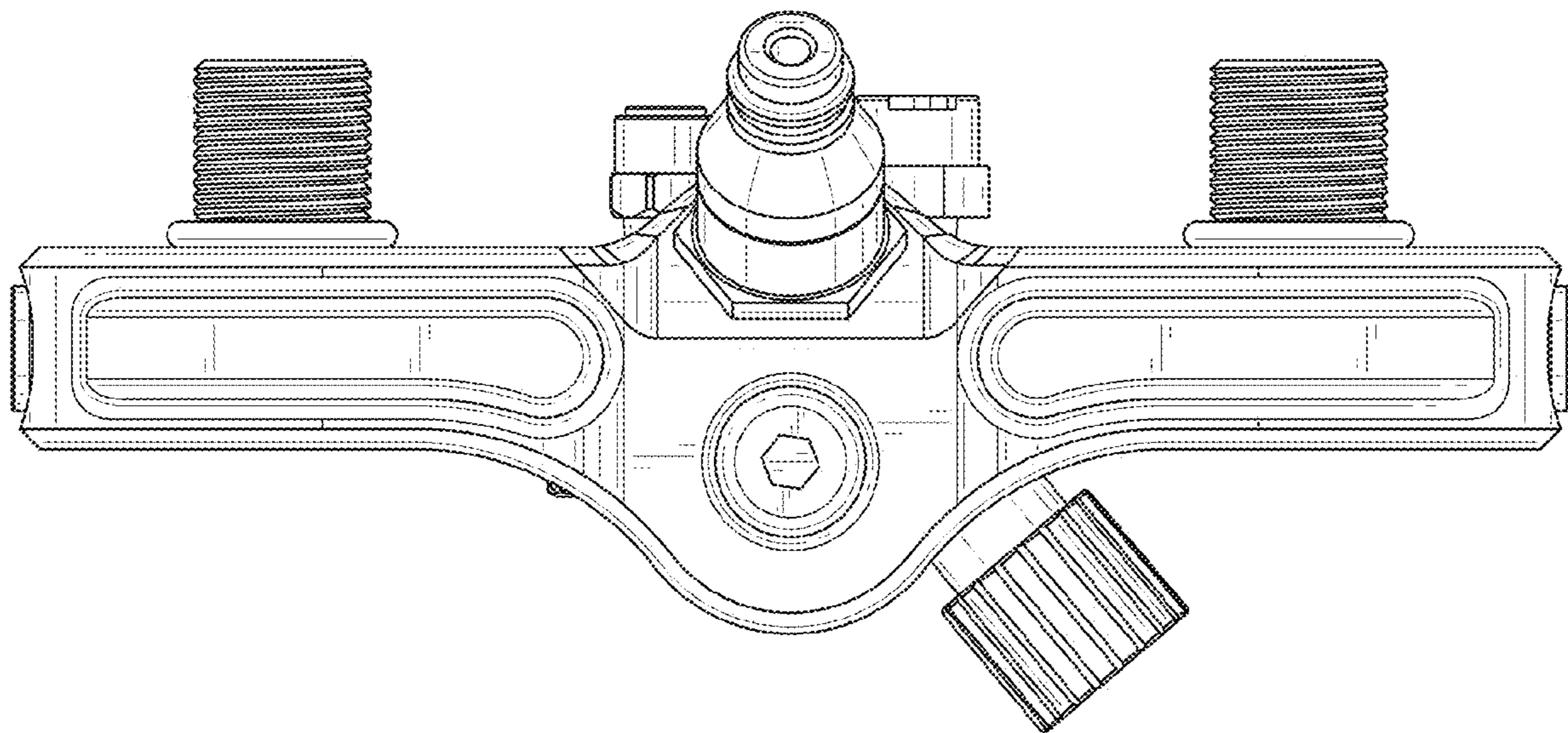


FIG. 6

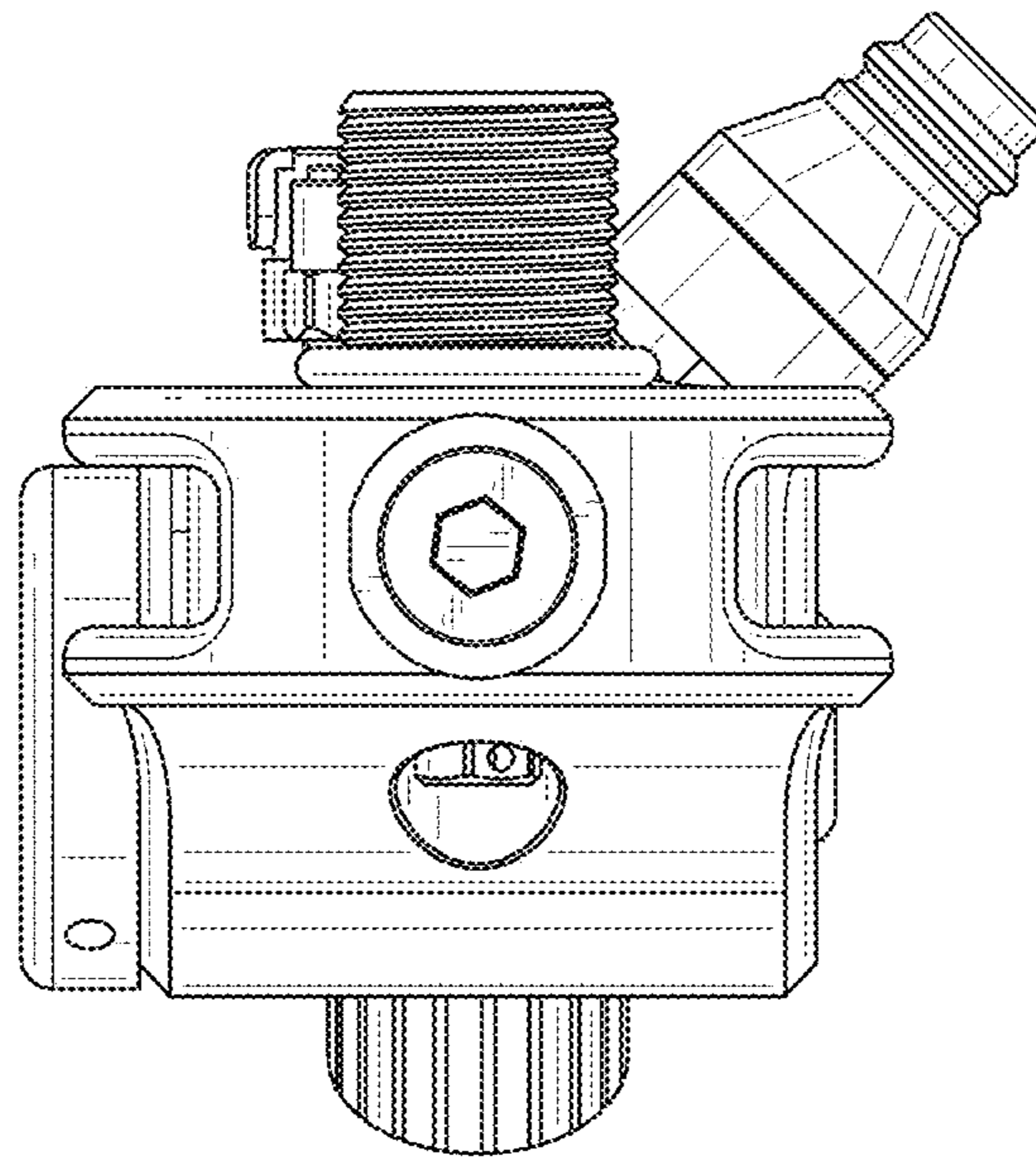


FIG. 7

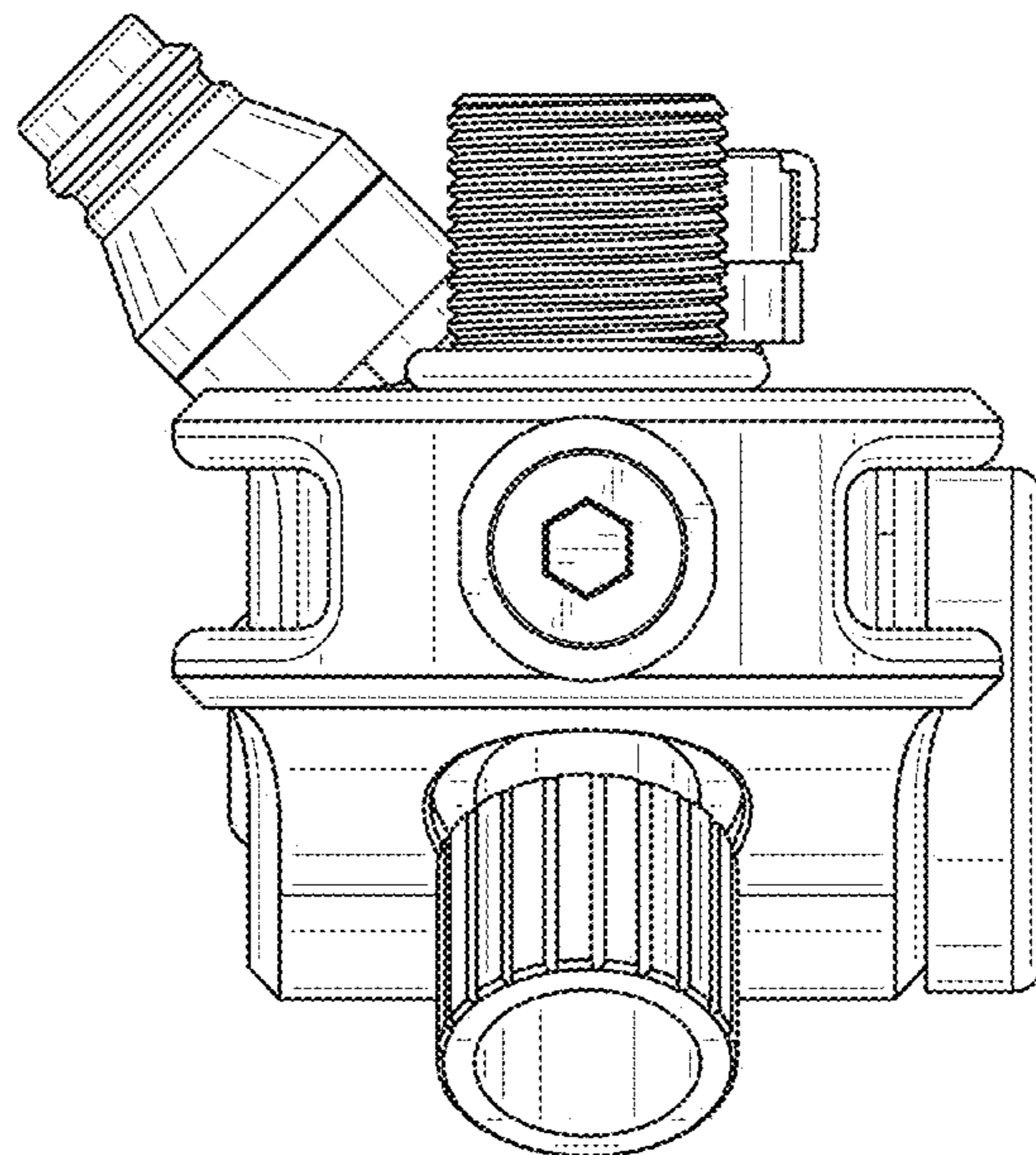


FIG. 8