



US00D882728S

(12) **United States Design Patent** (10) **Patent No.:** **US D882,728 S**
Otsuka et al. (45) **Date of Patent:** **** Apr. 28, 2020**

(54) **WATER CLOSET**

(71) Applicant: **TOTO, Ltd.**, Kitakyushu-shi, Fukuoka (JP)

(72) Inventors: **Kazuki Otsuka**, Kitakyushu (JP);
Minoru Tani, Kitakyushu (JP);
Masafumi Ishikawa, Kitakyushu (JP)

(73) Assignee: **TOTO, Ltd.**, Kitakyushu-shi, Fukuoka (JP)

(**) Term: **15 Years**

(21) Appl. No.: **29/684,004**

(22) Filed: **Mar. 18, 2019**

(30) **Foreign Application Priority Data**

Dec. 20, 2018 (JP) 2018-027818
Dec. 20, 2018 (JP) 2018-027820
Dec. 20, 2018 (JP) 2018-027822

(51) **LOC (12) Cl.** **23-02**

(52) **U.S. Cl.**
USPC **D23/209**

(58) **Field of Classification Search**
USPC D23/295, 301, 309, 313
CPC .. E03D 1/00; E03D 1/01; E03D 1/012; E03D
1/04; E03D 1/06; E03D 1/08; E03D 1/28;
E03D 1/13; E03D 2201/30; E03D 11/08;
E03D 11/18; E03D 13/00; D03D 5/10;
A47K 11/00

See application file for complete search history.

(56) **References Cited**

U.S. PATENT DOCUMENTS

D323,880 S * 2/1992 McKeone D23/295
5,155,870 A * 10/1992 Tsutsui E03D 5/10
4/300

5,579,542 A * 12/1996 Hayman E03D 5/00
4/328
D432,218 S * 10/2000 Kawamura D23/309
D502,765 S * 3/2005 Bucher D23/301
D712,529 S * 9/2014 Bucher D23/309

* cited by examiner

Primary Examiner — Robert A Delehanty

(74) *Attorney, Agent, or Firm* — Banner & Witcoff, Ltd.

(57) **CLAIM**

The ornamental design for a water closet, as shown and described.

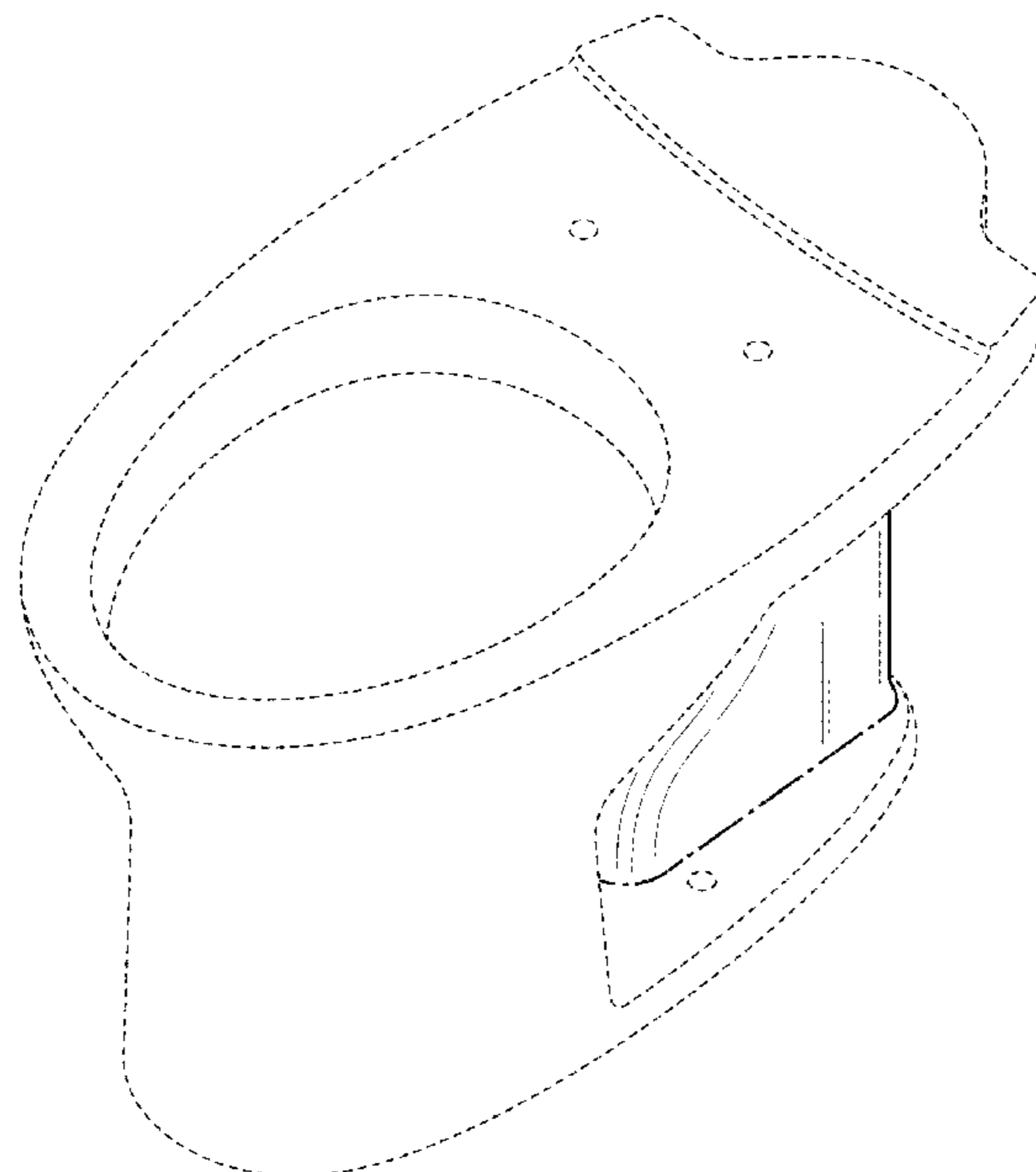
DESCRIPTION

FIG. 1 is a top, right, front, perspective view of a water closet showing our new design;
FIG. 2 is a top, right, rear, perspective view thereof;
FIG. 3 is a top, left, rear, perspective view thereof;
FIG. 4 is a front view thereof;
FIG. 5 is a rear view thereof;
FIG. 6 is a left side view thereof;
FIG. 7 is a right side view thereof;
FIG. 8 is a top view thereof; and,
FIG. 9 is a bottom view thereof.

The broken lines shown in the figures are included for the purpose of illustrating portions of the water closet that form no part of the claimed design.

The dash-dot-dash broken lines shown in the figures represent an unclaimed boundary between claimed and unclaimed subject matter.

1 Claim, 7 Drawing Sheets



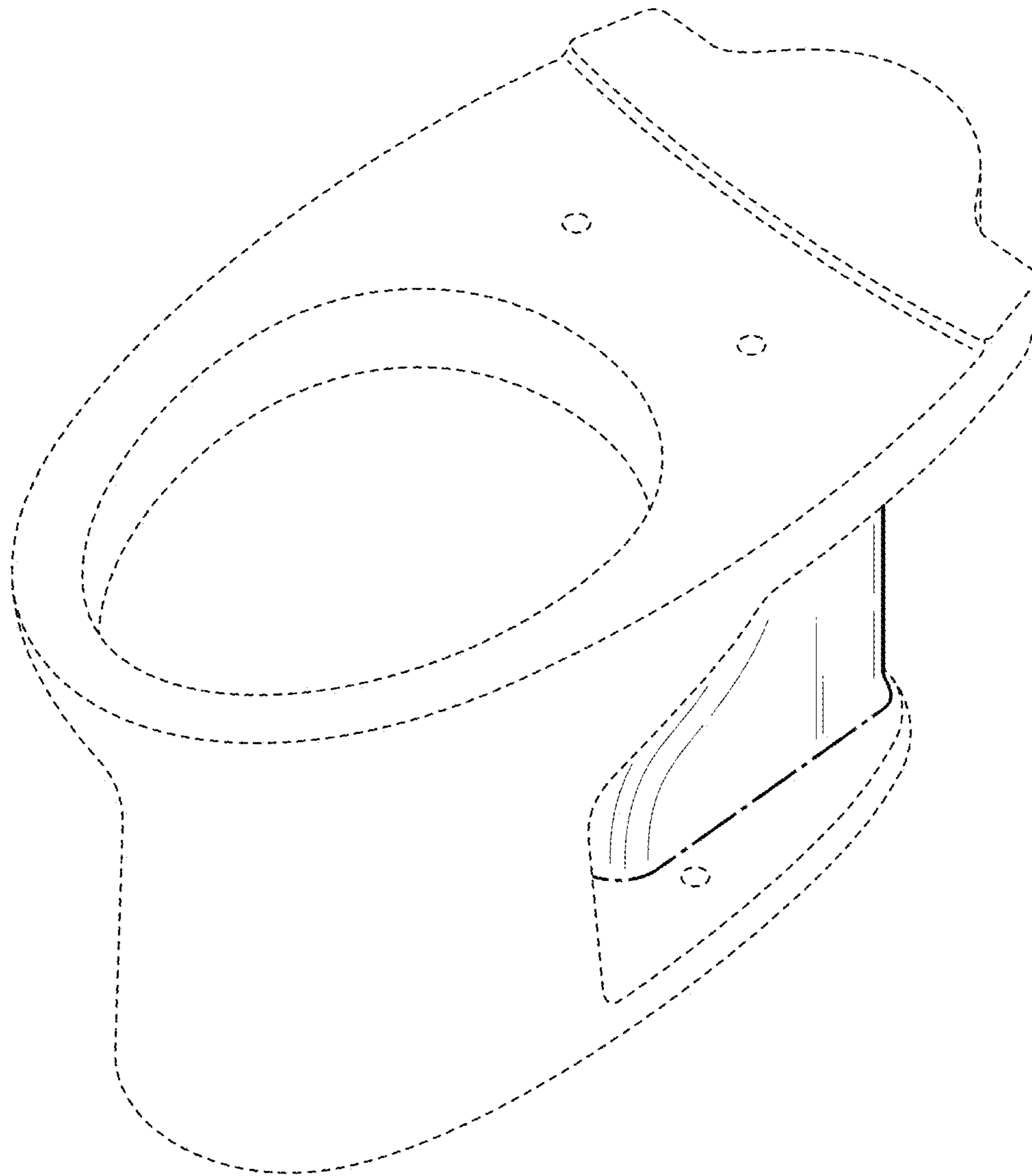


FIG. 1

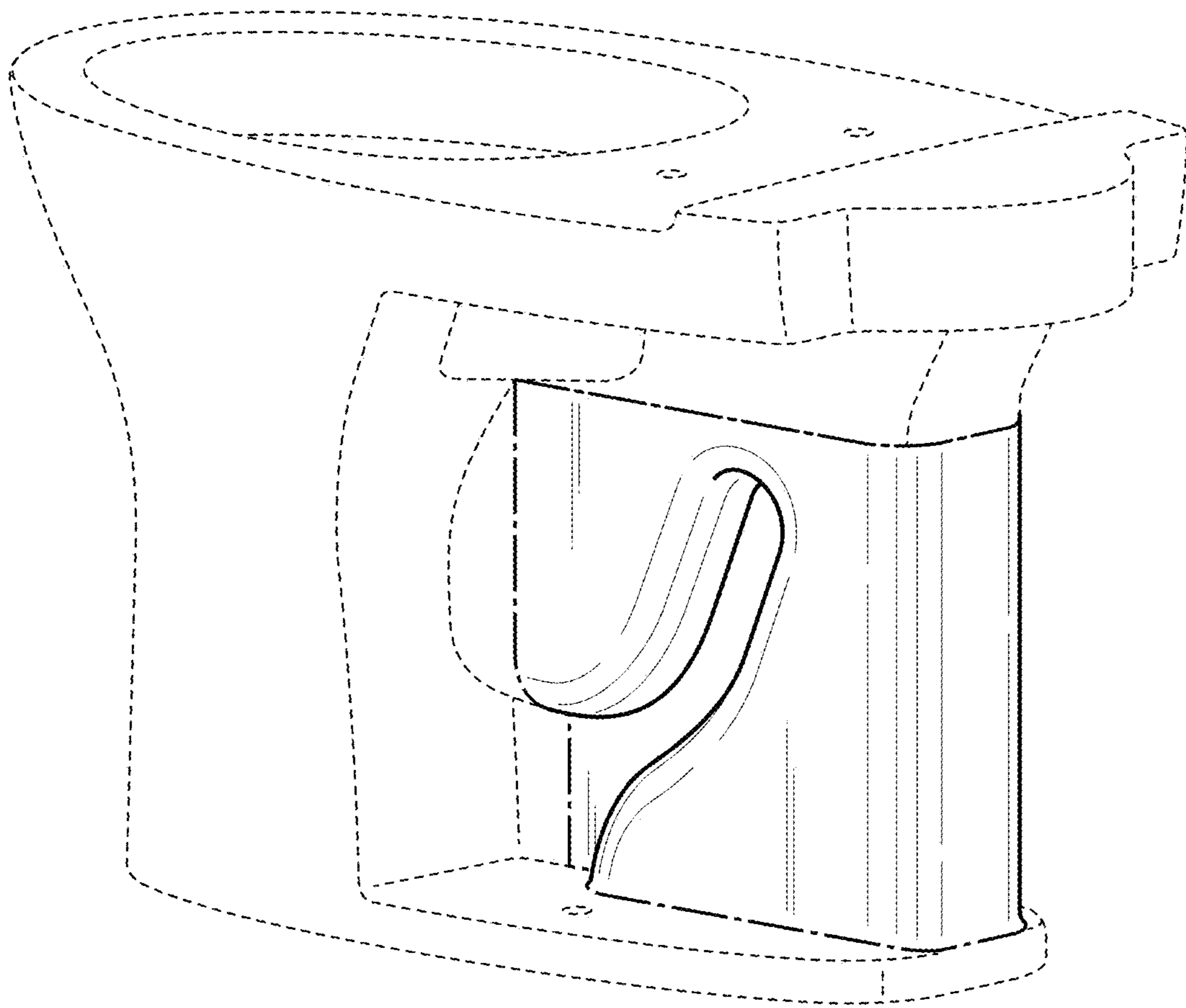


FIG. 2

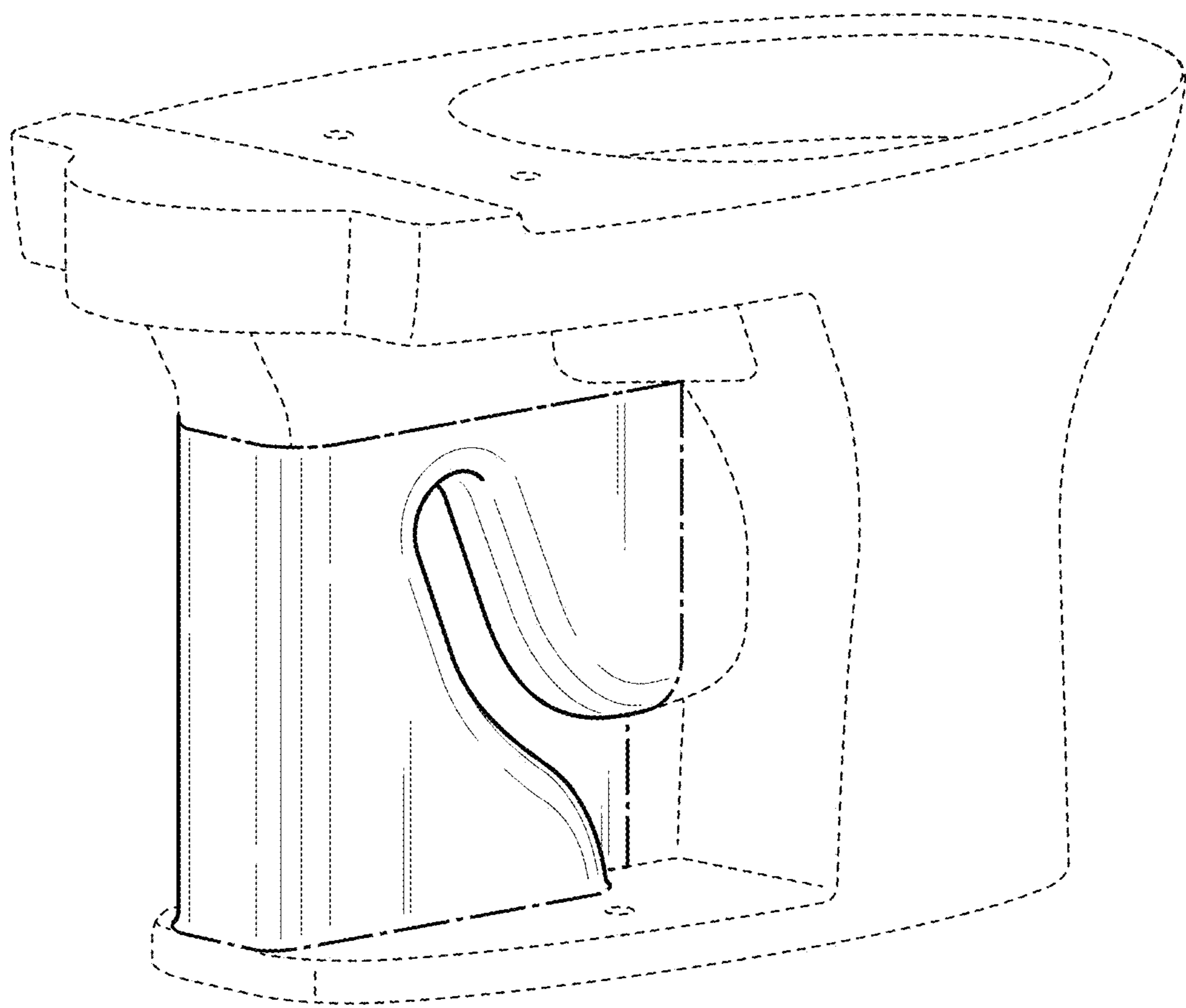


FIG. 3

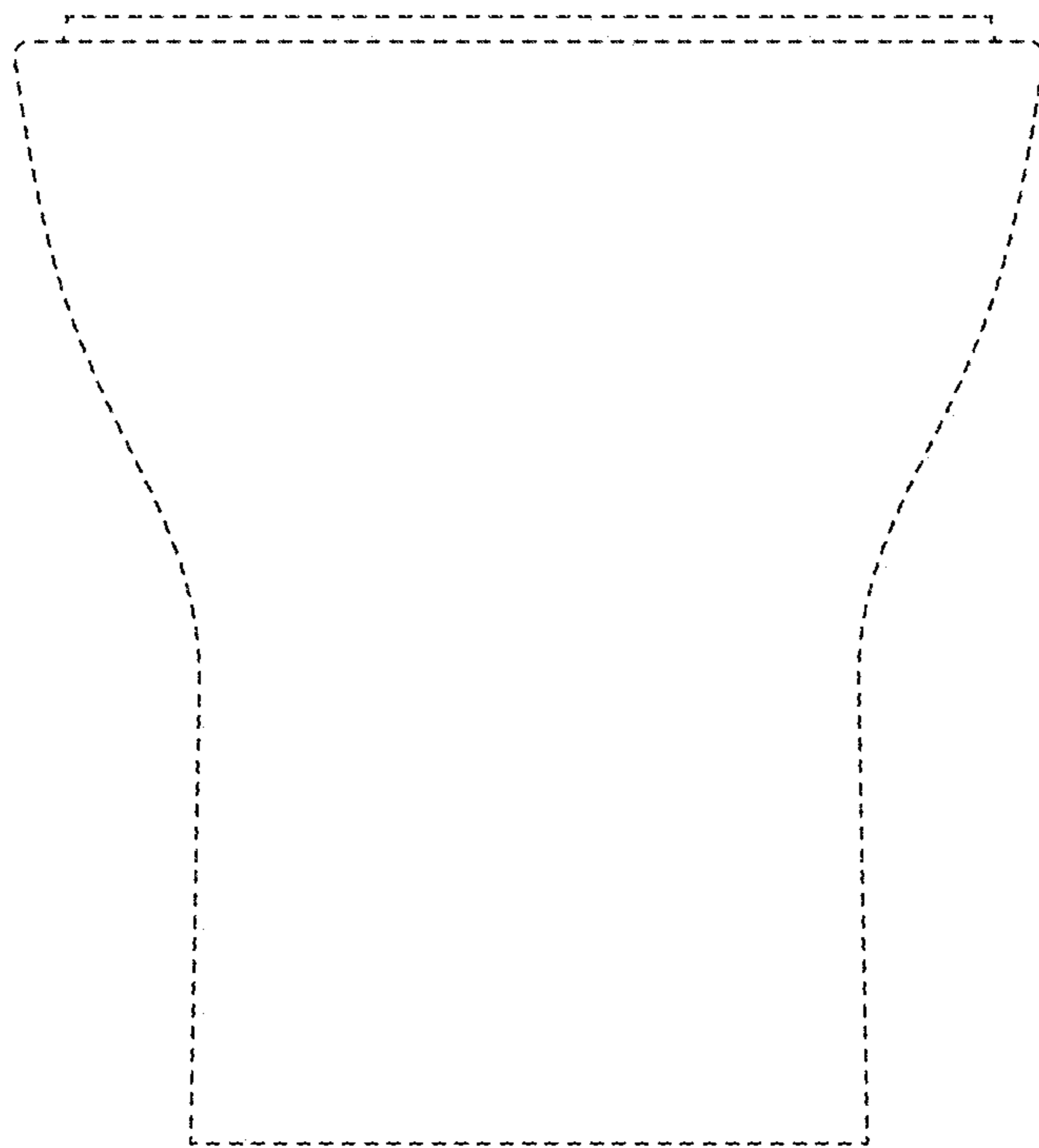


FIG. 4

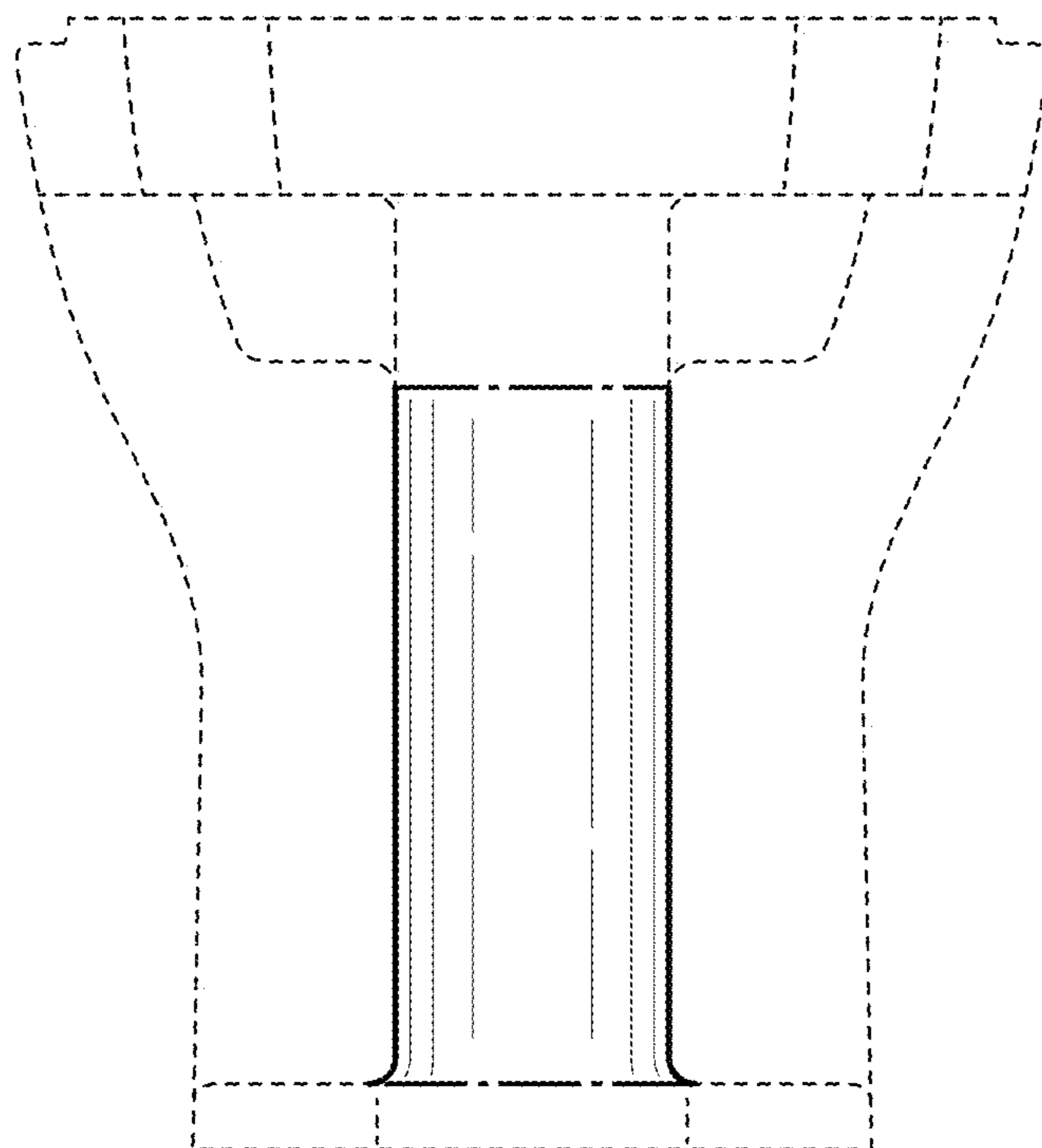


FIG. 5

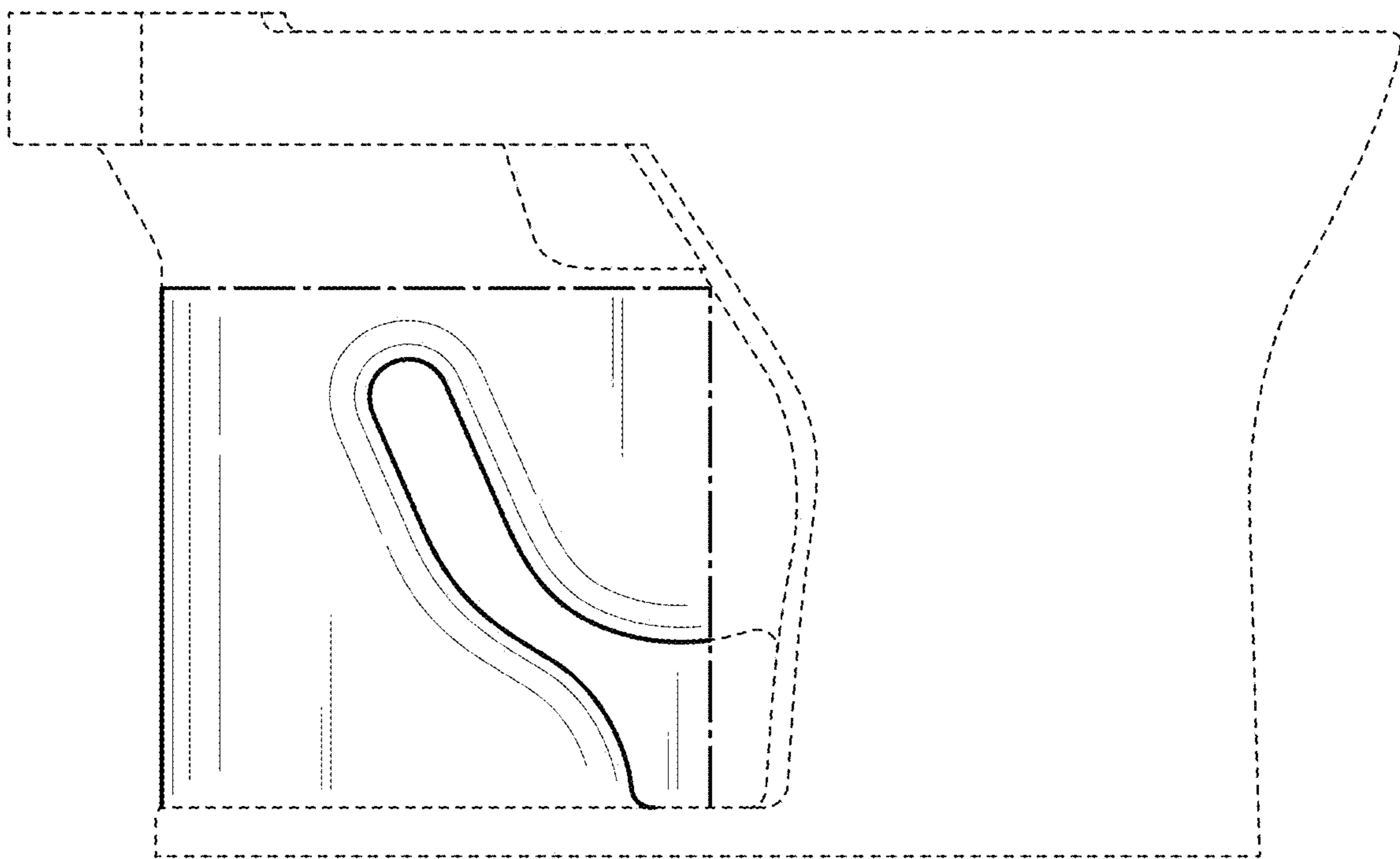


FIG. 6

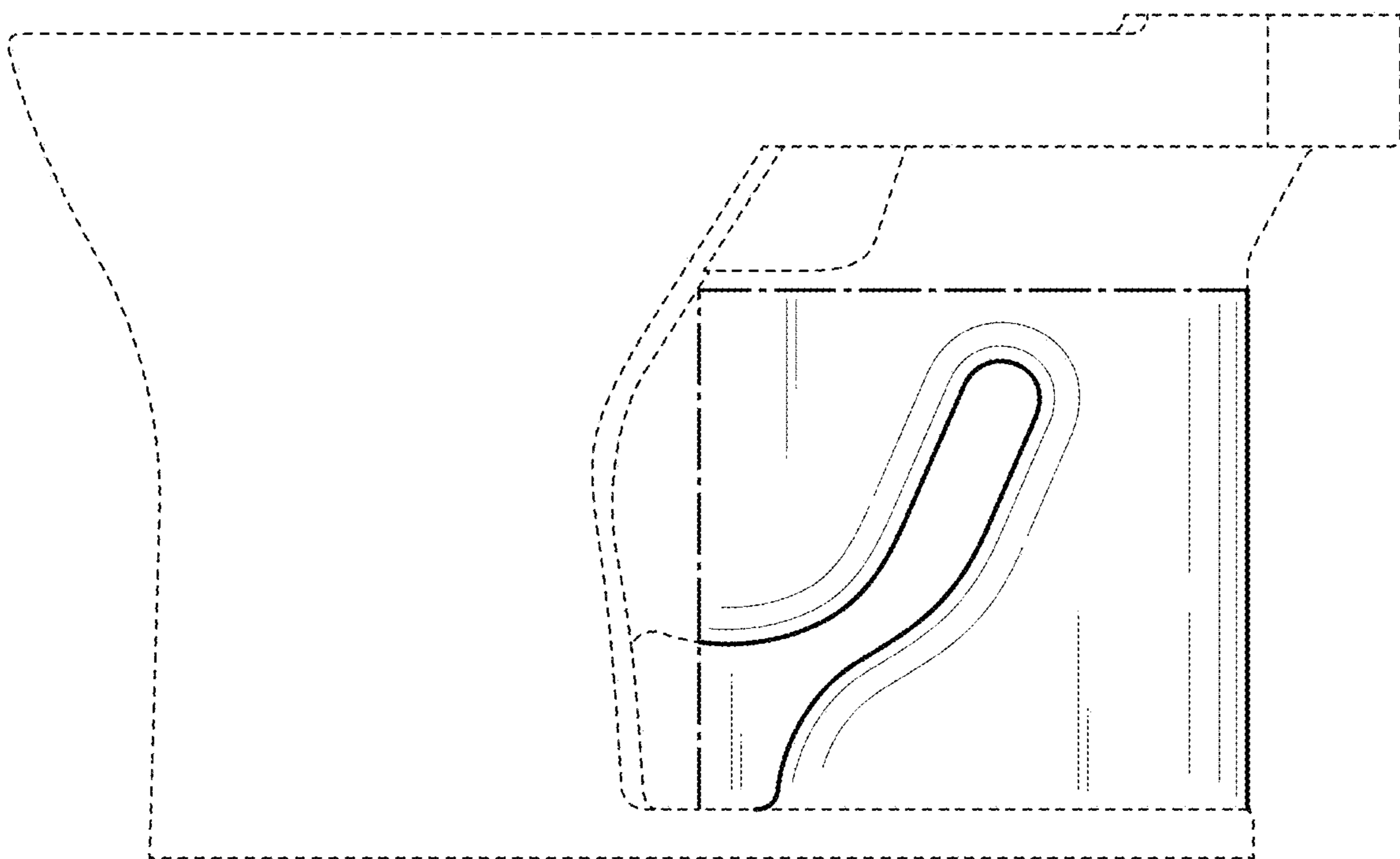


FIG. 7

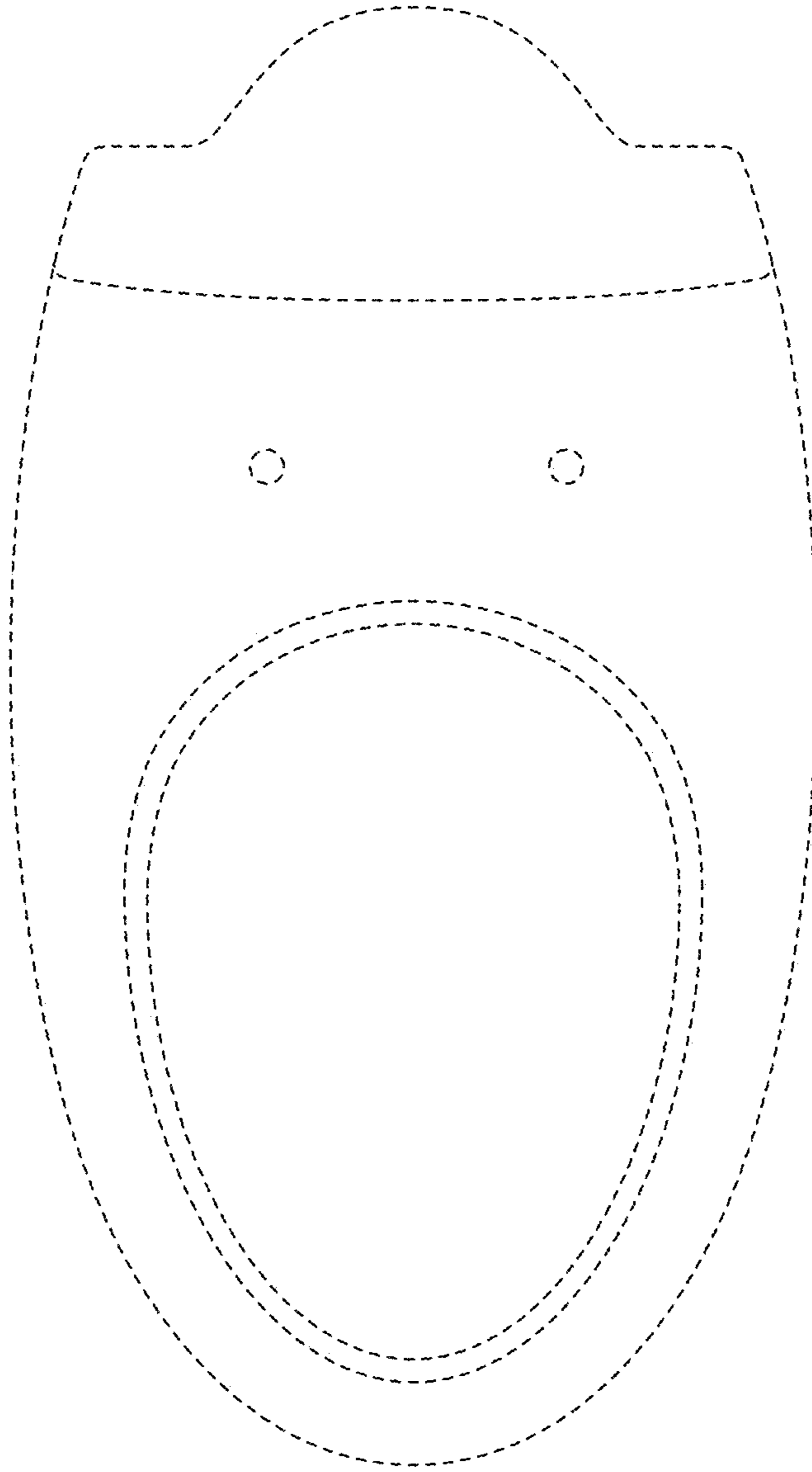


FIG. 8

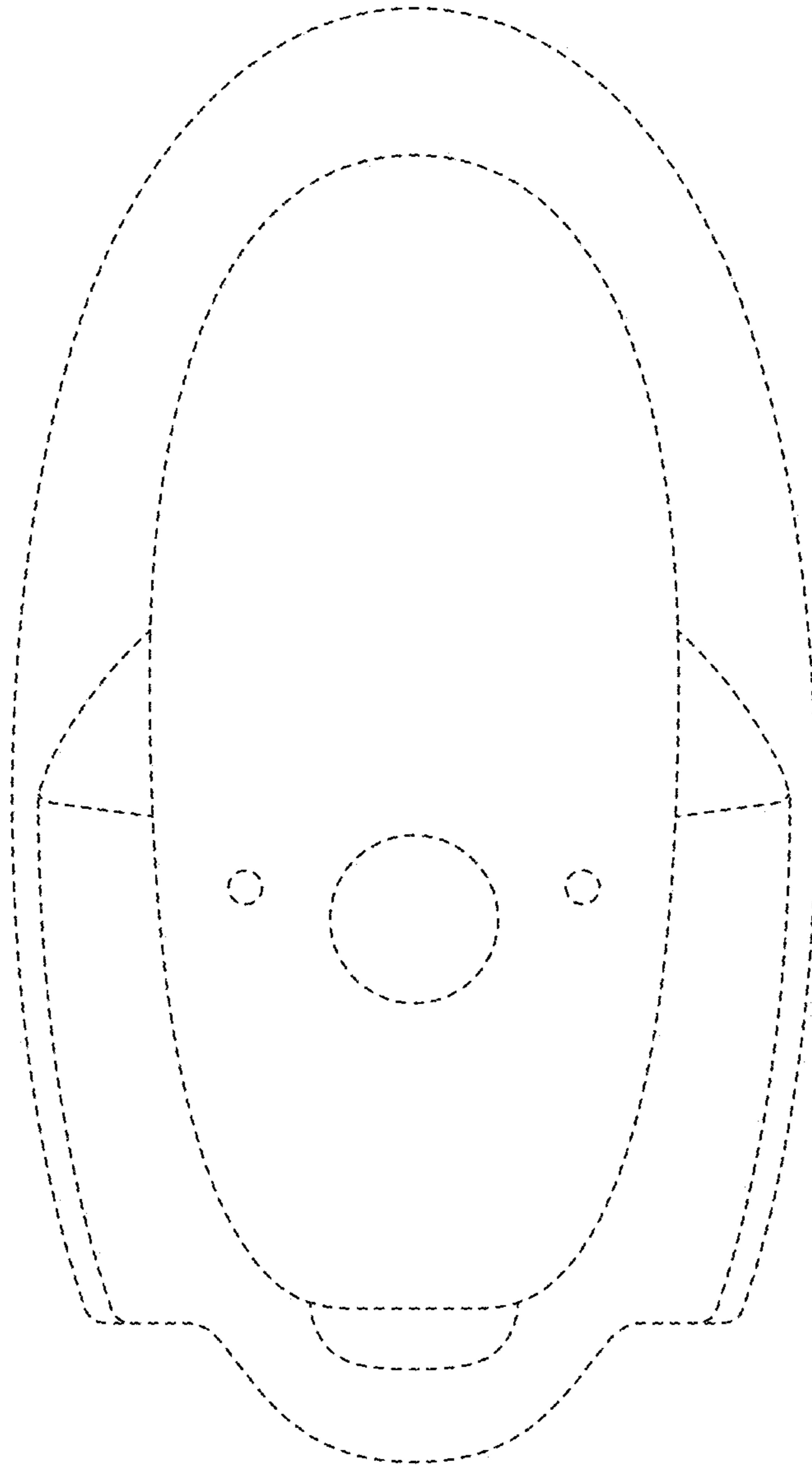


FIG. 9