



US00D882727S

(12) **United States Design Patent**  
**Lee**

(10) **Patent No.:** **US D882,727 S**  
(45) **Date of Patent:** **\*\* Apr. 28, 2020**

(54) **FLOATING UV FILTER**

D854,121 S 7/2019 Zou  
D858,695 S \* 9/2019 Chen ..... D23/209  
D863,500 S 10/2019 Zou

(71) Applicant: **Ming-Yu Lee, Kee Long (CN)**

(72) Inventor: **Ming-Yu Lee, Kee Long (CN)**

(\*\*) Term: **15 Years**

(21) Appl. No.: **29/721,372**

(22) Filed: **Jan. 21, 2020**

(51) **LOC (12) Cl.** ..... **23-01**

(52) **U.S. Cl.**  
USPC ..... **D23/207**

(58) **Field of Classification Search**  
USPC ..... D23/201, 207, 208, 209, 210  
CPC ..... B05B 17/08  
See application file for complete search history.

(56) **References Cited**

**U.S. PATENT DOCUMENTS**

D240,300 S *	6/1976	Gelman et al. ....	D23/209
4,217,331 A *	8/1980	Schaub .....	B01D 11/00 210/167.11
4,630,634 A *	12/1986	Sasaki .....	C02F 1/688 137/268
D371,824 S *	7/1996	Price .....	D23/207
D406,679 S *	3/1999	DePalma .....	D32/29.1
D406,874 S *	3/1999	Farley .....	D23/209
D475,116 S *	5/2003	Chan .....	D23/201
D631,128 S *	1/2011	Laporta .....	D23/201
D648,822 S *	11/2011	Salvador .....	D23/209
D759,195 S *	6/2016	Tanida .....	D23/209
D802,714 S *	11/2017	Williamson .....	D23/213
D841,118 S *	2/2019	Tappeiner .....	D23/201
D841,769 S *	2/2019	Tappeiner .....	D23/201
D841,770 S *	2/2019	Tappeiner .....	D23/201
D846,069 S *	4/2019	Zou	
D849,209 S *	5/2019	Sapara, Jr. ....	D23/261

**OTHER PUBLICATIONS**

The Pond Boss, Complete Floating UV Filter with 200 GPH Pump, Oct. 2016, online product page, retrieved from <URL:https://web.archive.org/web/20161028090836/http://thepondboss.net/product/fuvfl-complete-floating-uv-filter-with-pump/> (Year: 2016).\*

\* cited by examiner

*Primary Examiner* — Sheryl Lane  
*Assistant Examiner* — Calvin E Vansant

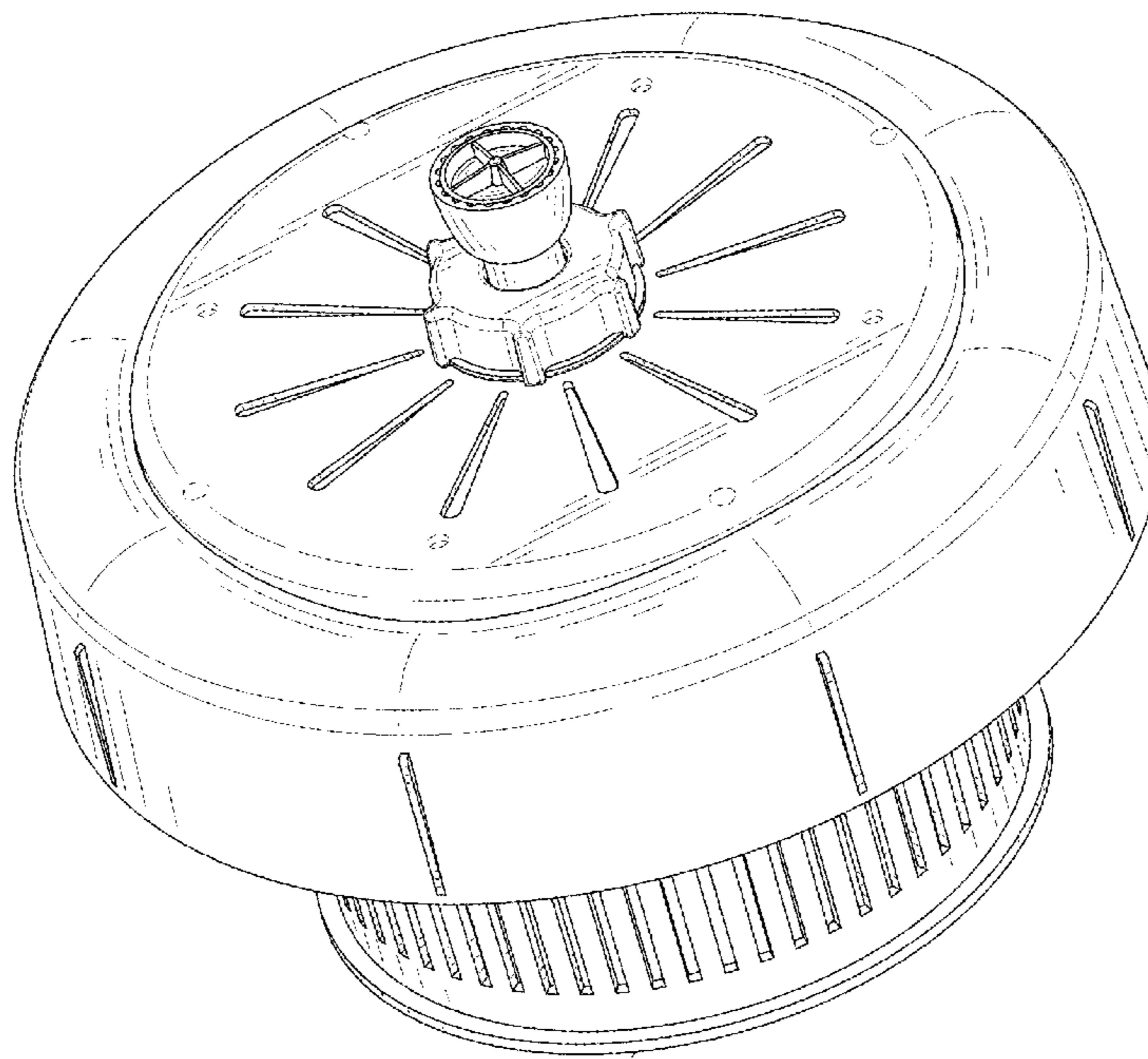
(57) **CLAIM**

The ornamental design for a floating UV filter, as shown and described.

**DESCRIPTION**

FIG. 1 is a perspective view of a floating UV filter showing my new design;  
FIG. 2 is another perspective view thereof;  
FIG. 3 is a front elevational view thereof;  
FIG. 4 is a rear elevational view thereof;  
FIG. 5 is a left side elevational view thereof;  
FIG. 6 is a right side elevational view thereof;  
FIG. 7 is a top plan view thereof;  
FIG. 8 is a bottom plan view thereof;  
FIG. 9 is a perspective view of the floating UV filter where the floating UV filter is in a configuration of use; and,  
FIG. 10 is another perspective view of the floating UV filter where the floating UV filter is in the configuration of use. The broken lines in the drawings depict portions of the floating UV filter that form no part of the claimed design.

**1 Claim, 10 Drawing Sheets**



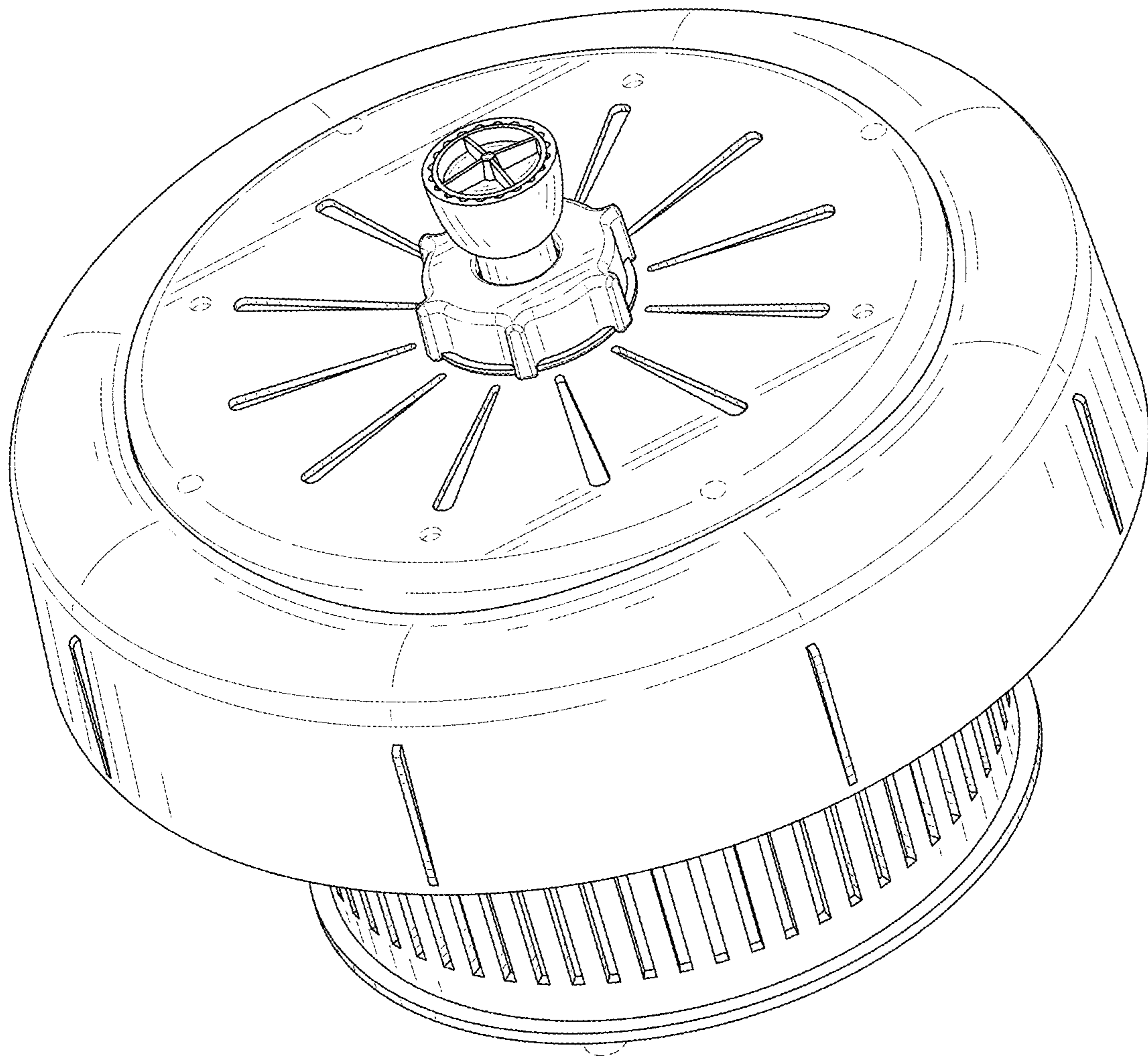


FIG. 1

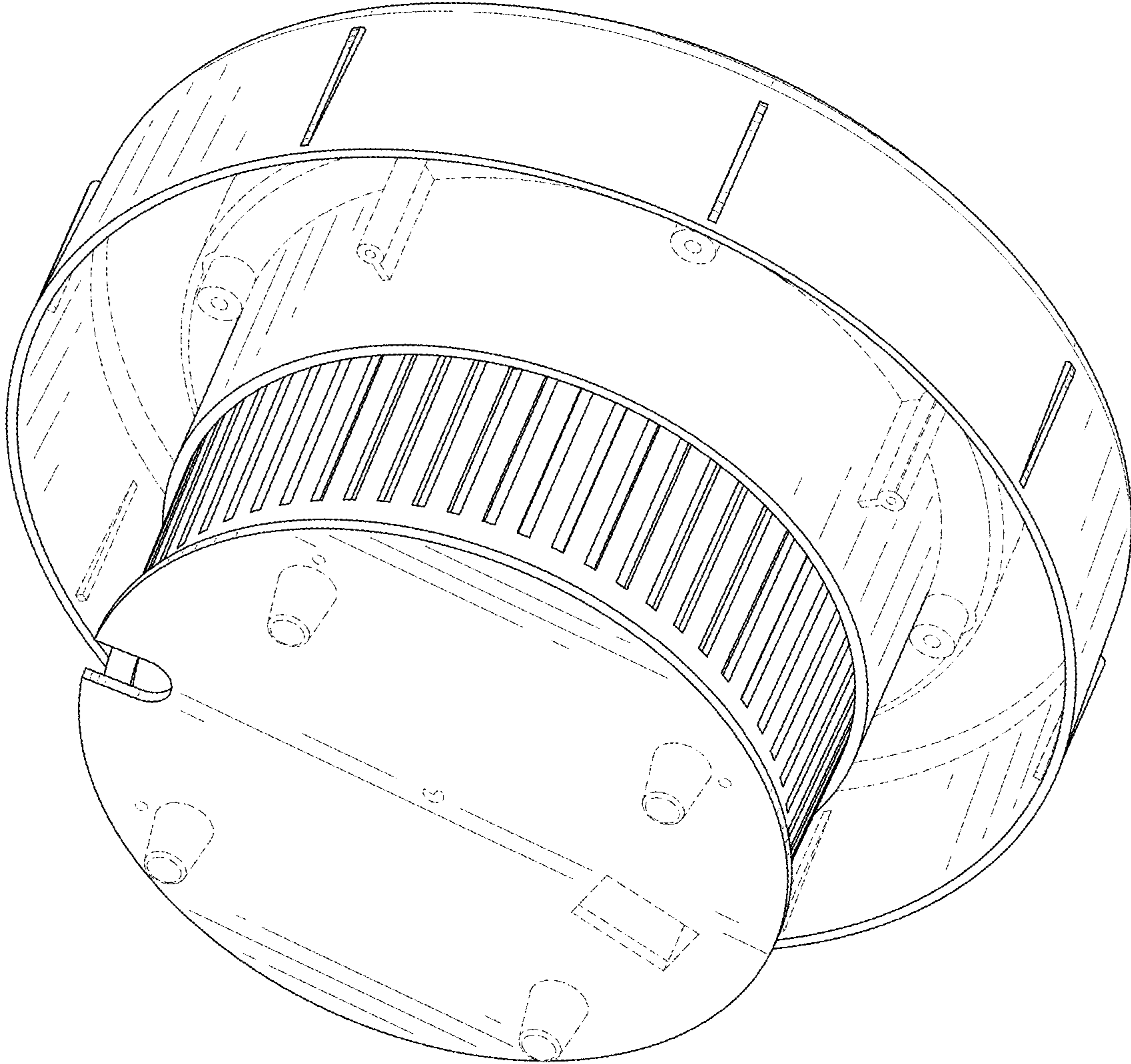


FIG. 2

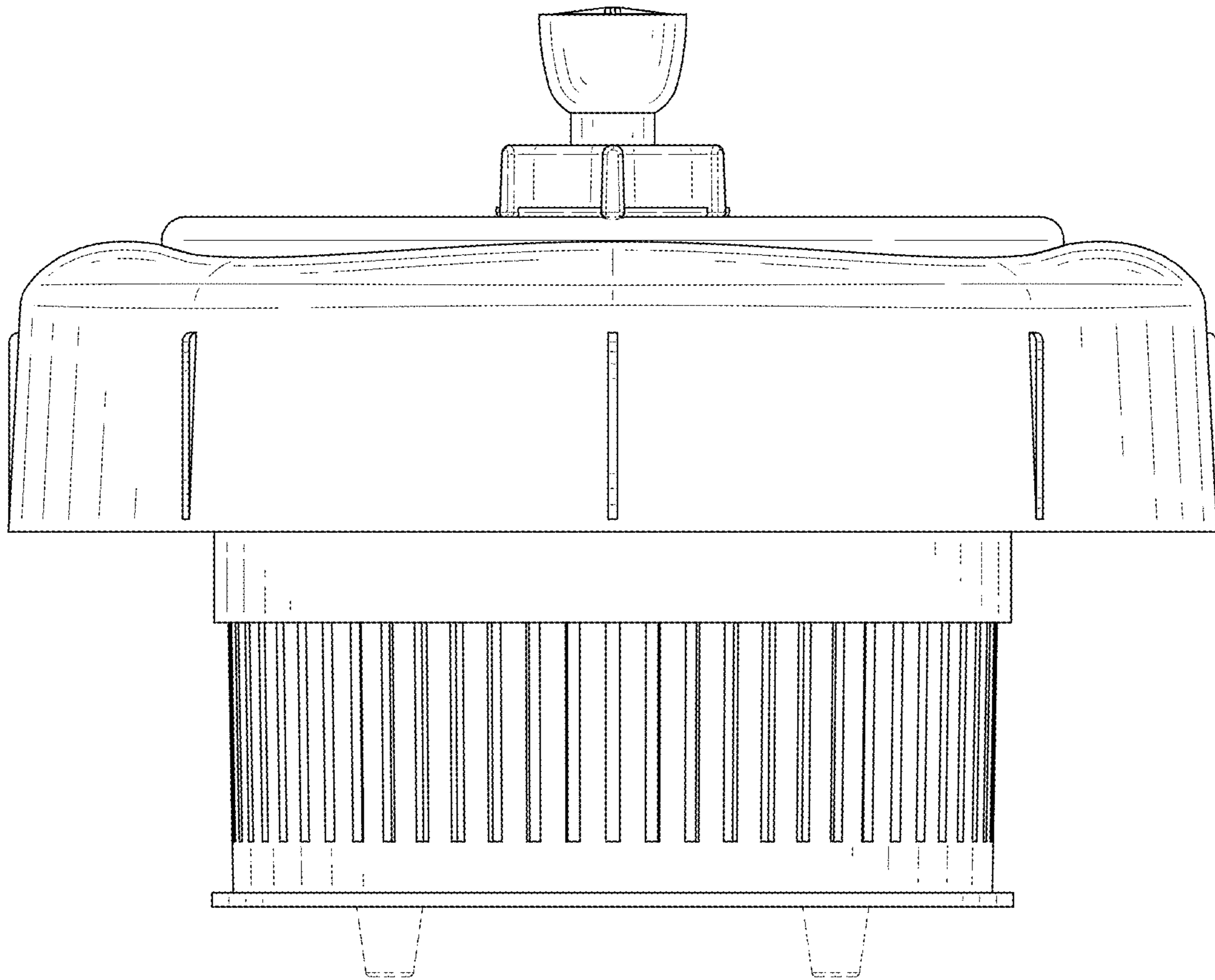


FIG. 3

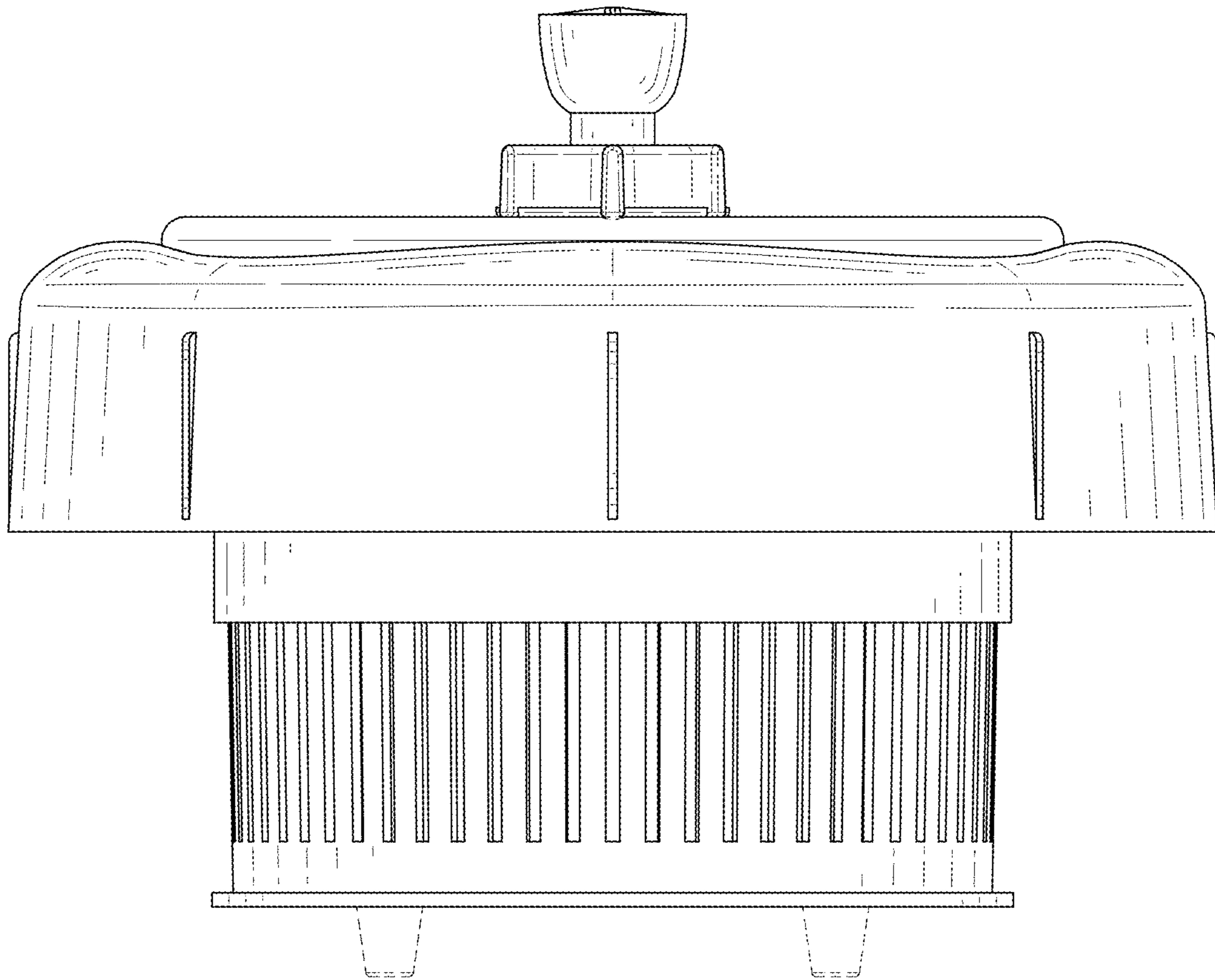


FIG. 4

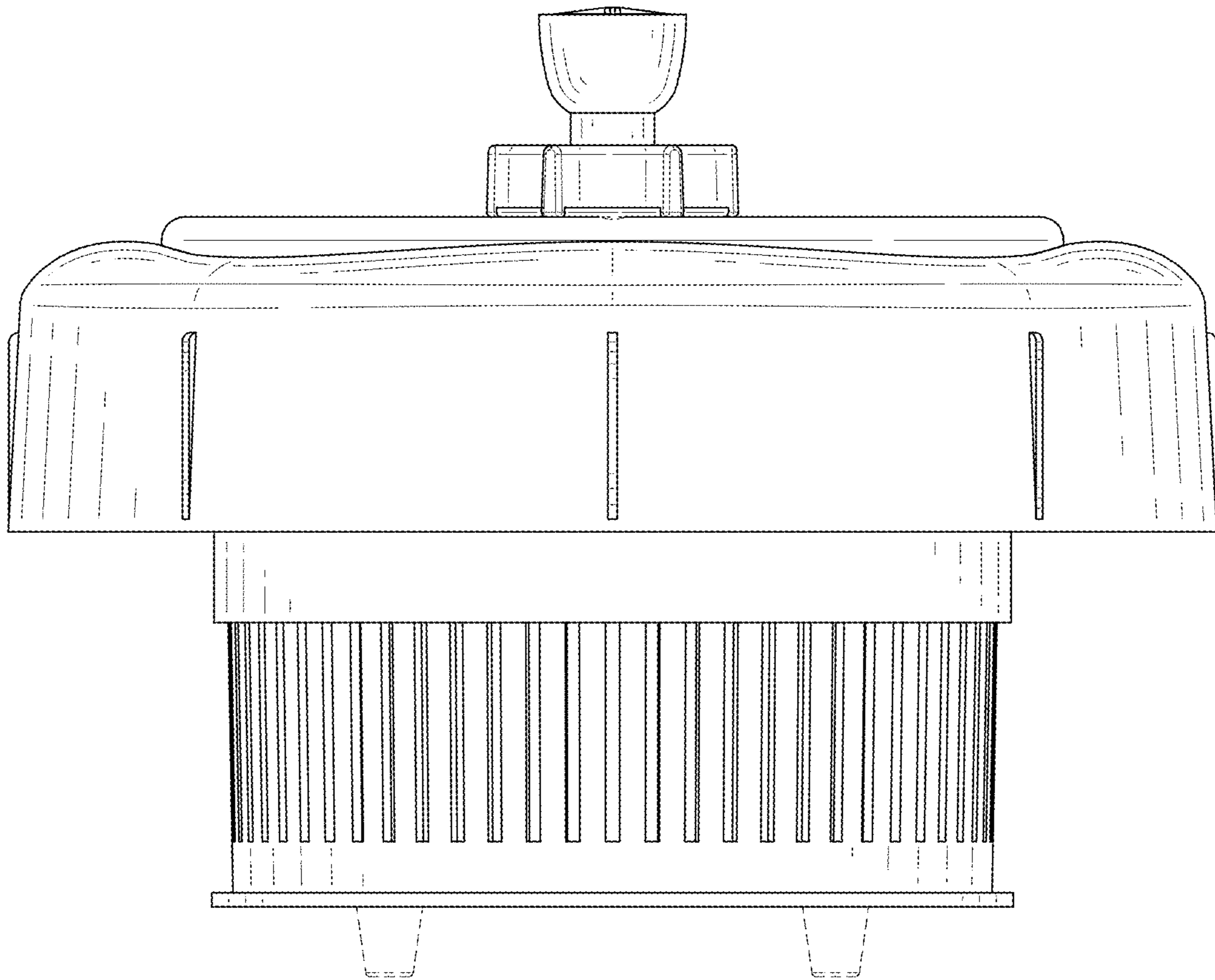


FIG. 5

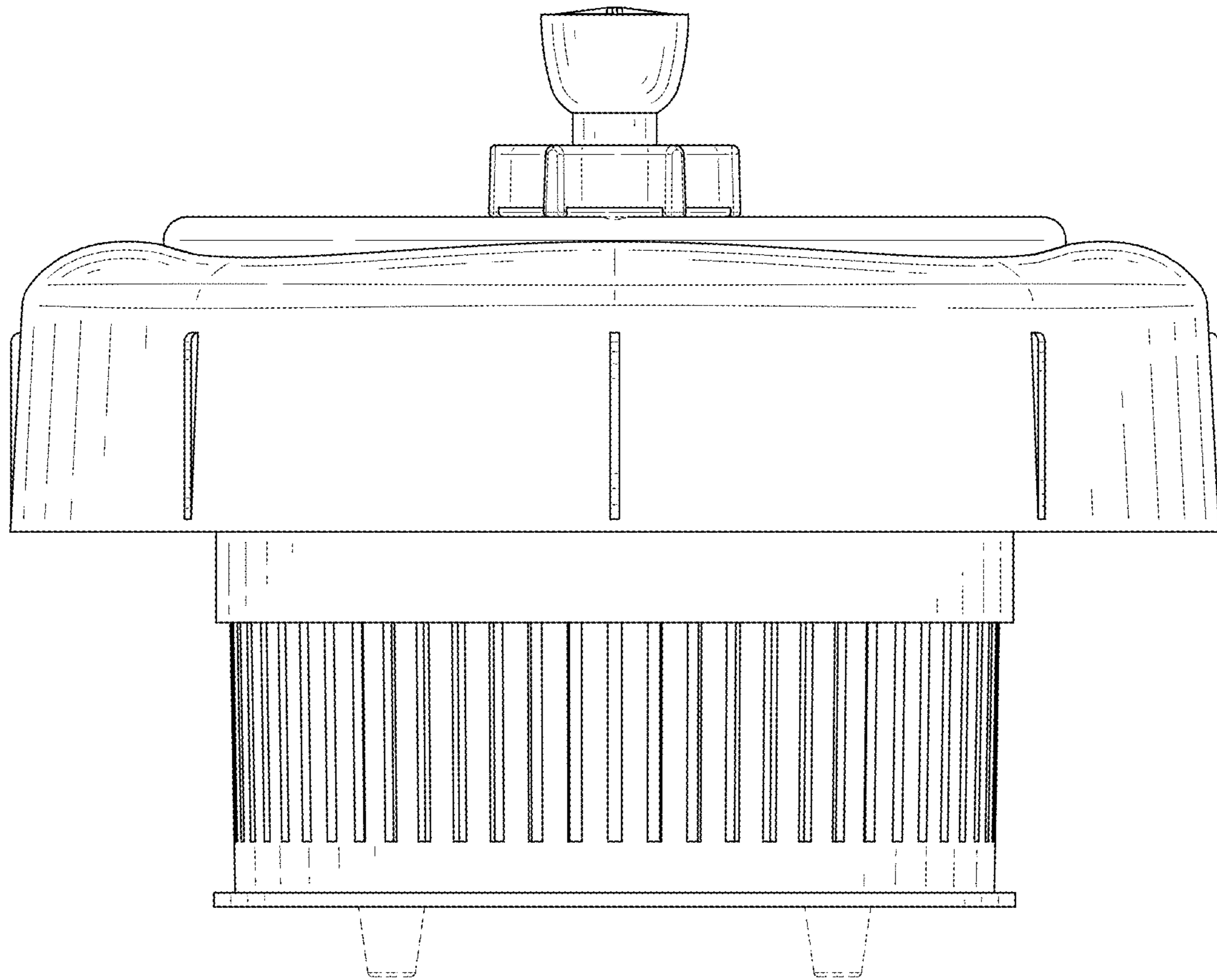


FIG. 6

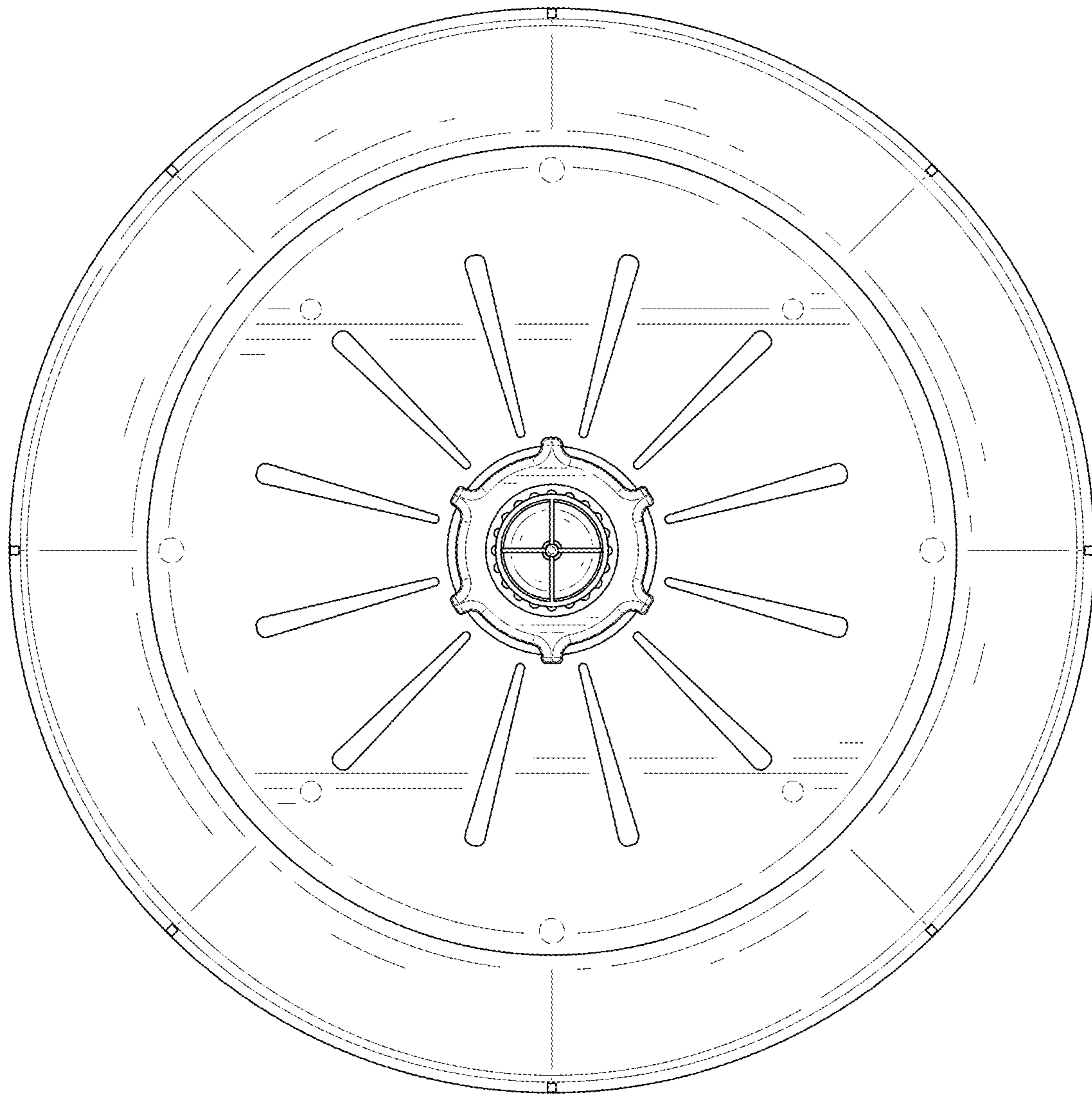


FIG. 7



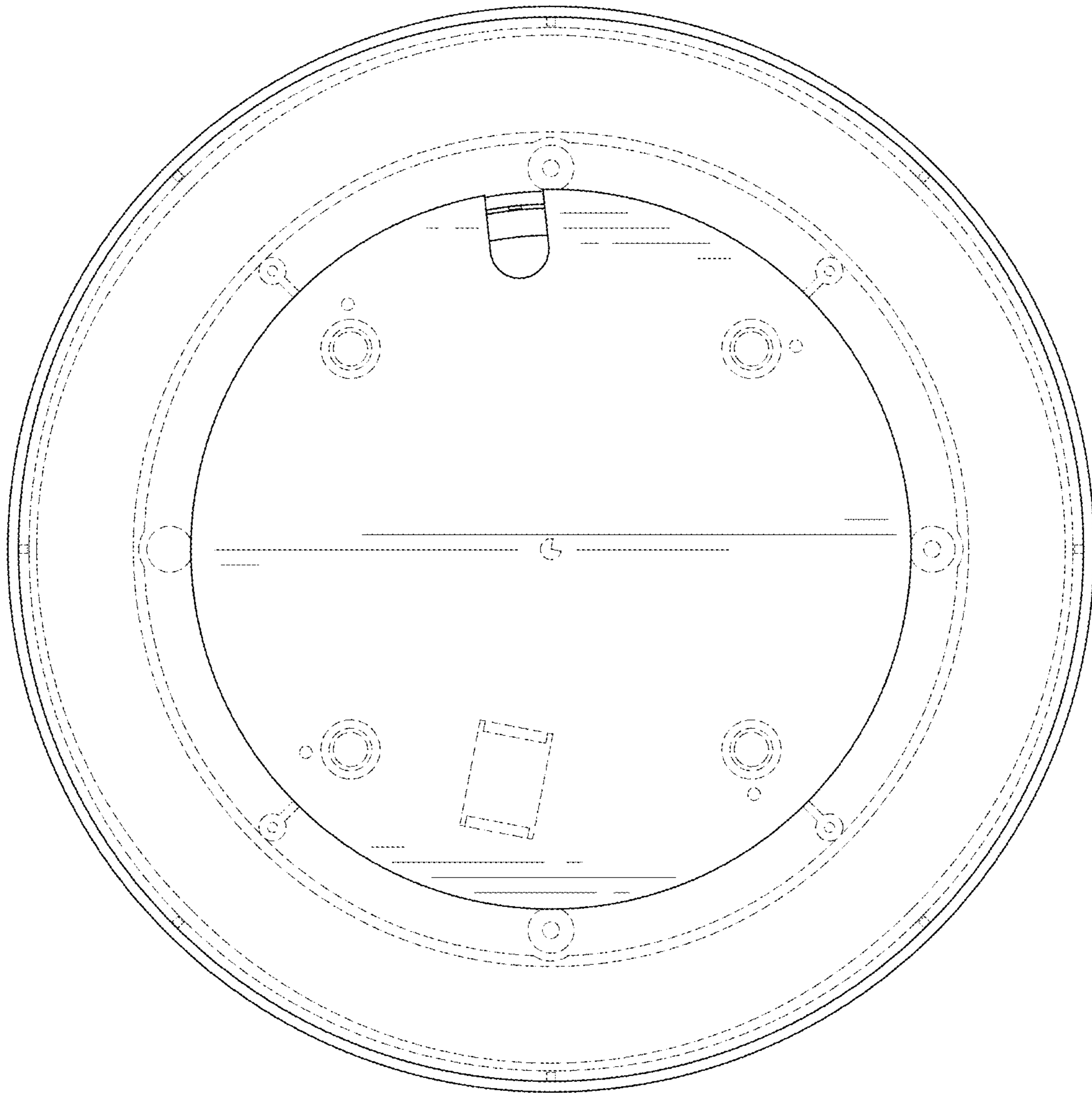


FIG. 8

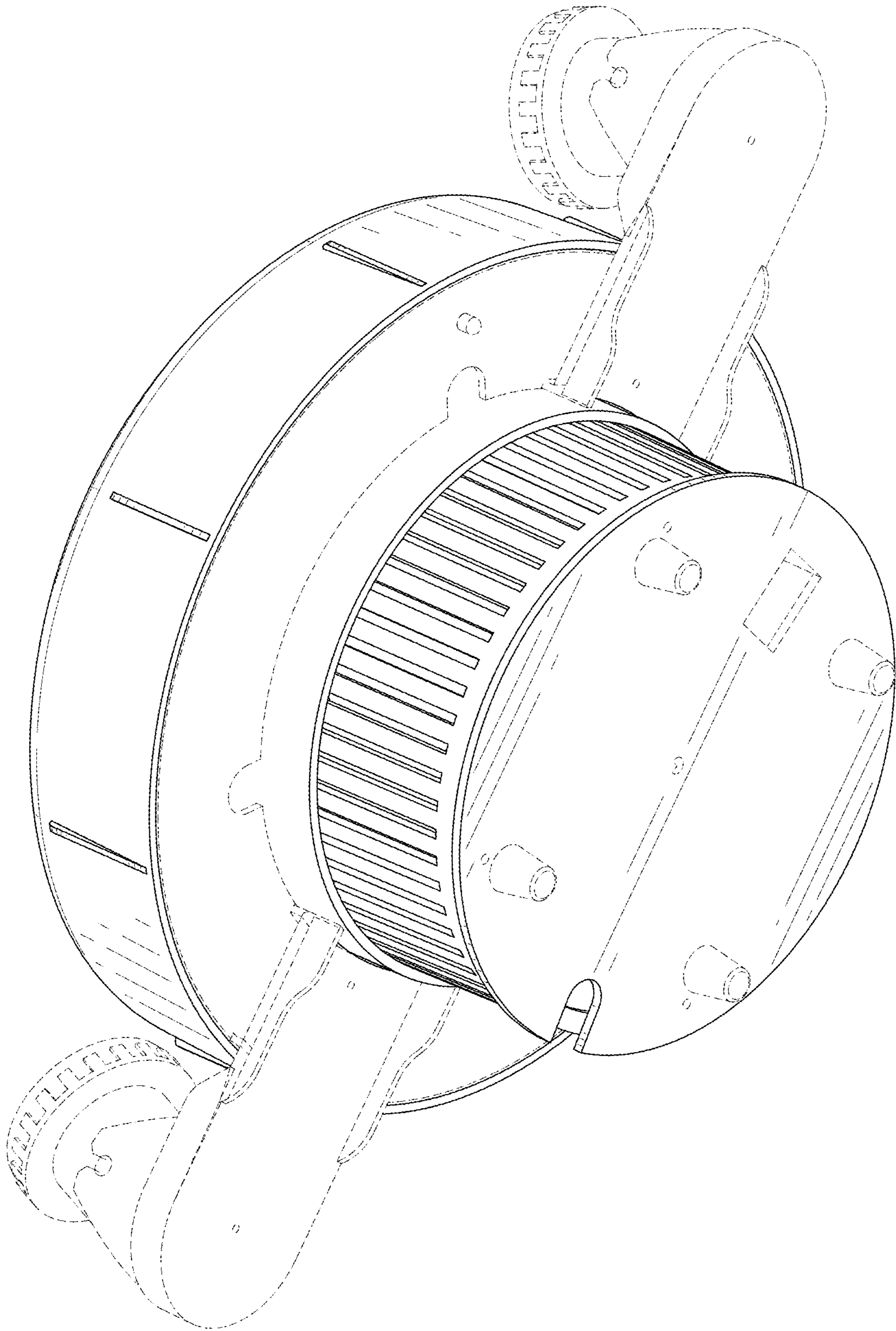


FIG. 9

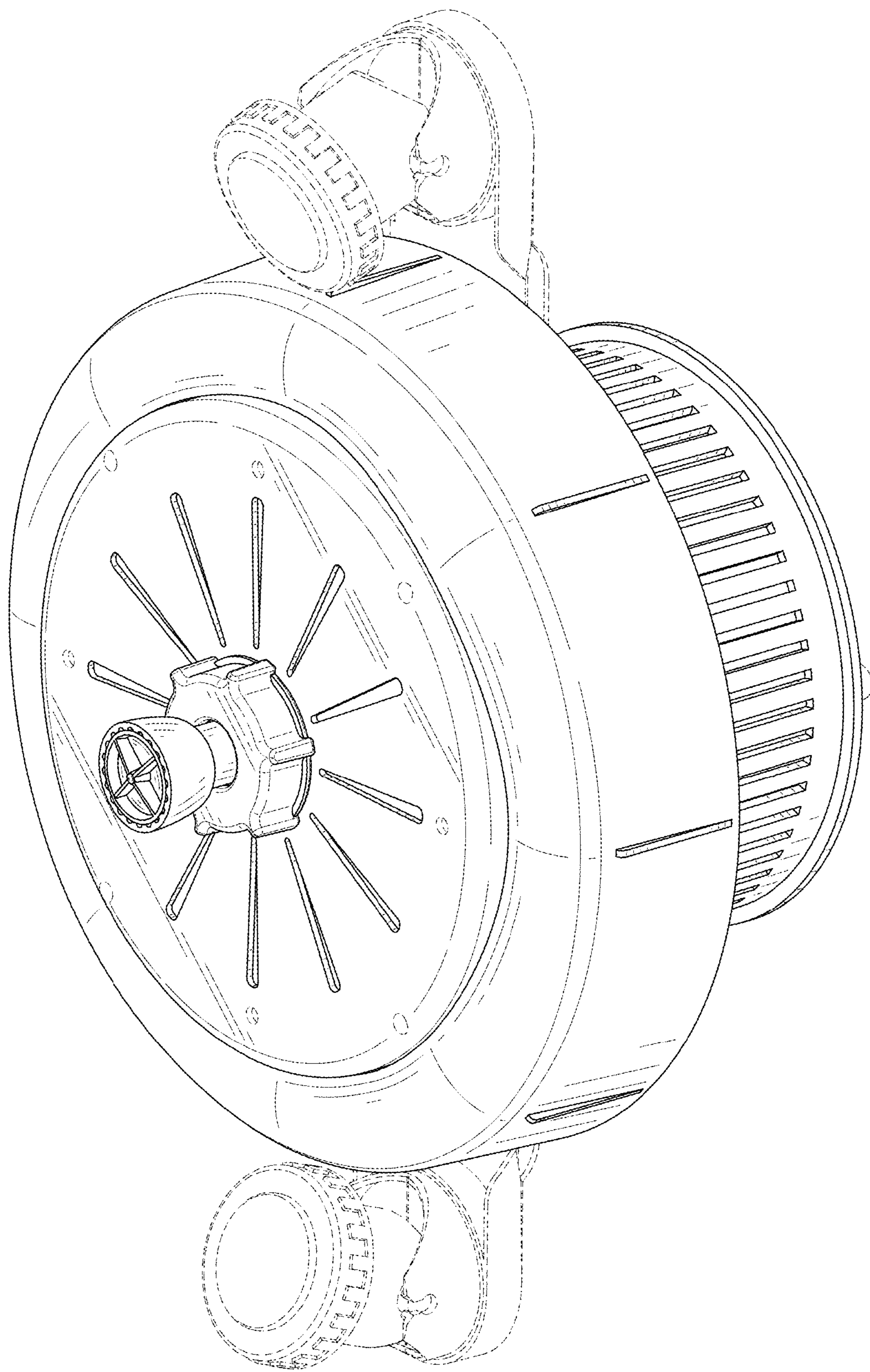


FIG. 10