



US00D882718S

(12) **United States Design Patent**
Wu

(10) **Patent No.:** **US D882,718 S**
(45) **Date of Patent:** **** Apr. 28, 2020**

(54) **MAGNETIC GUN MOUNT**

(71) Applicant: **Qingqu Wu**, Shenzhen (CN)

(72) Inventor: **Qingqu Wu**, Shenzhen (CN)

(**) Term: **15 Years**

(21) Appl. No.: **29/719,981**

(22) Filed: **Jan. 9, 2020**

(51) **LOC (12) Cl.** **22-01**

(52) **U.S. Cl.**
USPC **D22/110**

(58) **Field of Classification Search**
USPC D22/110
CPC A47B 81/005; B60R 7/14
See application file for complete search history.

(56) **References Cited**

U.S. PATENT DOCUMENTS

D806,818 S	1/2018	Major	
D835,748 S	12/2018	Stewart	
2015/0377578 A1*	12/2015	Tucker F41A 23/18 248/309.4
2016/0095432 A1*	4/2016	Wirthlin F41C 33/06 312/321.5
2018/0142989 A1*	5/2018	Tedder F16M 13/02
2020/0049444 A1*	2/2020	Cerda F41A 23/18

* cited by examiner

Primary Examiner — Michael A. Pratt
(74) *Attorney, Agent, or Firm* — Tony Hom

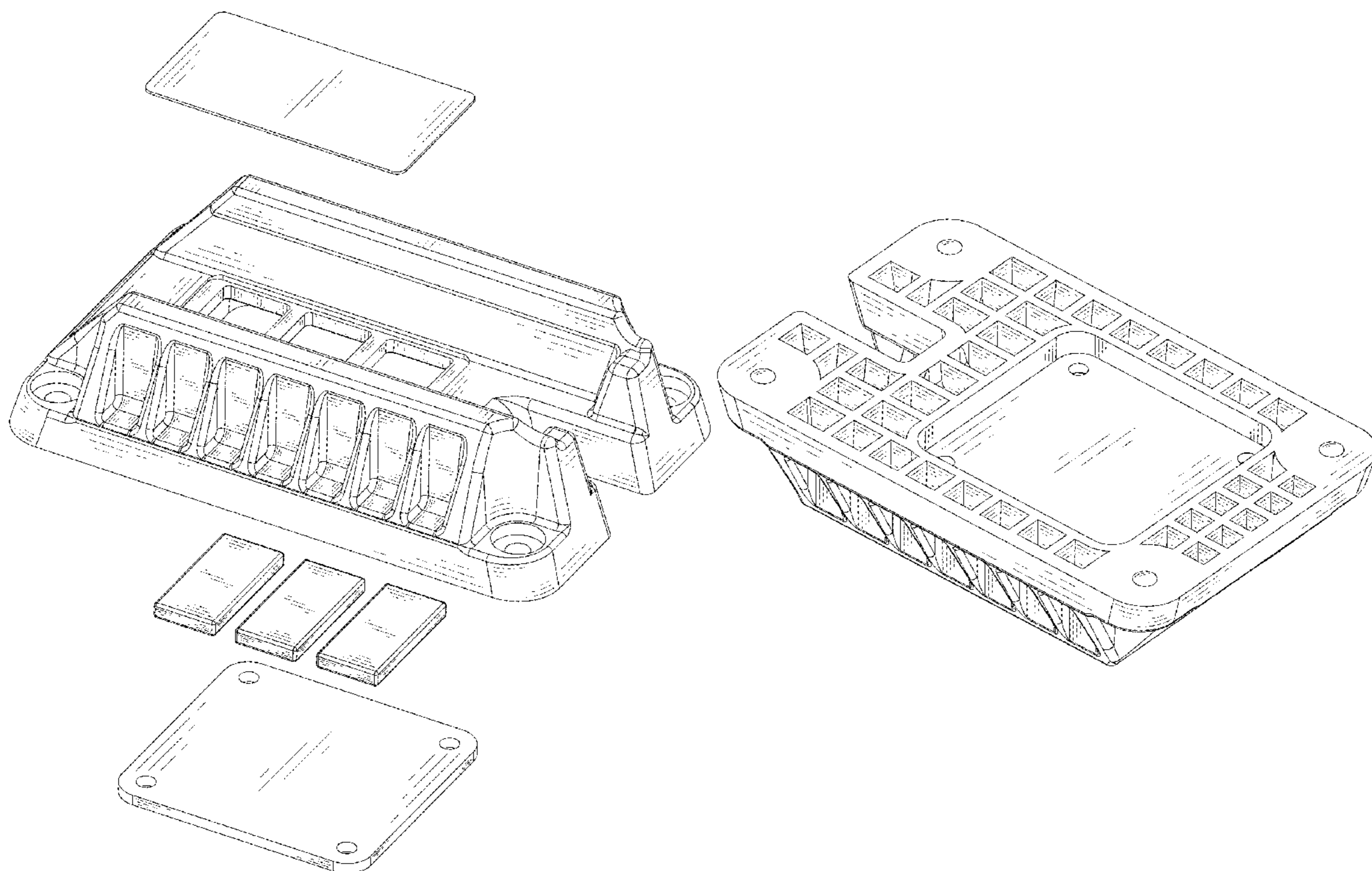
(57) **CLAIM**

The ornamental design for a magnetic gun mount, as shown and described.

DESCRIPTION

FIG. 1 is an overall parts drawing view of the magnetic gun mount showing my new design;
 FIG. 2 is a perspective top plan overall assembly drawing view of the magnetic gun mount showing my new design;
 FIG. 3 is another perspective view thereof;
 FIG. 4 is a front elevational view thereof;
 FIG. 5 is a rear elevational view thereof;
 FIG. 6 is a left side elevational view thereof;
 FIG. 7 is a right side elevational view thereof;
 FIG. 8 is a top plan view thereof;
 FIG. 9 is a bottom plan view thereof;
 FIG. 10 is one of the perspective overall parts drawing view thereof;
 FIG. 11 is another perspective view thereof;
 FIG. 12 is a front elevational view thereof;
 FIG. 13 is a rear elevational view thereof;
 FIG. 14 is a left side elevational view thereof;
 FIG. 15 is a right side elevational view thereof;
 FIG. 16 is a top plan view thereof; and,
 FIG. 17 is a bottom plan view thereof.

1 Claim, 17 Drawing Sheets



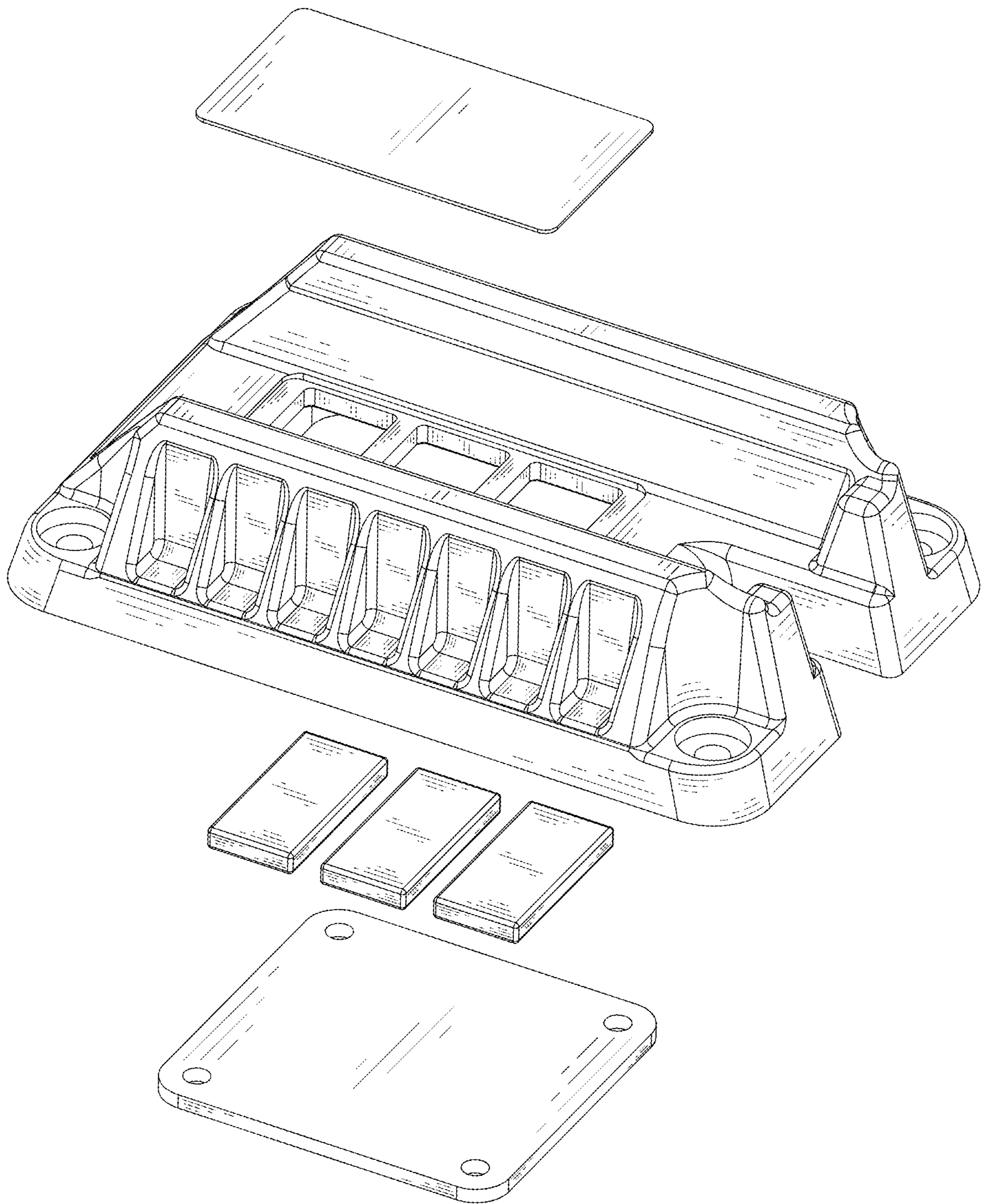


FIG. 1

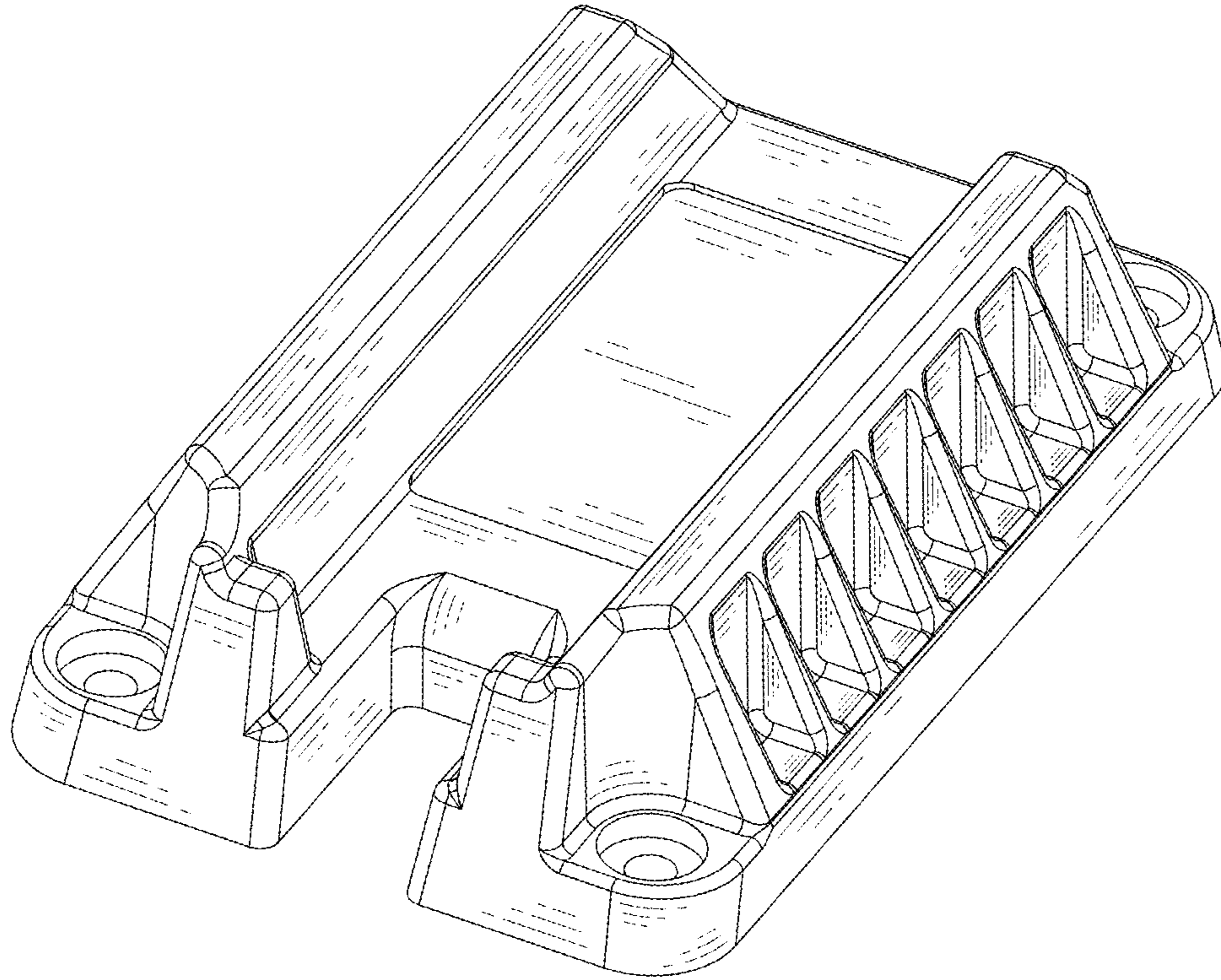


FIG. 2

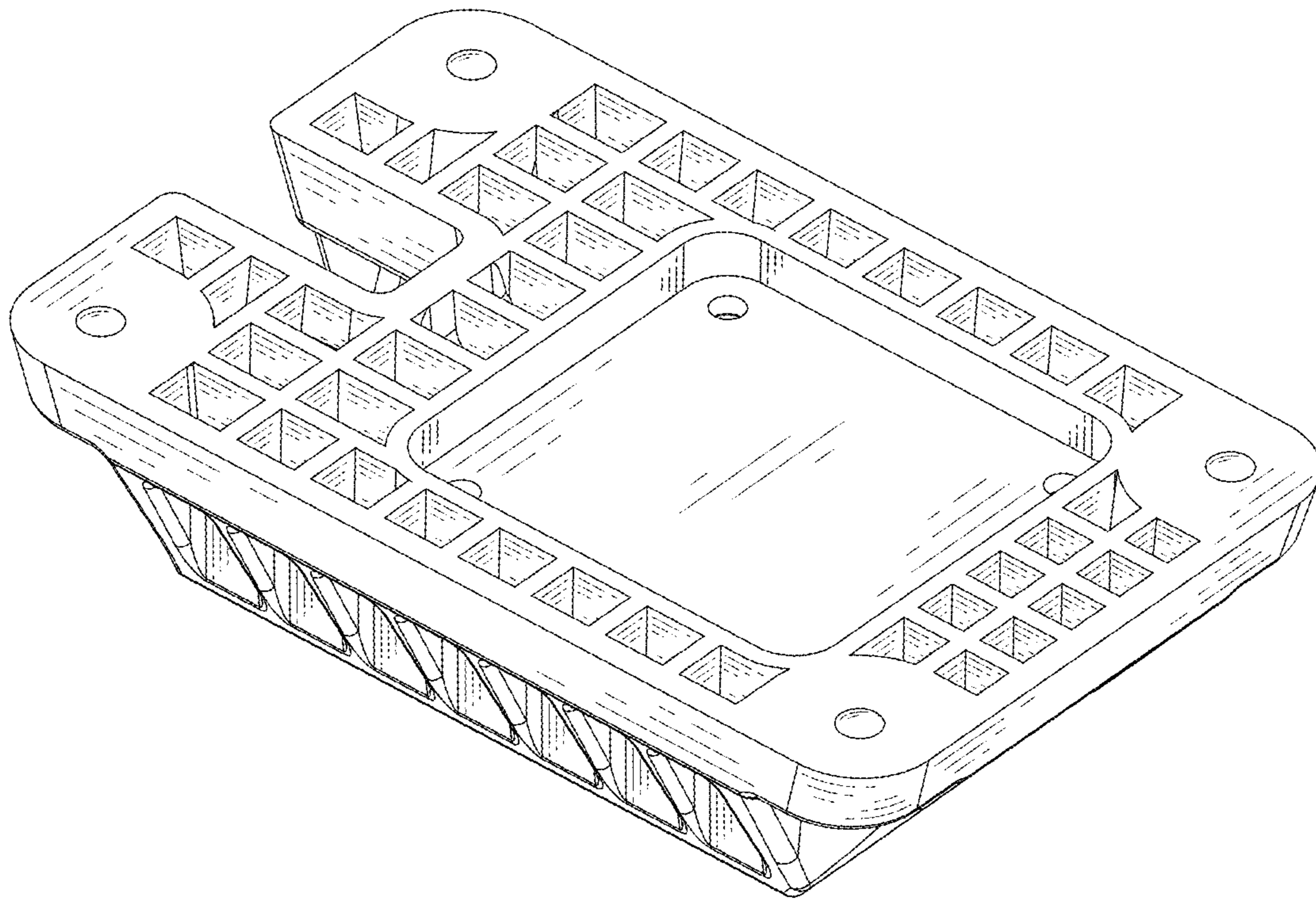


FIG. 3

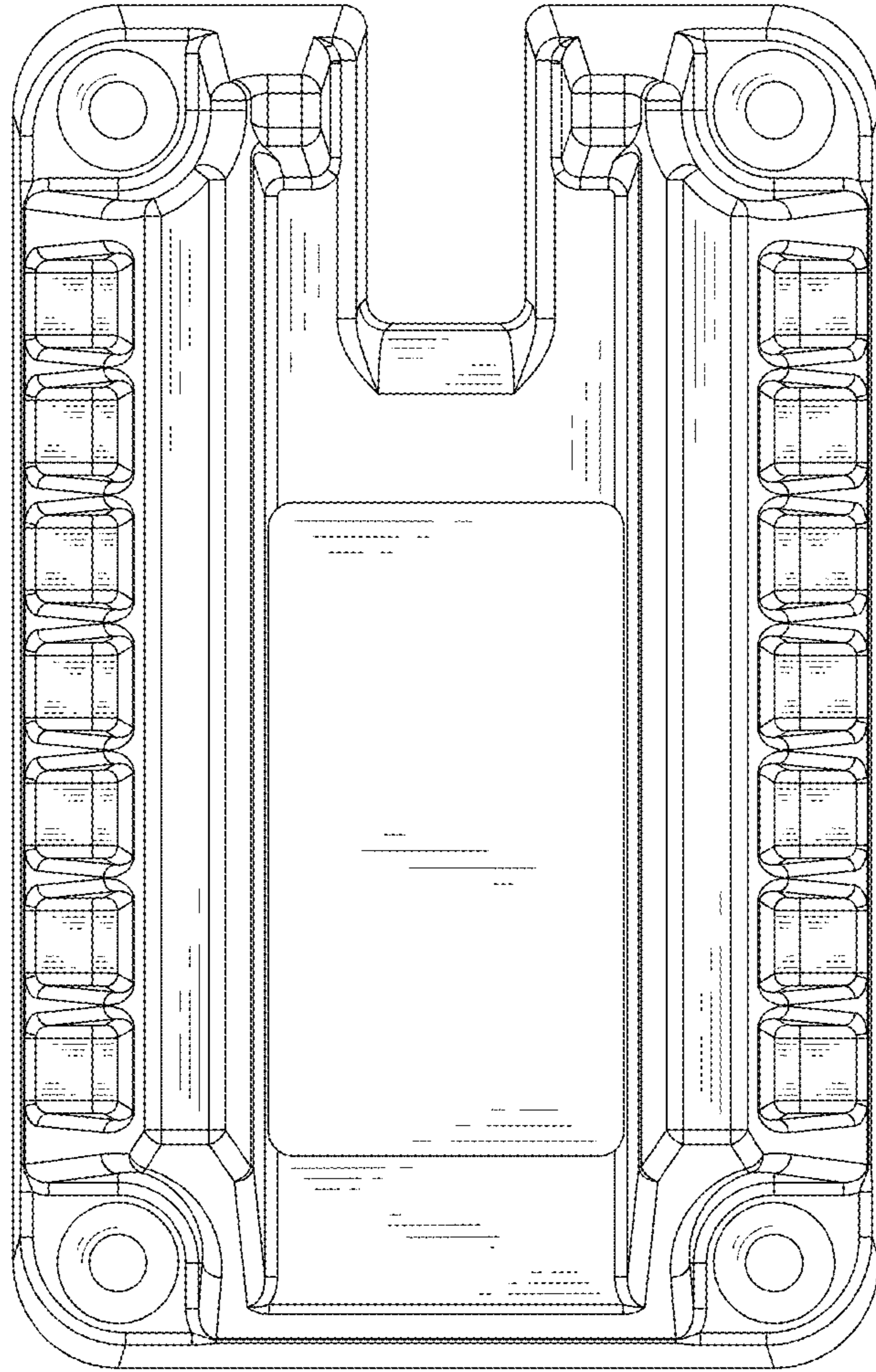


FIG. 4

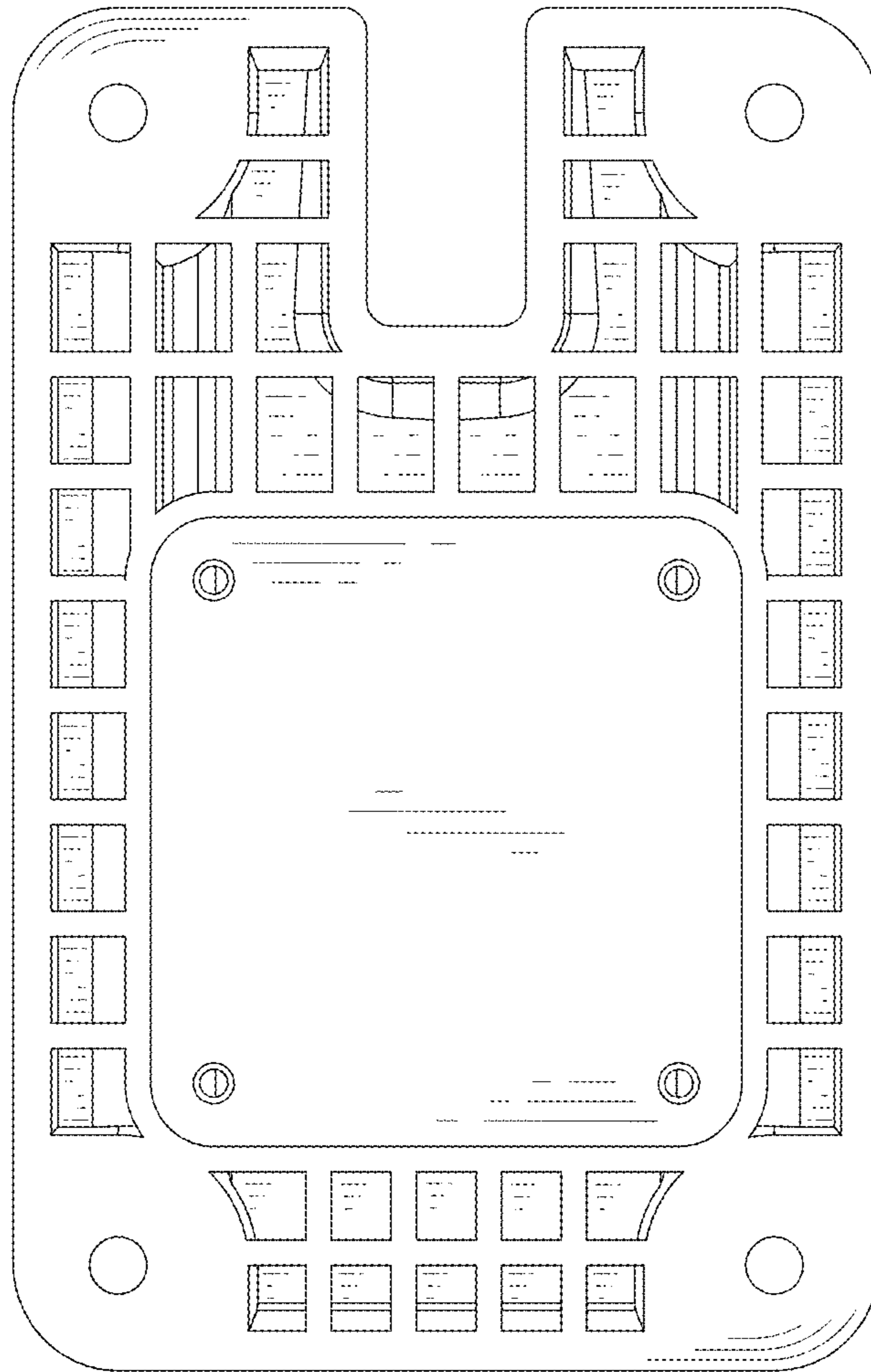


FIG. 5

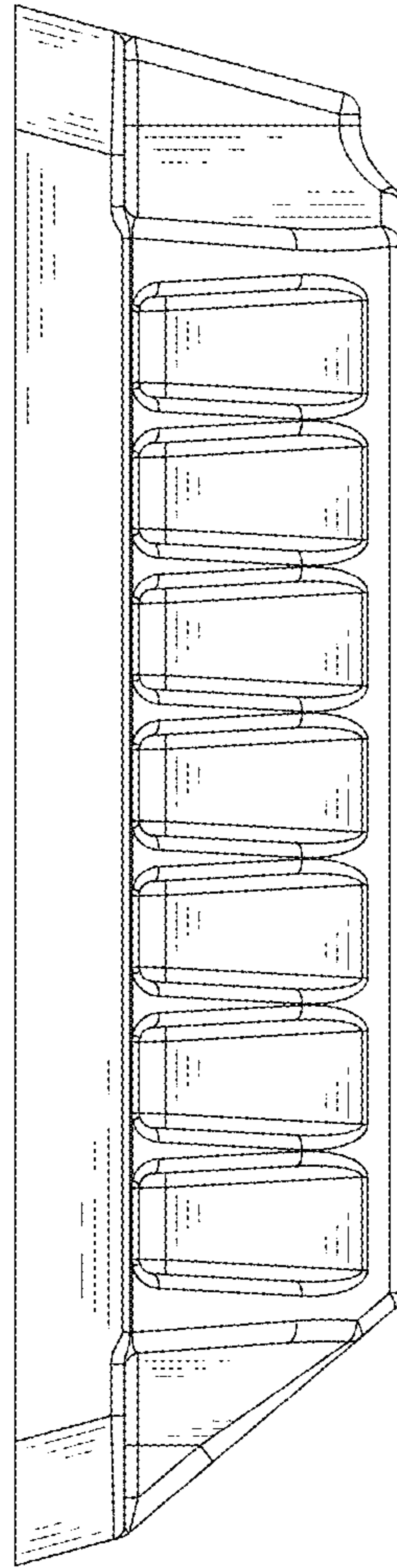


FIG. 6

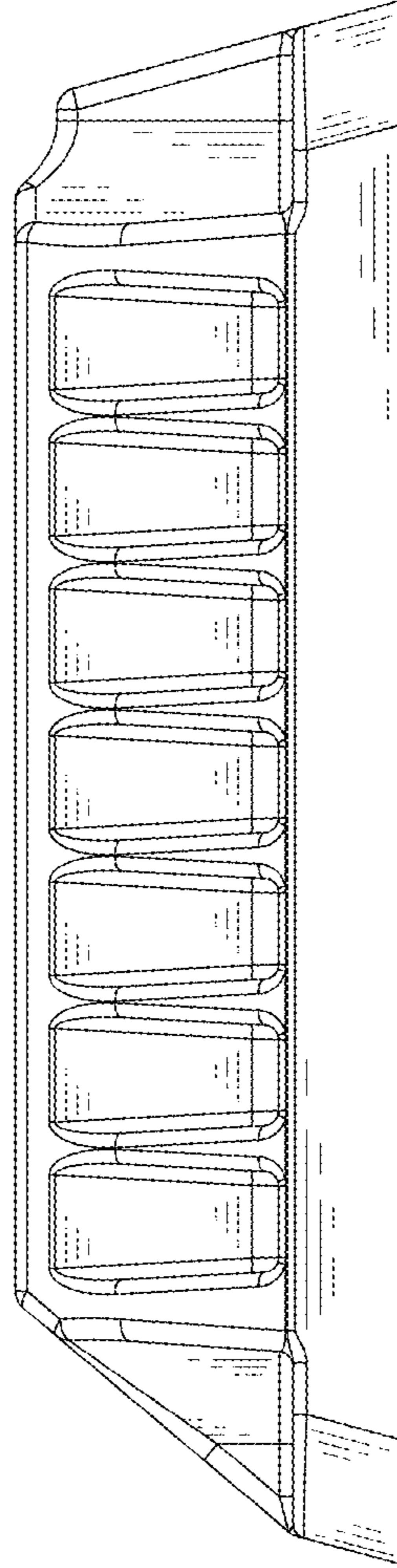


FIG. 7

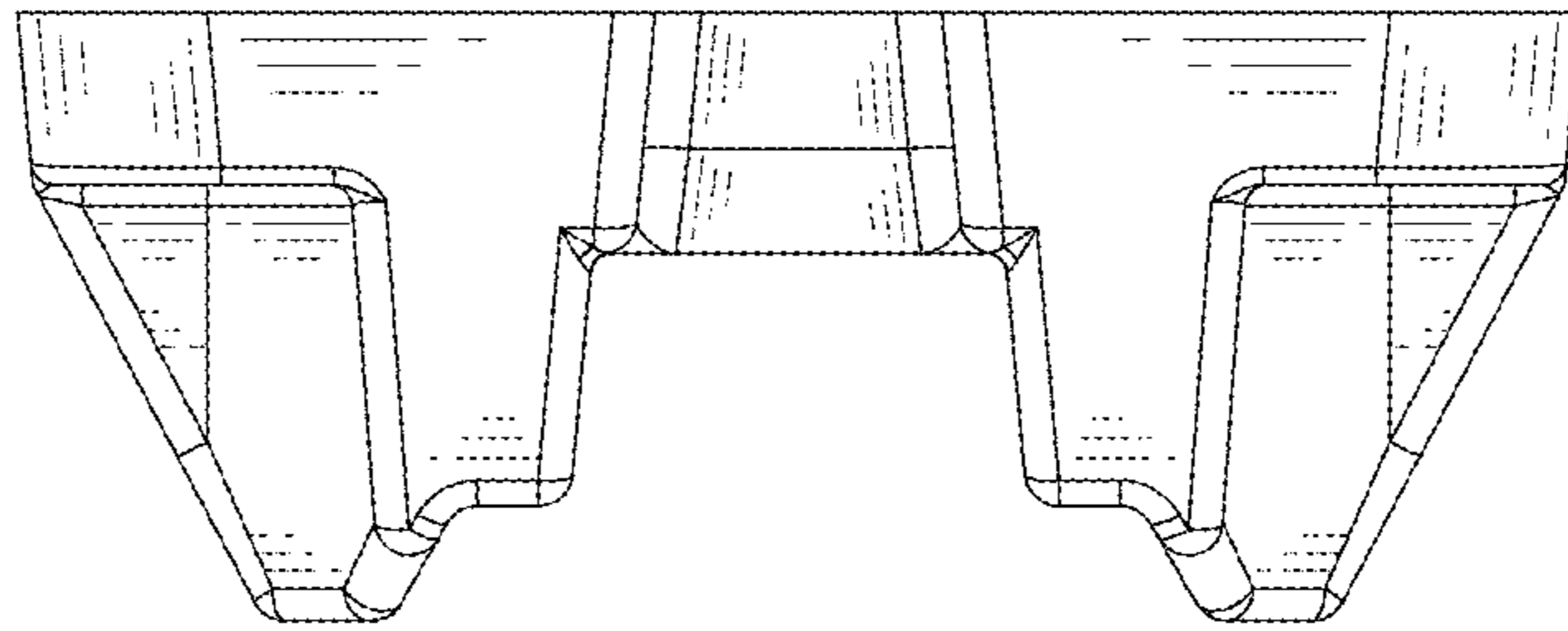


FIG. 8

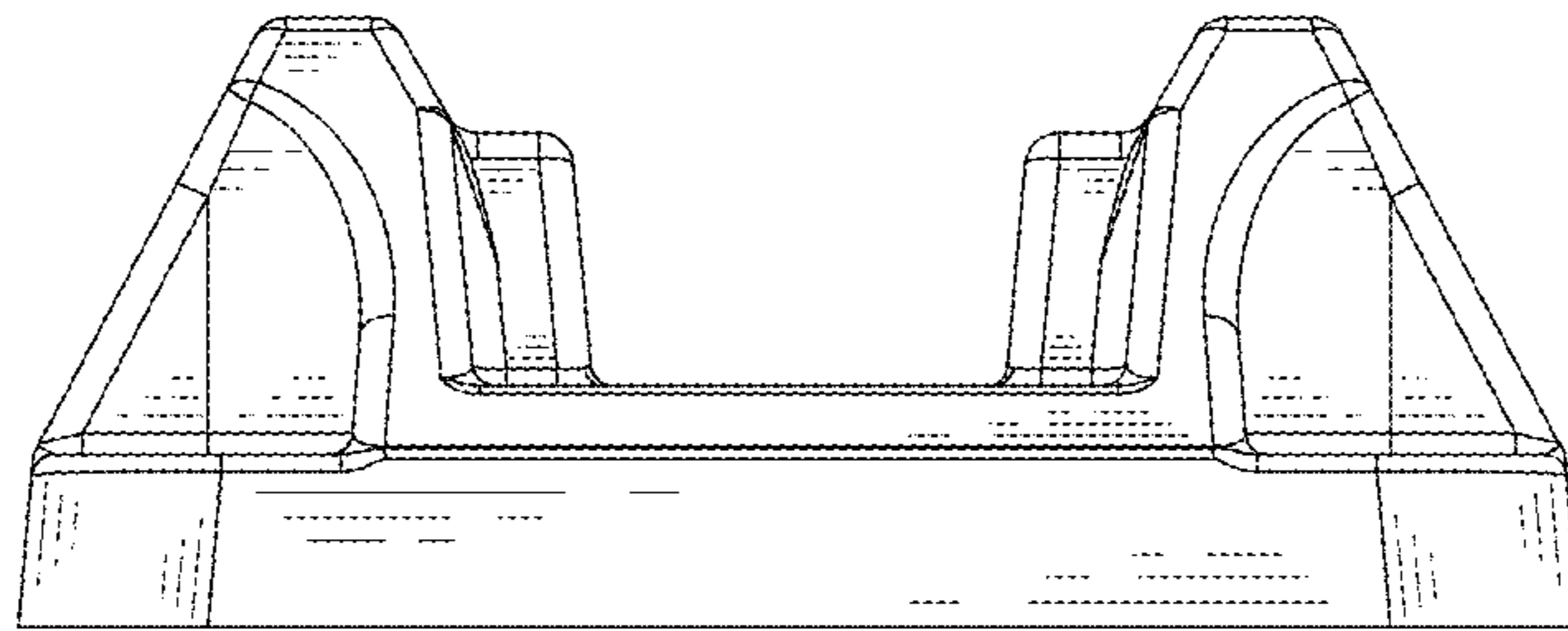


FIG. 9

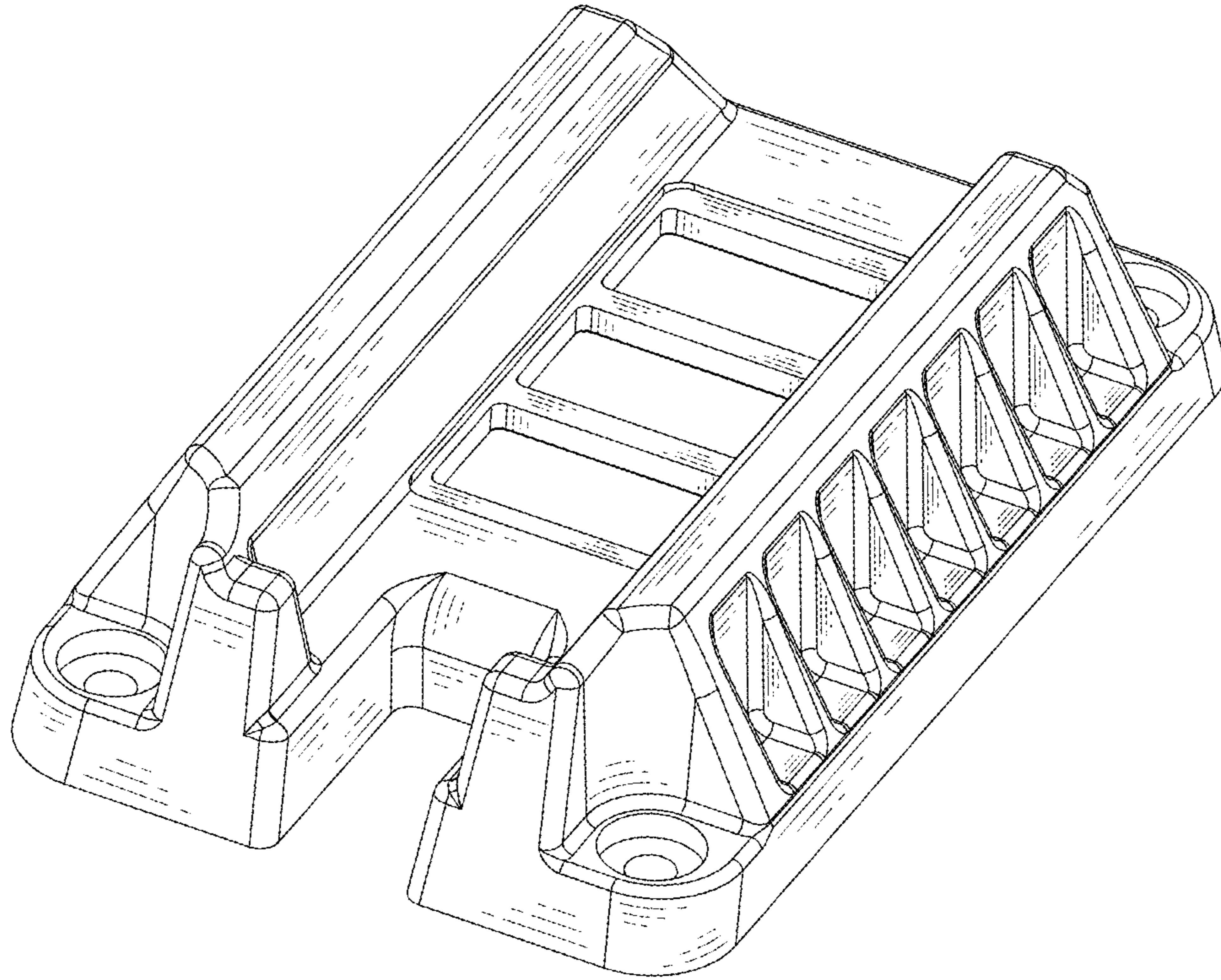


FIG. 10

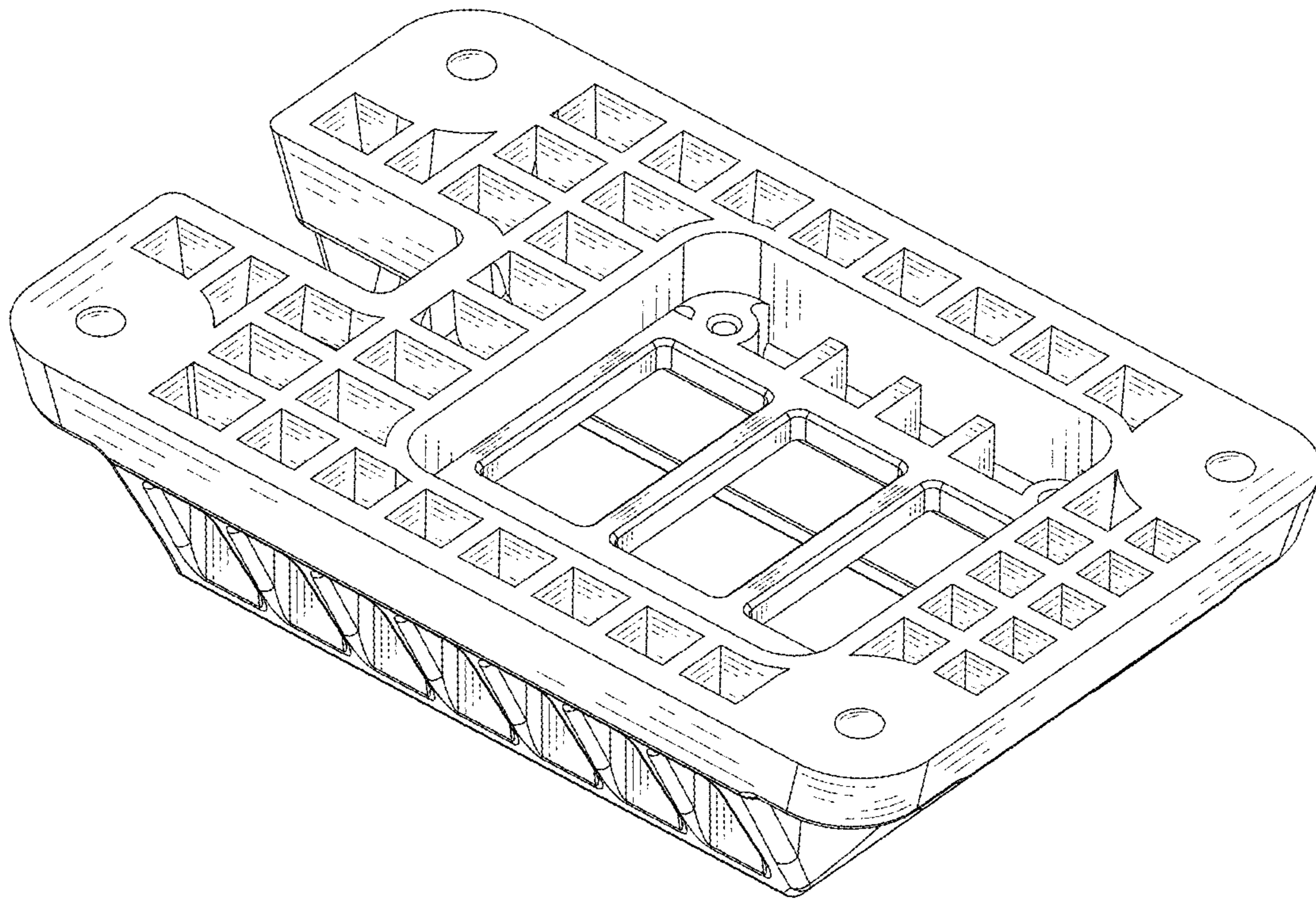


FIG. 11

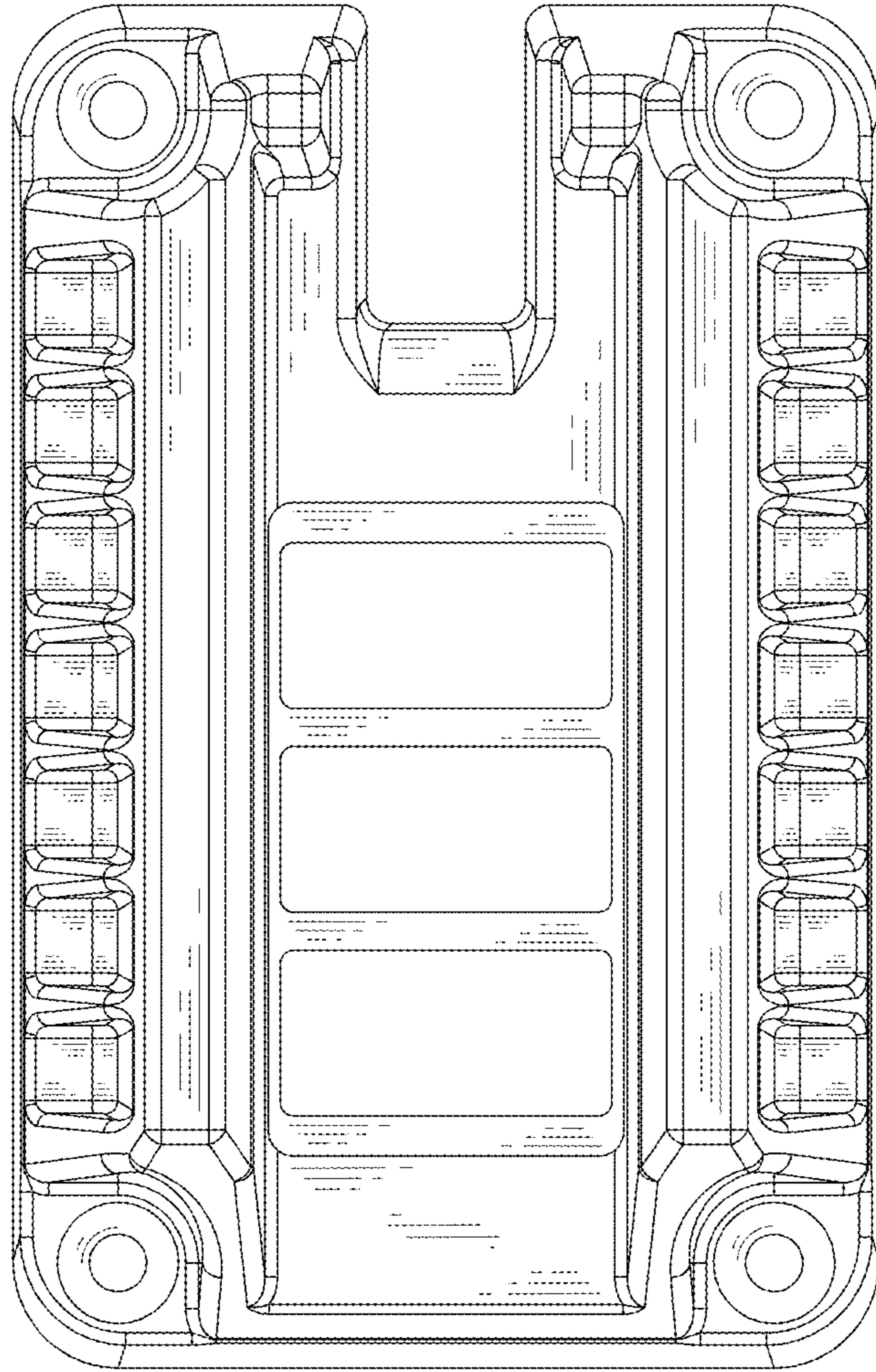


FIG. 12

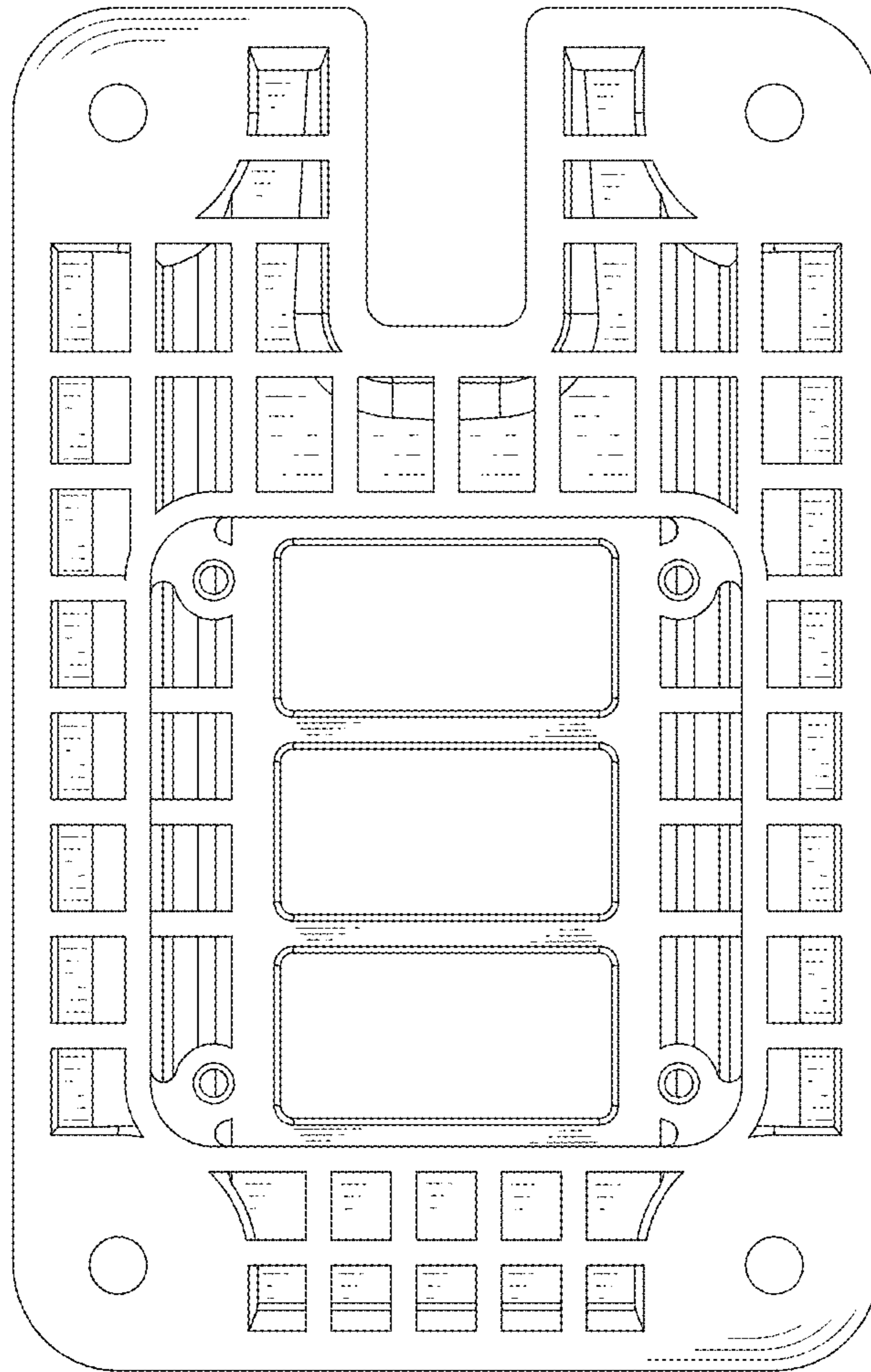


FIG. 13

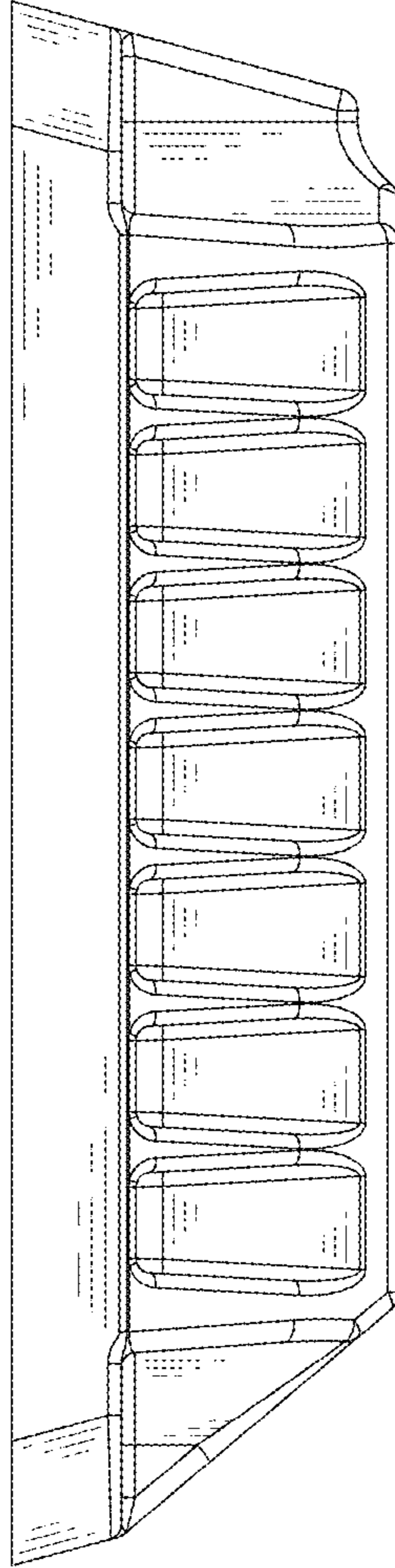


FIG. 14

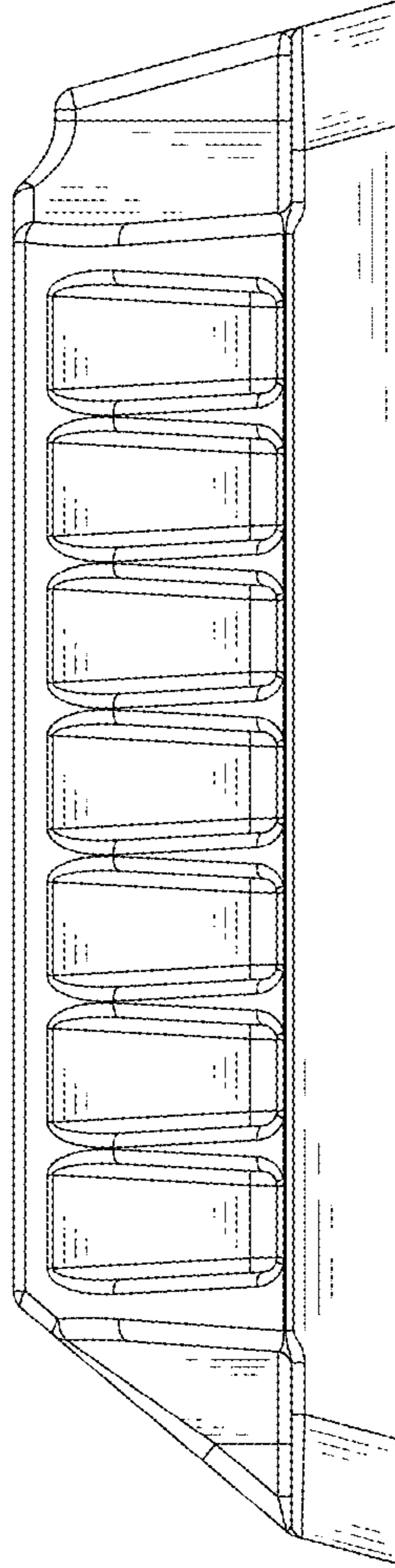


FIG. 15

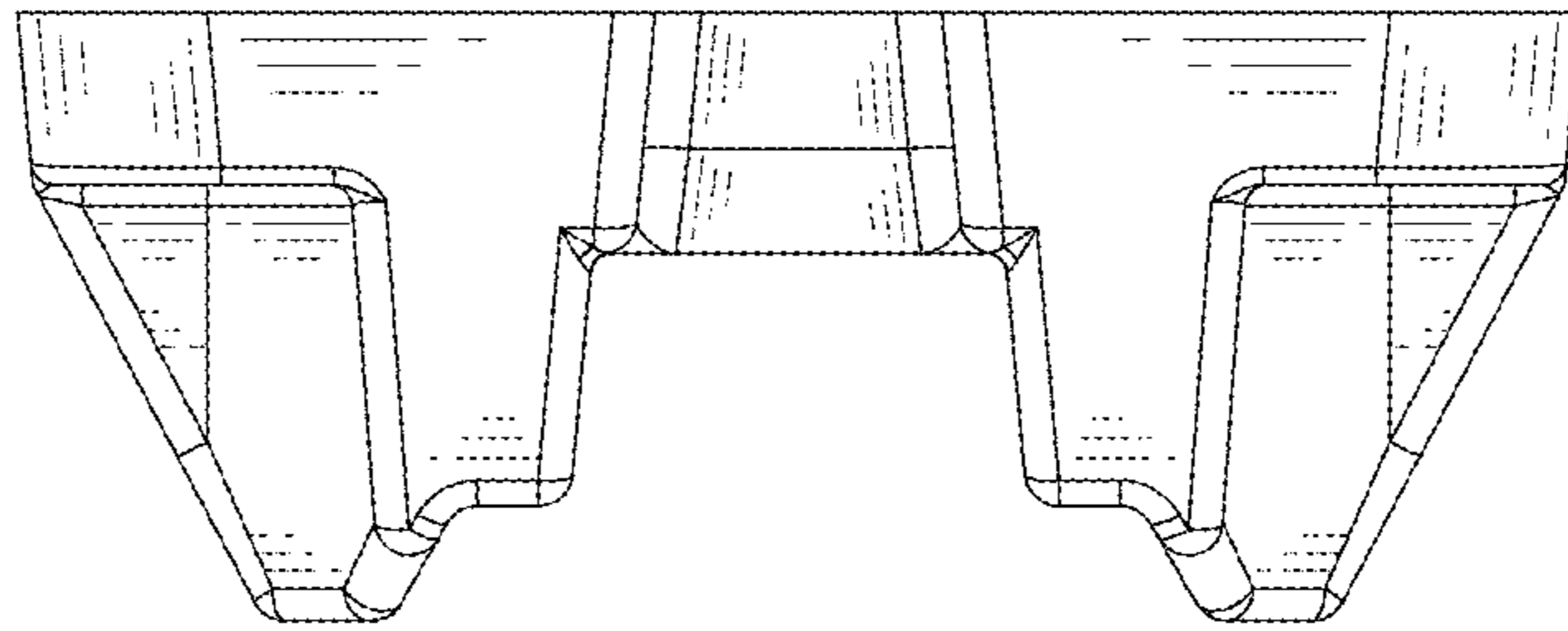


FIG. 16

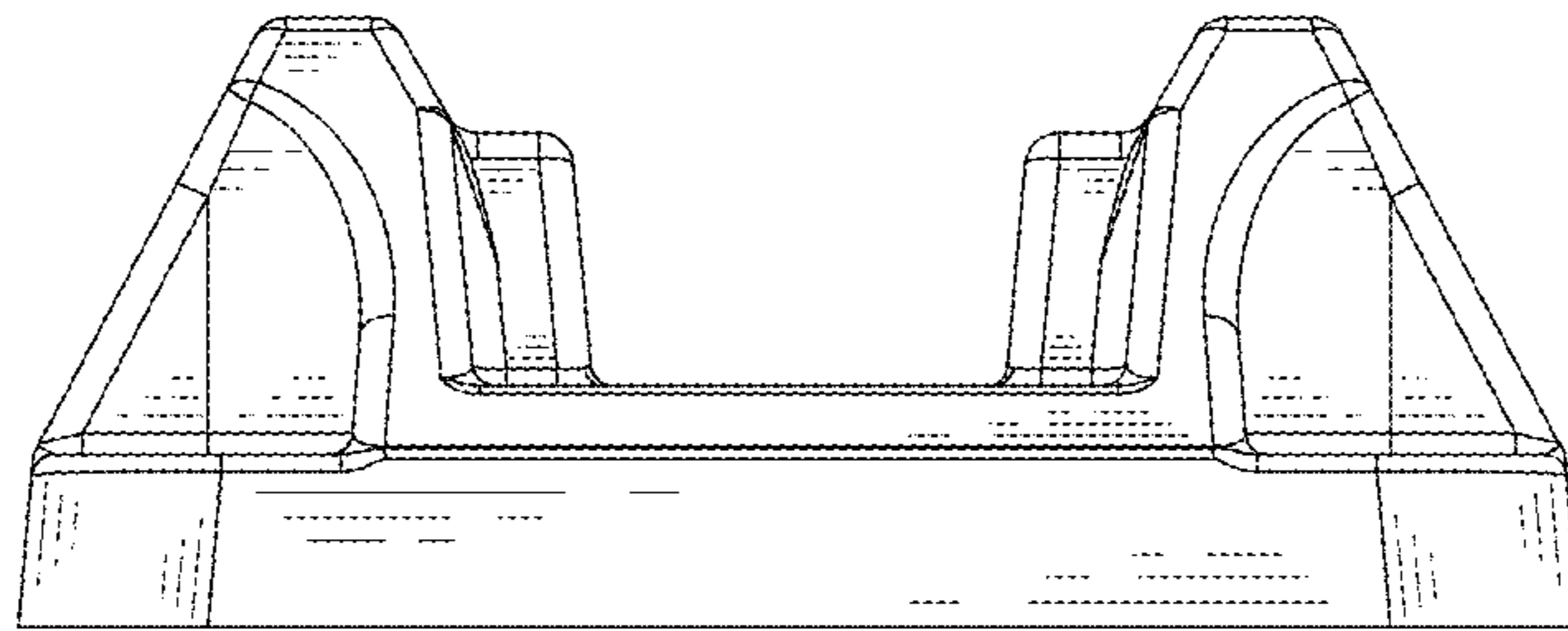


FIG. 17