



US00D882717S

(12) **United States Design Patent**  
**Delgado Acarreta et al.**

(10) **Patent No.:** **US D882,717 S**  
(45) **Date of Patent:** **\*\* Apr. 28, 2020**

(54) **HOUSING FOR AN OPTICAL SYSTEM OF SMALL AND LIGHT FIREARMS**

FOREIGN PATENT DOCUMENTS

(71) Applicant: **RADE TECNOLOGÍAS, S.L.**,  
Saragossa (ES)

EM 003646959-0002 1/2017

(72) Inventors: **Raúl Delgado Acarreta**, Saragossa  
(ES); **Diego Lorente Algora**, Saragossa  
(ES)

OTHER PUBLICATIONS

(73) Assignee: **RADE TECNOLOGIAS, S.L.**,  
Saragossa (ES)

“Israeli Firm Unveils Smartphone-Style Digital Rifle Sight” [online].  
Matthew Cox. [Published on Jan. 29, 2019]. Retrieved from the  
Internet: <https://www.military.com/kitup/2019/01/29/israeli-firm-unveils-smartphone-style-digital-rifle-sight.html>.\*

(\*\*) Term: **15 Years**

(Continued)

(21) Appl. No.: **29/656,614**

*Primary Examiner* — Khawaja Anwar  
*Assistant Examiner* — Mojtaba Tehrani

(22) Filed: **Jul. 13, 2018**

(74) *Attorney, Agent, or Firm* — Hayes Soloway PC

(30) **Foreign Application Priority Data**

Jan. 22, 2018 (EM) ..... 4675502

(51) **LOC (12) Cl.** ..... **22-01**

(52) **U.S. Cl.**  
USPC ..... **D22/109**

(58) **Field of Classification Search**  
USPC ..... D22/100, 101, 103, 104, 105, 107, 108,  
D22/109, 110, 111, 199; D21/567, 569,  
D21/570, 571, 573, 574, 575  
CPC ..... F41G 1/30; F41G 3/26; F42B 5/28; F41C  
23/16; F41A 23/16; F41A 23/18; F41A  
9/83; F41A 33/00

See application file for complete search history.

(56) **References Cited**

U.S. PATENT DOCUMENTS

D378,936 S \* 4/1997 DePaoli ..... D22/109  
D707,743 S \* 6/2014 Nakashima ..... D16/202  
D720,034 S \* 12/2014 Cheng ..... D22/109  
8,966,805 B2 \* 3/2015 Koesler ..... F41G 1/30  
42/119

(Continued)

(57) **CLAIM**

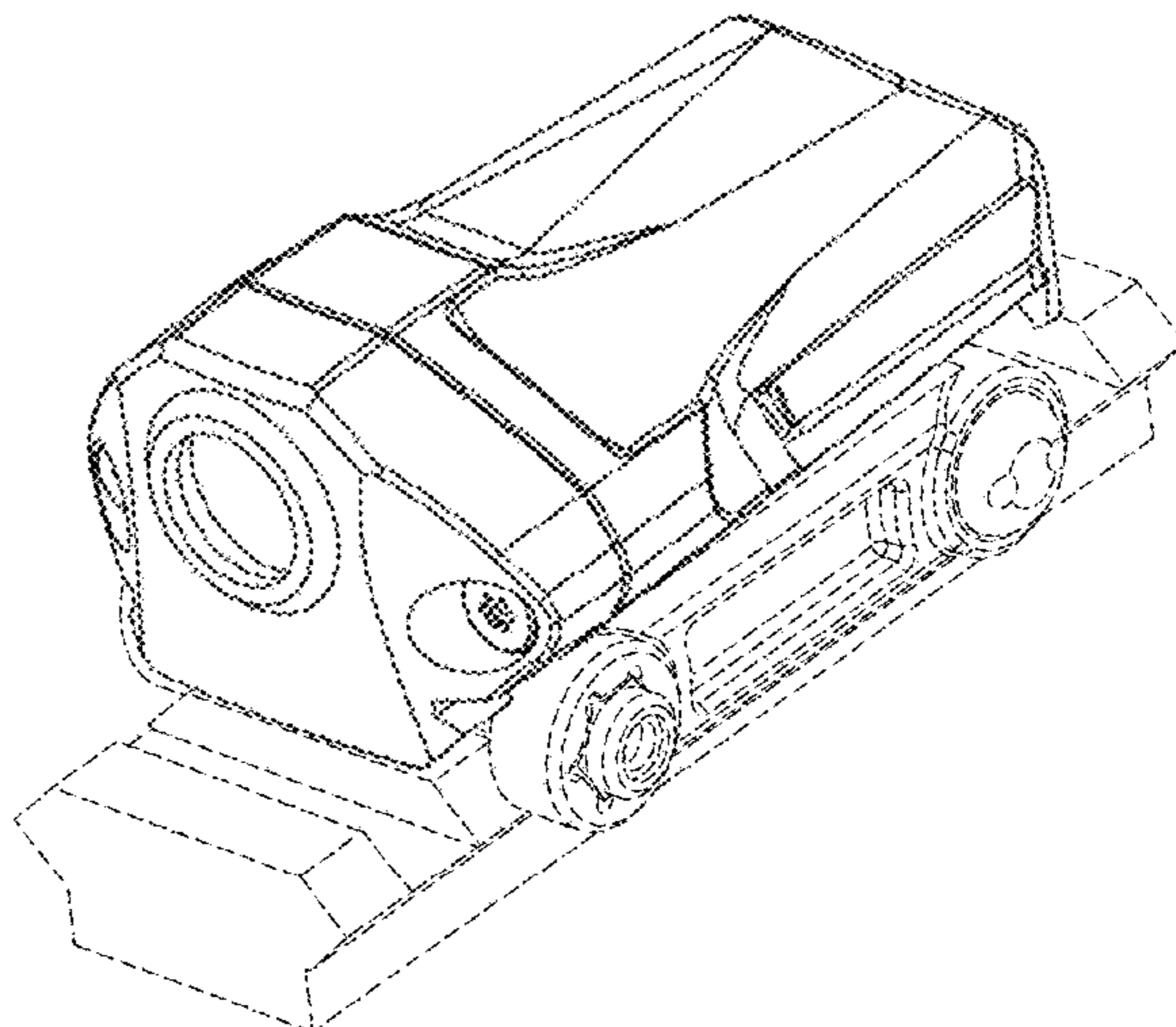
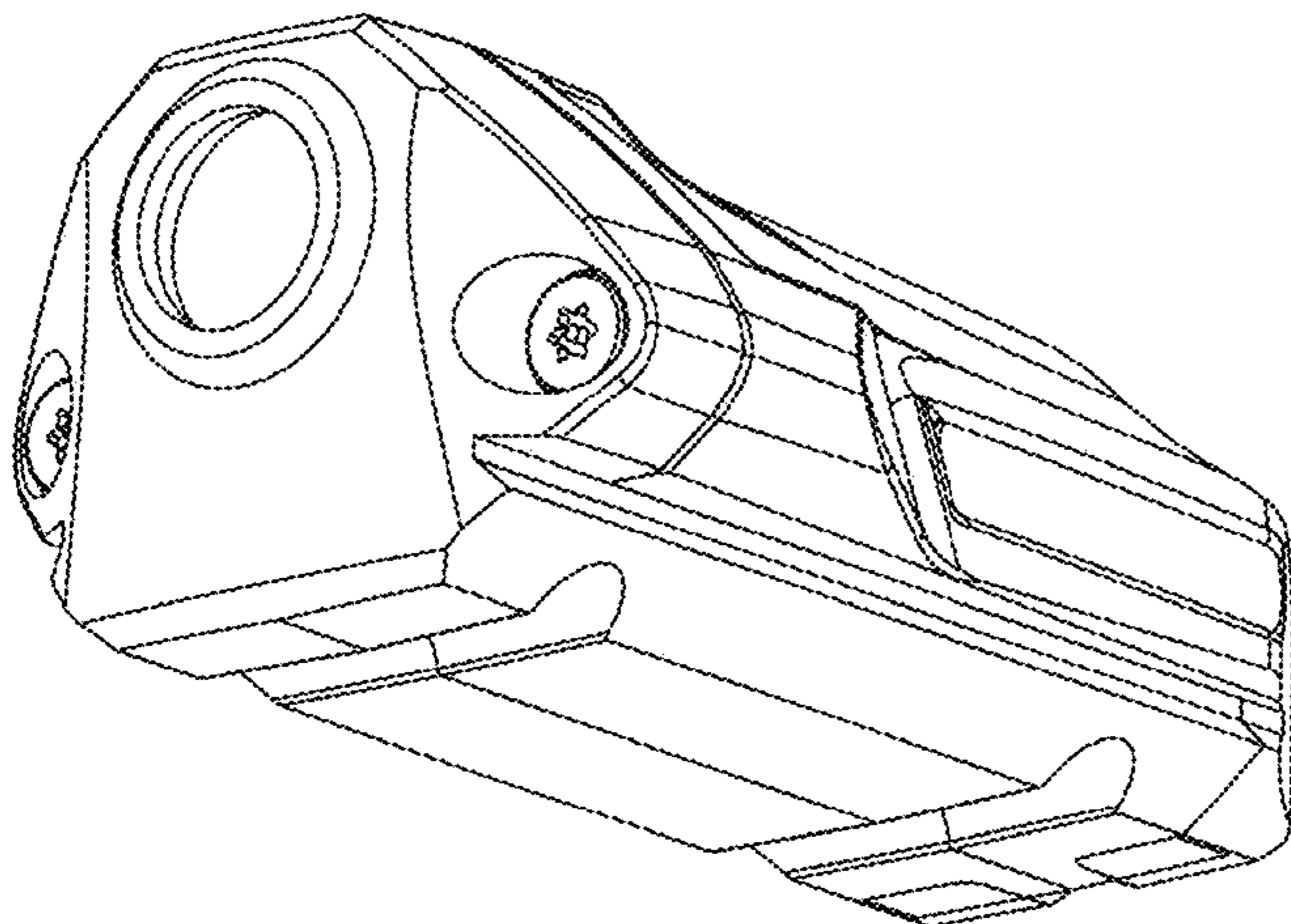
We claim the ornamental design for a housing for an optical system of small and light firearms, as shown and described.

**DESCRIPTION**

FIG. 1 is a front elevation view of a housing for an optical system of small and light firearms showing our new design; FIG. 2 is a rear elevation view thereof; FIG. 3 is a top plan view thereof; FIG. 4 is a bottom plan view thereof; FIG. 5 is a left side elevation view thereof; FIG. 6 is a right side elevation view thereof; FIG. 7 is a front-left-top perspective view thereof; FIG. 8 is a front-left-bottom perspective view thereof; and, FIG. 9 is a front-left-top perspective view thereof, in an environment of use.

The broken lines in FIG. 2 represent unclaimed portions of the housing for an optical system of small and light firearms and form no part of the claimed design. The broken line in FIG. 9 depicts unclaimed environment only and forms not part of the claimed design.

**1 Claim, 9 Drawing Sheets**



(56)

**References Cited**

U.S. PATENT DOCUMENTS

9,065,995	B2 *	6/2015	Hirakawa	.....	H04N 5/2254
D742,992	S *	11/2015	Arnedo Vera	.....	D22/109
D747,431	S *	1/2016	Cheng	.....	D22/109
9,316,460	B2 *	4/2016	Cheng	.....	F41G 1/345
D784,480	S *	4/2017	Oz	.....	D22/109
D812,178	S *	3/2018	Galli	.....	D22/108
D814,600	S *	4/2018	Cheng	.....	D22/109
D837,927	S *	1/2019	Trulsson	.....	D22/109
10,175,029	B2 *	1/2019	Teetzel	.....	F41G 1/01
D847,292	S *	4/2019	Hoff	.....	D22/109
D856,459	S *	8/2019	Hamilton	.....	D22/109
2005/0110977	A1 *	5/2005	Labelle	.....	G01C 3/08 356/6
2012/0030985	A1 *	2/2012	Mauricio	.....	F41G 1/38 42/84
2014/0305022	A1 *	10/2014	Chung	.....	F41G 1/16 42/113
2016/0102943	A1 *	4/2016	Teetzel	.....	F41G 1/35 42/113

OTHER PUBLICATIONS

“Close Quarters Battle Laser” [online]. steiner-optics.com. [Retrieved on Sep. 3, 2019]. Retrieved from the Internet: <https://www.steiner-optics.com/laster-devices/cqbl-1>.\*

\* cited by examiner

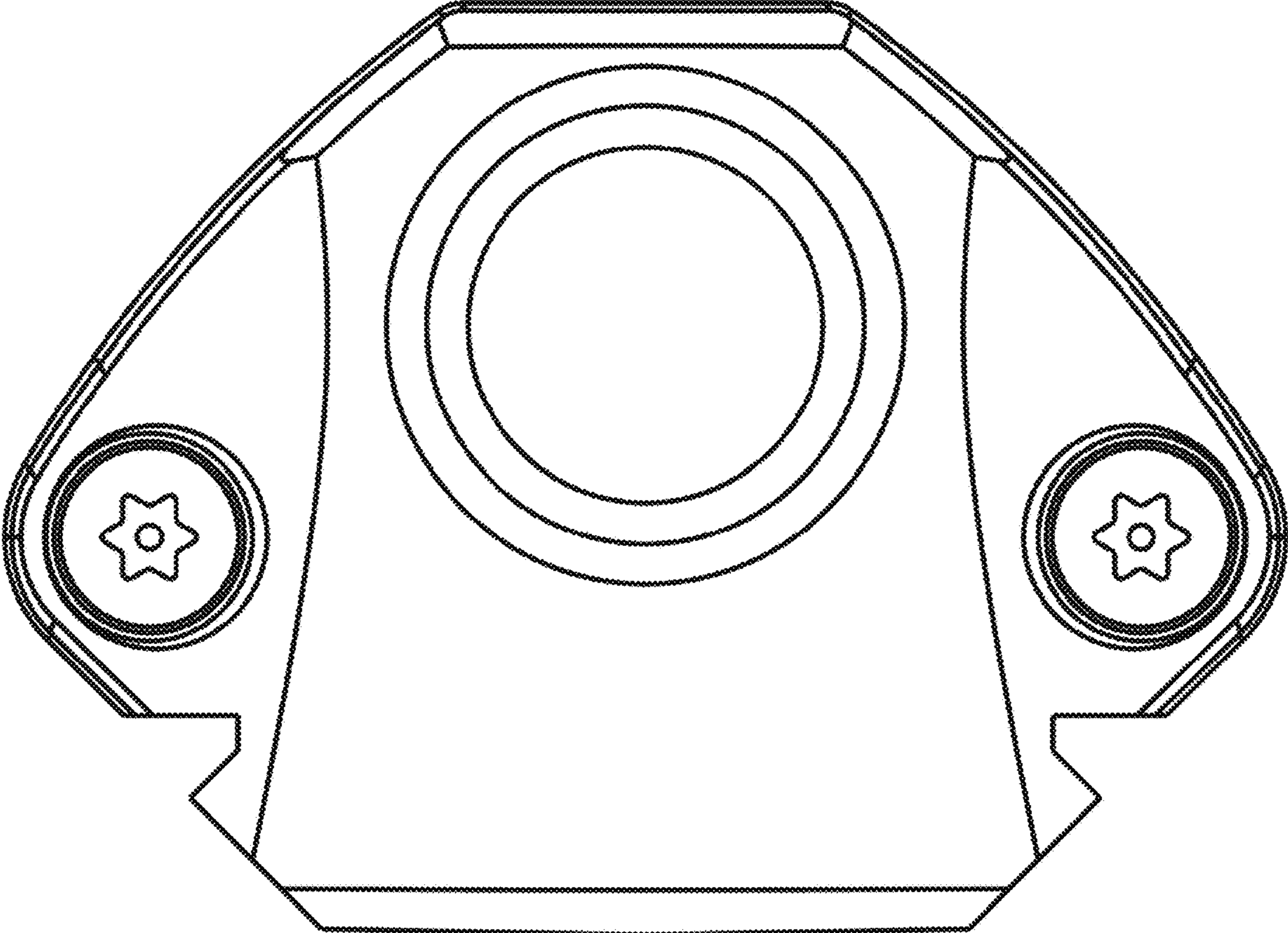


FIG. 1



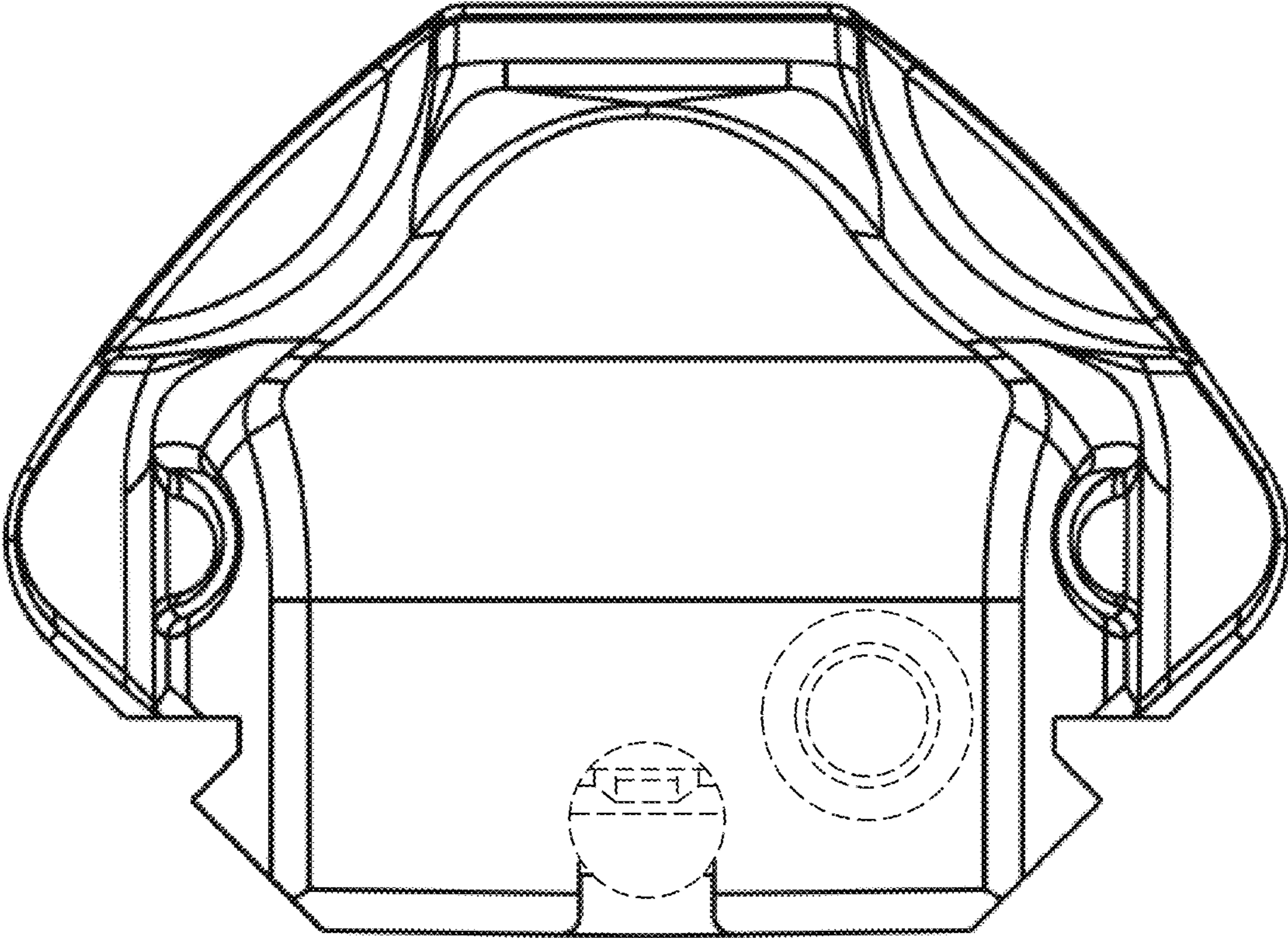


FIG. 2

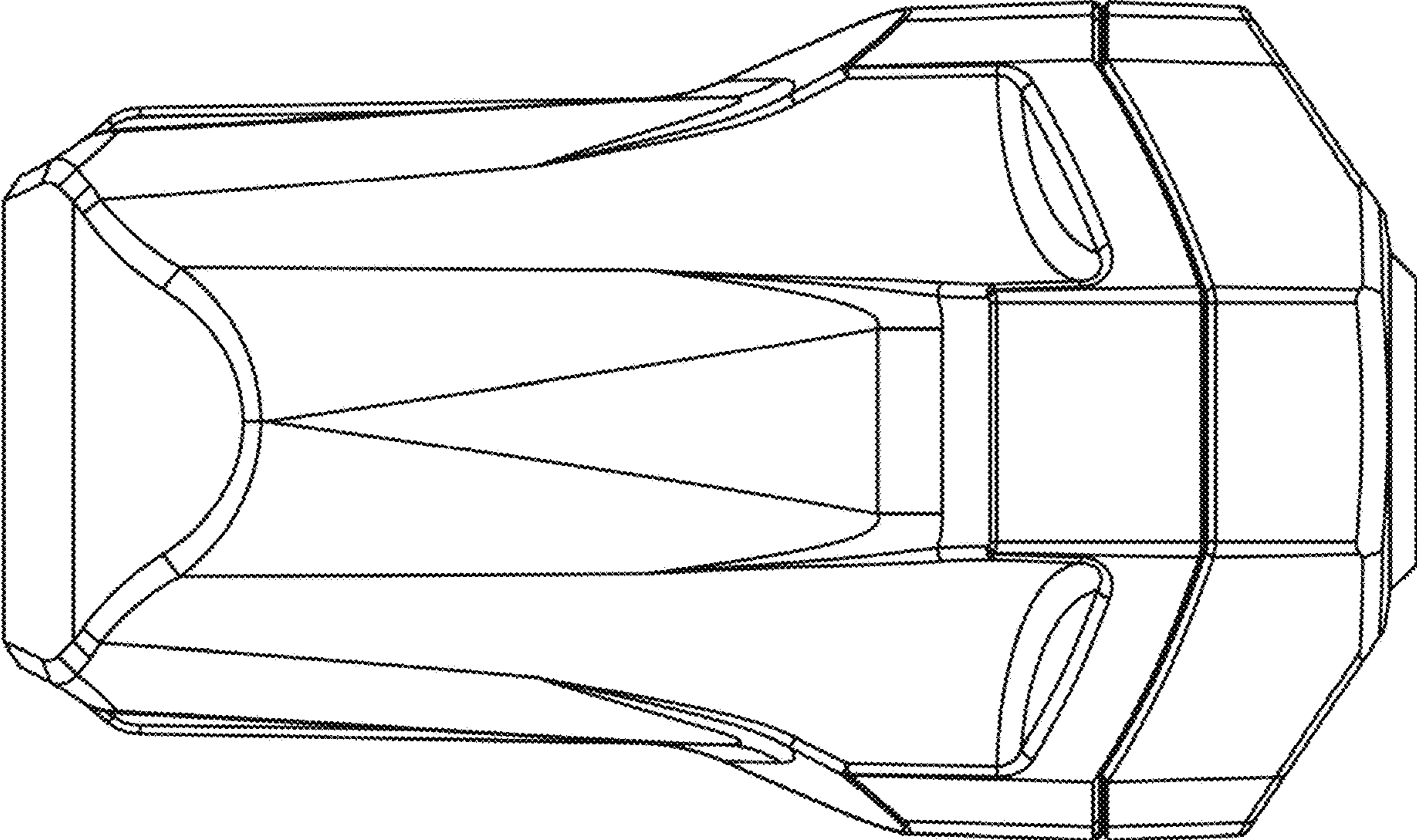


FIG. 3

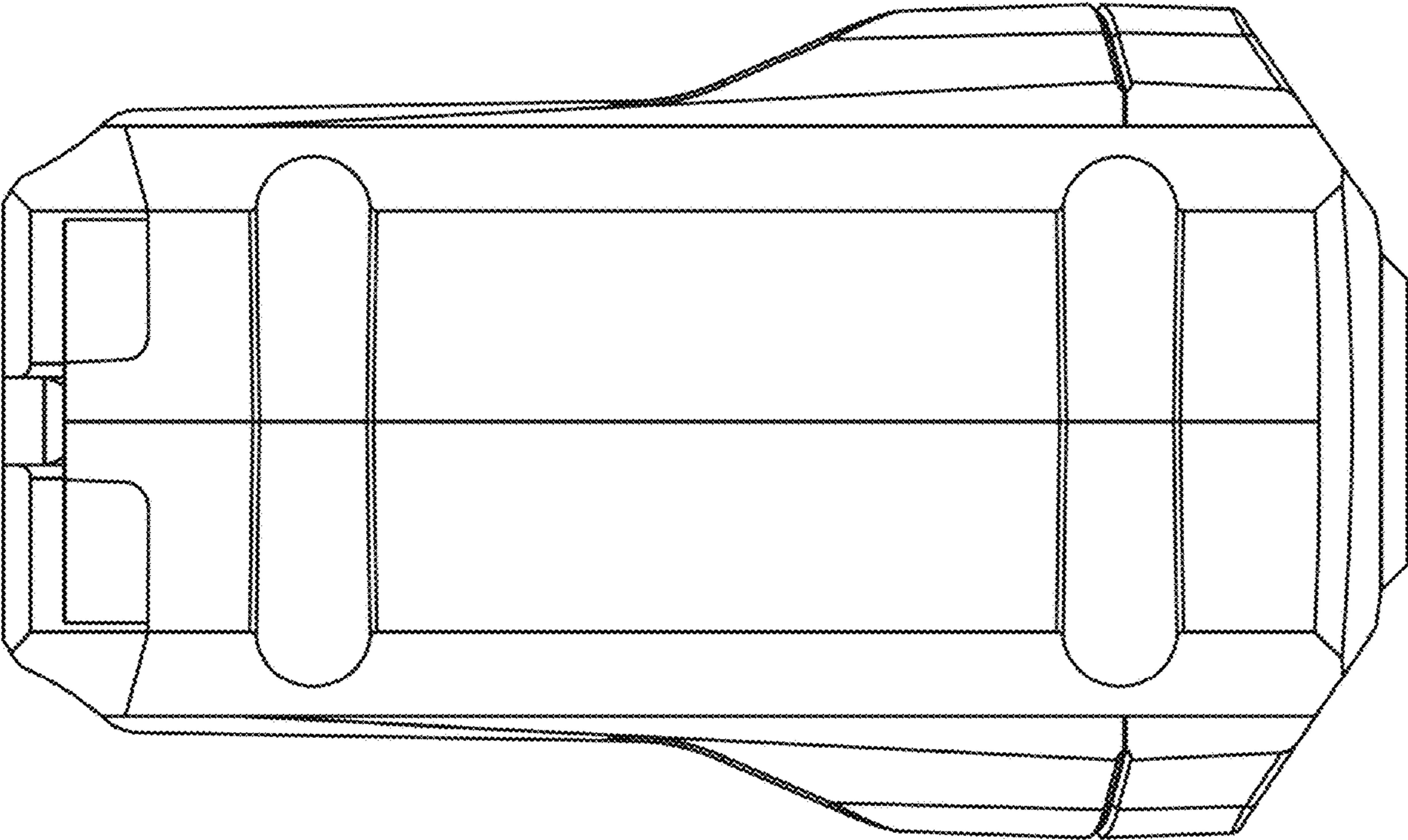


FIG. 4

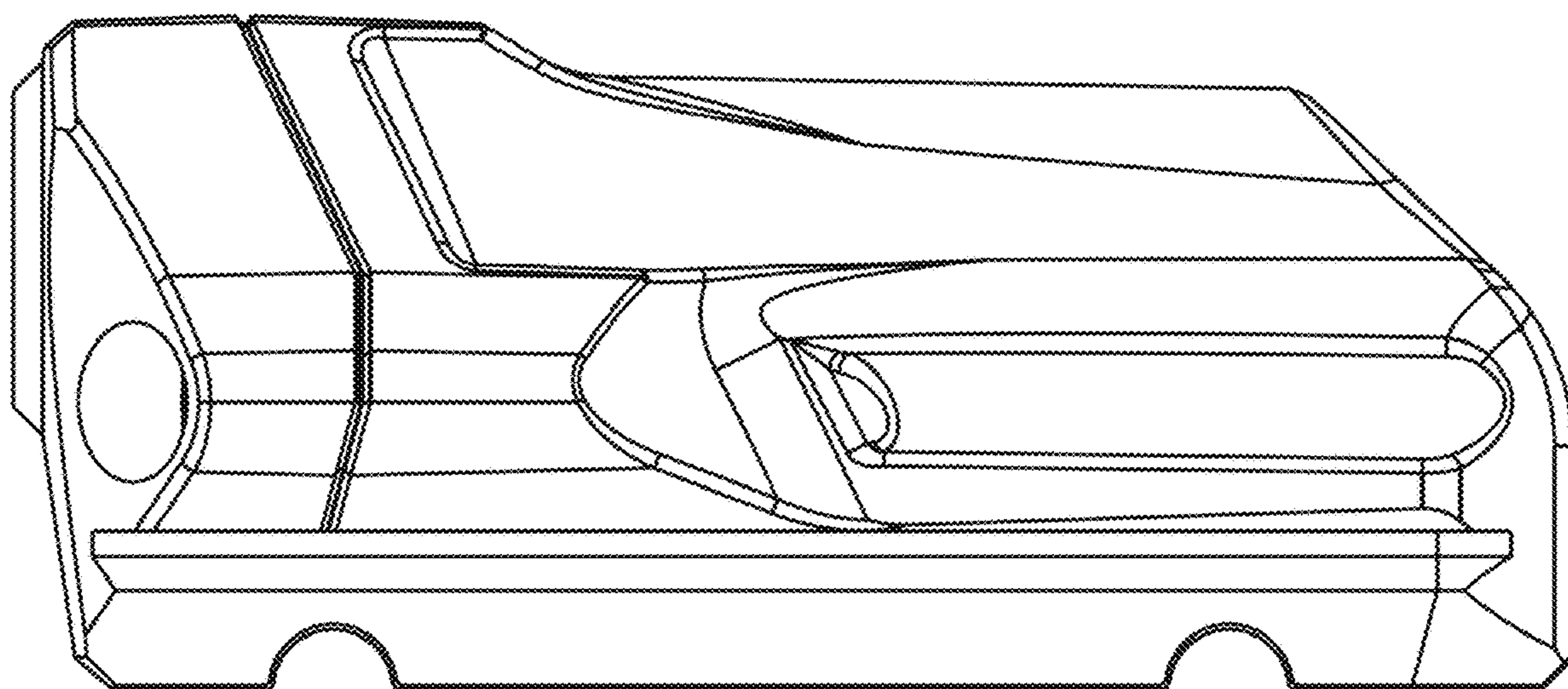


FIG. 5



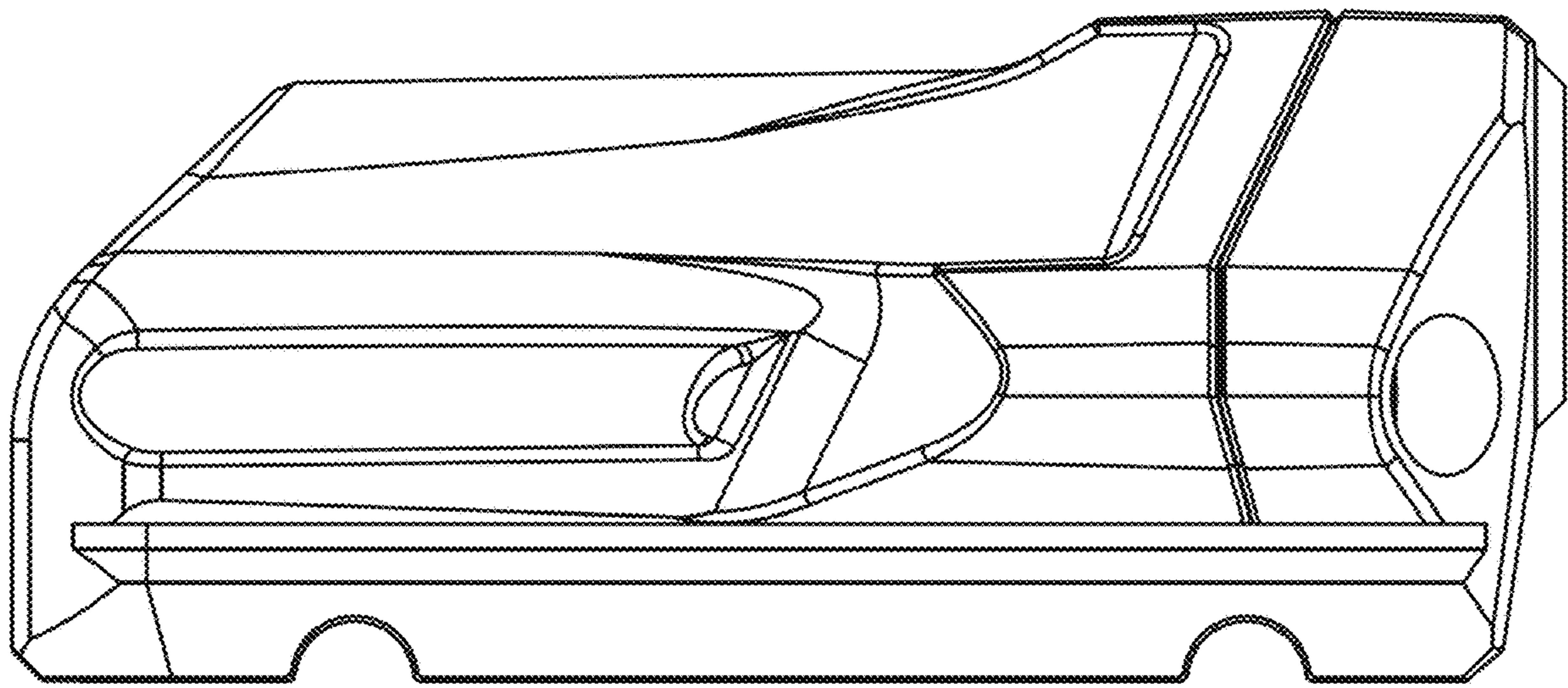


FIG. 6



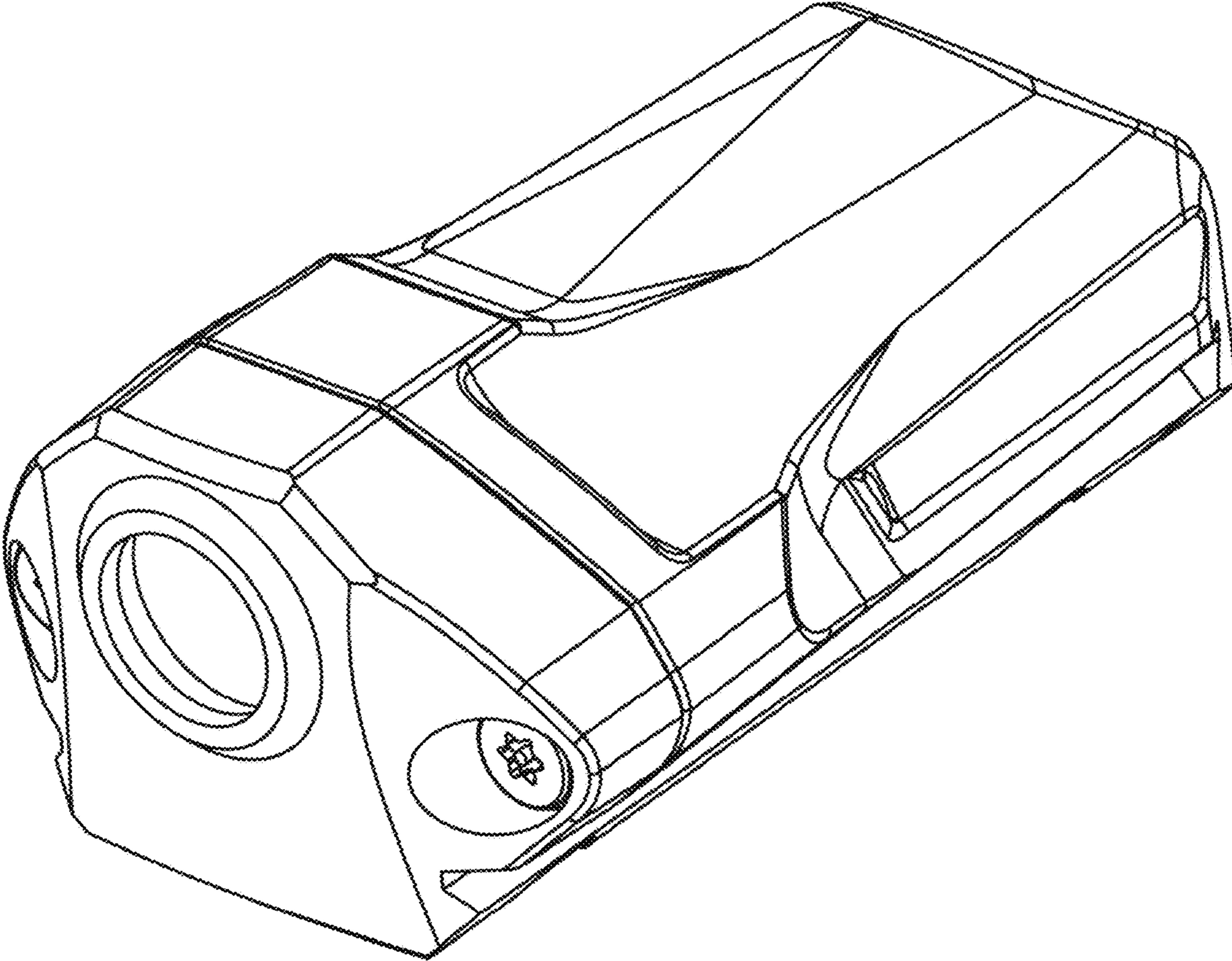


FIG. 7

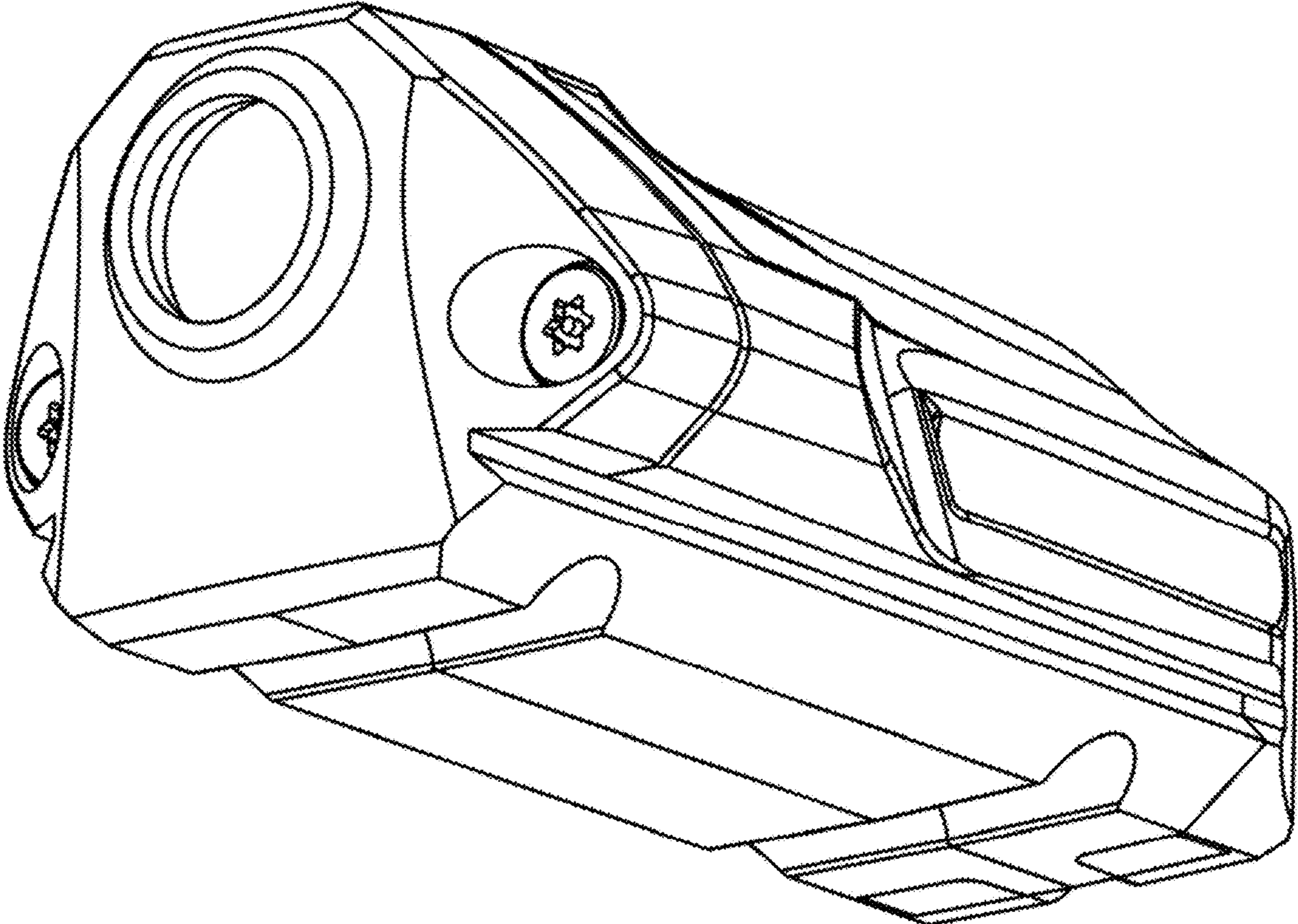


FIG. 8

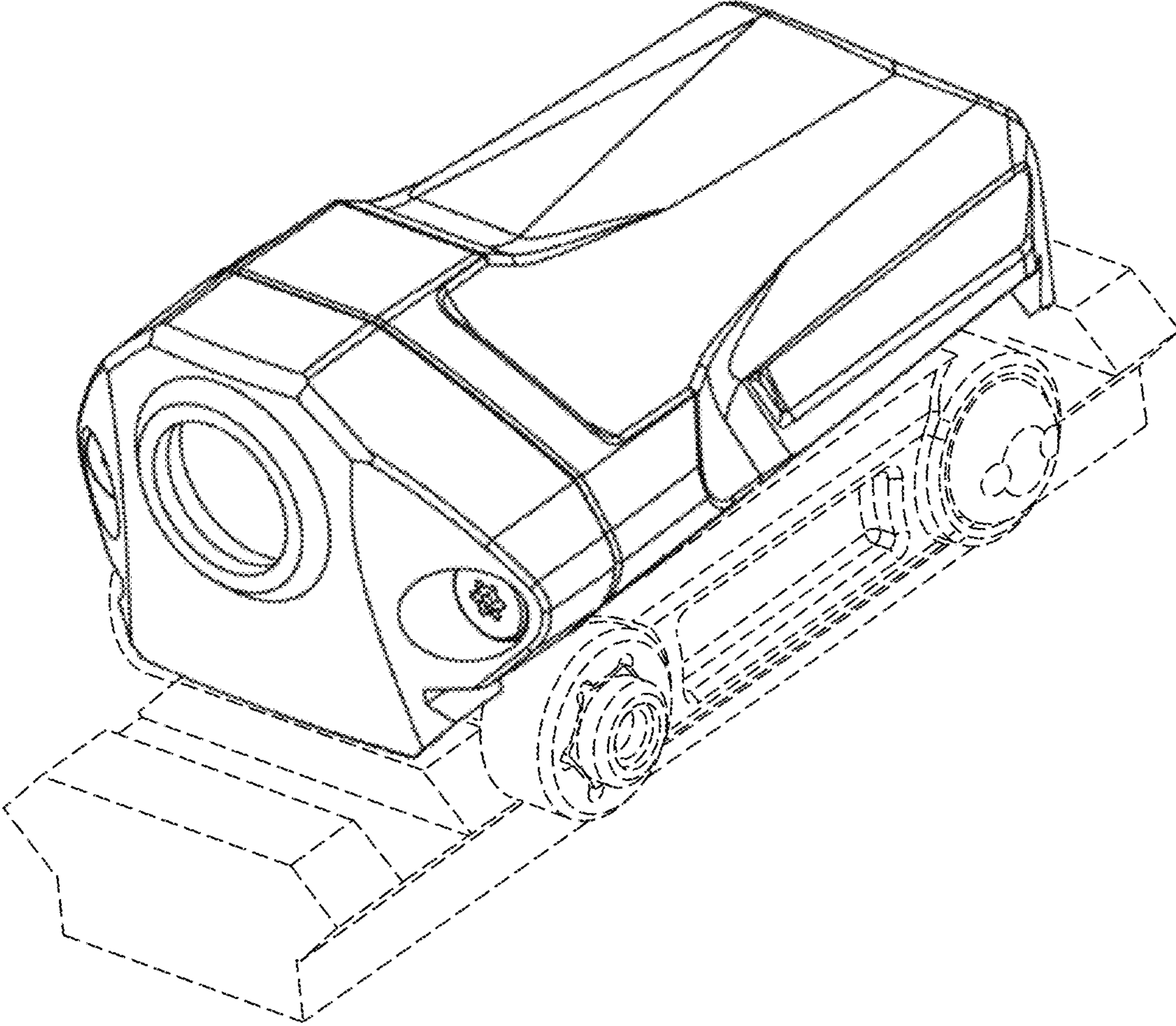


FIG. 9