



US00D882716S

(12) **United States Design Patent**
Connolly

(10) **Patent No.:** **US D882,716 S**

(45) **Date of Patent:** **** Apr. 28, 2020**

(54) **OPTICAL SIGHT**

(71) Applicant: **Raytheon Canada Ltd.**, Ottawa (CA)

(72) Inventor: **John Maxwell Connolly**,
Penetanguishene (CA)

(73) Assignee: **Raytheon Canada Ltd.**, Ottawa (CA)

(**) Term: **15 Years**

(21) Appl. No.: **29/634,491**

(22) Filed: **Jan. 22, 2018**

(51) **LOC (12) Cl.** **22-01**

(52) **U.S. Cl.**
USPC **D22/109**

(58) **Field of Classification Search**
USPC D22/108, 109, 199
CPC ... F41G 1/38; F41G 1/345; F41G 1/14; G02B
23/14

See application file for complete search history.

(56) **References Cited**

U.S. PATENT DOCUMENTS

D378,936 S *	4/1997	DePaoli	D22/109
7,484,856 B1 *	2/2009	Newhall	F41G 1/04 359/511
7,631,432 B2	12/2009	Roes		
8,024,885 B1 *	9/2011	Newhall	F41G 1/04 359/511
D662,566 S *	6/2012	Estes	D22/109
8,215,050 B2	7/2012	Elpedes et al.		
D704,296 S *	5/2014	Cheng	D22/109
D730,477 S *	5/2015	Huynh	D22/109
D747,431 S *	1/2016	Cheng	D22/109
D765,212 S *	8/2016	Cheng	D22/109
D778,390 S *	2/2017	Zhang	D22/109
D784,480 S *	4/2017	Oz	D22/109
D801,468 S	10/2017	Kedairy		
D803,347 S *	11/2017	Cheng	D22/109
D819,160 S *	5/2018	Hamilton	D22/109
D837,927 S *	1/2019	Trulsson	D22/109

10,175,029 B2 *	1/2019	Teetzel	F41G 1/30
2012/0151816 A1	6/2012	Kleck et al.		
2016/0033232 A1 *	2/2016	Cheng	F41G 1/345 42/114

(Continued)

OTHER PUBLICATIONS

SoldierMod.com, Earliest publication date from Web.Archive.org Aug. 22, 2018, [Site visited Jan. 11, 2019], The Future of Sight Technology: ELCAN's New Optical IX and IXL Sights, URL <http://www.soldiermod.com/volume-21/pdfs/articles/raytheon-elcan-optical-technologies.pdf>.*

(Continued)

Primary Examiner — Karen S Acker
Assistant Examiner — Steven B Reinholdt, Jr.

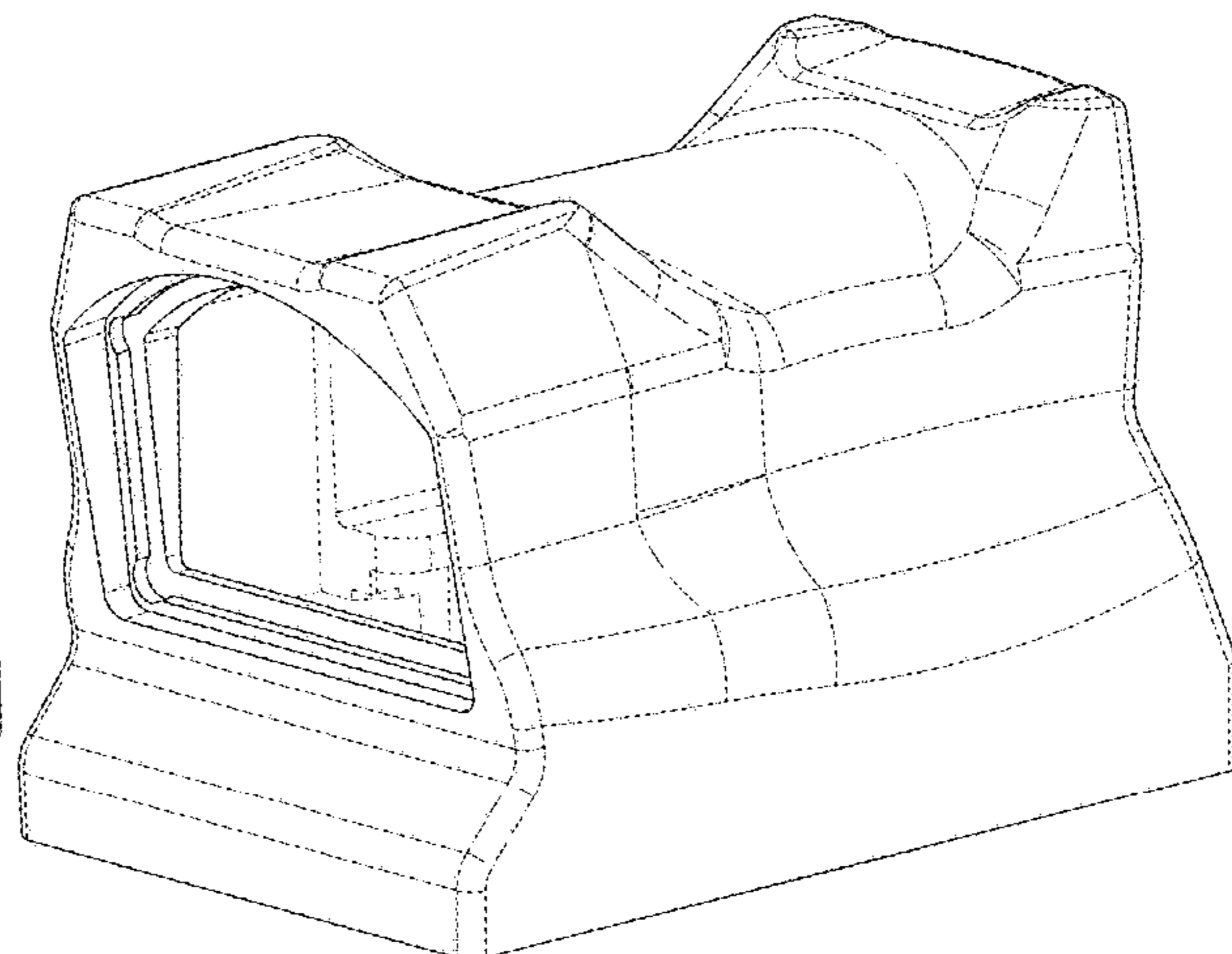
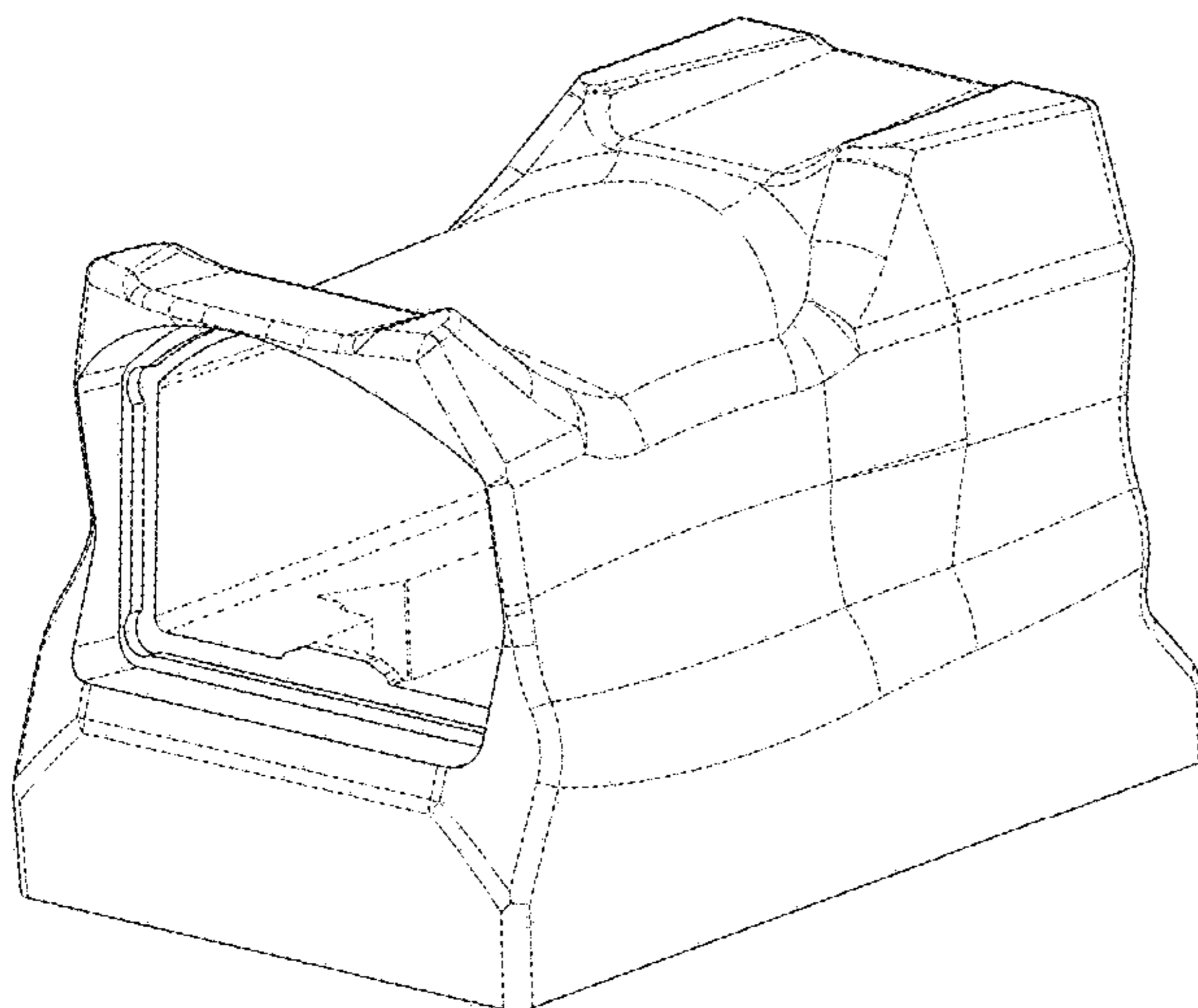
(57) **CLAIM**

The ornamental design for an optical sight, as shown and described.

DESCRIPTION

FIG. 1 is a front perspective view of an optical sight according to this disclosure;
FIG. 2 is a back perspective view of the optical sight of FIG. 1 according to this disclosure;
FIG. 3 is a top view of the optical sight of FIG. 1 according to this disclosure;
FIG. 4 is a right side view of the optical sight of FIG. 1 according to this disclosure;
FIG. 5 is a left side view of the optical sight of FIG. 1 according to this disclosure;
FIG. 6 is a front end view of the optical sight of FIG. 1 according to this disclosure; and,
FIG. 7 is a back end view of the optical sight of FIG. 1 according to this disclosure.
Broken lines in FIGS. 1, 2, 6, and 7 depict portions of the optical sight that form no part of the claimed design.

1 Claim, 7 Drawing Sheets



(56)

References Cited

U.S. PATENT DOCUMENTS

2017/0205194 A1* 7/2017 Teetzel F41G 1/01

OTHER PUBLICATIONS

Elite Defense (ELCAN), "Specter—Holographic Combat Optic," Specification Brochure, www.EliteDefense.com, Jan. 2016, 2 pages.

Reliable Gun, "Shield—Torture Testing the Shield CQS Red Dot," www.reliablegun.com, Jul. 2015, 5 pages.

Shield Sight, "CQS—Close Quarter Sport Sight," Technical Specification, www.shieldpsd.com, Mar. 2015, 2 pages.

Trijicon, "Trijicon RMR Type 2 (Ruggedized Miniature Reflex)," Model Specifications, 0517, www.trijicon.com, Jun. 2017, 2 pages.

Trijicon, "Trijicon RMR Type 2 (Ruggedized Miniature Reflex)," Model Specifications, PMC4014-2 Rev(3) 0517, www.trijicon.com, Jun. 2017, 2 pages.

* cited by examiner

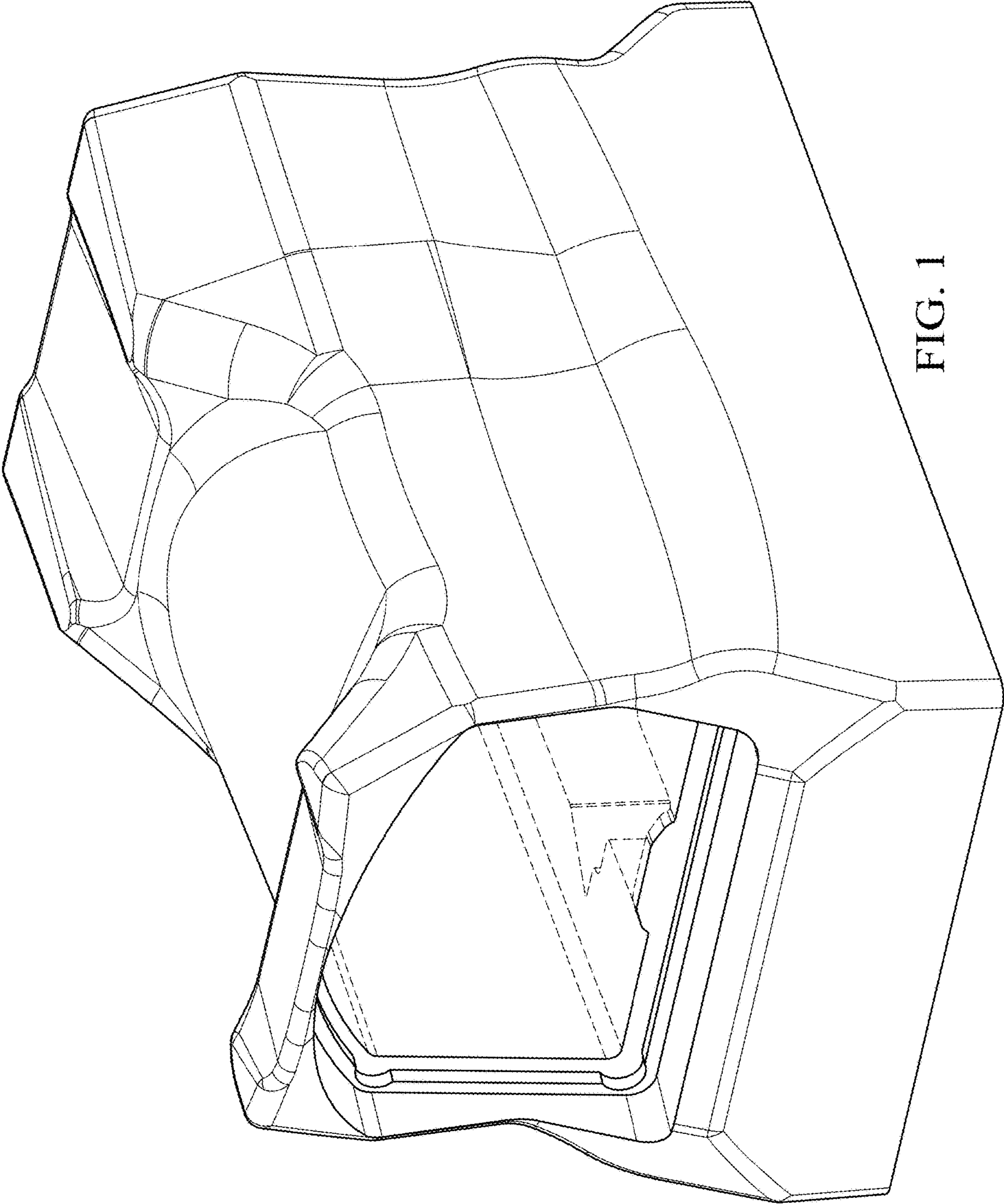


FIG. 1

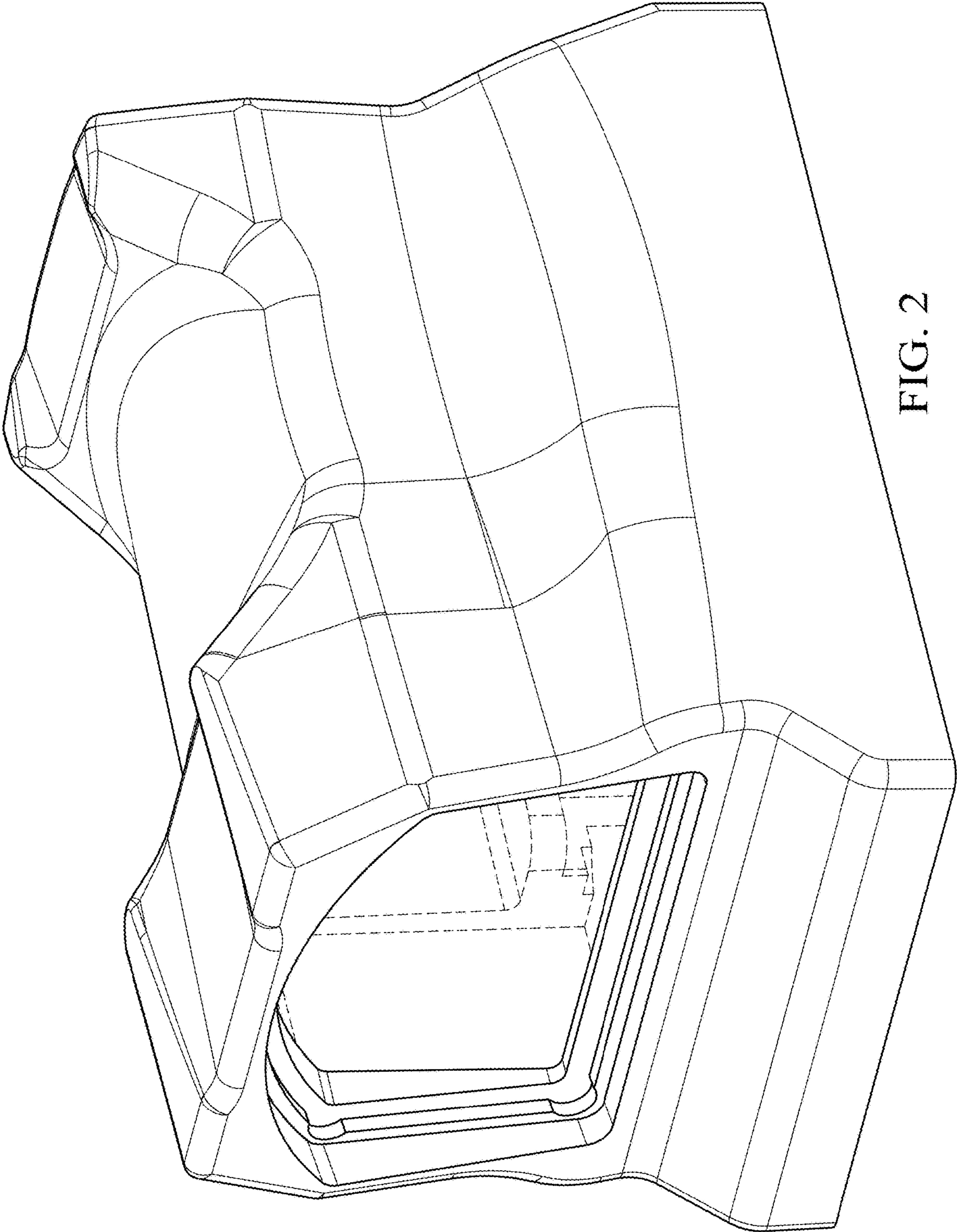


FIG. 2

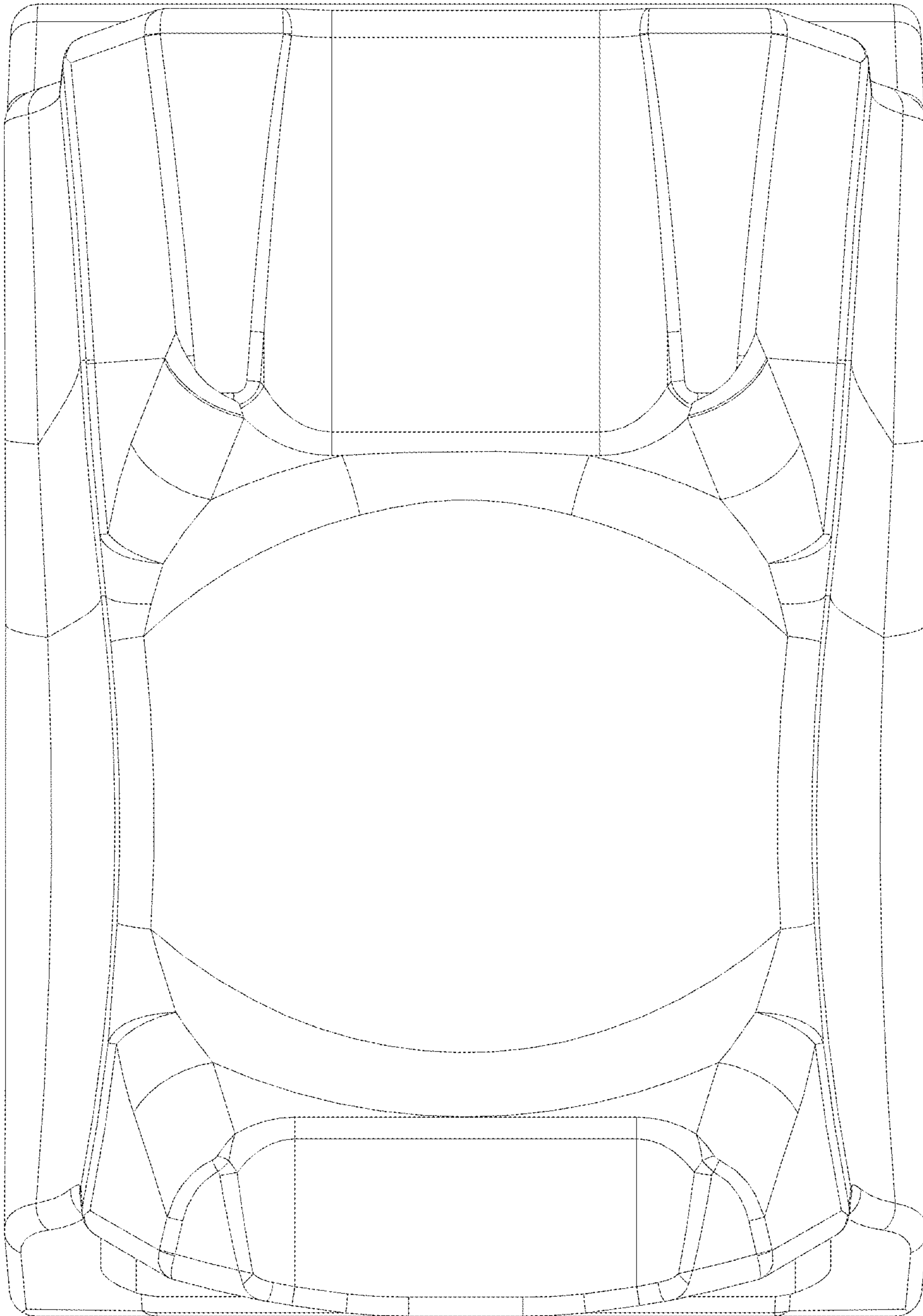


FIG. 3

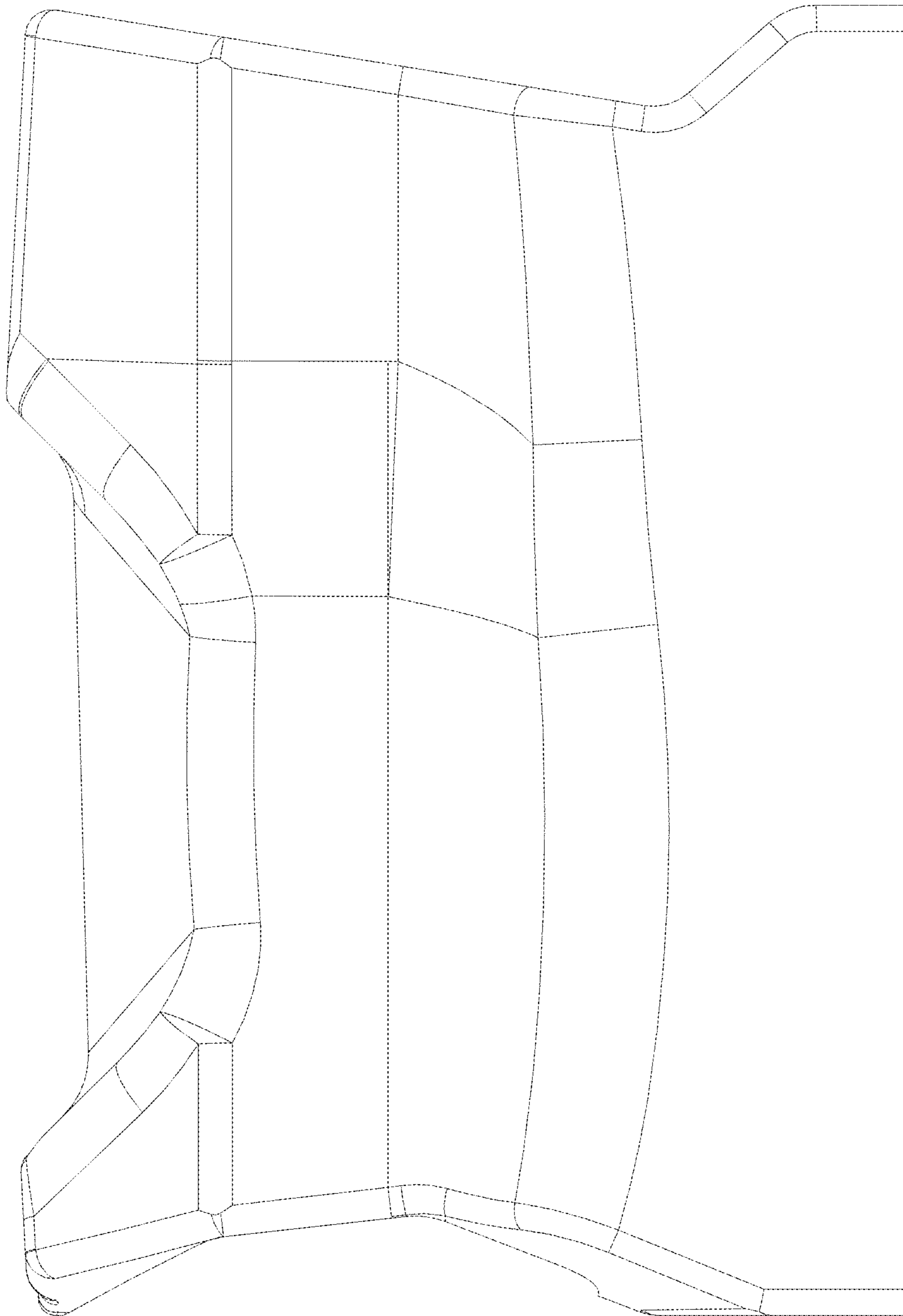


FIG. 4

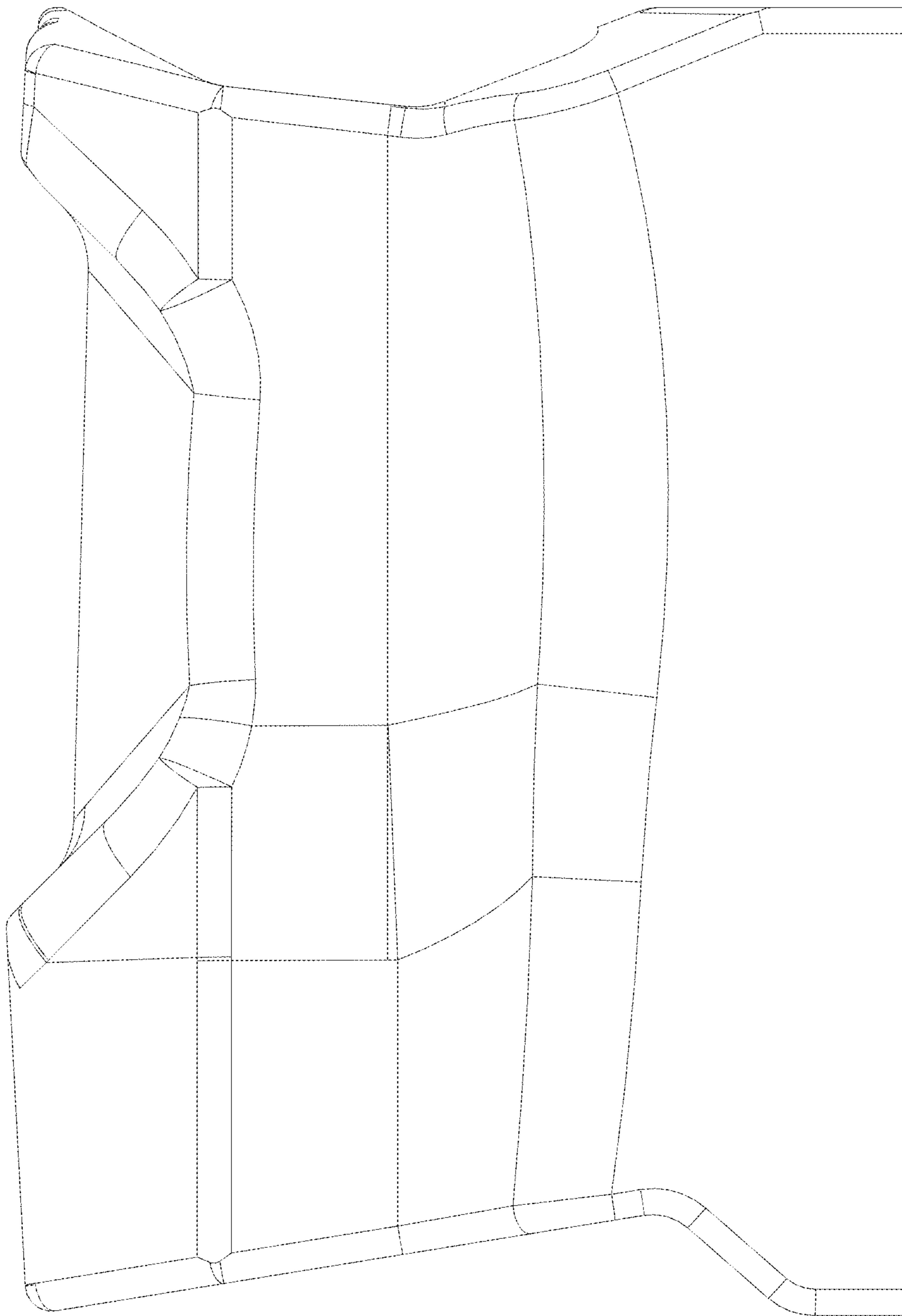


FIG. 5

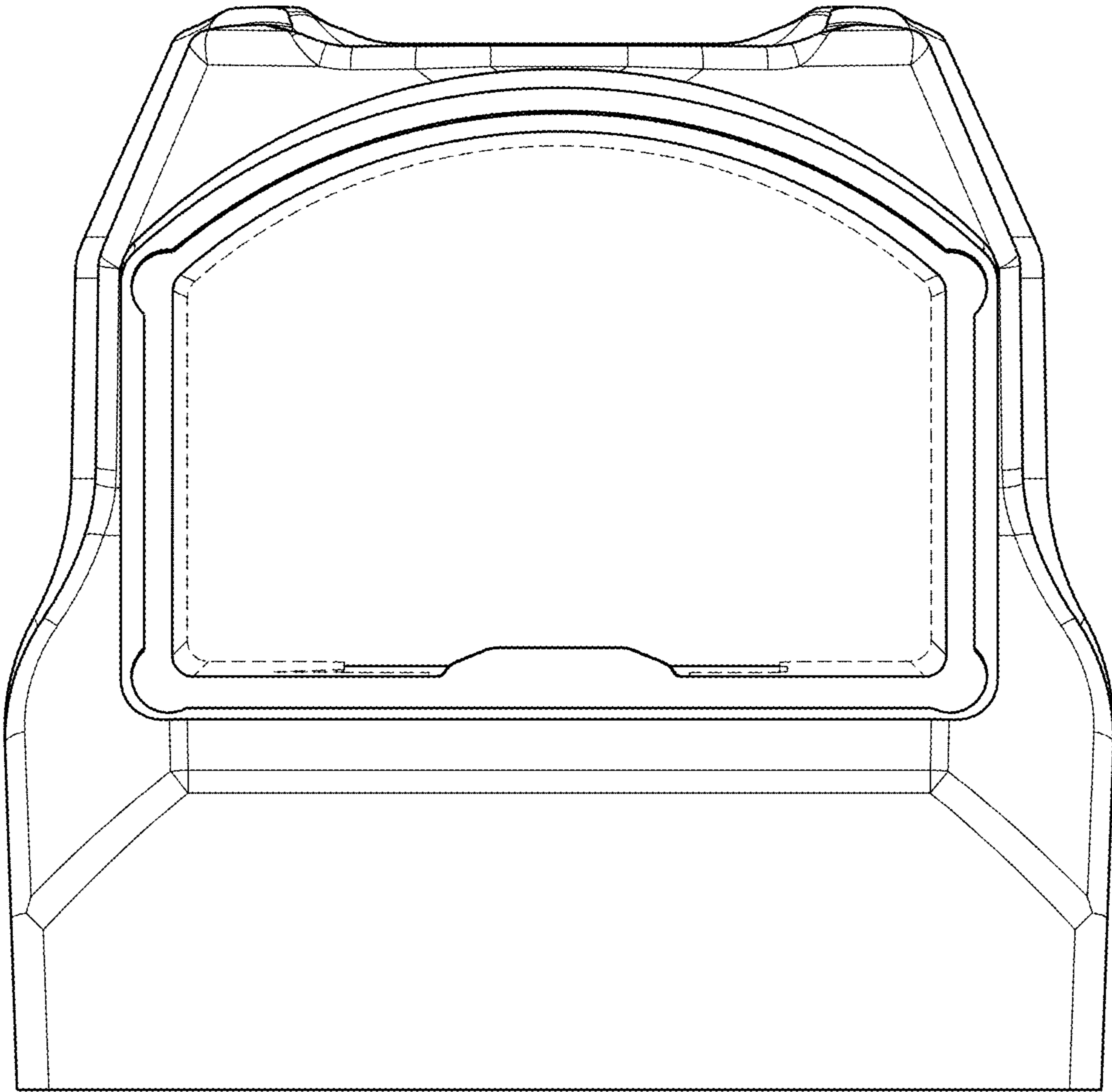


FIG. 6

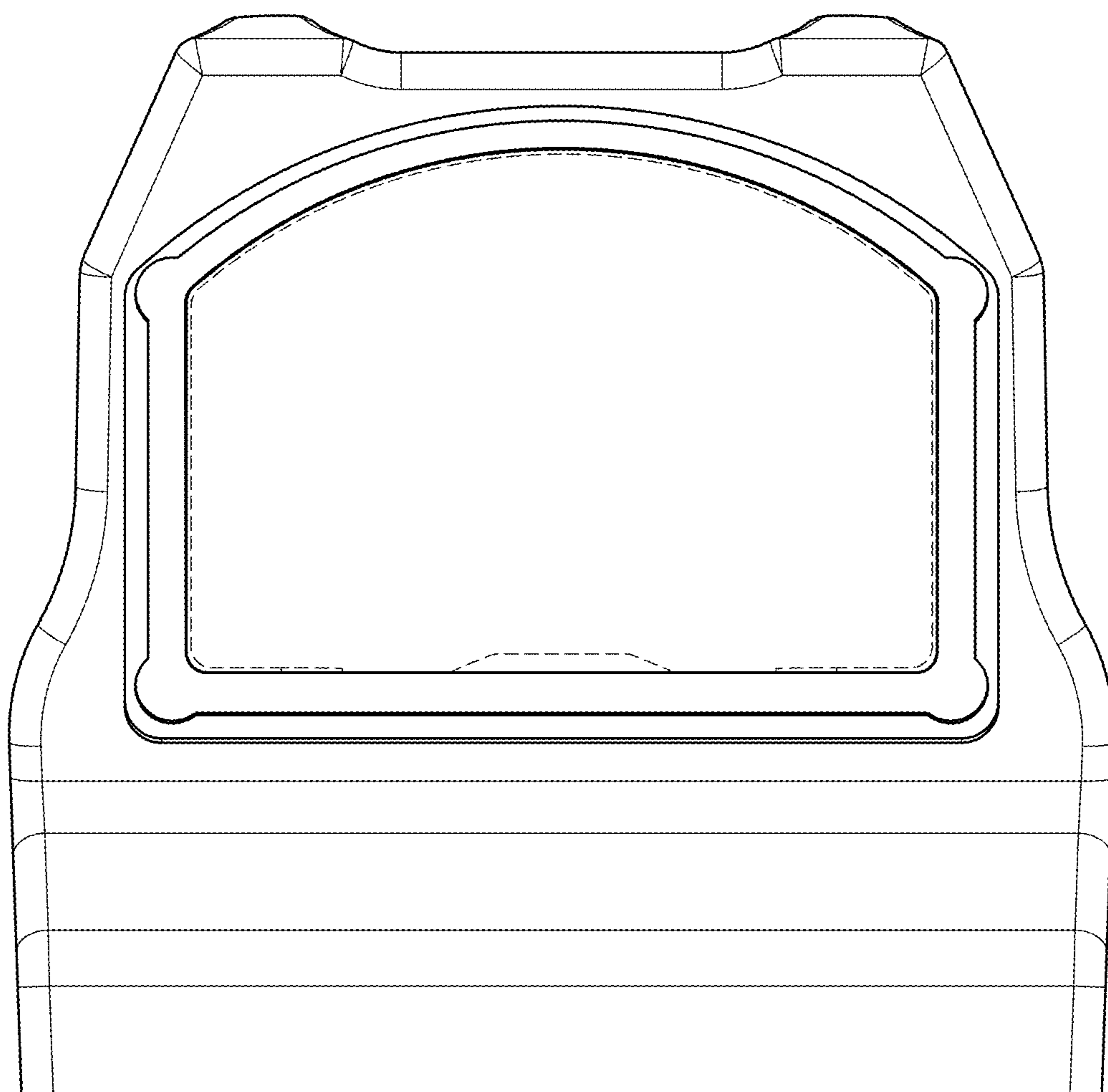


FIG. 7