



US00D882715S

(12) **United States Design Patent**  
**Biegel**

(10) **Patent No.:** **US D882,715 S**

(45) **Date of Patent:** **\*\* Apr. 28, 2020**

(54) **TRIGGER**

(71) Applicant: **CMC Triggers Corp.**, Fort Worth, TX  
(US)

(72) Inventor: **Jack Richard Biegel**, Mansfield, TX  
(US)

(73) Assignee: **CMC Triggers Corp.**, Fort Worth, TX  
(US)

(\*\*) Term: **15 Years**

(21) Appl. No.: **29/629,642**

(22) Filed: **Dec. 14, 2017**

(51) **LOC (12) Cl.** ..... **22-01**

(52) **U.S. Cl.**  
USPC ..... **D22/108**

(58) **Field of Classification Search**  
USPC ..... D22/103, 108, 109, 199; D8/68;  
D21/573, 574  
CPC ..... F41C 23/10; F41C 23/14; F41C 23/16;  
F41C 23/18  
See application file for complete search history.

(56) **References Cited**

**U.S. PATENT DOCUMENTS**

4,060,067	A *	11/1977	Dandine	.....	F41B 7/046	124/31
D371,591	S *	7/1996	Lenkarski	.....	D22/100	
5,927,578	A *	7/1999	Kay	.....	F41A 17/02	224/244
D441,410	S *	5/2001	Fernandez	.....	D21/574	
D448,451	S *	9/2001	Turnbull	.....	D23/226	
D454,306	S *	3/2002	Sweeton	.....	D9/434	
D462,105	S *	8/2002	Myers	.....	D22/108	
D473,910	S *	4/2003	Rice	.....	D22/108	
6,748,938	B2 *	6/2004	Rice	.....	F41A 17/06	124/77
6,802,305	B1 *	10/2004	Hatcher	.....	F41A 19/10	124/31

D504,168	S *	4/2005	McCormick	.....	D22/108	
7,686,006	B1 *	3/2010	Orr	.....	C04B 28/04	124/56
D624,609	S *	9/2010	Stein	.....	D21/573	

(Continued)

**OTHER PUBLICATIONS**

Facebook.com, CMC Triggers Corp. page, Publication date Jun. 16, 2017, [site visited Sep. 28, 2019], Available on the Internet URL <https://www.facebook.com/CmcTriggersCorp/photos/a.272136699597685/1080883432056337/?type=3&theater> (Year: 2017).\*

(Continued)

*Primary Examiner* — Karen S Acker

*Assistant Examiner* — Steven B Reinholdt, Jr.

(74) *Attorney, Agent, or Firm* — Wood Herron & Evans LLP

(57) **CLAIM**

The ornamental design for a trigger, as shown and described.

**DESCRIPTION**

FIG. 1 is a front top left side isometric view of a trigger showing my new design.

FIG. 2 is a front bottom left side isometric view thereof;

FIG. 3 is a rear bottom right side view thereof;

FIG. 4 is a rear top right side view thereof;

FIG. 5 is a left side elevation view thereof;

FIG. 6 is a right side elevation view thereof;

FIG. 7 is a front elevation view thereof;

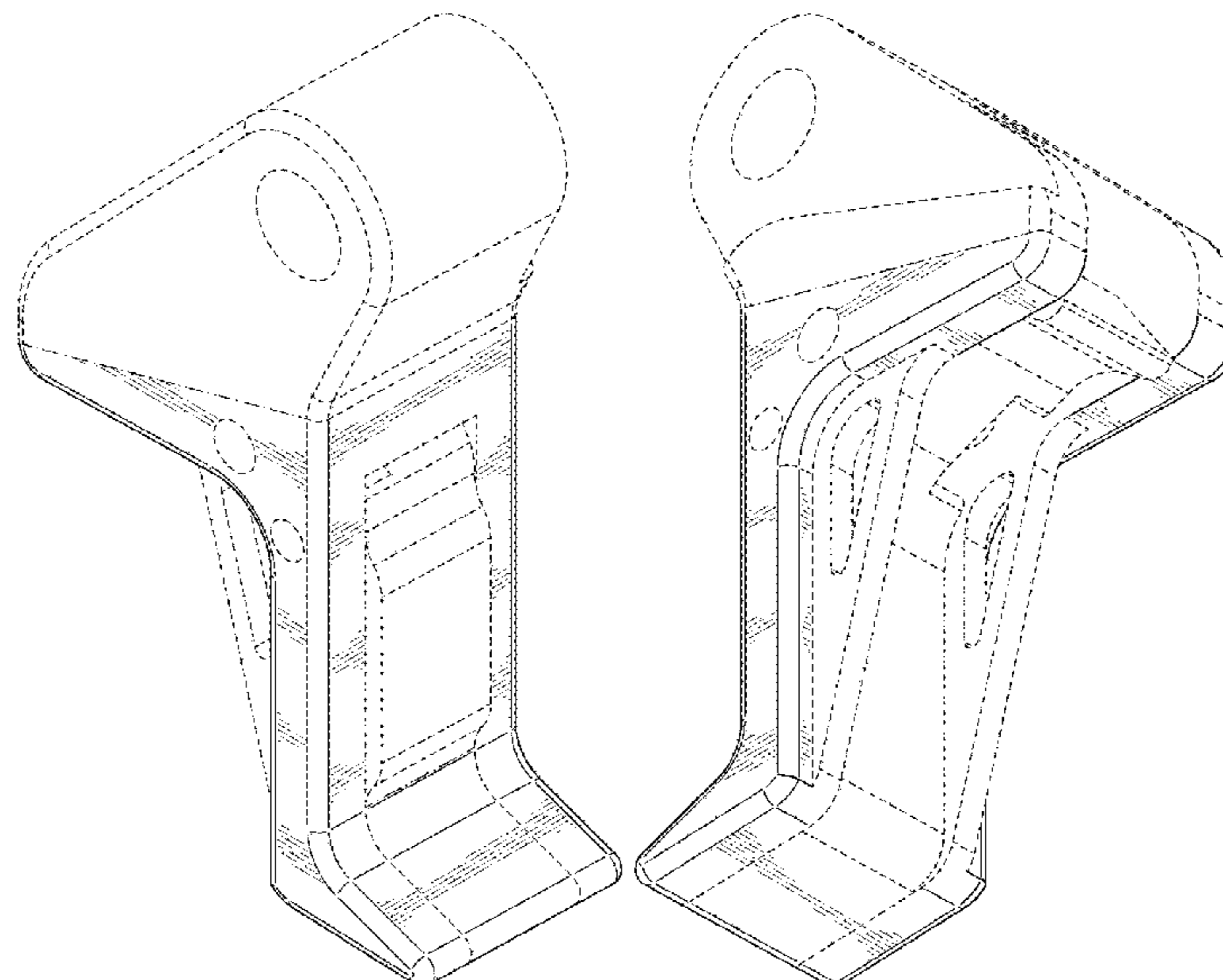
FIG. 8 is a rear elevation view thereof;

FIG. 9 is a top plan view thereof; and,

FIG. 10 is a bottom plan view thereof.

The broken dash lines in the figures depict portions of the trigger that form no part of the claimed design. The broken dash-dot lines denote boundaries of the claim that form no part thereof.

**1 Claim, 10 Drawing Sheets**



(56)

**References Cited**

U.S. PATENT DOCUMENTS

D659,790 S \* 5/2012 Geissele ..... D22/108  
D705,651 S \* 5/2014 Neumann ..... B05B 11/3057  
D9/448  
D750,725 S \* 3/2016 Capps ..... D22/108  
D755,339 S \* 5/2016 Geissele ..... D22/108  
D777,285 S \* 1/2017 Bender ..... D22/108  
D786,402 S \* 5/2017 Rose ..... D23/226  
D791,916 S \* 7/2017 Rose ..... D23/226  
9,835,398 B2 \* 12/2017 Biegel ..... F41A 19/15  
D832,388 S \* 10/2018 McNally ..... D22/108  
D833,561 S \* 11/2018 Pavlick ..... D22/108  
D833,562 S \* 11/2018 Geissele ..... D22/108  
D835,743 S \* 12/2018 Bender ..... D22/108  
2004/0200115 A1 \* 10/2004 Monks ..... F41A 19/10  
42/84

OTHER PUBLICATIONS

Midway USA website, CMC Triggers Drop-In Trigger Group AR-15, LR-308 Single Stage, Earliest comment date 2009, [site visited Sep. 28, 2019], Available on the Internet URL <https://www.midwayusa.com/product/3054292178> (Year: 2009).\*

\* cited by examiner

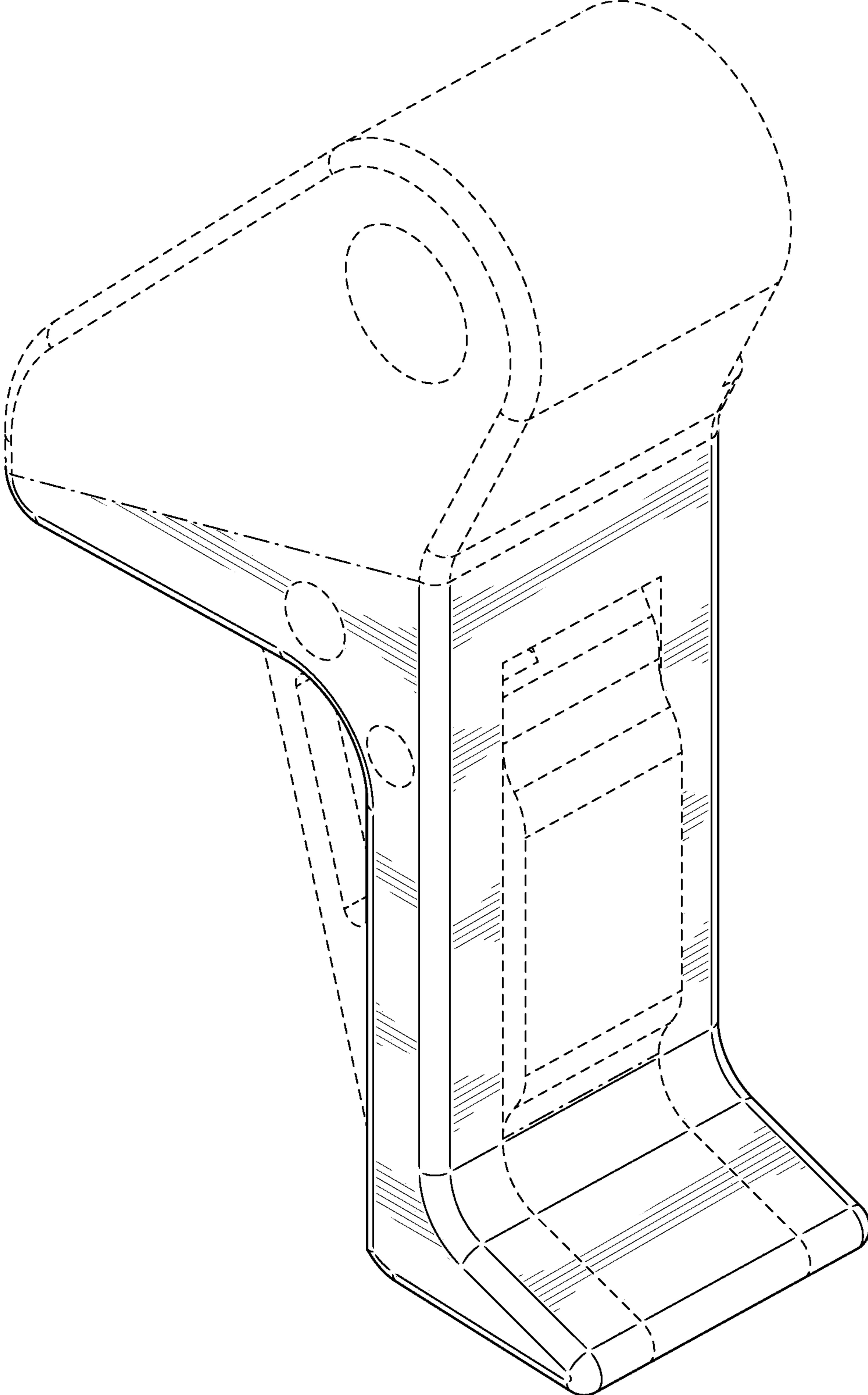


FIG. 1

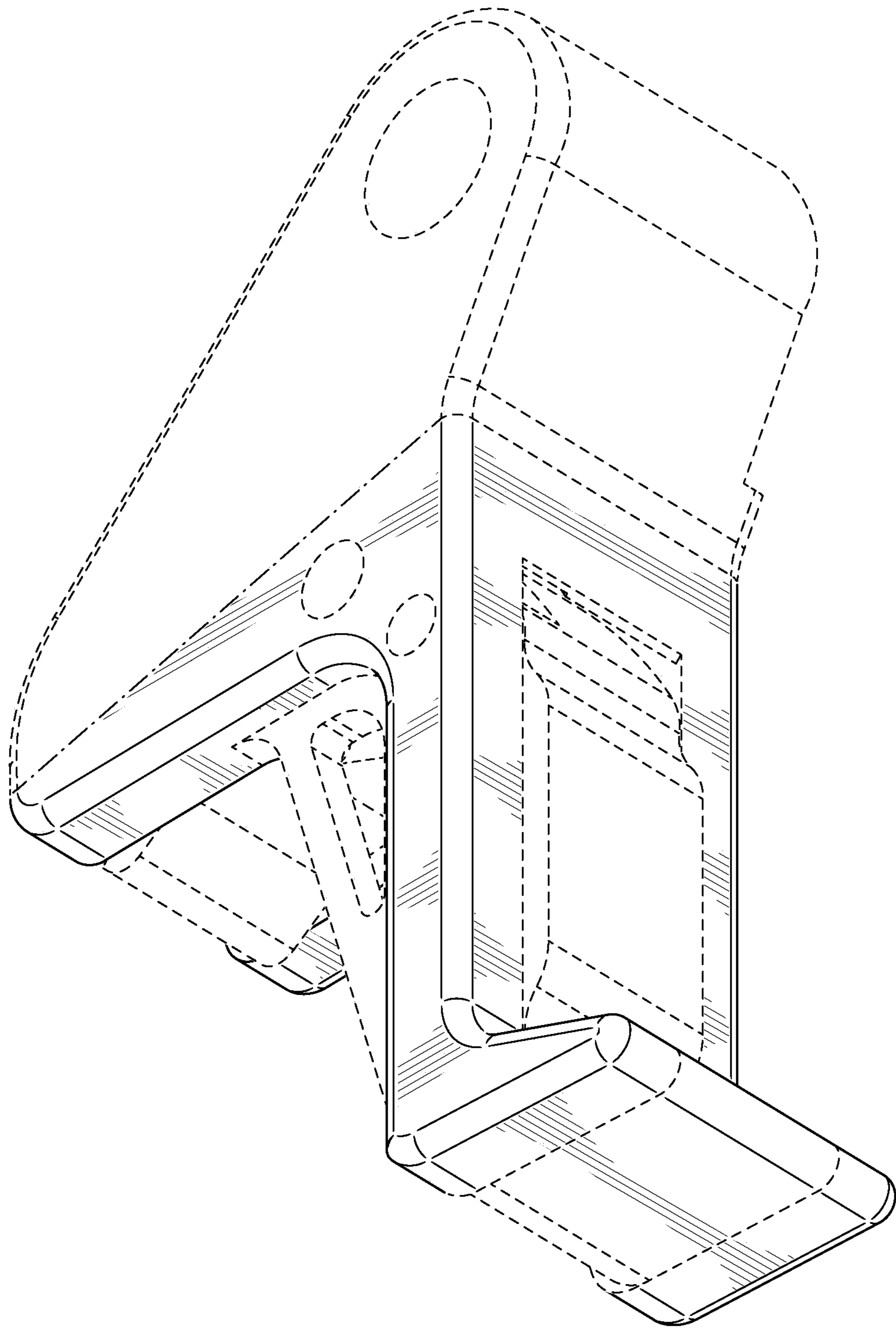


FIG. 2

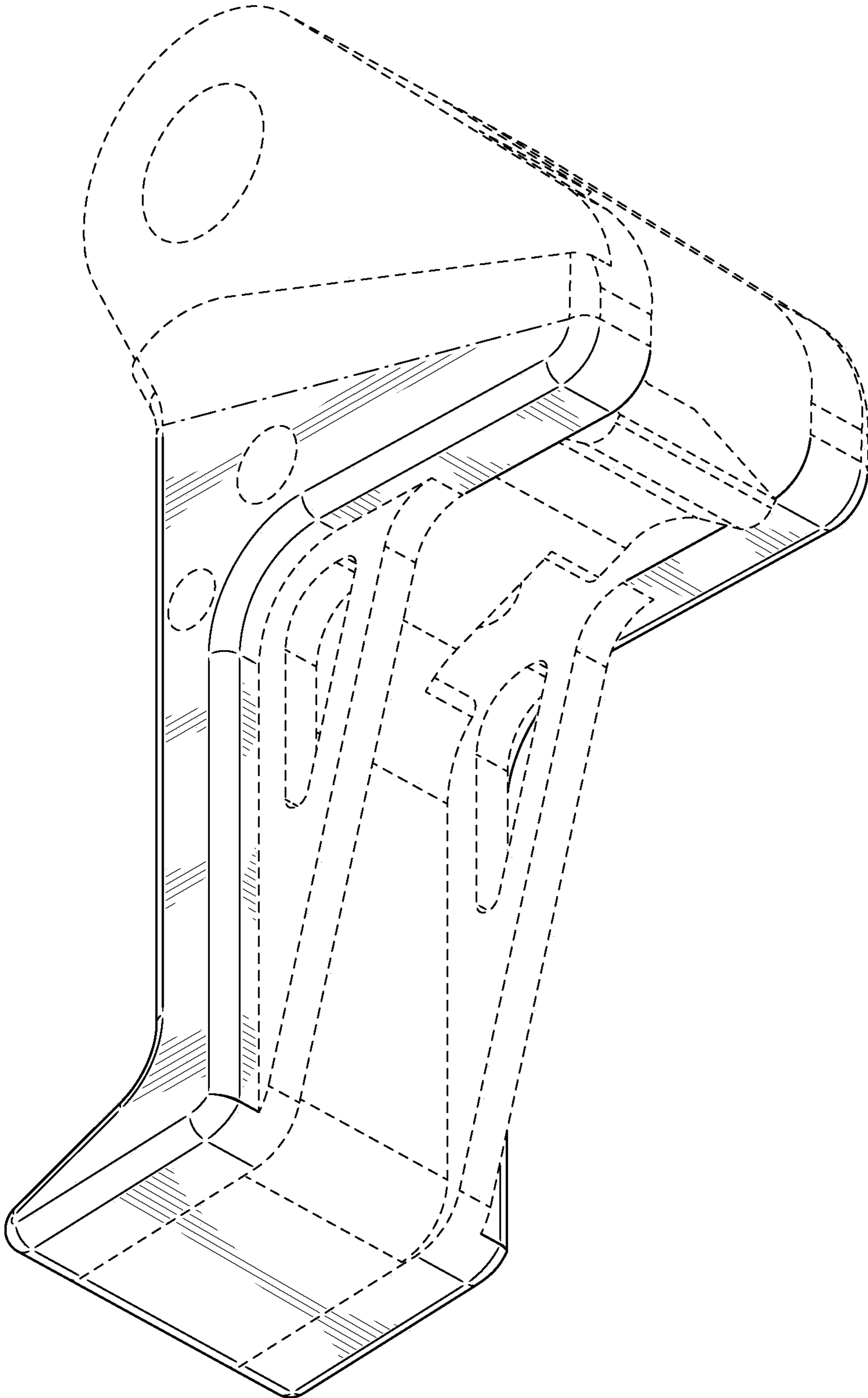


FIG. 3

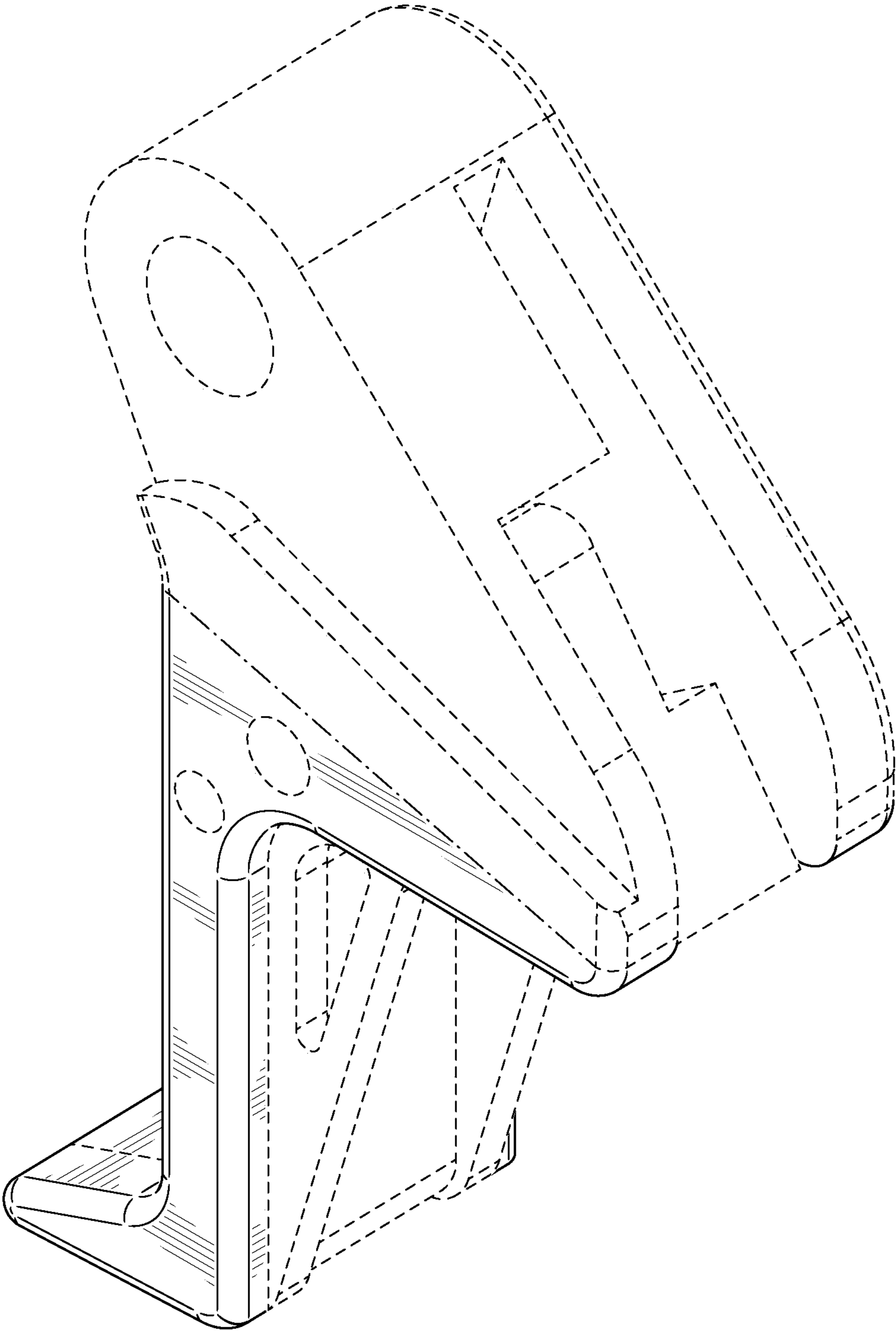


FIG. 4

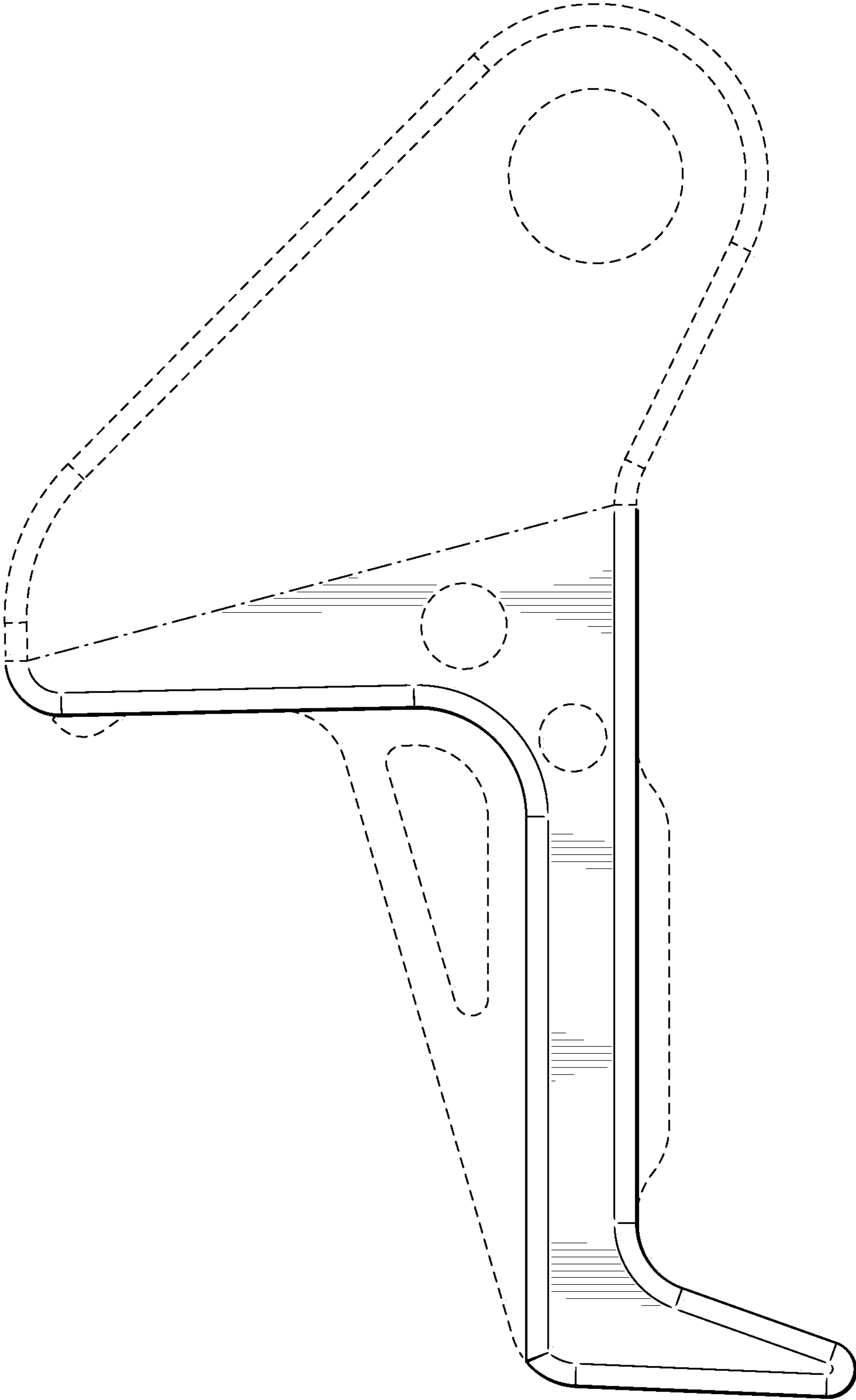


FIG. 5

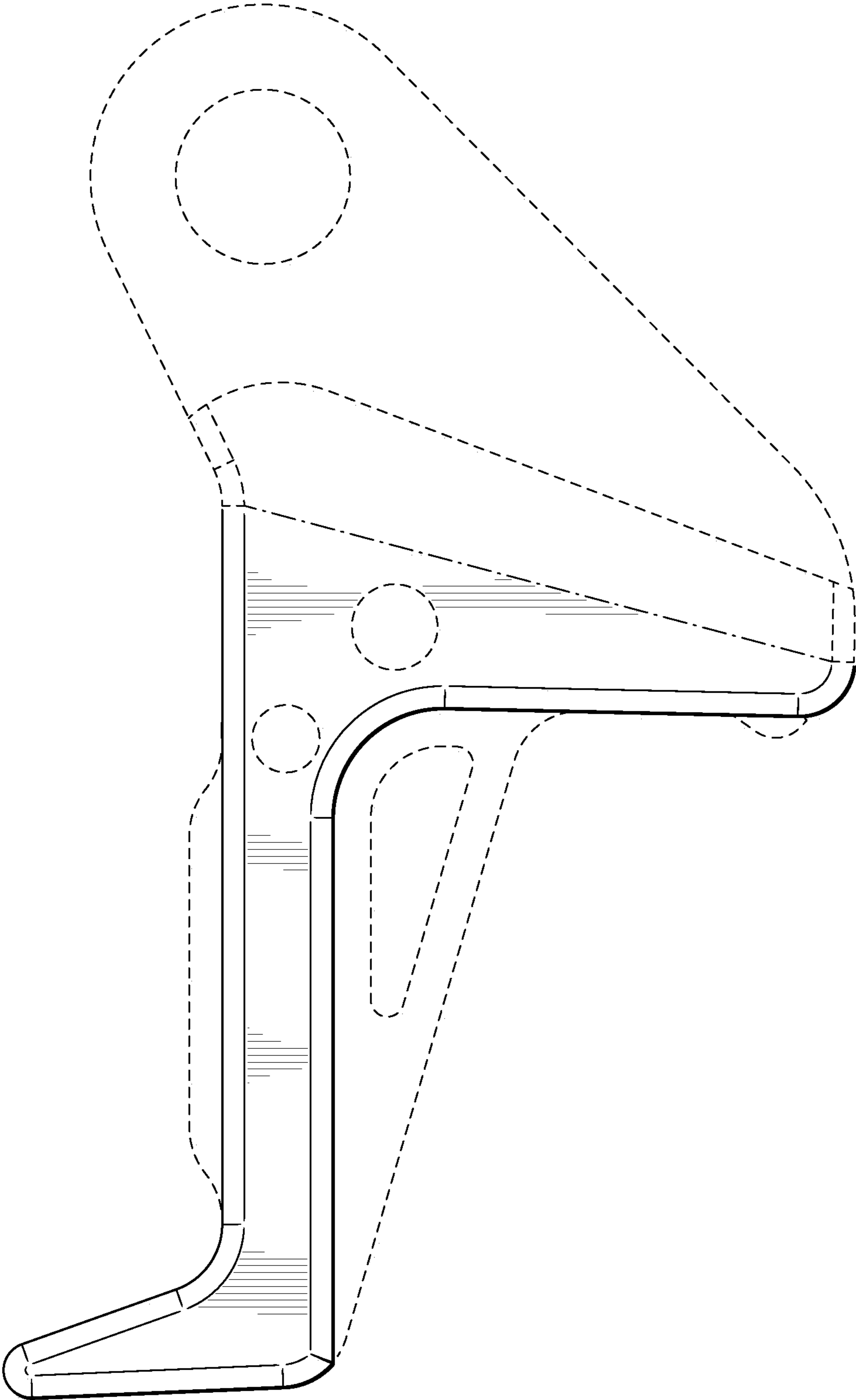


FIG. 6



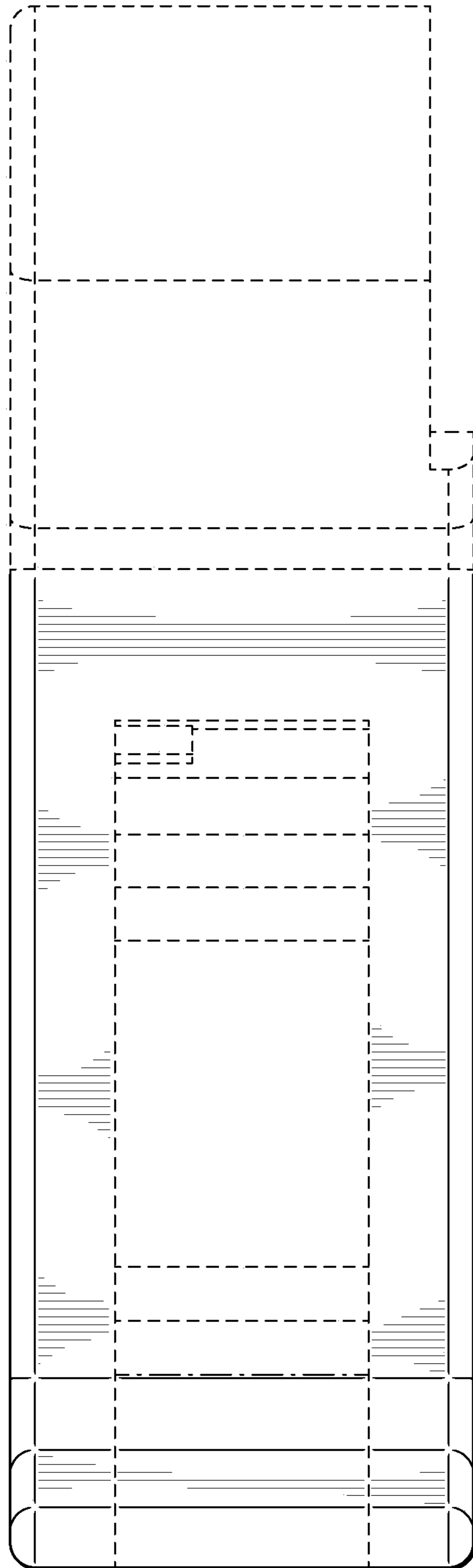


FIG. 7

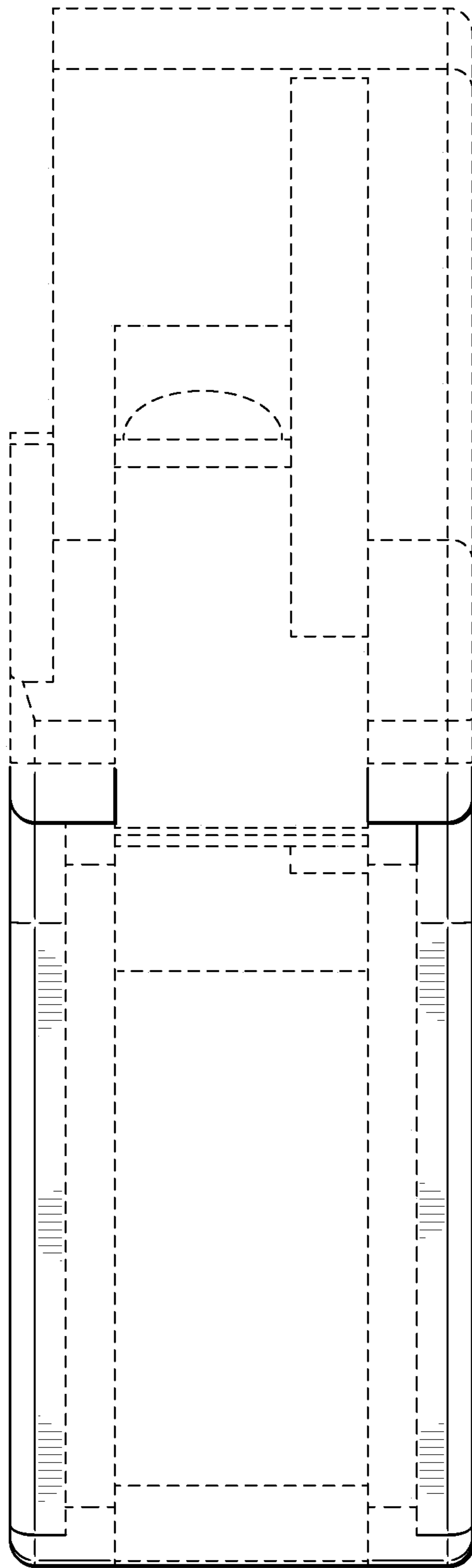


FIG. 8

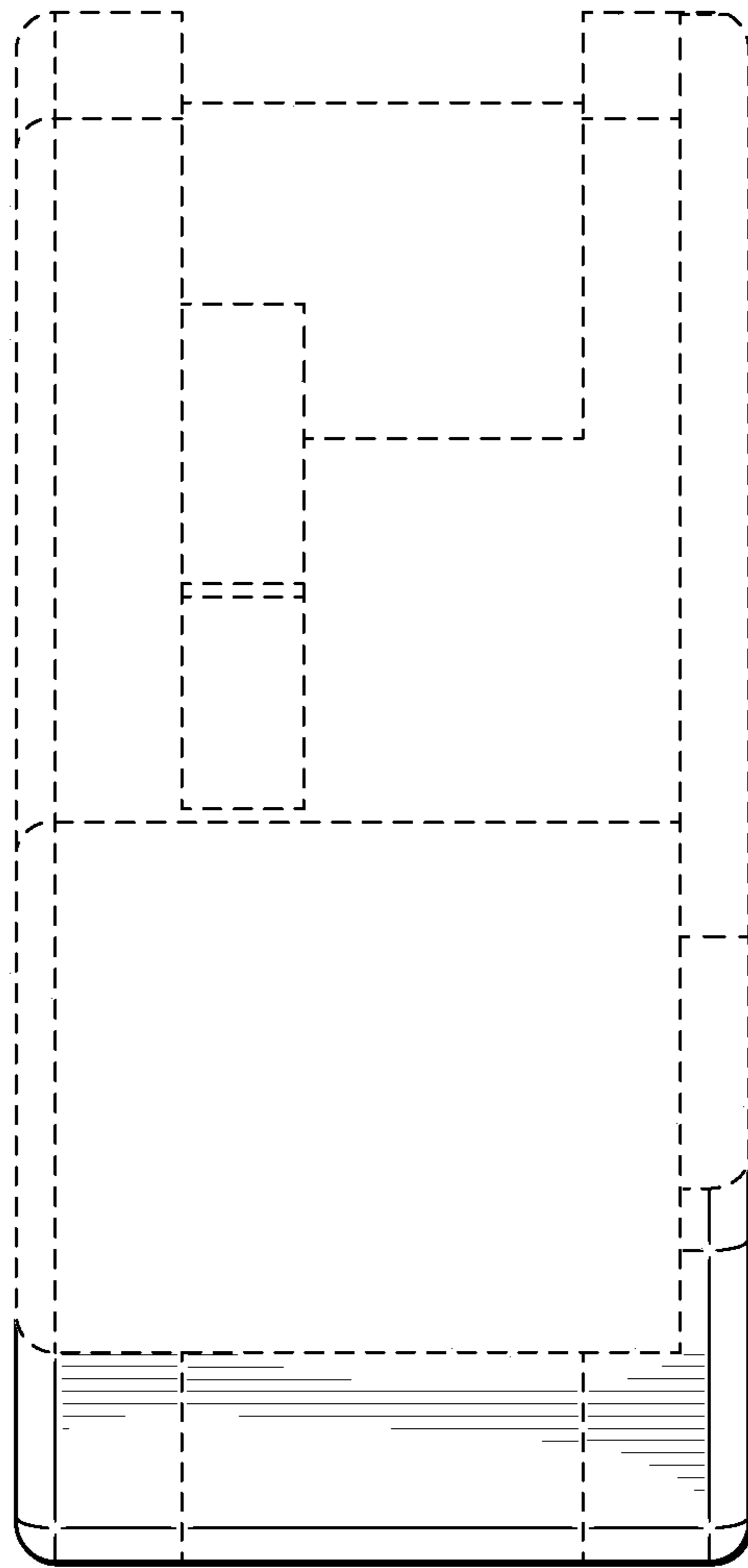


FIG. 9

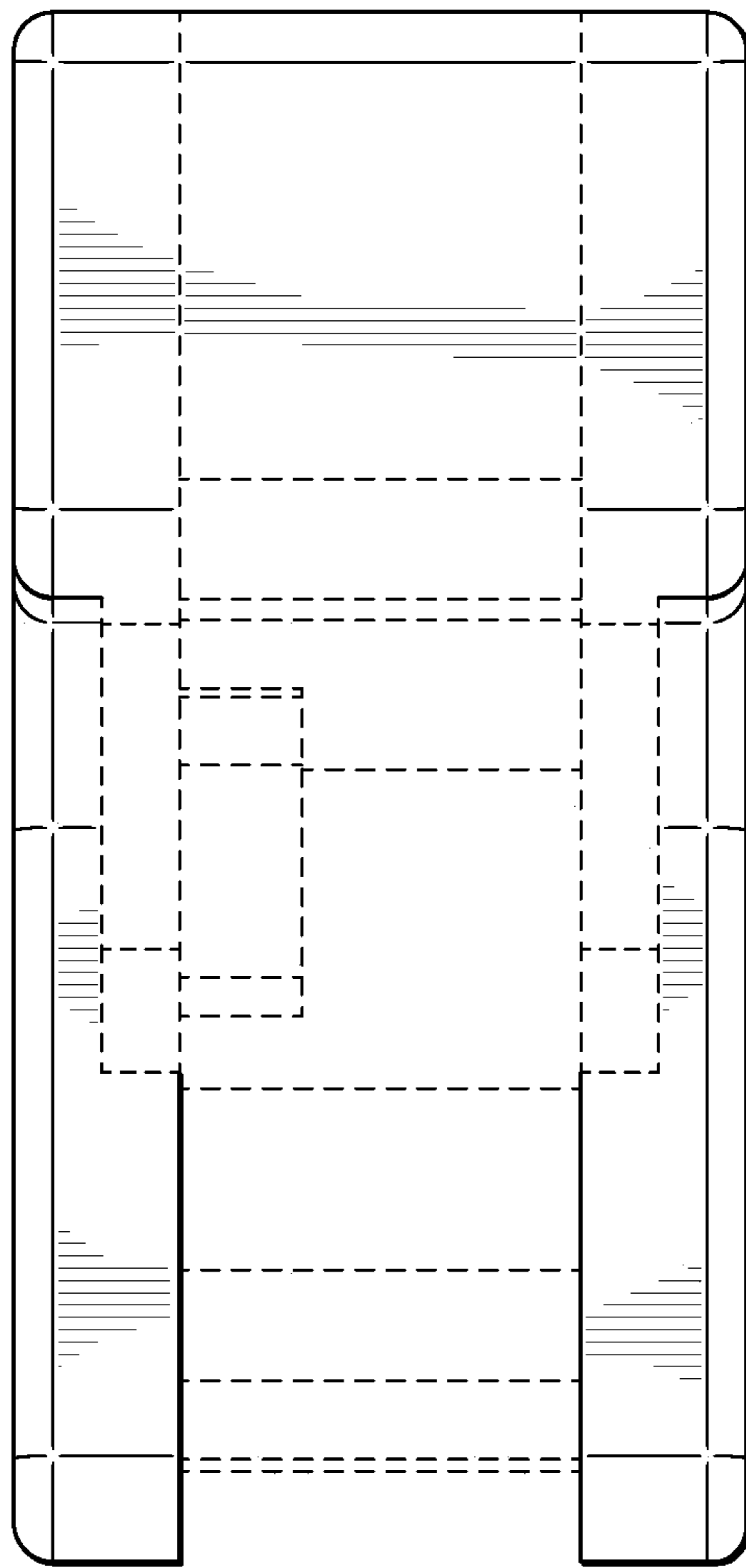


FIG. 10