



US00D882714S

(12) **United States Design Patent**
Iosilevsky

(10) **Patent No.:** **US D882,714 S**

(45) **Date of Patent:** **** *Apr. 28, 2020**

- (54) **FIREARM CHARGING HANDLE**
- (71) Applicant: **Alex Iosilevsky**, San Francisco, CA (US)
- (72) Inventor: **Alex Iosilevsky**, San Francisco, CA (US)
- (*) Notice: This patent is subject to a terminal disclaimer.
- (**) Term: **15 Years**
- (21) Appl. No.: **29/532,044**
- (22) Filed: **Jul. 1, 2015**
- (51) **LOC (12) Cl.** **22-01**
- (52) **U.S. Cl.**
USPC **D22/108**
- (58) **Field of Classification Search**
USPC D22/108, 199; D21/572-575; 42/51, 42/71.01, 72, 75.01, 75, 2, 90, 94, 111, 42/125, 134, 136, 139; 89/40.06, 41.19, 89/37.04, 33.04, 191.01, 200-204; 124/66, 67, 72, 74
CPC F41A 3/72; F41A 3/26; F41A 7/00; F41A 7/02; F41A 9/38; F41A 3/18
See application file for complete search history.

D726,860 S *	4/2015	Underwood	D22/108
D738,452 S *	9/2015	Underwood	D22/108
D749,687 S *	2/2016	Warensford	D22/108
D772,369 S *	11/2016	Geissele	D22/108
D781,988 S *	3/2017	Geissele	D22/108
9,683,795 B1 *	6/2017	Novak	F41A 35/06
D794,741 S *	8/2017	Geissele	D22/108
D796,620 S *	9/2017	Geissele	D22/108
9,791,225 B2 *	10/2017	Seuk	F41A 35/06
D805,598 S *	12/2017	Geissele	D22/108
D825,020 S *	8/2018	Smith	D22/108
10,161,697 B1 *	12/2018	Underwood	F41A 3/72
2011/0005372 A1 *	1/2011	Kincel	F41A 3/72
				89/1.4
2017/0299294 A1 *	10/2017	Underwood	F41A 13/00

* cited by examiner

Primary Examiner — Karen S Acker
Assistant Examiner — S. Bryan Reinholdt, Jr.
 (74) *Attorney, Agent, or Firm* — Wood Herron & Evans LLP

(57) **CLAIM**

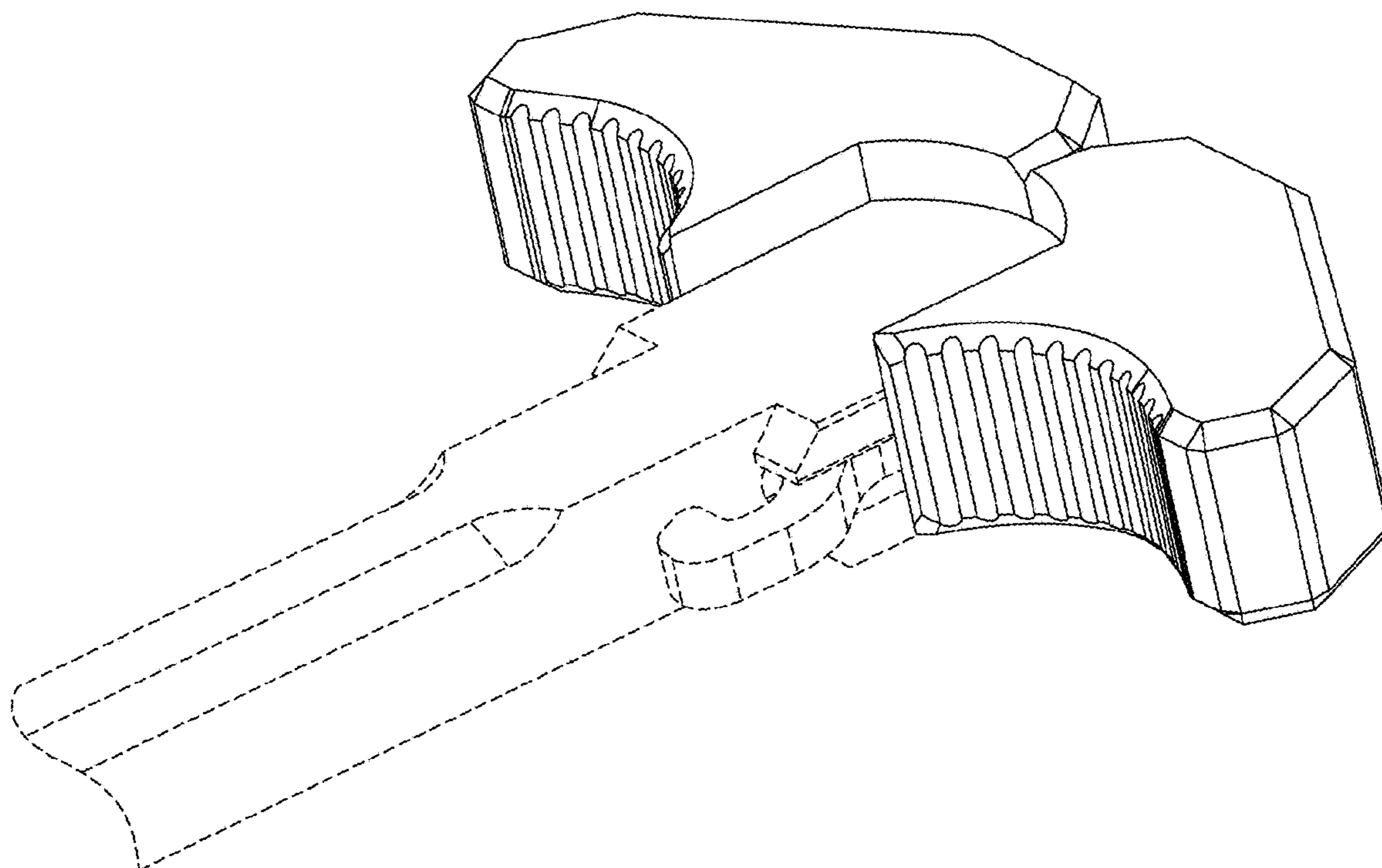
The ornamental design for a firearm charging handle, as shown and described.

DESCRIPTION

FIG. 1 is an enlarged front, left perspective view of a firearm charging handle
 FIG. 2 is a top plan view thereof;
 FIG. 3 is a left side elevation view thereof; and,
 FIG. 4 is an enlarged rear elevation view thereof.
 The broken lines in the drawings depict parts of the firearm charging handle that form no part of the claimed design.

1 Claim, 4 Drawing Sheets

- (56) **References Cited**
U.S. PATENT DOCUMENTS
7,861,635 B1 * 1/2011 Hoel F41A 35/06
42/16
D694,354 S * 11/2013 Underwood D22/108



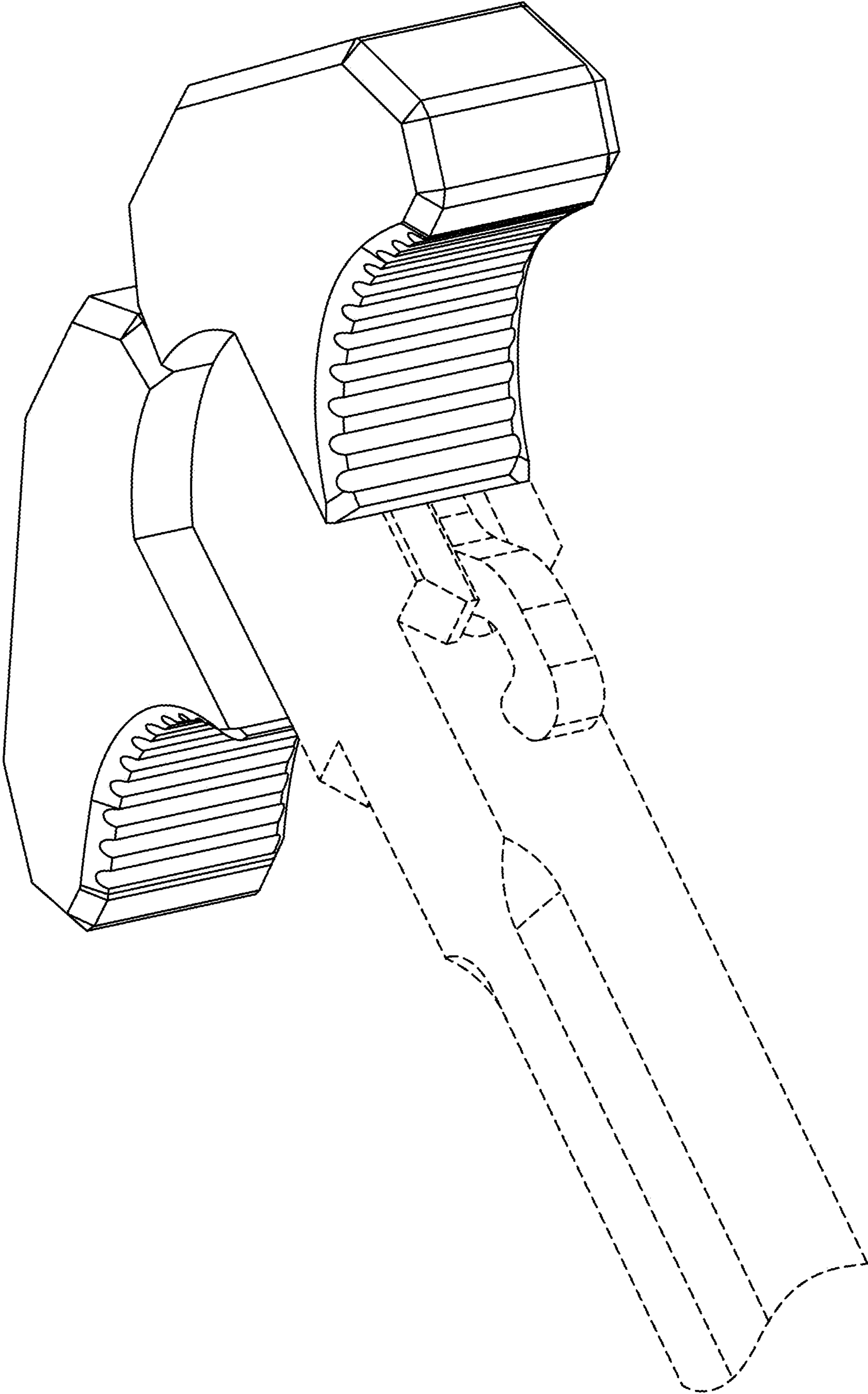


FIG. 1

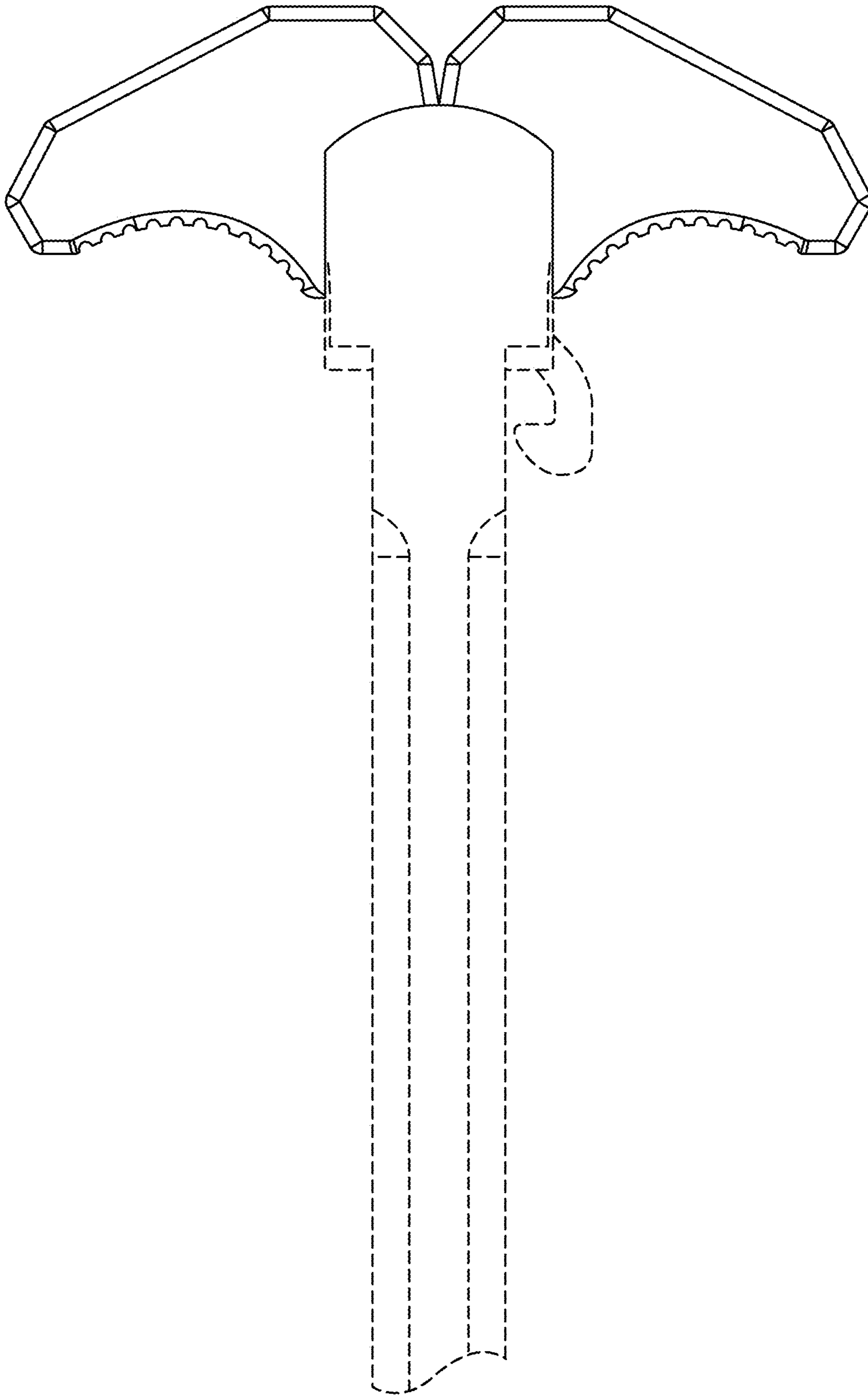


FIG. 2

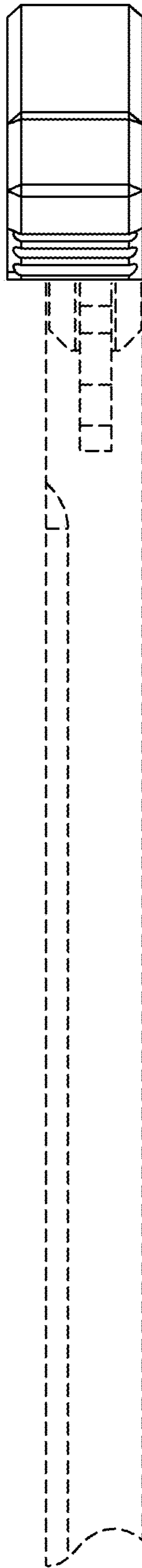


FIG. 3

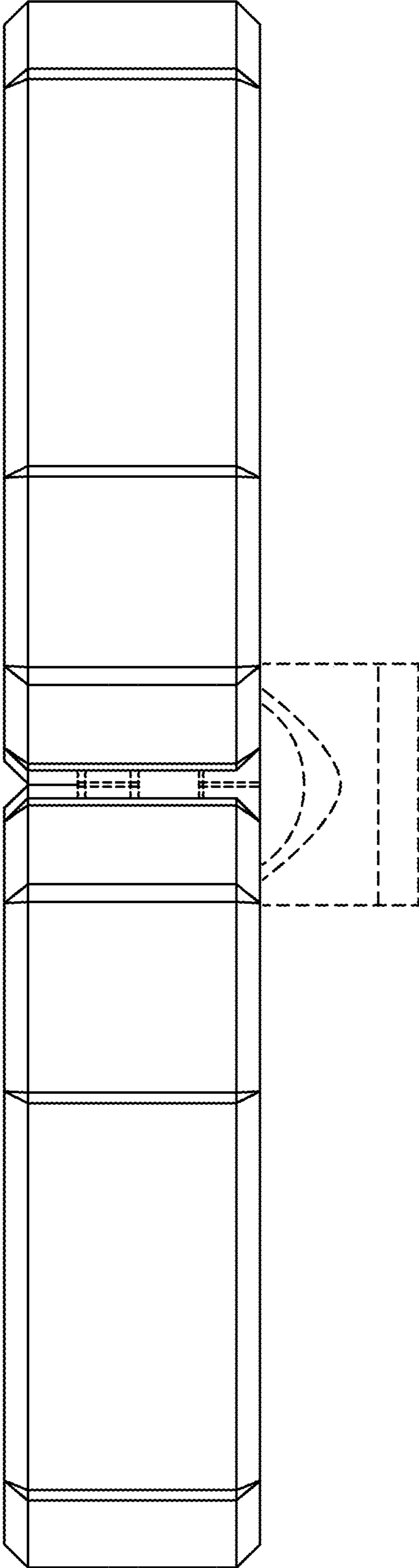


FIG. 4