



US00D882713S

(12) **United States Design Patent**
Engler et al.

(10) **Patent No.:** **US D882,713 S**
(45) **Date of Patent:** **** Apr. 28, 2020**

(54) **INFLATABLE POOL FLOAT**

- (71) Applicant: **P&P Imports LLC**, Santa Ana, CA (US)
- (72) Inventors: **Peter Engler**, Newport Beach, CA (US); **Peter Tanoury**, Newport Beach, CA (US); **Sean Kyne**, Dana Point, CA (US)
- (73) Assignee: **P&P Imports LLC**, Irvine, CA (US)
- (**) Term: **15 Years**

- (21) Appl. No.: **29/679,897**
- (22) Filed: **Feb. 11, 2019**
- (51) **LOC (12) Cl.** **21-02**
- (52) **U.S. Cl.**
USPC **D21/808**; D21/803
- (58) **Field of Classification Search**
USPC D21/803, 804, 807, 808, 809, 810;
D6/392, 595, 596, 601, 604, 605;
D30/160; D24/194, 195, 214
CPC .. A63B 21/4005; A47C 15/006; A47C 15/008
See application file for complete search history.

(56) **References Cited**

U.S. PATENT DOCUMENTS

D268,222 S *	3/1983	Chen	2/158
D332,125 S *	12/1992	Gagnon	D21/808
D353,687 S *	12/1994	Dacko	D21/599
D445,285 S *	7/2001	Kwapis	D21/808
D557,356 S *	12/2007	Johnston	D21/572
D575,834 S *	8/2008	Welch	D21/572
D607,064 S *	12/2009	Thorsen	D21/599
D731,002 S *	6/2015	Phillips	D21/599
D736,335 S *	8/2015	Liberatore	D21/803
9,782,011 B2 *	10/2017	Liberatore	A63H 23/10
D838,797 S *	1/2019	Denney, Jr.	D21/808
D853,514 S *	7/2019	Zucchelli	D21/808

(Continued)

OTHER PUBLICATIONS

GoFloats 'Great White Bite' Jr Pool Float Party Tube, Stylish Floating: Published Apr. 19, 2019 [online], site visited Jan. 29, 2020. Available from Internet URL:https://www.amazon.com/dp/B07XB2TMG2/ref=cm_sw_r_tw_dp_U_x_hrDmEbM8X0FTC (Year: 2019).*

(Continued)

Primary Examiner — Jack Reickel

Assistant Examiner — Melvin L Davis

(74) *Attorney, Agent, or Firm* — Casey Kempner

(57) **CLAIM**

The ornamental design for an inflatable pool float, as shown and described.

DESCRIPTION

FIG. 1 is a front-perspective view of an inflatable pool float showing the claimed design.

FIG. 2 is a back-perspective view of the inflatable pool float shown in FIG. 1.

FIG. 3 is a top view of the inflatable pool float shown in FIG. 1.

FIG. 4 is a bottom view of the inflatable pool float shown in FIG. 1.

FIG. 5 is a right-side view of the inflatable pool float shown in FIG. 1.

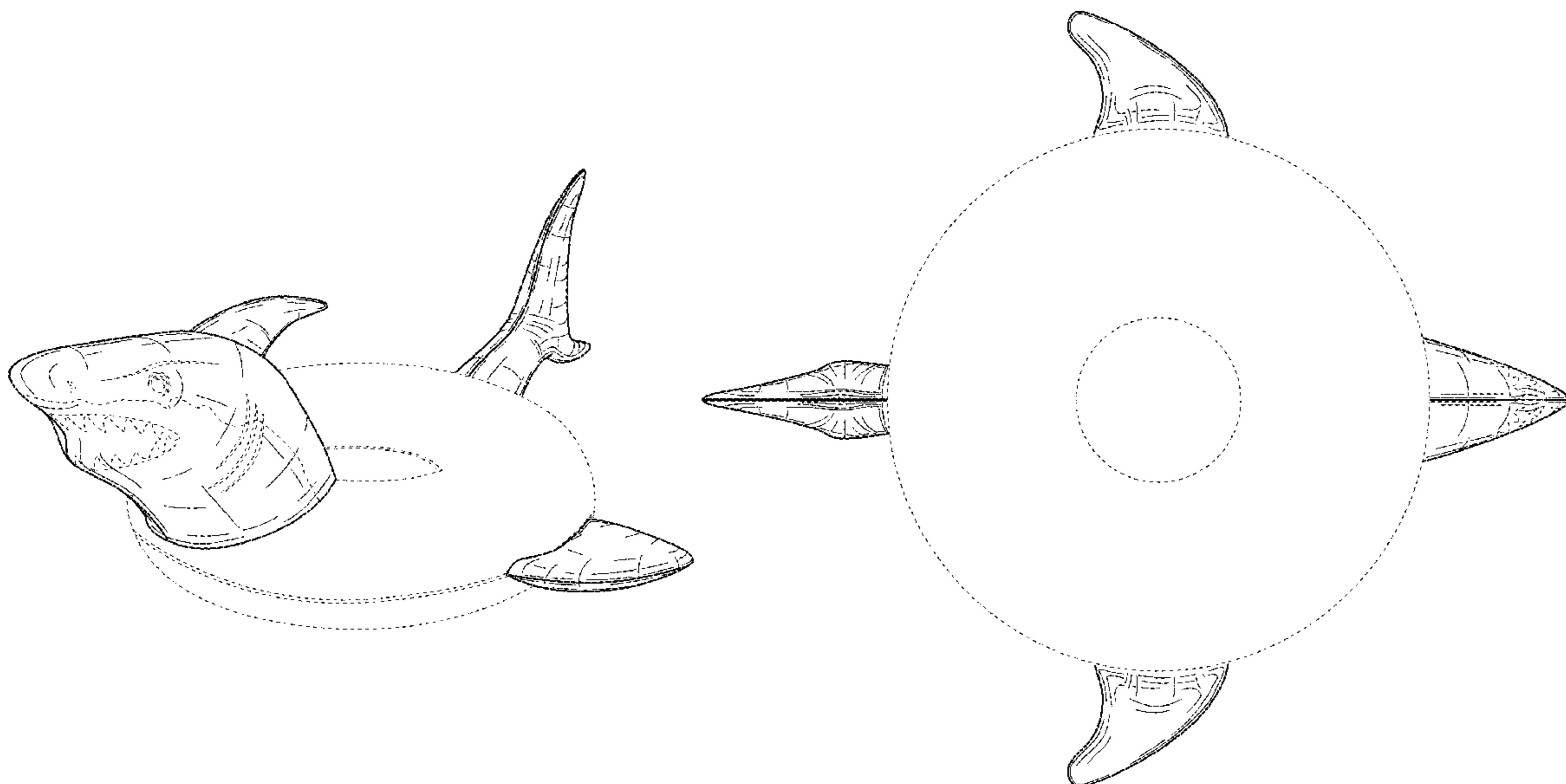
FIG. 6 is a left-side view of the inflatable pool float shown in FIG. 1.

FIG. 7 is a front view of the inflatable pool float shown in FIG. 1; and,

FIG. 8 is a rear view of the inflatable pool float shown in FIG. 1.

The dashed lines in the figures show portions of the inflatable pool float that form no part of the claimed design.

1 Claim, 8 Drawing Sheets



(56)

References Cited

U.S. PATENT DOCUMENTS

2015/0190723 A1* 7/2015 Liberatore A63G 19/00
446/153

OTHER PUBLICATIONS

Giant Shark Pool Float: Published 2016 [online], site visited Jan. 29, 2020. Available from Internet URL: <https://www.smockedauctions.com/giant-shark-pool-float.html> (Year: 2016).*

Intex—Inflatable Shark: Published Jul. 17, 2012 [online], site visited Feb. 3, 2020. Available from Internet URL: https://www.amazon.co.uk/dp/B00H5B7KS2/ref=cm_sw_r_tw_dp_U_x_chgoEbQAWM291 (Year: 2012).*

* cited by examiner

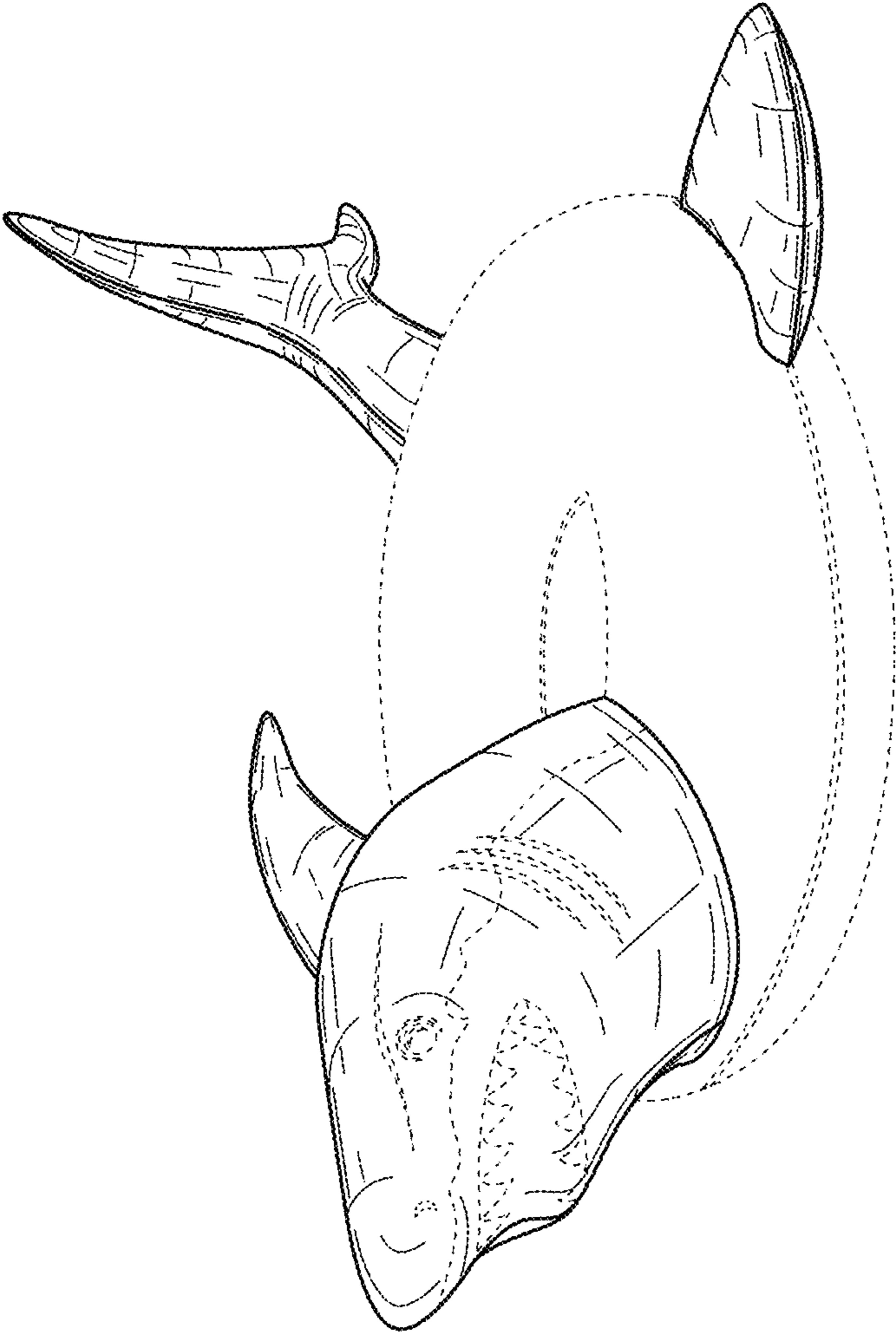


FIG. 1

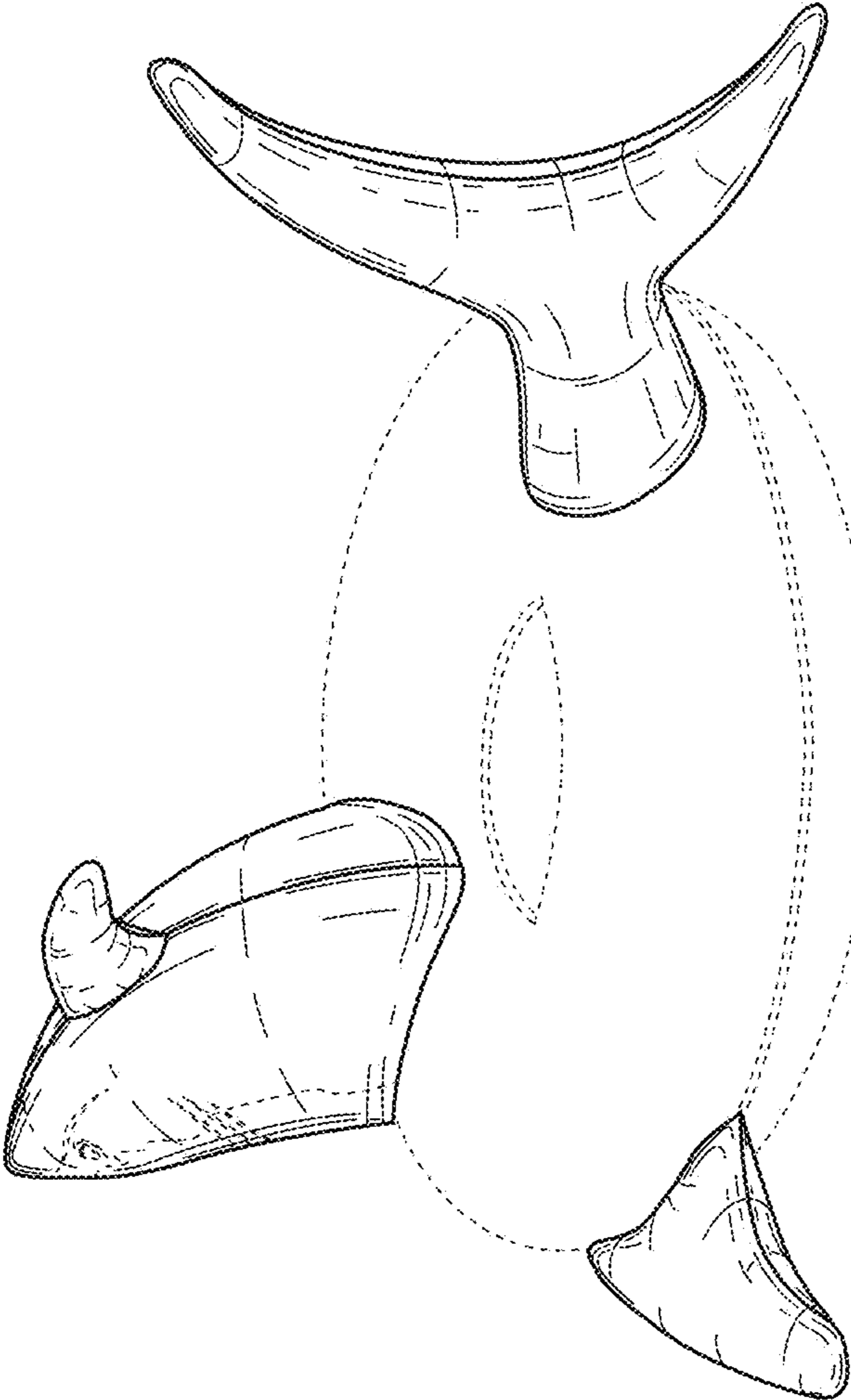


FIG. 2

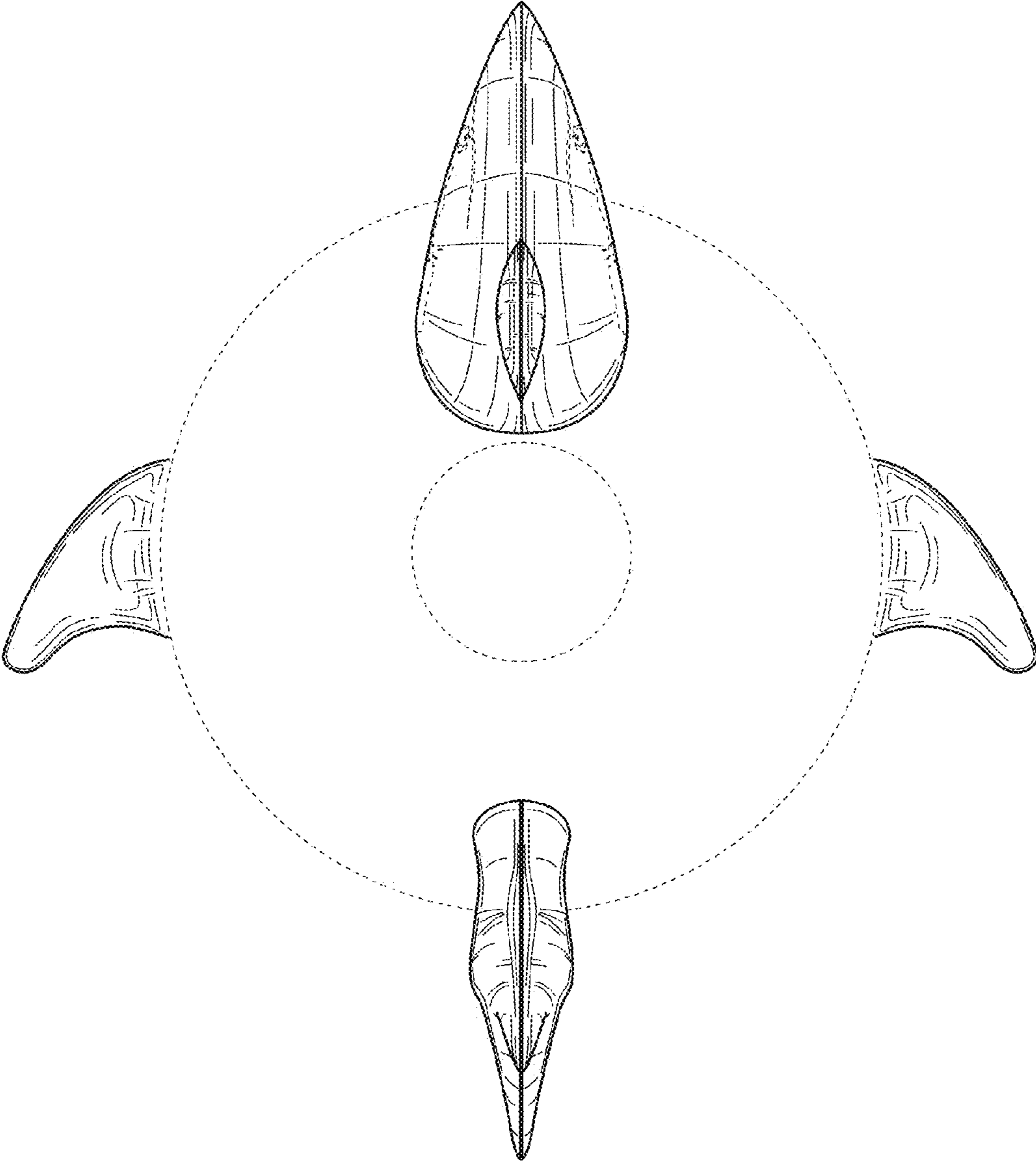


FIG. 3

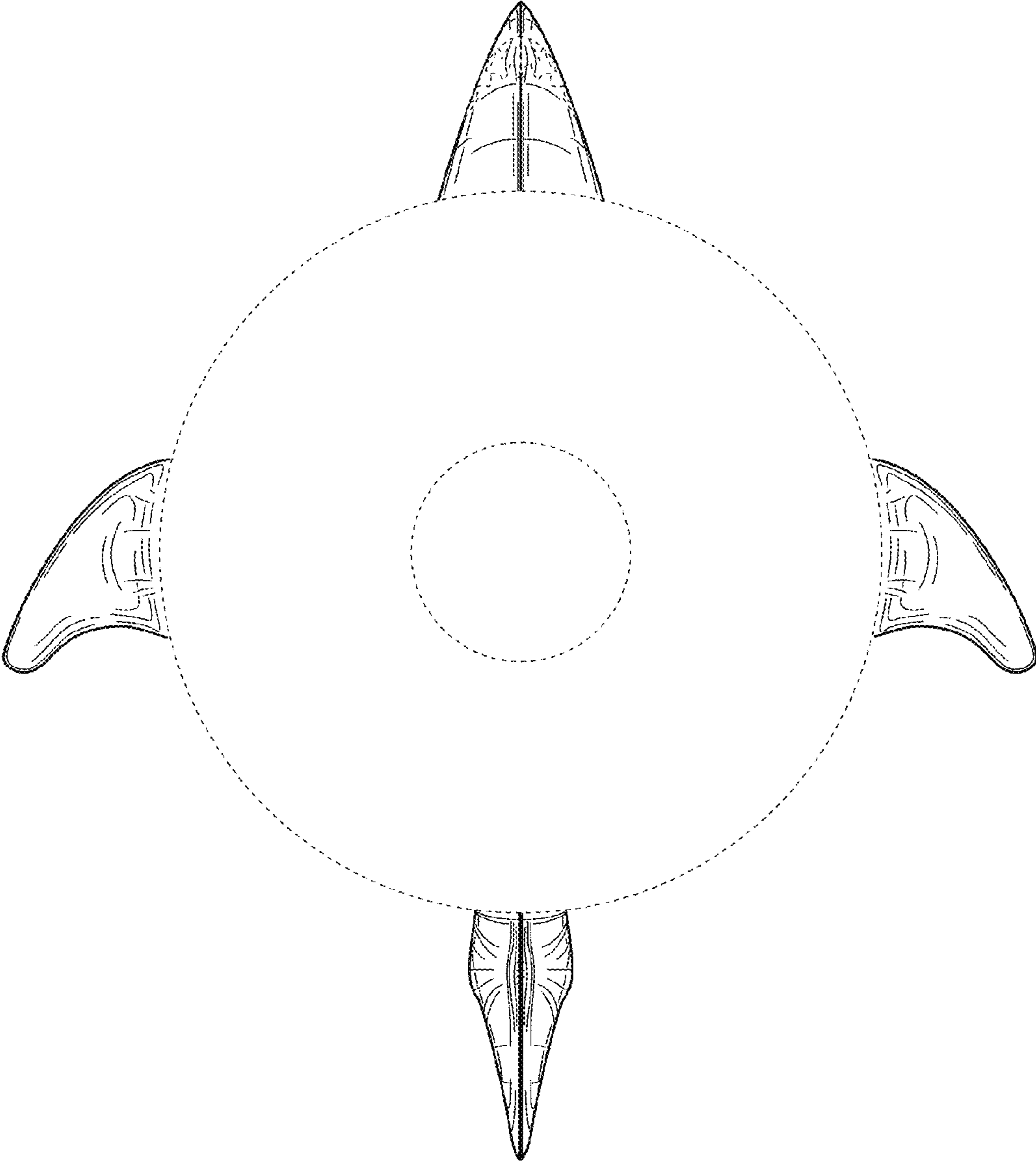


FIG. 4

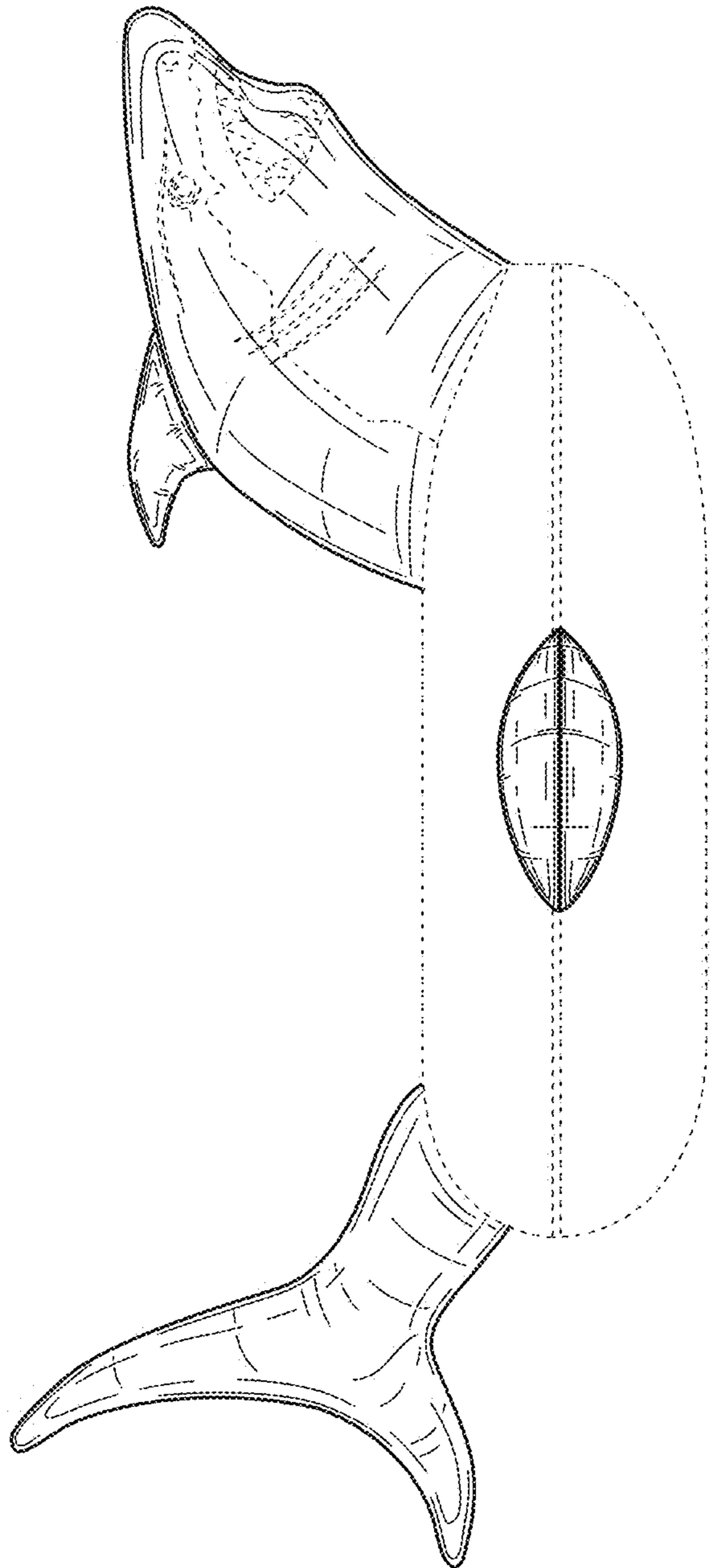


FIG. 5

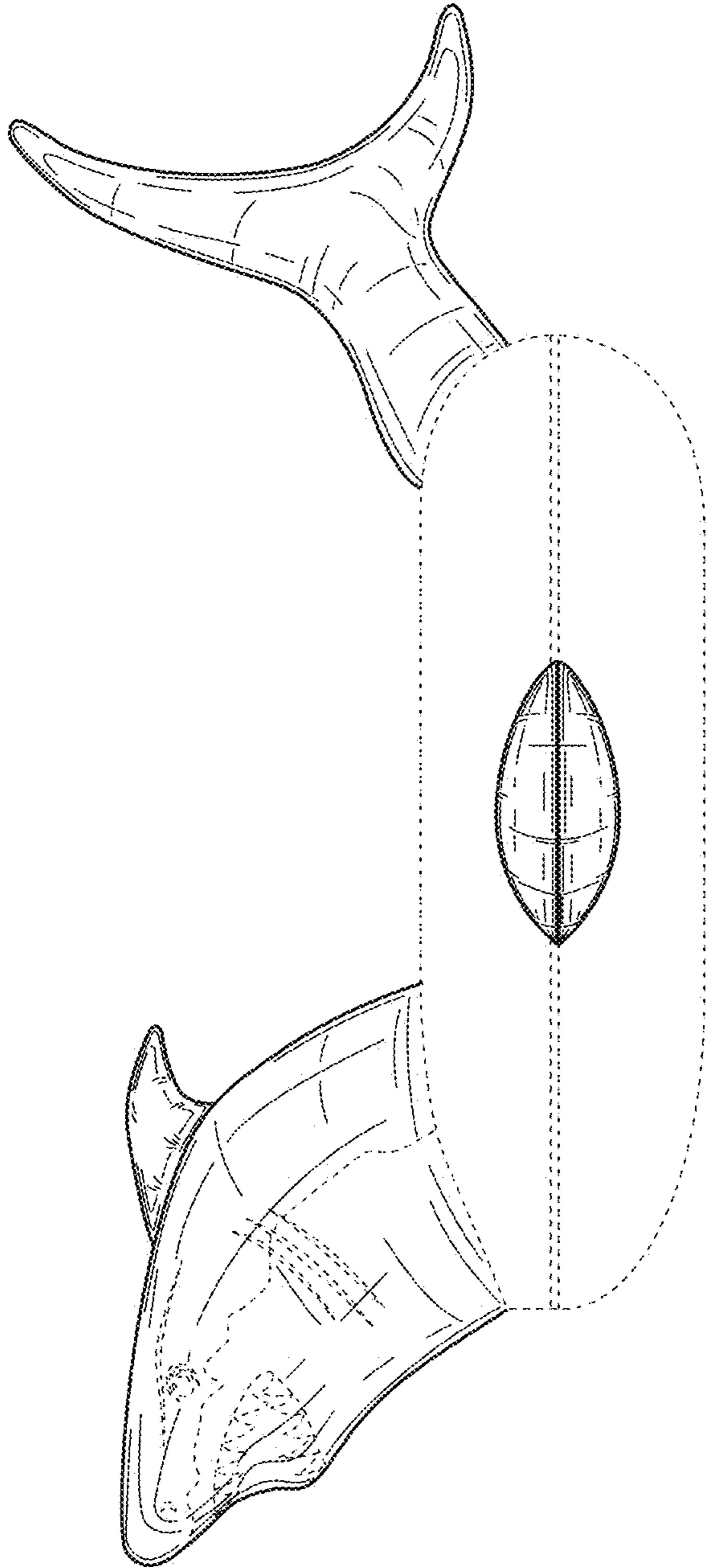


FIG. 6

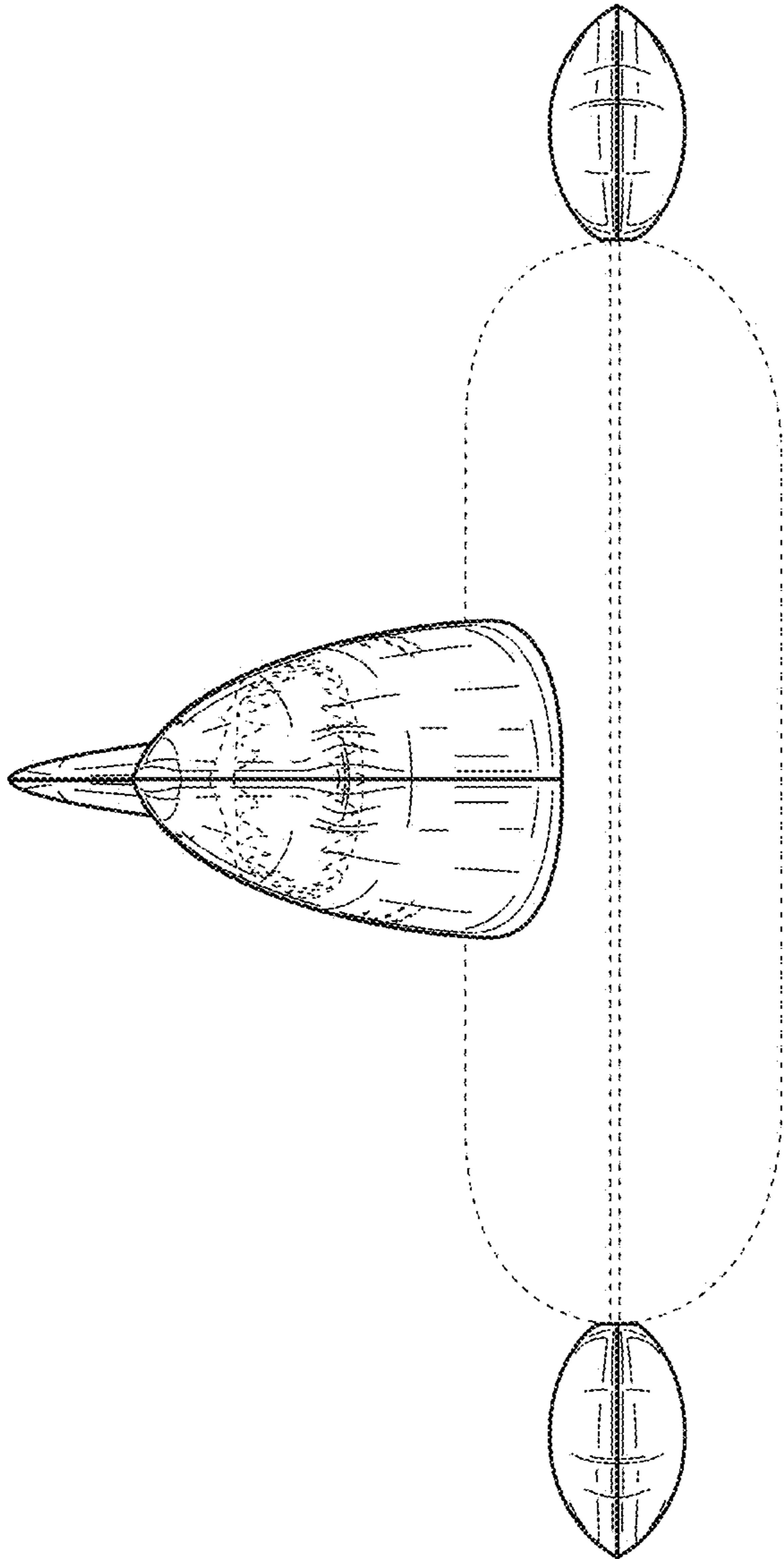


FIG. 7

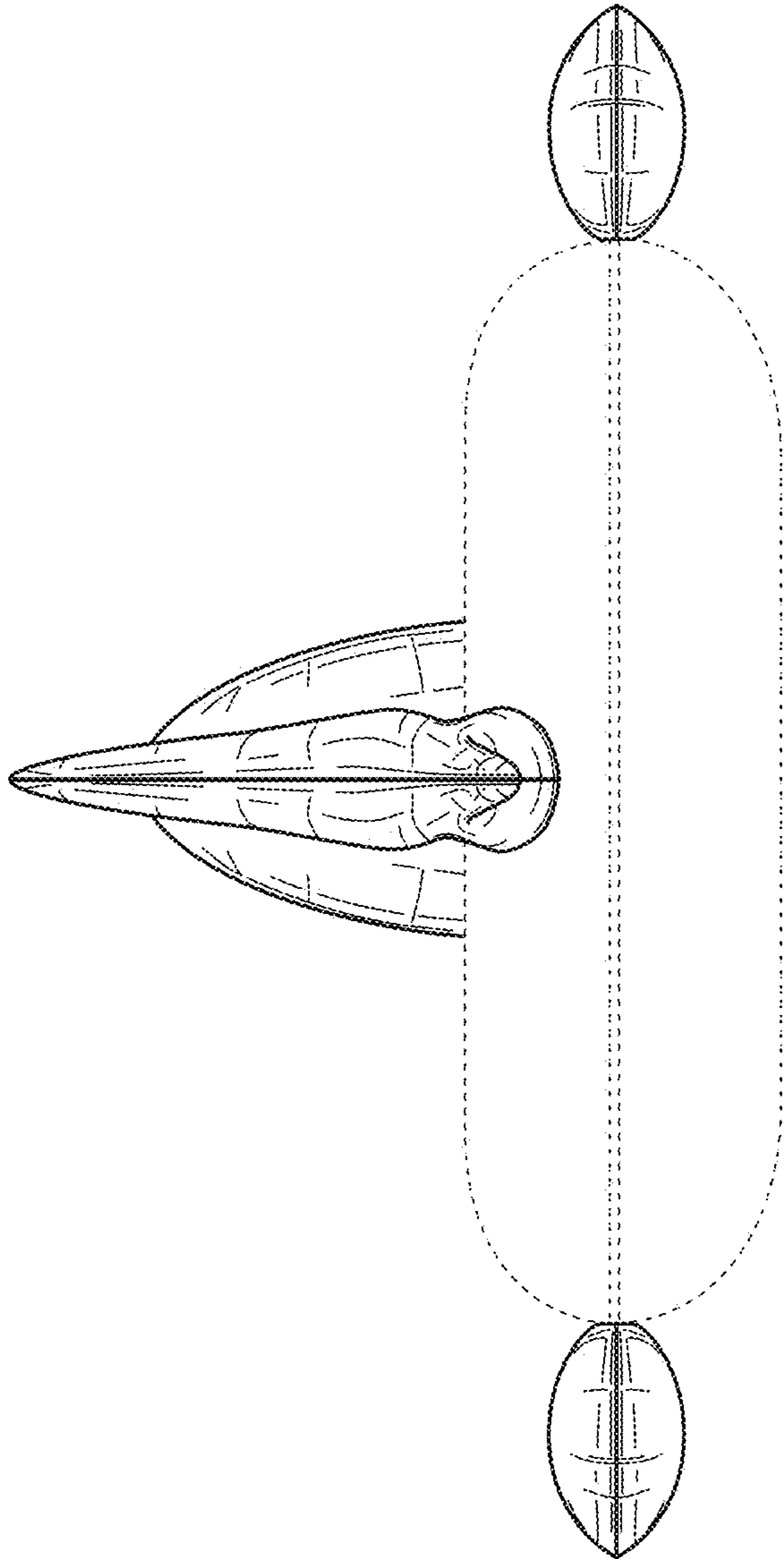


FIG. 8