



US00D882710S

(12) **United States Design Patent**
Hunter

(10) **Patent No.:** **US D882,710 S**

(45) **Date of Patent:** **** Apr. 28, 2020**

(54) **WATER RIDE VEHICLE**
(71) Applicant: **ProSlide Technology Inc.**, Ottawa (CA)
(72) Inventor: **Richard D. Hunter**, Ottawa (CA)
(73) Assignee: **PROSLIDE TECHNOLOGY INC.**,
Ottawa (CA)

D505,988 S * 6/2005 Peterson D21/803
D635,213 S * 3/2011 Hunter D21/769
D864,330 S * 10/2019 Dufault D21/803

* cited by examiner

Primary Examiner — Zenia I Bennett

(74) *Attorney, Agent, or Firm* — Finnegan, Henderson,
Farabow, Garrett & Dunner, L.L.P.

(**) Term: **15 Years**

(57) **CLAIM**

(21) Appl. No.: **29/670,804**

The ornamental design of a water ride vehicle, as shown and described.

(22) Filed: **Nov. 20, 2018**

DESCRIPTION

(30) **Foreign Application Priority Data**

May 22, 2018 (CA) 181512
Nov. 14, 2018 (CA) 184614

(51) **LOC (12) Cl.** **21-02**

(52) **U.S. Cl.**
USPC **D21/801**

(58) **Field of Classification Search**
USPC D21/769–770, 801, 803, 809; D12/5, 6,
D12/316; D6/392, 595, 596, 601, 604,
D6/605
CPC B63B 35/00; B63B 35/001; B63B 35/58;
B63B 35/73; B63B 35/78
See application file for complete search history.

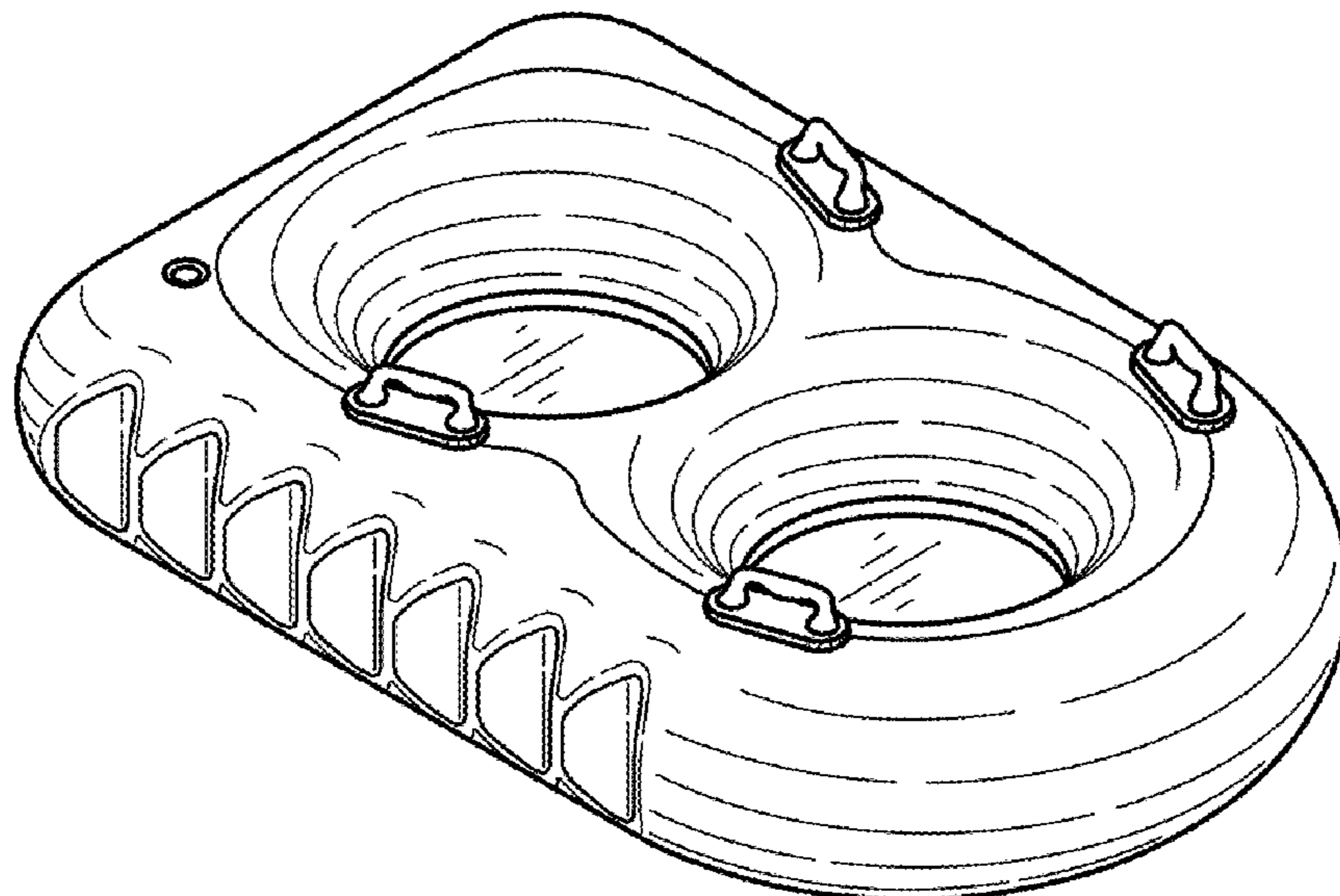
FIG. 1 is a perspective view of a water ride vehicle showing an embodiment of my new design;
FIG. 2 is a top view thereof;
FIG. 3 is a bottom view thereof;
FIG. 4 is a left side view thereof;
FIG. 5 is a right side view thereof;
FIG. 6 is a front view thereof;
FIG. 7 is a rear view thereof;
FIG. 8 is a perspective view of a water ride vehicle showing another embodiment of my new design;
FIG. 9 is a top view thereof;
FIG. 10 is a bottom view thereof;
FIG. 11 is a left side view thereof;
FIG. 12 is a right side view thereof;
FIG. 13 is a front view thereof;
FIG. 14 is a rear view thereof;
FIG. 15 is a perspective view of a water ride vehicle showing another embodiment of my new design;
FIG. 16 is a top view thereof;
FIG. 17 is a bottom view thereof;
FIG. 18 is a left side view thereof;
FIG. 19 is a right side view thereof;
FIG. 20 is a front view thereof; and,
FIG. 21 is the rear view thereof.

(56) **References Cited**

U.S. PATENT DOCUMENTS

D290,152 S * 6/1987 Wolfe D21/597
D322,301 S * 12/1991 Harris D12/316
5,122,086 A * 6/1992 Remy B63B 35/811
114/345
5,304,082 A * 4/1994 Wolfe B63B 35/76
114/345
D496,087 S * 9/2004 Peterson D21/803
D496,975 S * 10/2004 Peterson D21/770
D500,826 S * 1/2005 Peterson D21/769

1 Claim, 9 Drawing Sheets



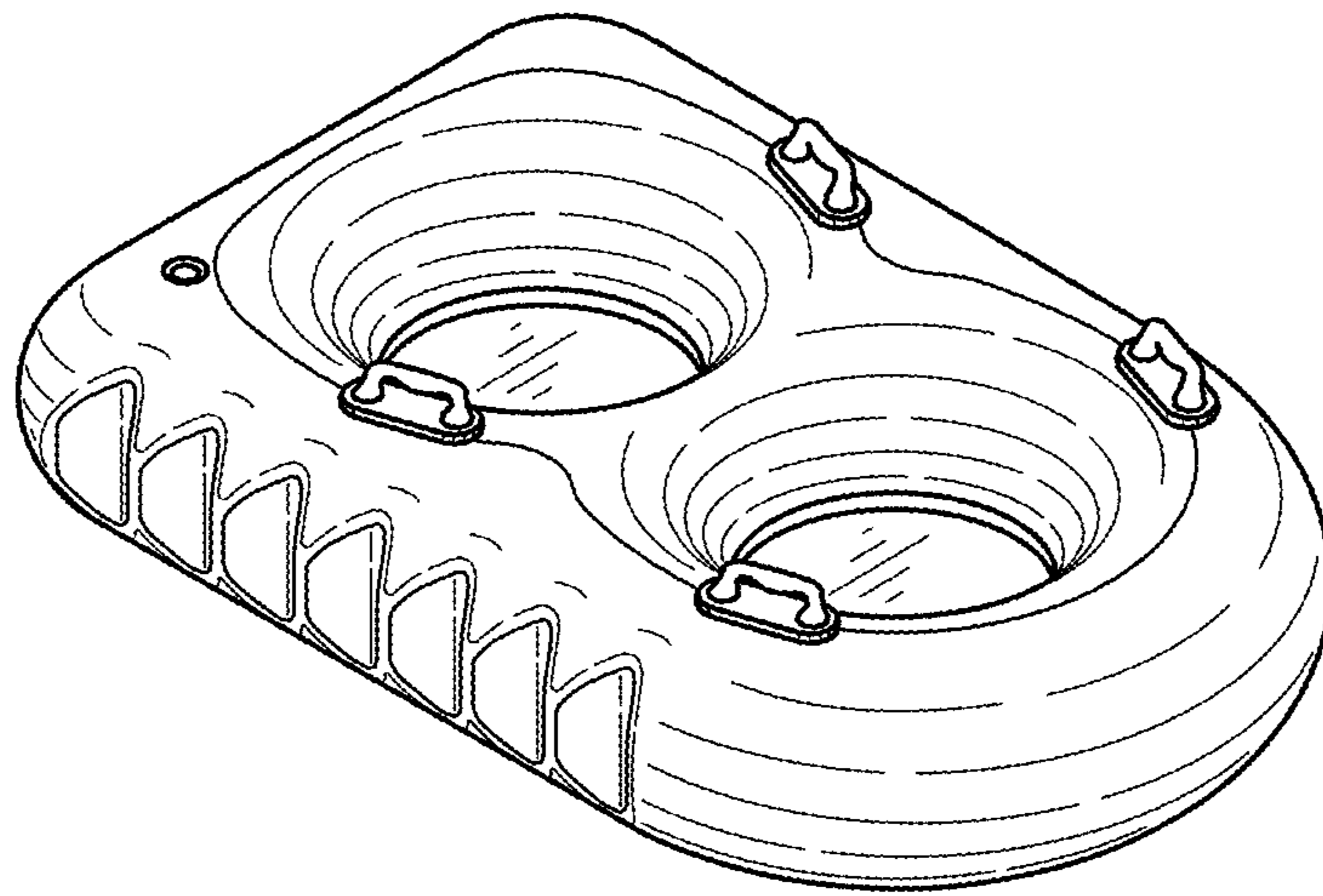


FIG. 1

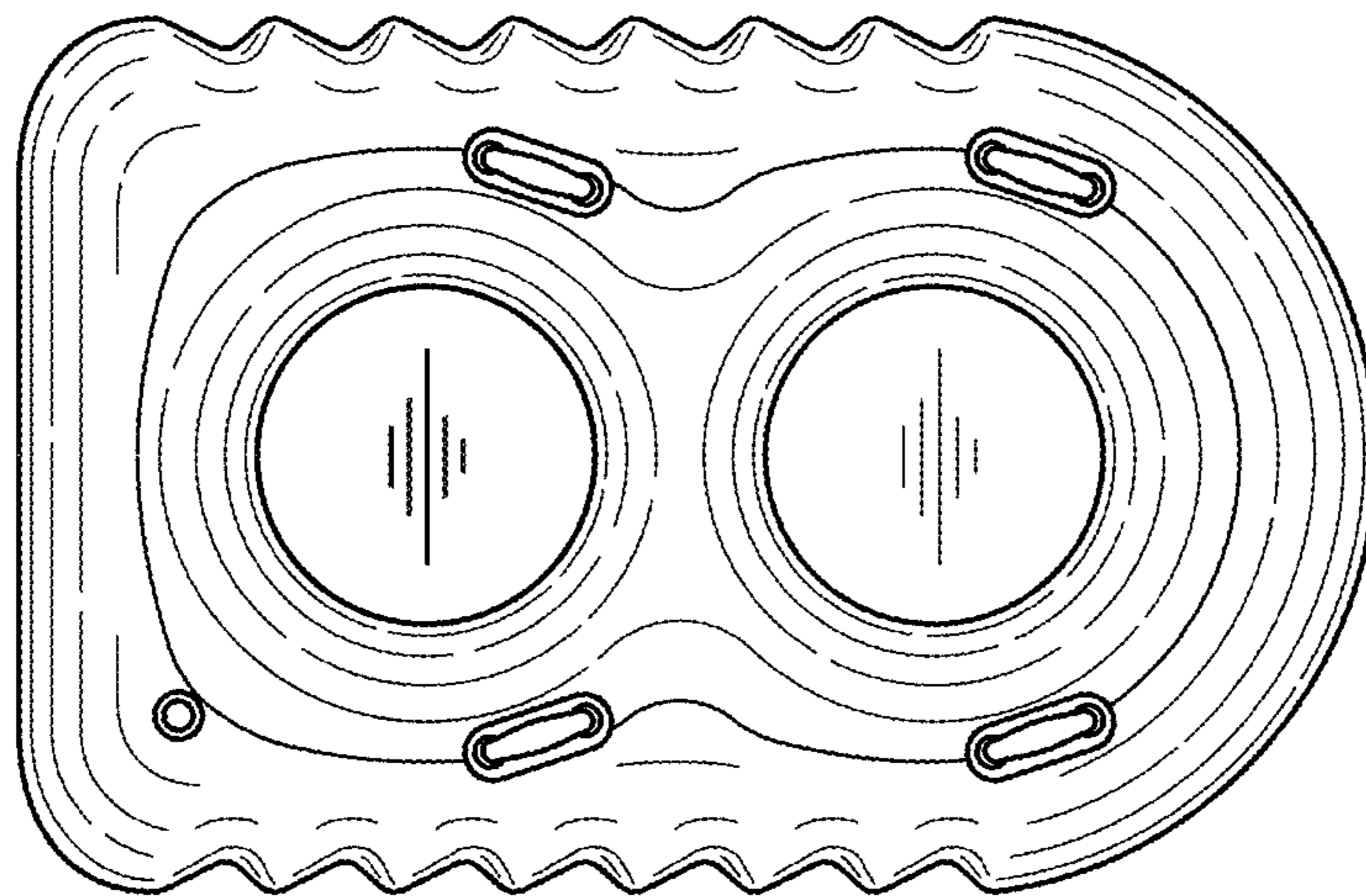


FIG. 2

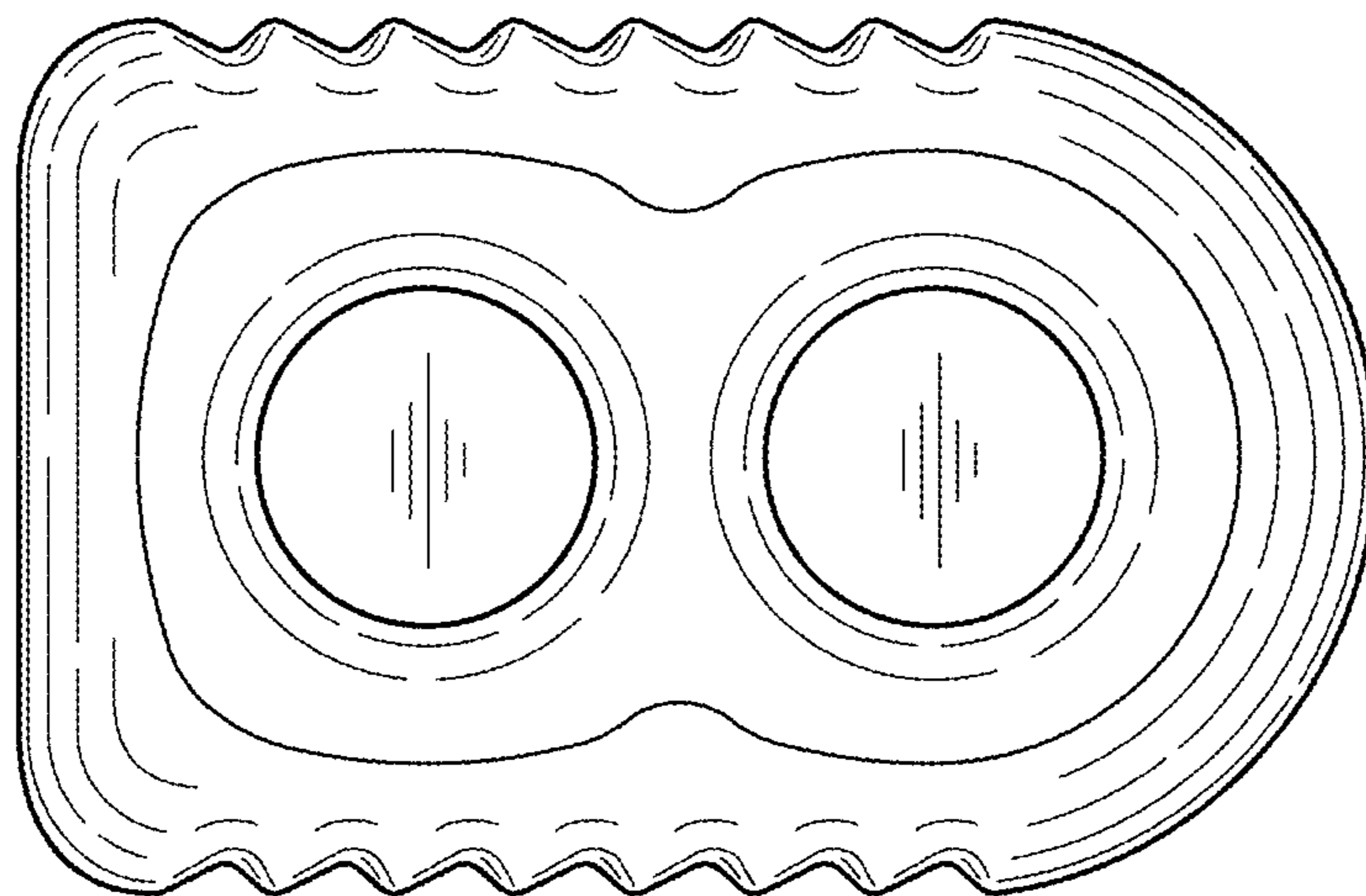


FIG. 3

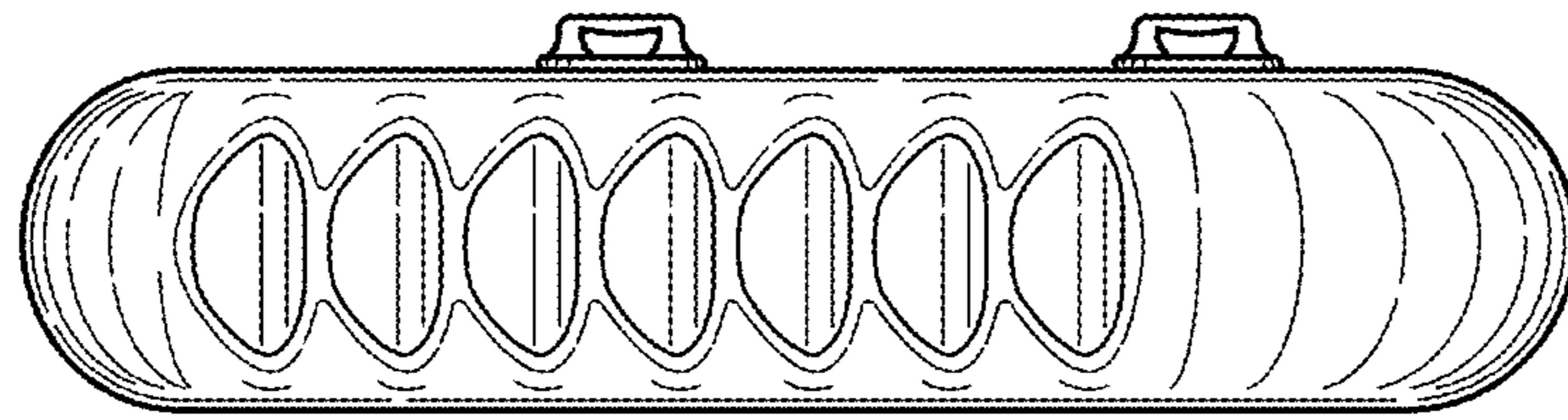


FIG. 4

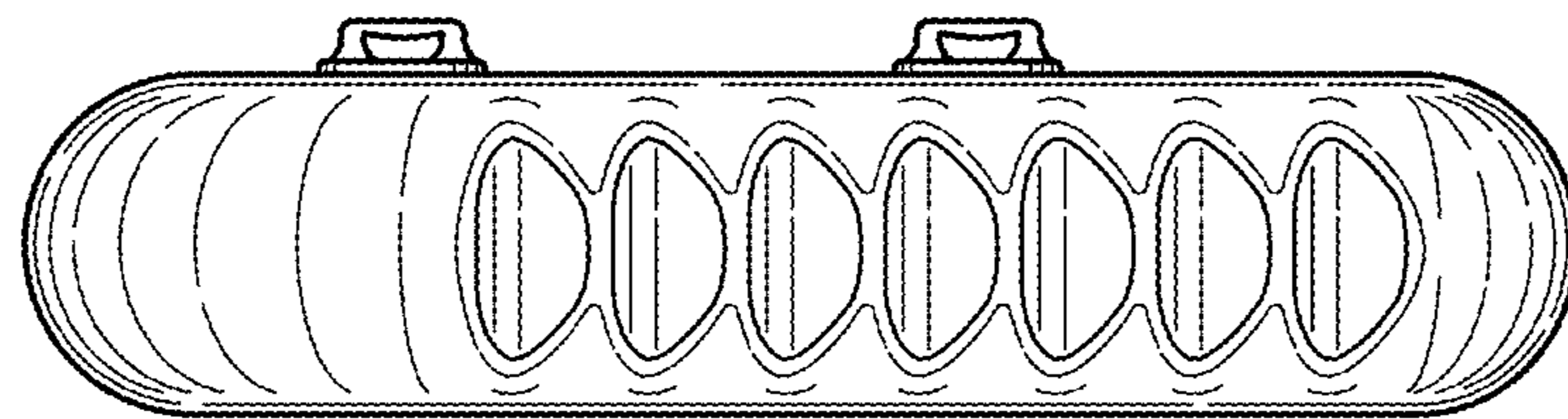


FIG. 5

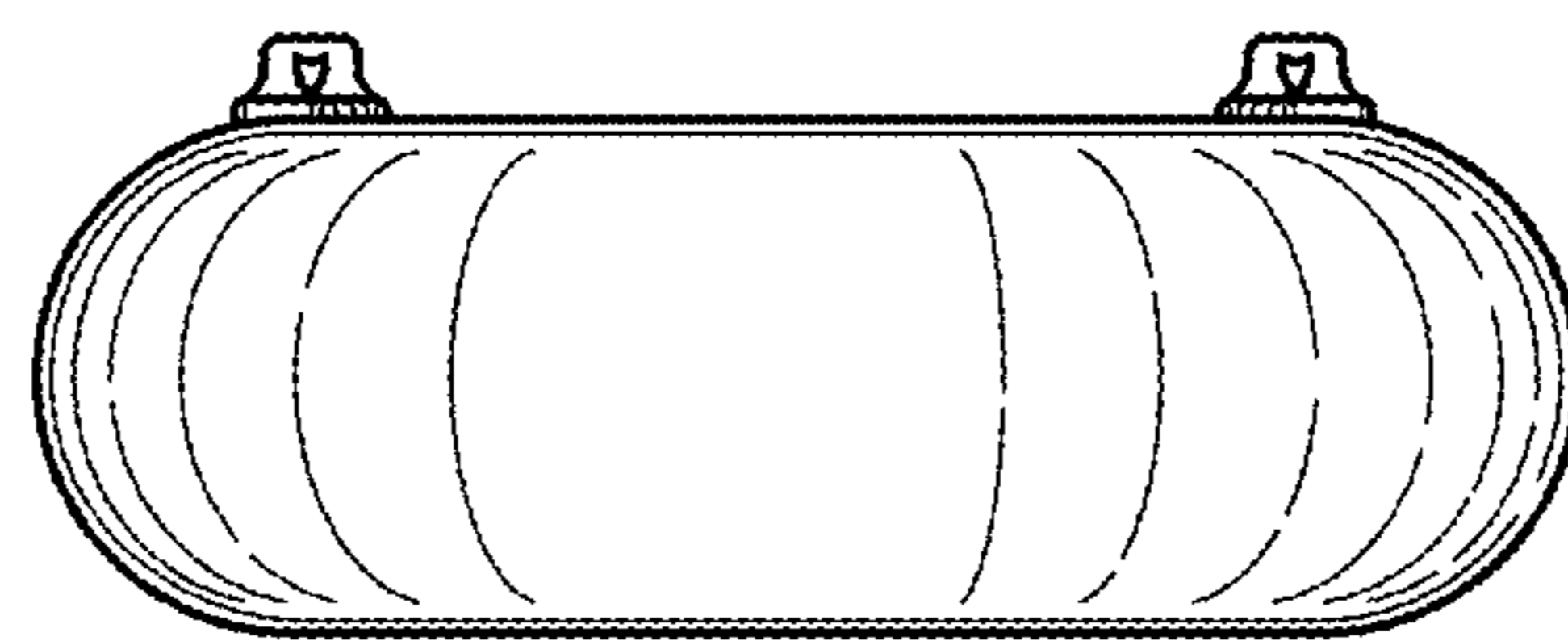


FIG. 6

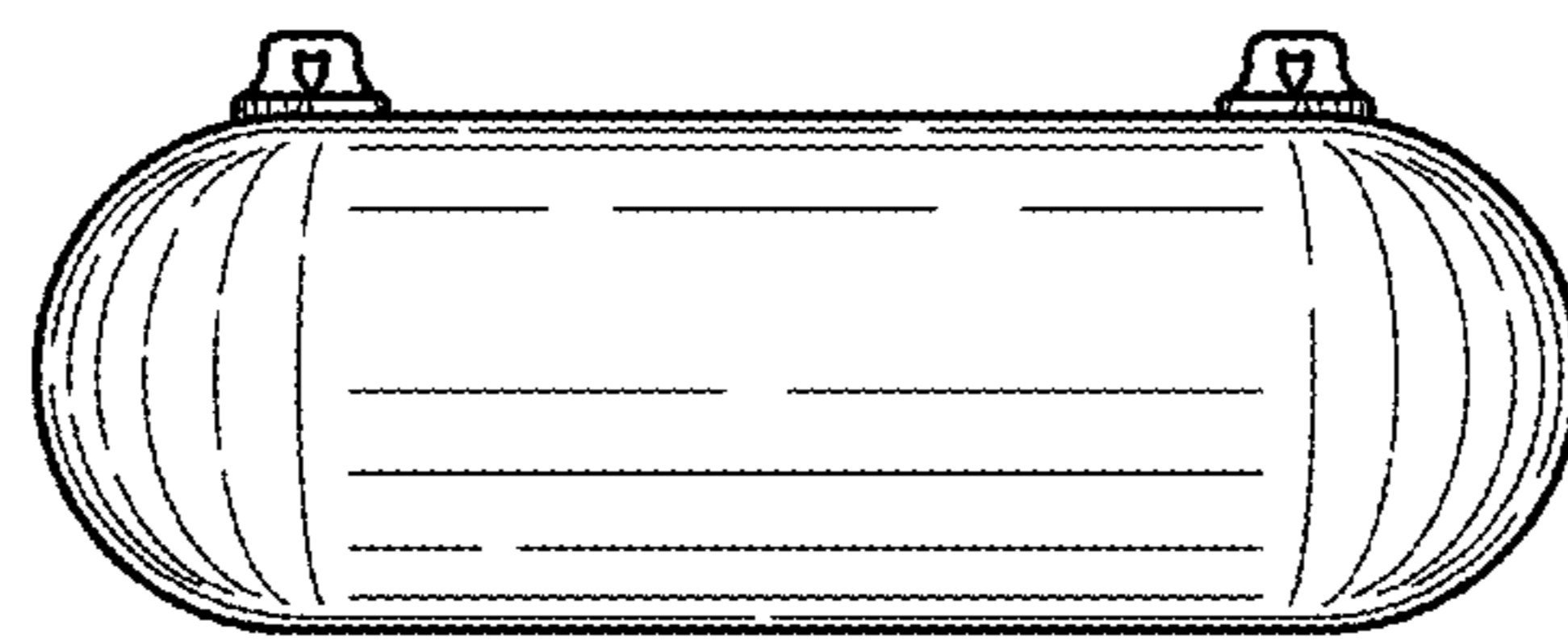


FIG. 7

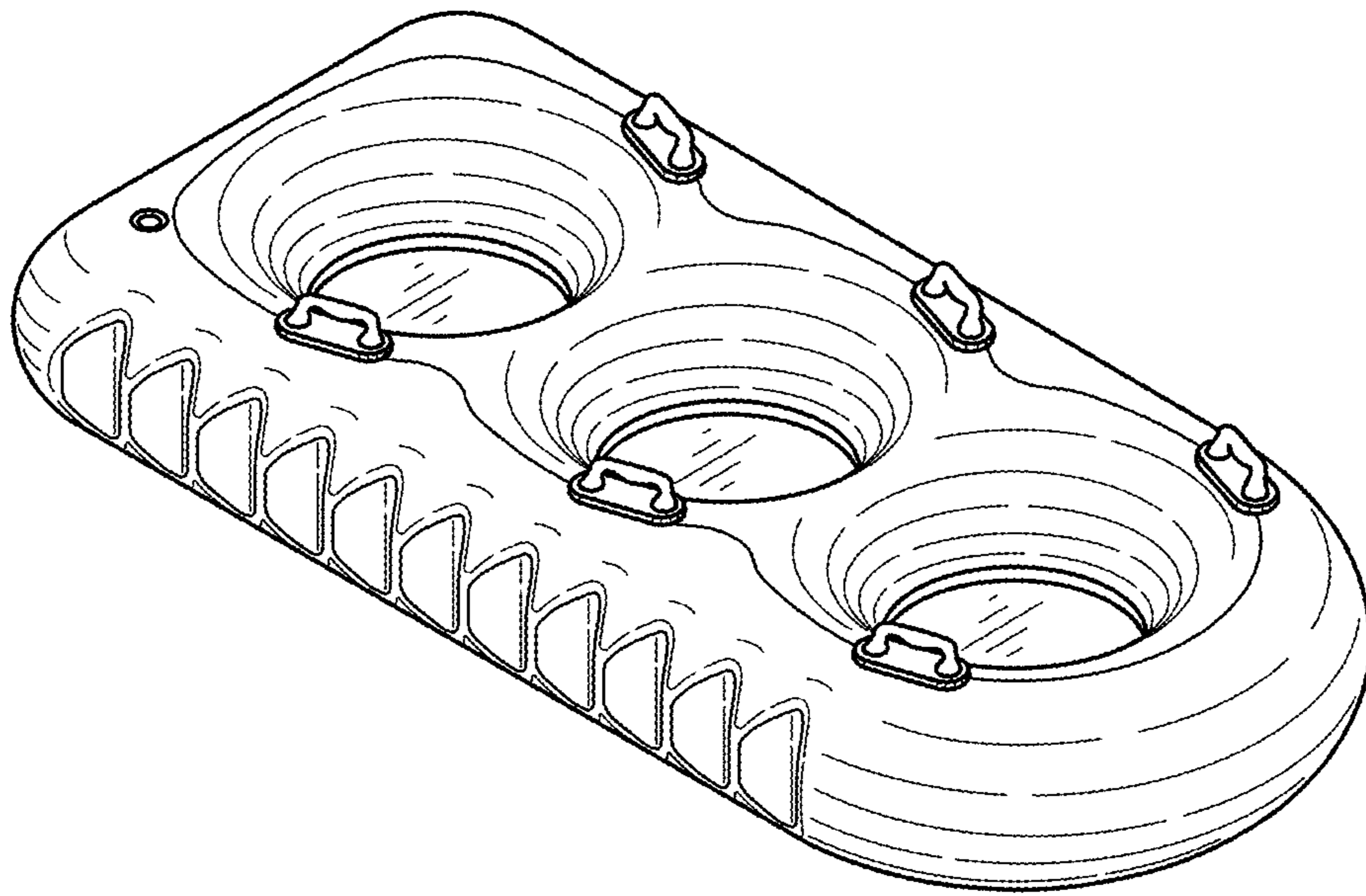


FIG. 8

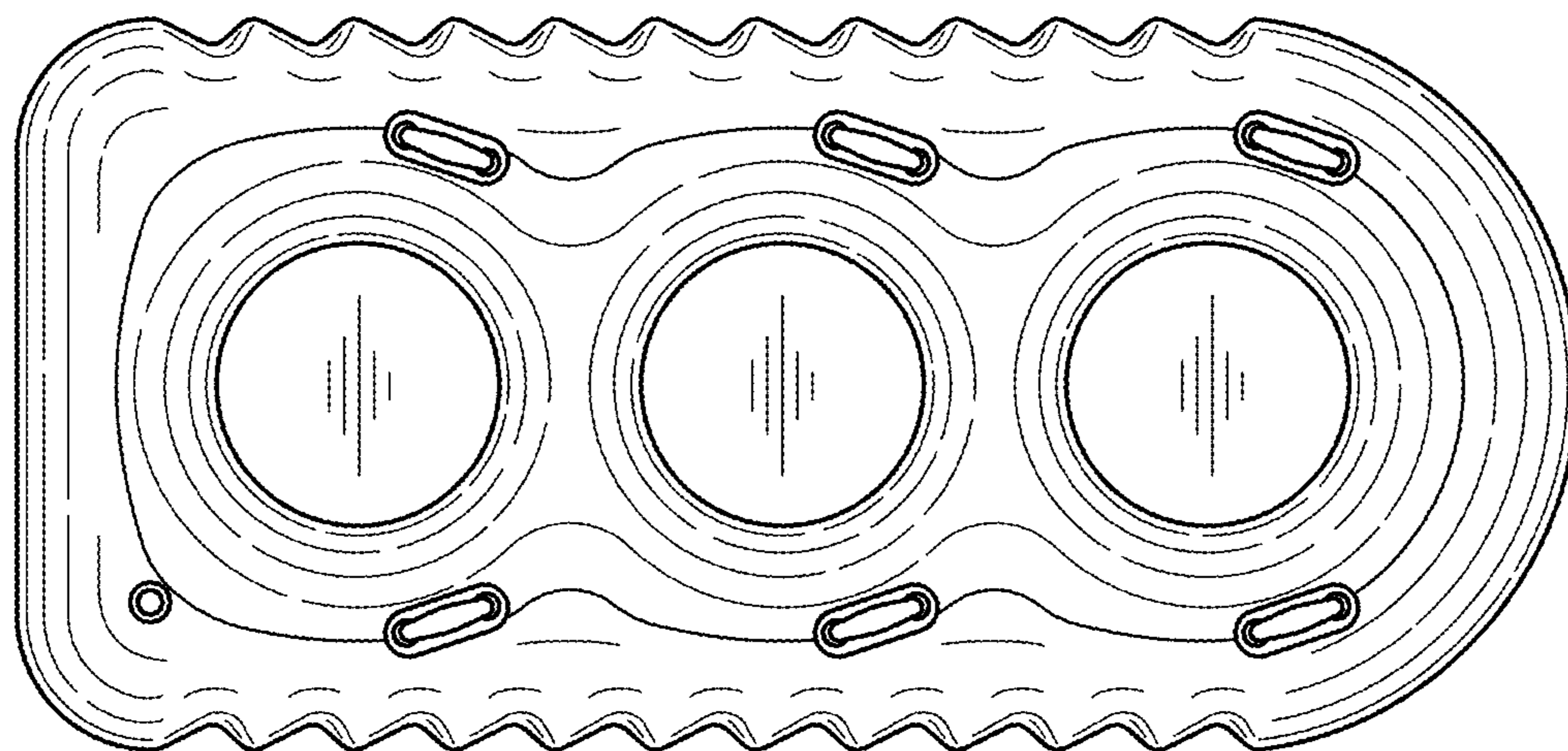


FIG. 9

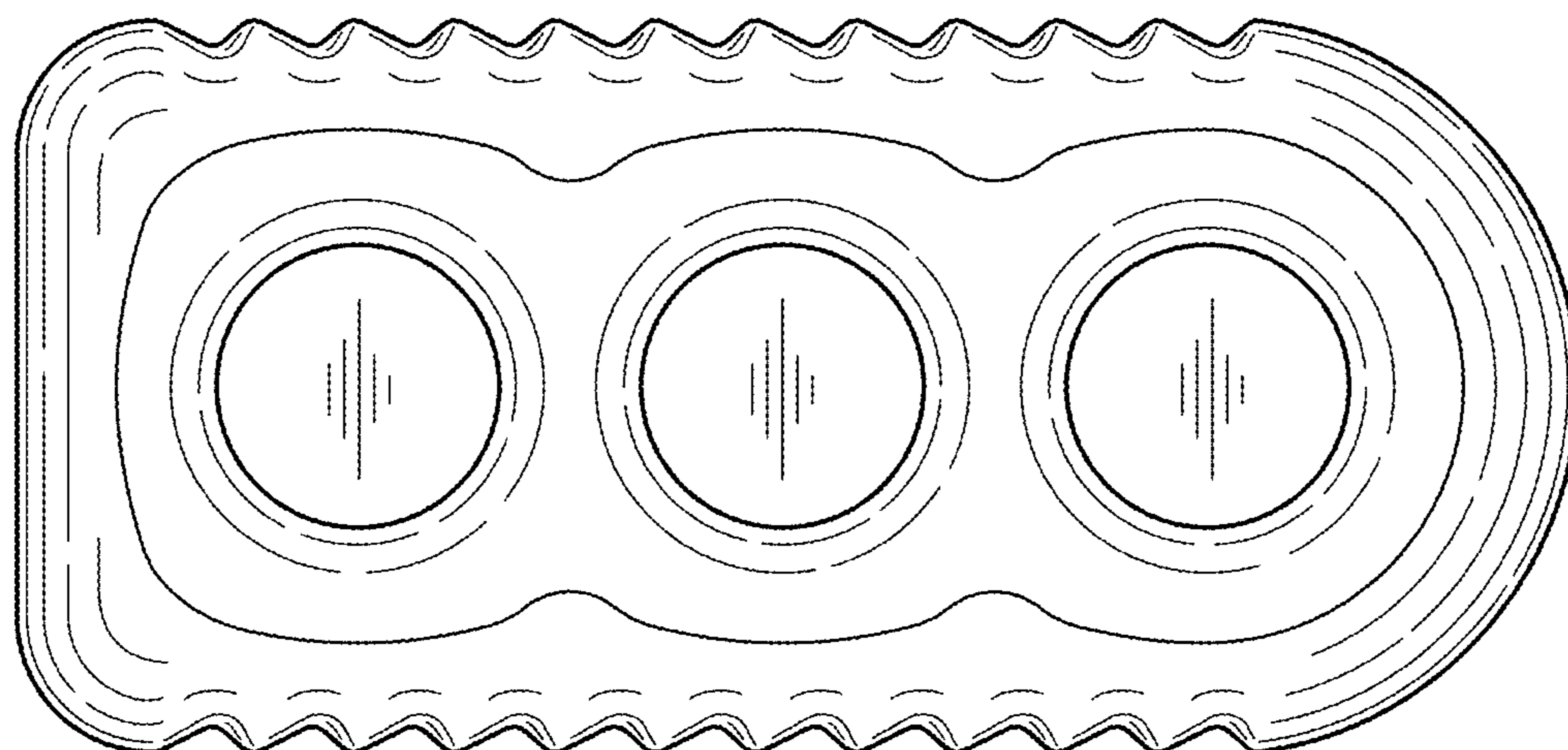


FIG. 10

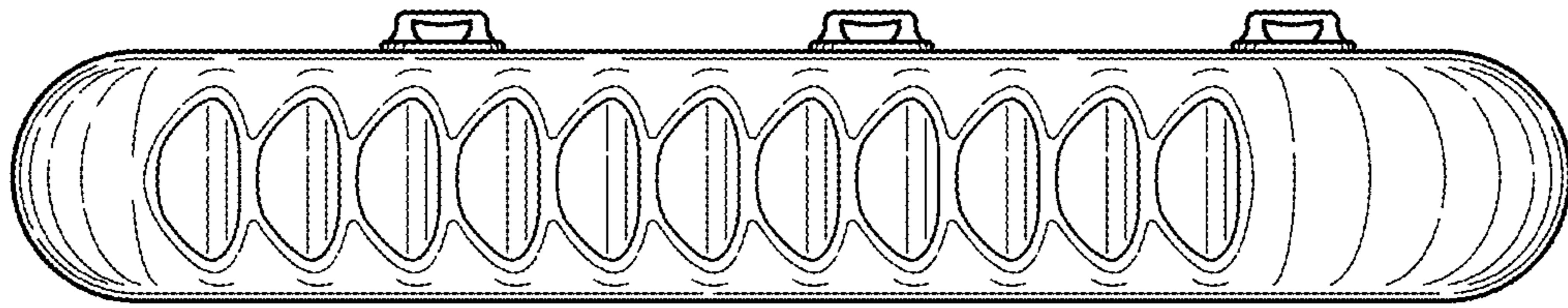


FIG. 11

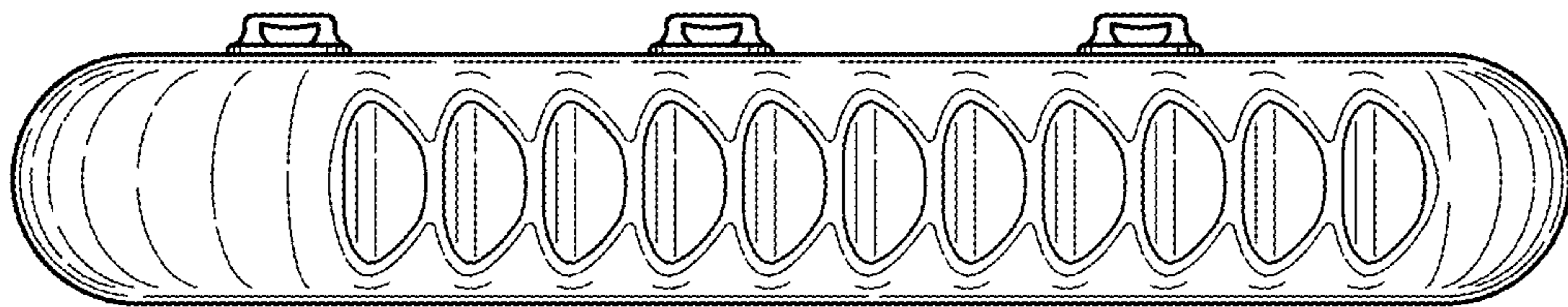


FIG. 12

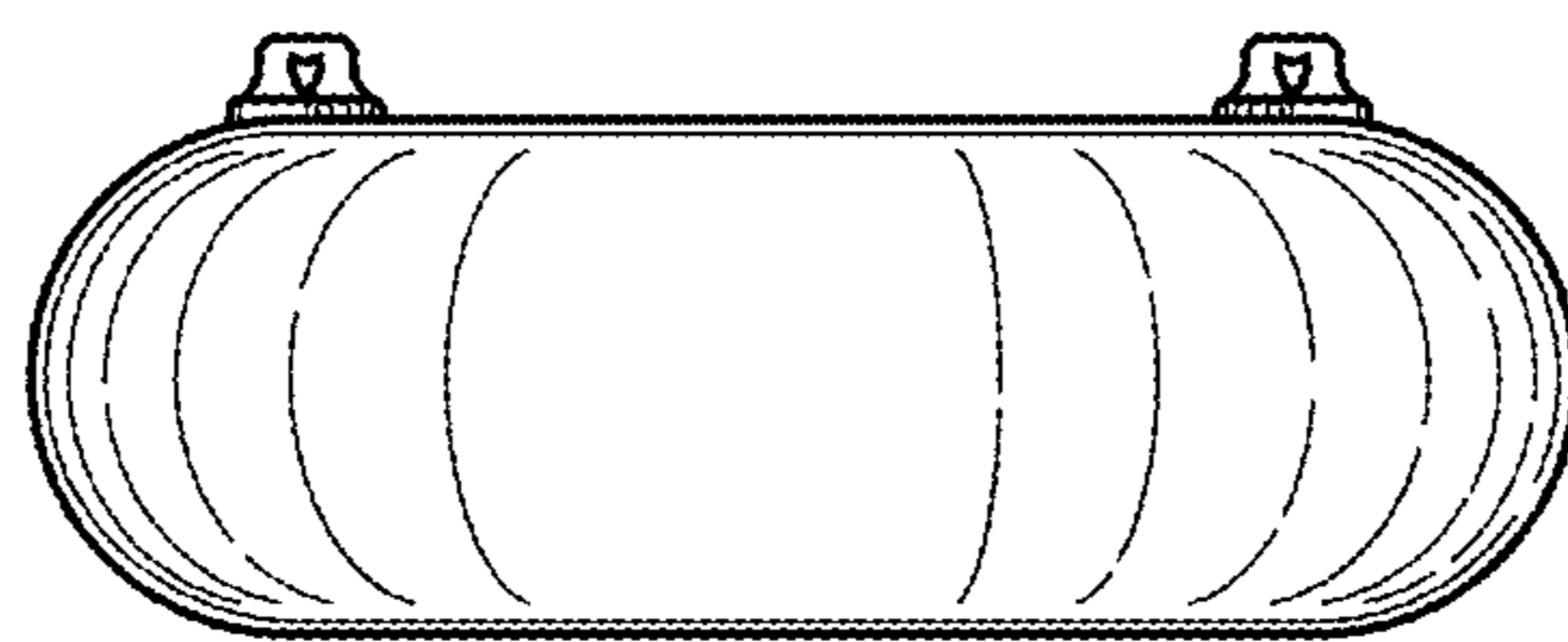


FIG. 13

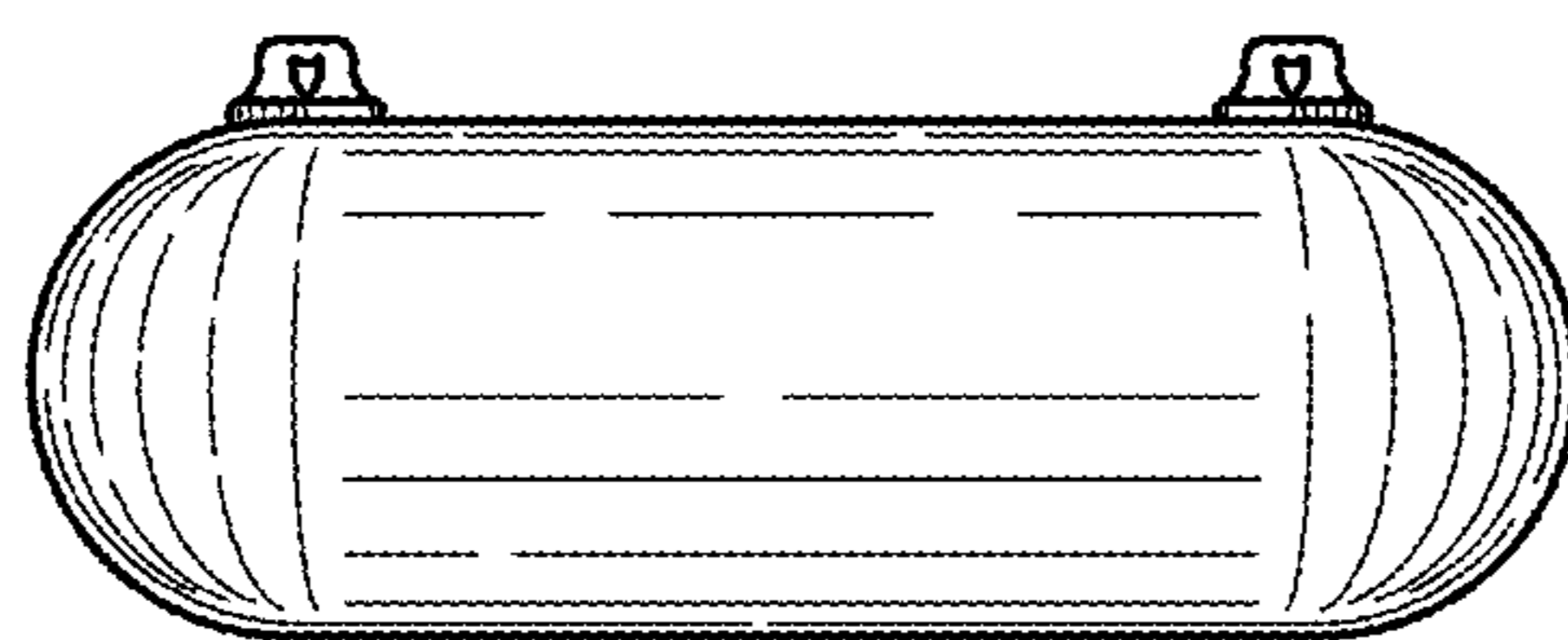


FIG. 14

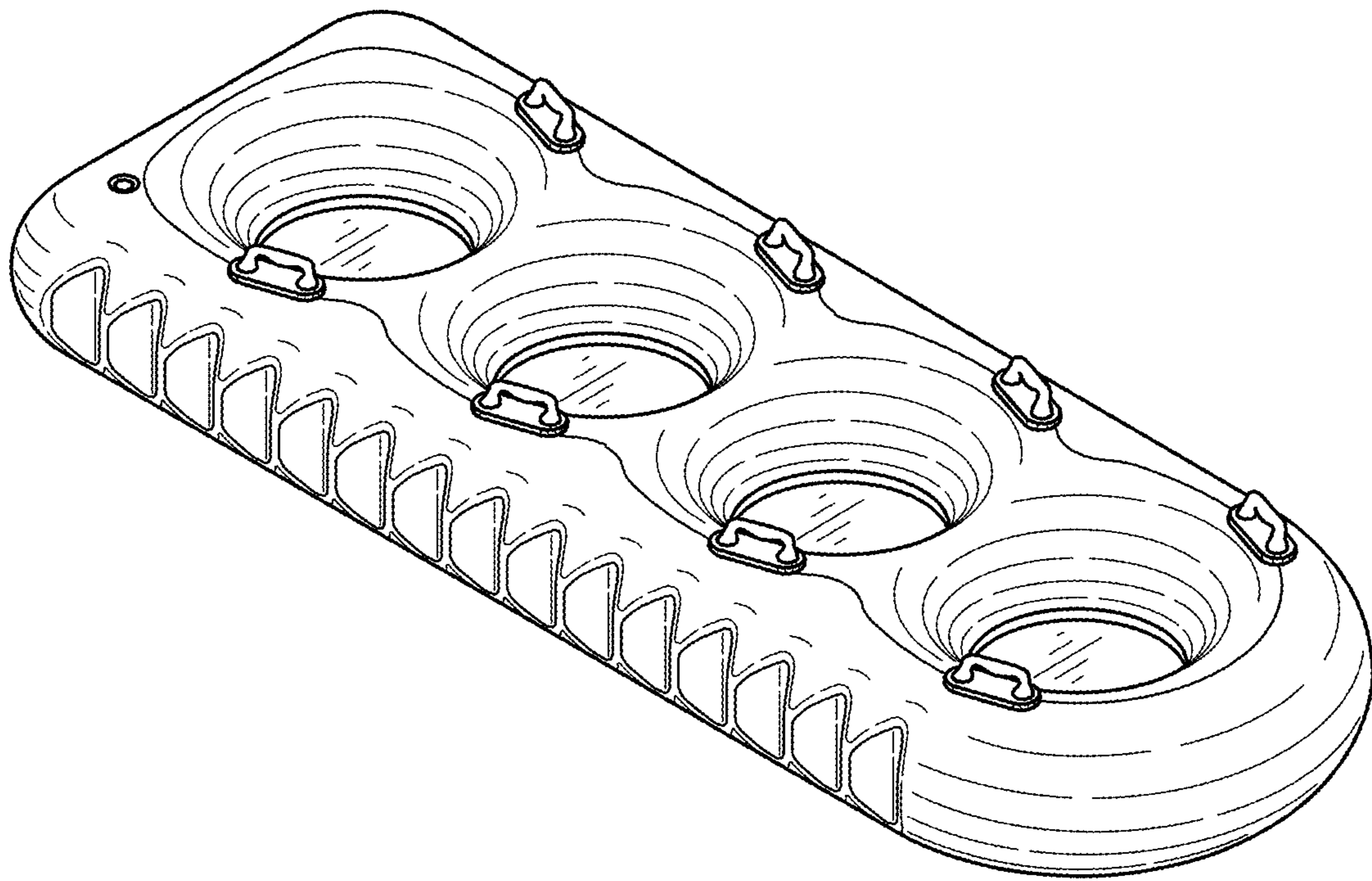


FIG. 15

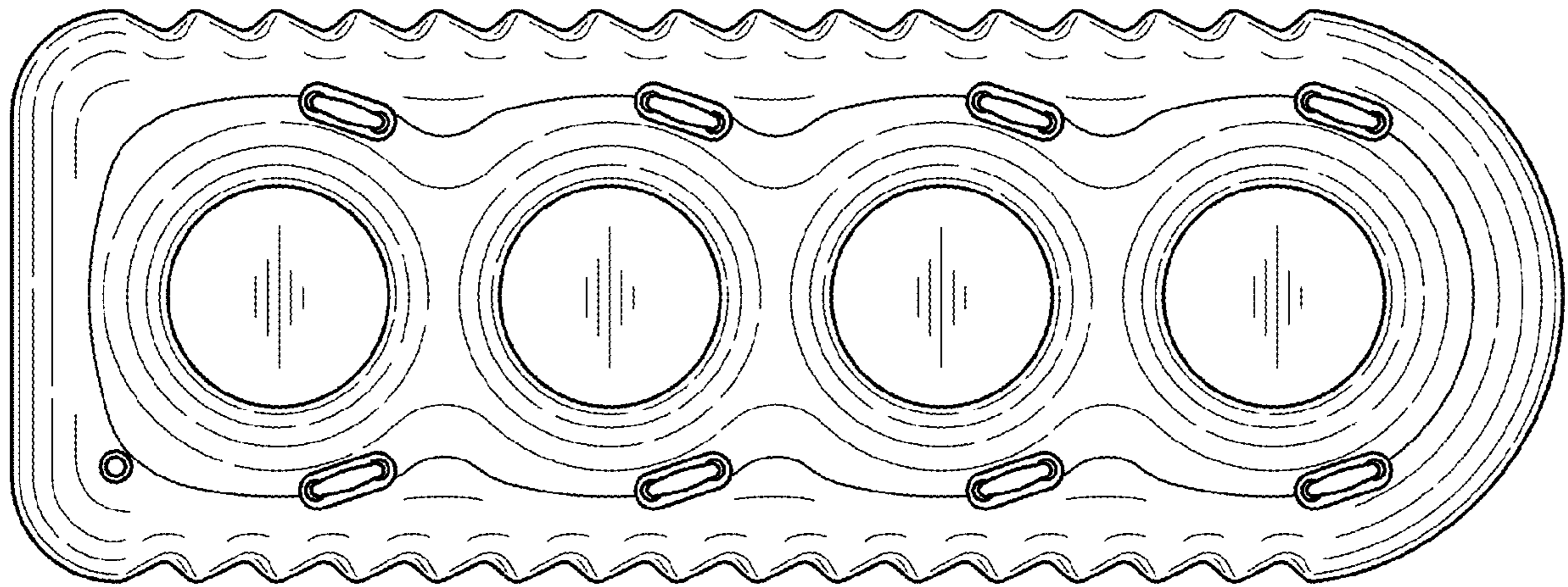


FIG. 16

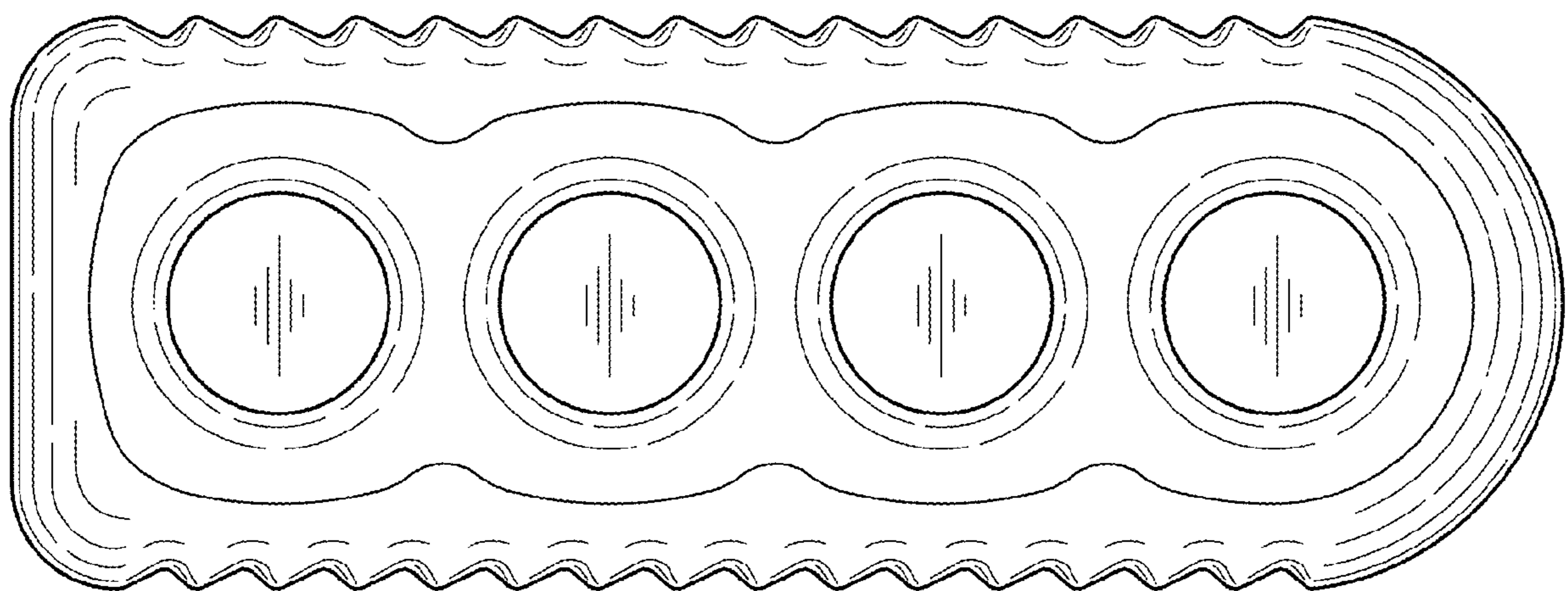


FIG. 17

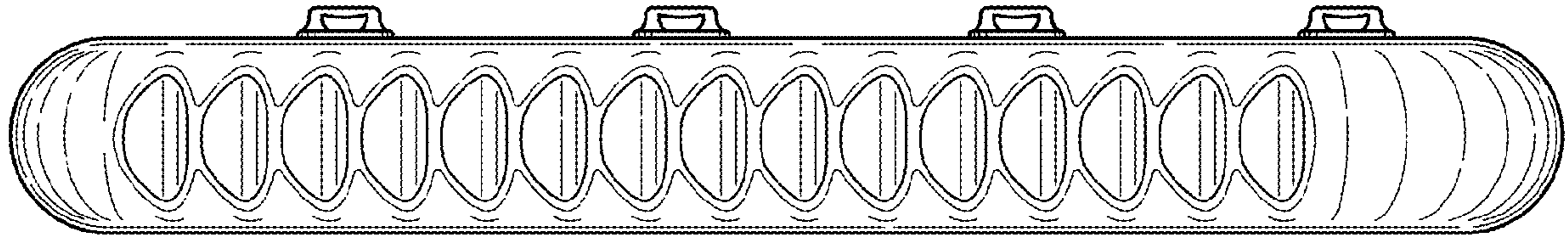


FIG. 18

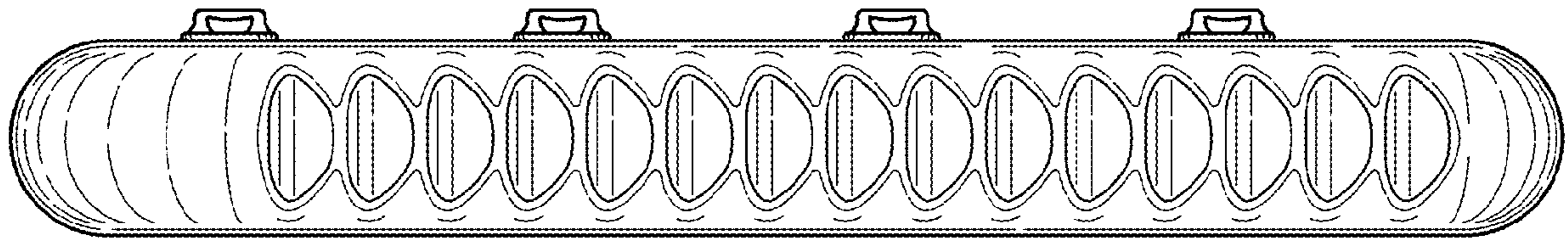


FIG. 19

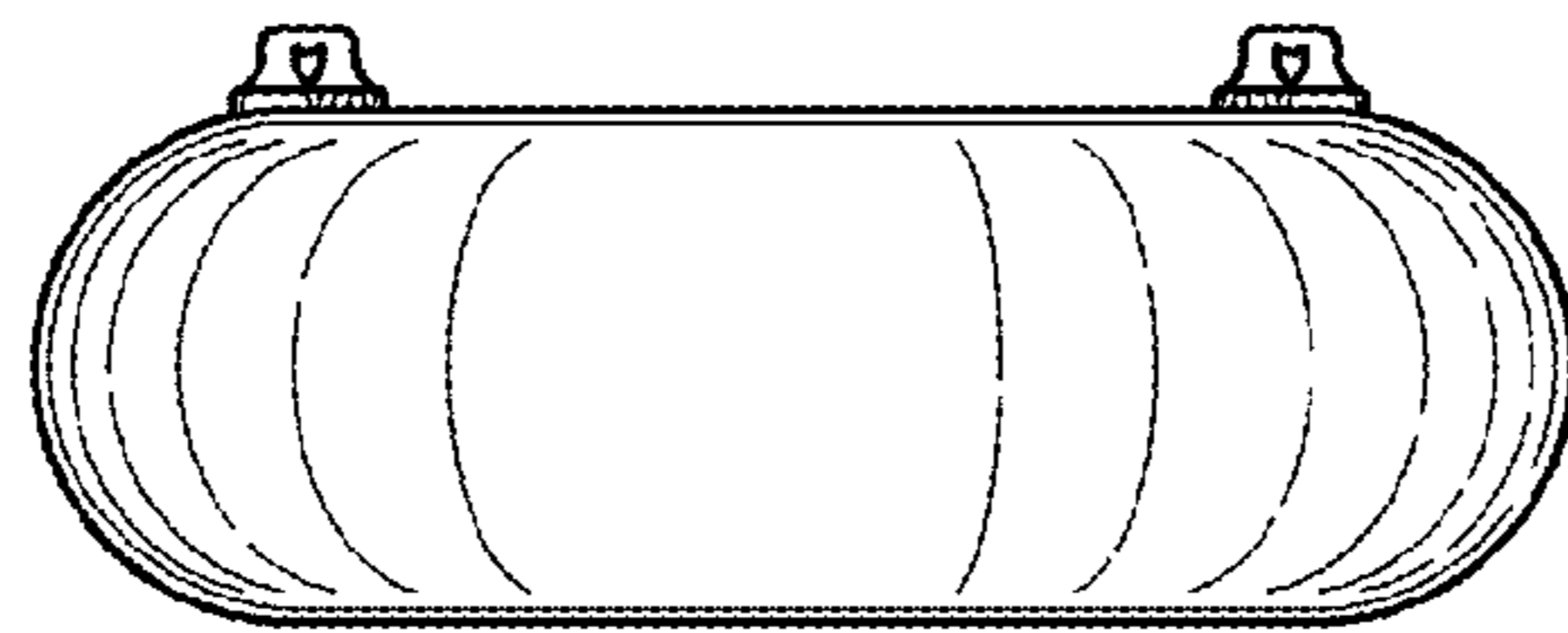


FIG. 20

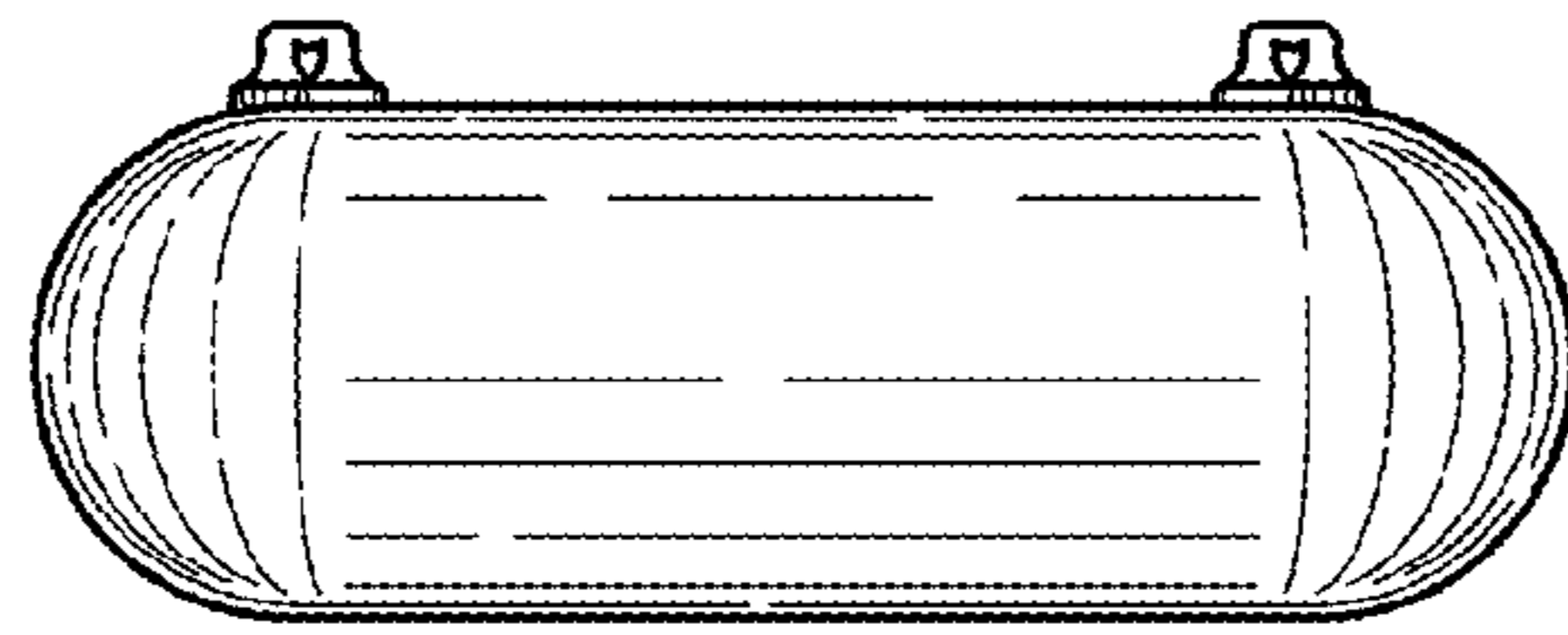


FIG. 21