



US00D882709S

(12) **United States Design Patent**
Mickley

(10) **Patent No.:** **US D882,709 S**
(45) **Date of Patent:** **** Apr. 28, 2020**

- (54) **GOLF BALL TEEING DEVICE**
- (71) Applicants: **Robert F. Mickley**, Keego Harbor, MI (US); **Una Christine Jackman**, Bloomfield Hills, MI (US)
- (72) Inventor: **Robert F. Mickley**, Keego Harbor, MI (US)
- (73) Assignees: **Robert F. Mickley**, Keego Harbor, MI (US); **Una Christine Jackman**, Bloomfield Hills, MI (US)
- (**) Term: **15 Years**
- (21) Appl. No.: **29/667,264**
- (22) Filed: **Oct. 19, 2018**
- (51) **LOC (12) Cl.** **21-02**
- (52) **U.S. Cl.**
USPC **D21/789**; D21/715; D21/721; D21/796
- (58) **Field of Classification Search**
USPC D21/715-721, 789-796; 473/132-134, 473/137, 282-286, 417, 503, 569; 294/19.2
CPC A63B 47/00; A63B 47/002; A63B 47/02; A63B 57/00; A63B 57/0006; A63B 57/0037; A63B 57/20; A63B 57/203
See application file for complete search history.

- 5,759,117 A * 6/1998 Erickson, Jr. A63B 57/0037 473/386
 - 5,884,881 A * 3/1999 Band A45B 1/04 211/70.2
 - D434,460 S * 11/2000 Carter D21/718
- (Continued)

FOREIGN PATENT DOCUMENTS

JP H10-305119 A 11/1998

OTHER PUBLICATIONS

Web site, <https://rangefrog.com/>, "Range Frog Golf—The Future of Practice Golf", 2 screen shot pages, (publication date unknown).

Primary Examiner — Catherine A Tuttle
(74) *Attorney, Agent, or Firm* — Harness, Dickey & Pierce, P.L.C.

(57) **CLAIM**

The ornamental design for a golf ball teeing device, as shown and described.

DESCRIPTION

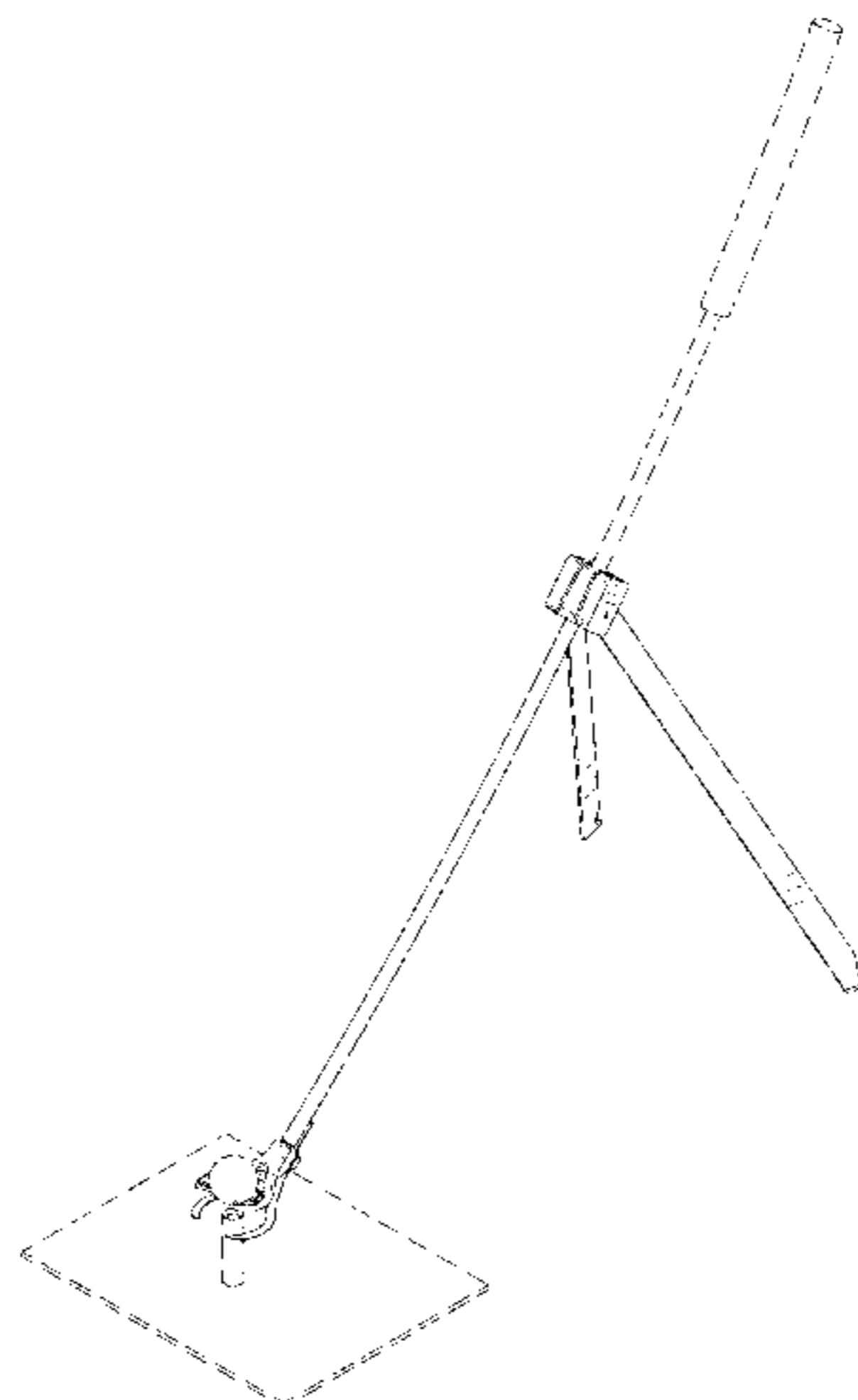
FIG. 1 is a perspective view of a golf ball teeing device embodying my new design, showing the design in use for teeing a golf ball;
FIG. 2 is a perspective view thereof shown without the environmental, in use disclosure in FIG. 1;
FIG. 3 is a rear perspective view thereof;
FIG. 4 is a front view thereof;
FIG. 5 is a rear view thereof;
FIG. 6 is a top view thereof;
FIG. 7 is a bottom view thereof; and,
FIG. 8 is a right side view thereof.
The broken lines depicting portions of the golf ball teeing device and its environment are for illustrative purposes only and form no part of the claimed invention.

1 Claim, 7 Drawing Sheets

(56) **References Cited**

U.S. PATENT DOCUMENTS

- D216,403 S * 12/1969 Terry D21/791
- 4,136,901 A * 1/1979 Walter A63B 47/02 294/19.2
- 4,616,826 A * 10/1986 Trefts A63B 57/0037 294/116
- D322,644 S * 12/1991 Murphy D21/721
- 5,335,953 A 8/1994 Luther, Sr.
- 5,413,329 A * 5/1995 Hirsch A63B 55/10 211/70.2
- 5,482,247 A * 1/1996 Smith A63B 69/3685 248/688
- D380,025 S * 6/1997 Digerness D21/721
- 5,692,968 A 12/1997 Shine



(56)

References Cited

U.S. PATENT DOCUMENTS

6,199,926	B1	3/2001	Lemoine	
6,283,875	B1 *	9/2001	Jones	A63B 55/10 211/70.2
6,817,955	B2	11/2004	O'Donnell et al.	
7,351,156	B1	4/2008	Panneri et al.	
7,677,994	B2	3/2010	Matsumoto et al.	
7,951,014	B2	5/2011	Nickel	
7,963,854	B2 *	6/2011	Nugent	A63B 55/20 221/194
D641,822	S *	7/2011	Corbin	D21/796
8,529,379	B1 *	9/2013	Faircloth	A63B 47/02 294/19.2
D779,605	S *	2/2017	Urioste	D21/721
10,213,657	B1 *	2/2019	Klevana	A63B 47/02
2002/0082107	A1 *	6/2002	Imahata	A63B 57/0006 473/282
2005/0170904	A1	8/2005	Smeeth	
2006/0058109	A1 *	3/2006	Wilson, III	A63B 47/02 473/286
2009/0318241	A1 *	12/2009	Quinn	A63B 47/02 473/286
2010/0087265	A1	4/2010	Rolando	
2010/0190563	A1 *	7/2010	Smith	A63B 57/0006 473/137
2012/0115629	A1 *	5/2012	McDowell	A63B 55/10 473/286
2014/0031137	A1 *	1/2014	Basile	A63B 71/0009 473/229

* cited by examiner

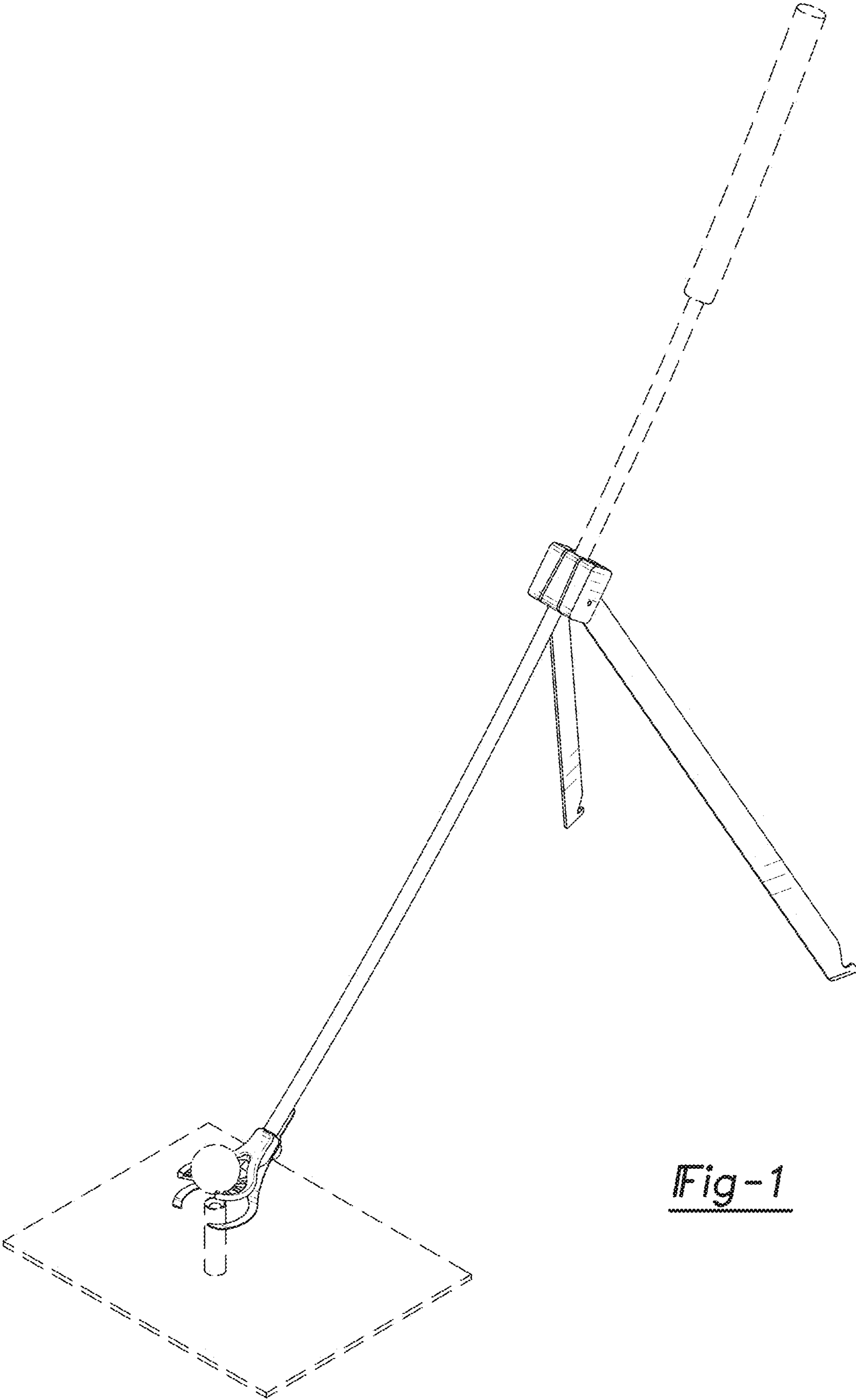


Fig-1

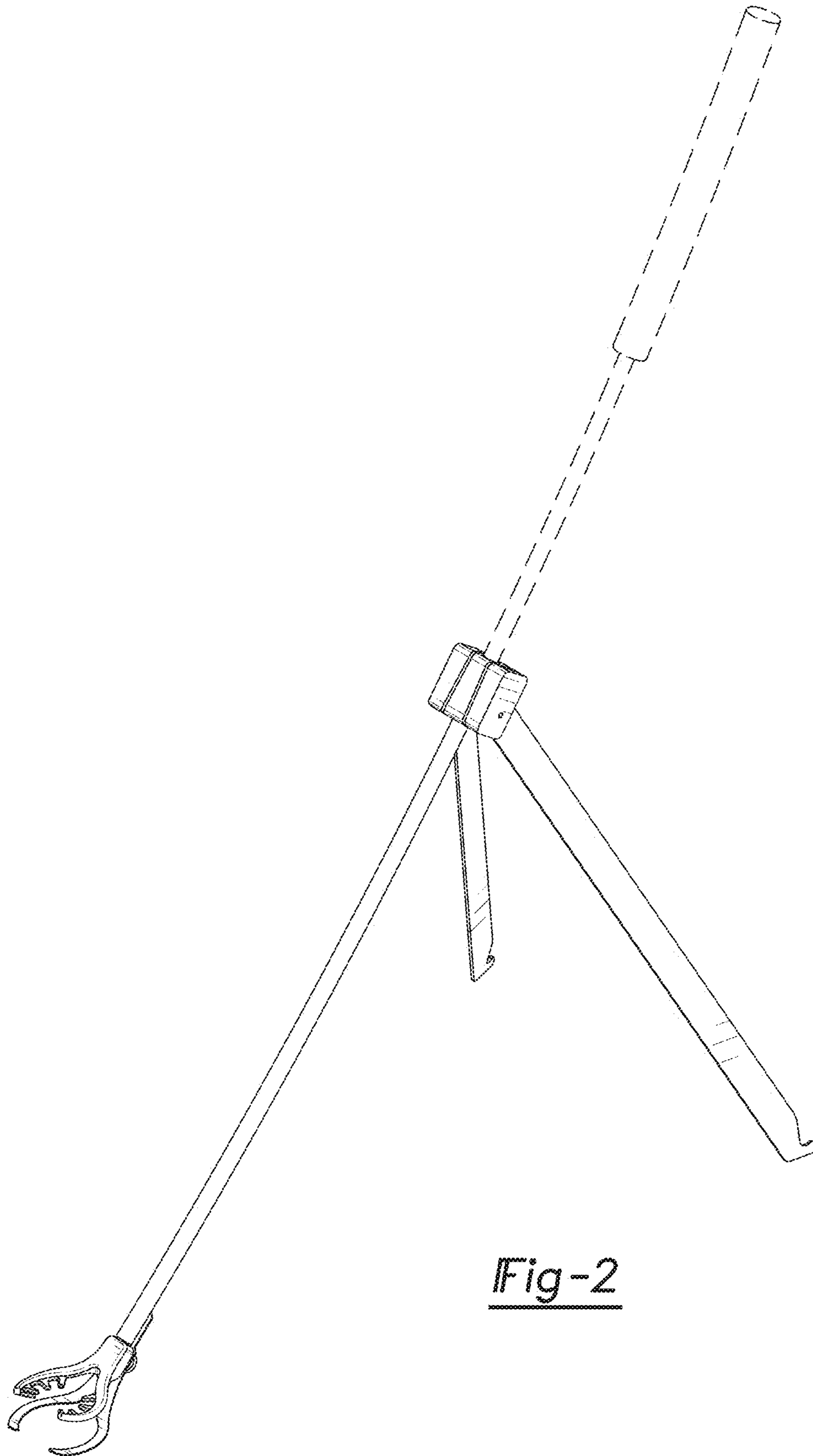


Fig-2

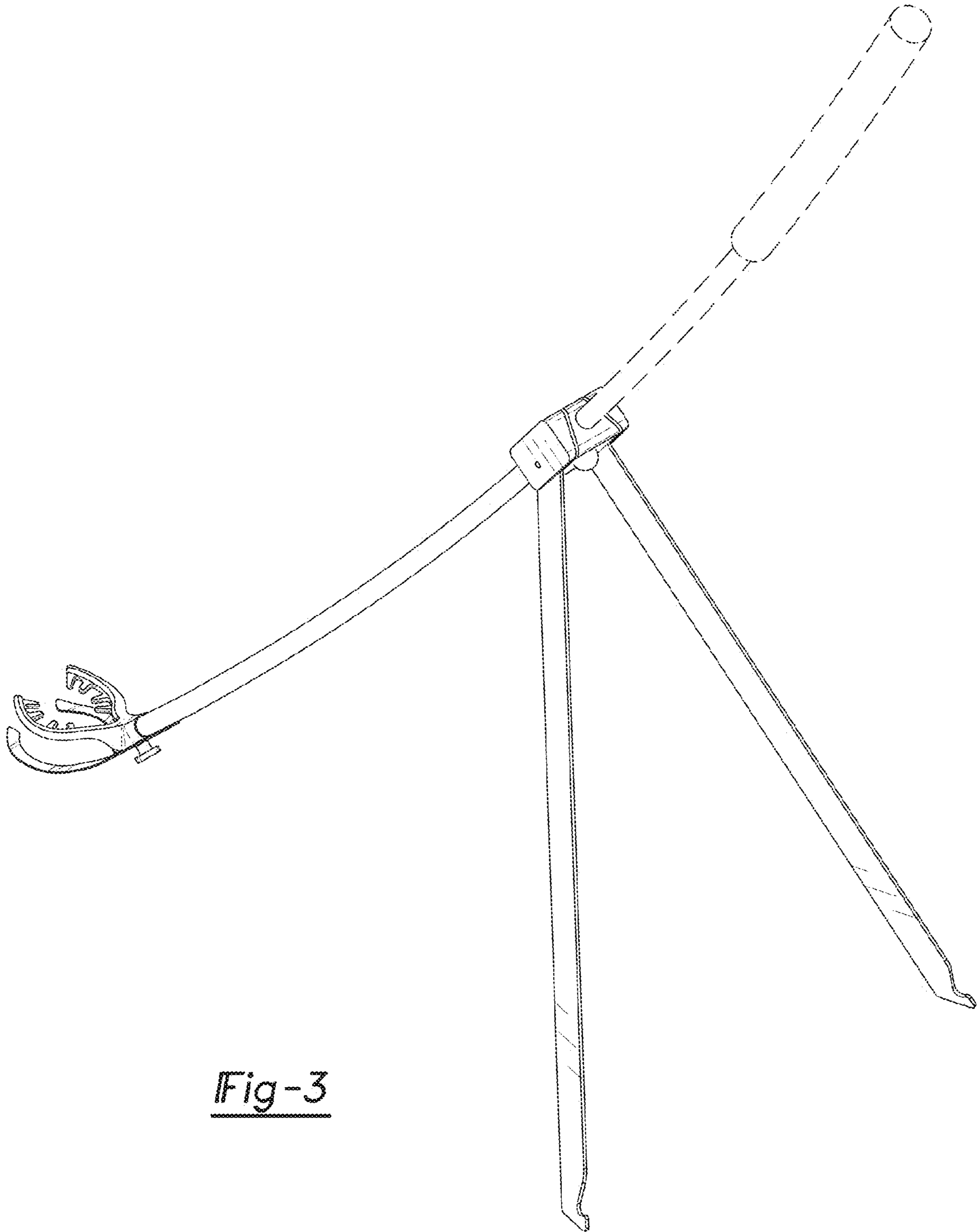


Fig-3

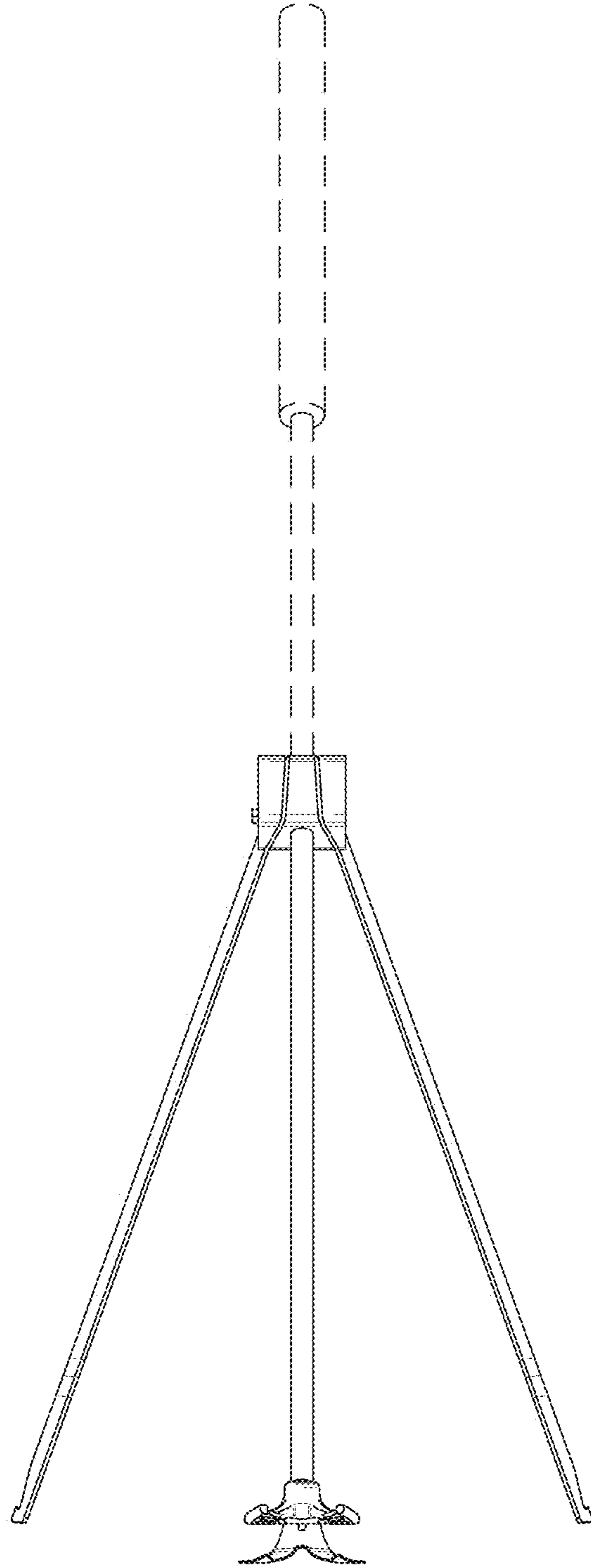


Fig-4

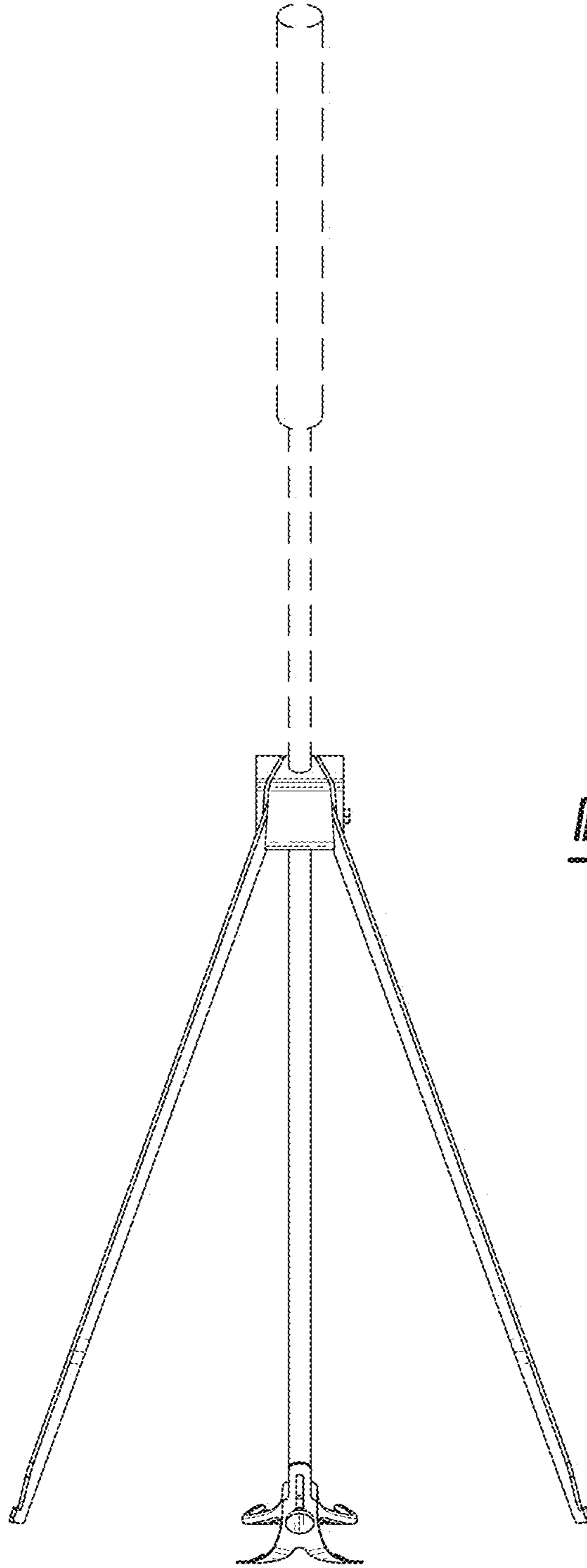


Fig-5

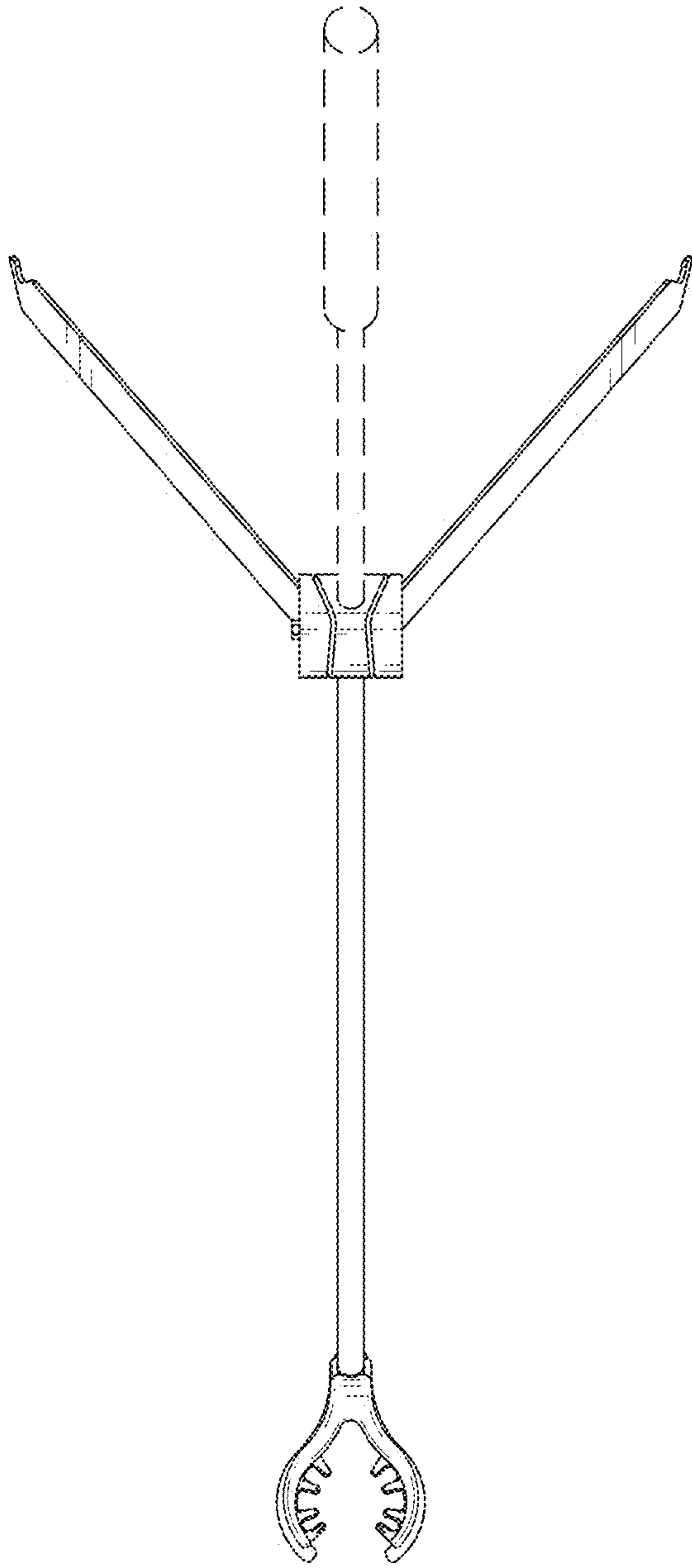


Fig-6

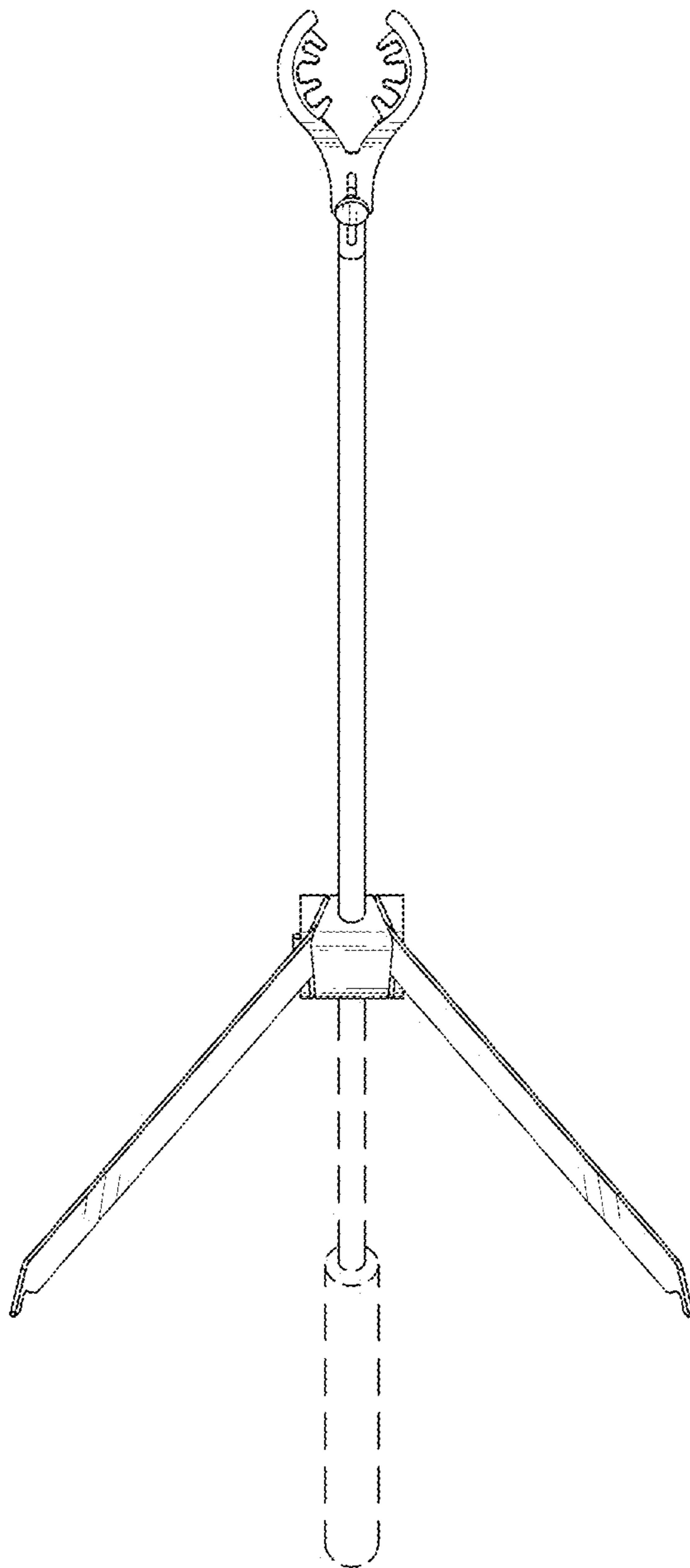


Fig-7

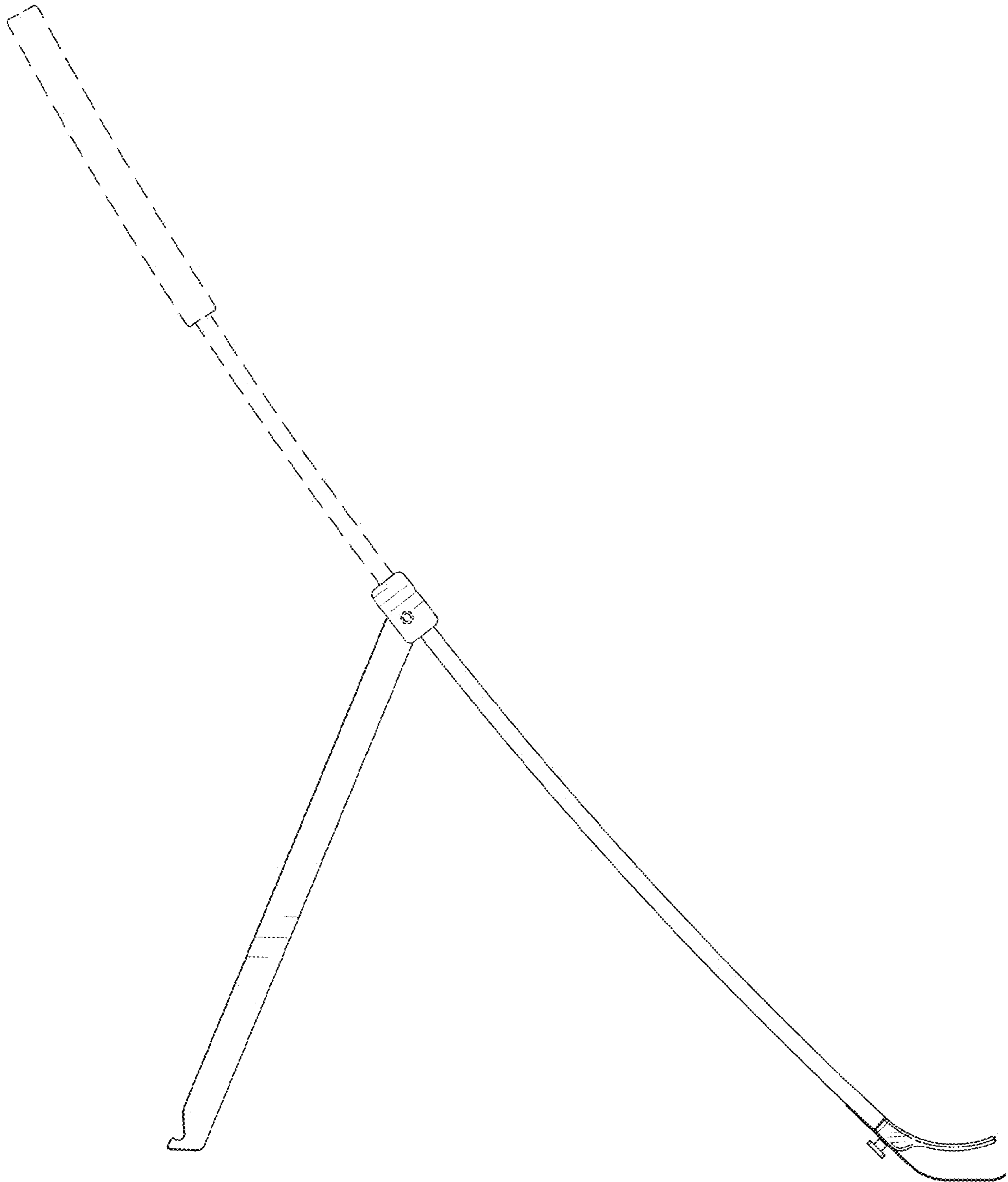


Fig-8