



US00D882708S

(12) **United States Design Patent**  
**Wang**

(10) **Patent No.:** **US D882,708 S**

(45) **Date of Patent:** **\*\* Apr. 28, 2020**

(54) **SELF-BALANCING BOARD**

(71) Applicant: **Liang Wang**, La Verne, CA (US)

(72) Inventor: **Liang Wang**, La Verne, CA (US)

(\*\*) Term: **15 Years**

(21) Appl. No.: **29/659,259**

(22) Filed: **Aug. 7, 2018**

(51) **LOC (12) Cl.** ..... **21-02**

(52) **U.S. Cl.**  
USPC ..... **D21/760; D21/763**

(58) **Field of Classification Search**  
USPC ..... D21/419, 421, 423, 426, 760, 765, 766,  
D21/769, 771, 776, 803; D12/1  
CPC ..... A63C 17/01; A63C 17/12; A63C 2203/00;  
A63C 2203/011; A63C 2203/012; A63C  
2203/013; A63C 2203/40; A63C 2203/52;  
B62D 51/02; B62K 2202/00; B62K  
2207/00; B62K 2207/02; B62K 2207/04  
See application file for complete search history.

(56) **References Cited**

**U.S. PATENT DOCUMENTS**

D214,252 S \* 5/1969 Andersen ..... D21/765  
D699,802 S \* 2/2014 Kim ..... D21/765

D779,375 S \* 2/2017 Zeng ..... D12/1  
D786,995 S \* 5/2017 Ying ..... D21/760  
D808,855 S \* 1/2018 Zhang ..... D12/1  
2017/0088211 A1\* 3/2017 Jiang ..... B62K 11/007

\* cited by examiner

*Primary Examiner* — Cynthia M. Chin

(74) *Attorney, Agent, or Firm* — Che-Yang Chen; Law  
Office of Michael Chen

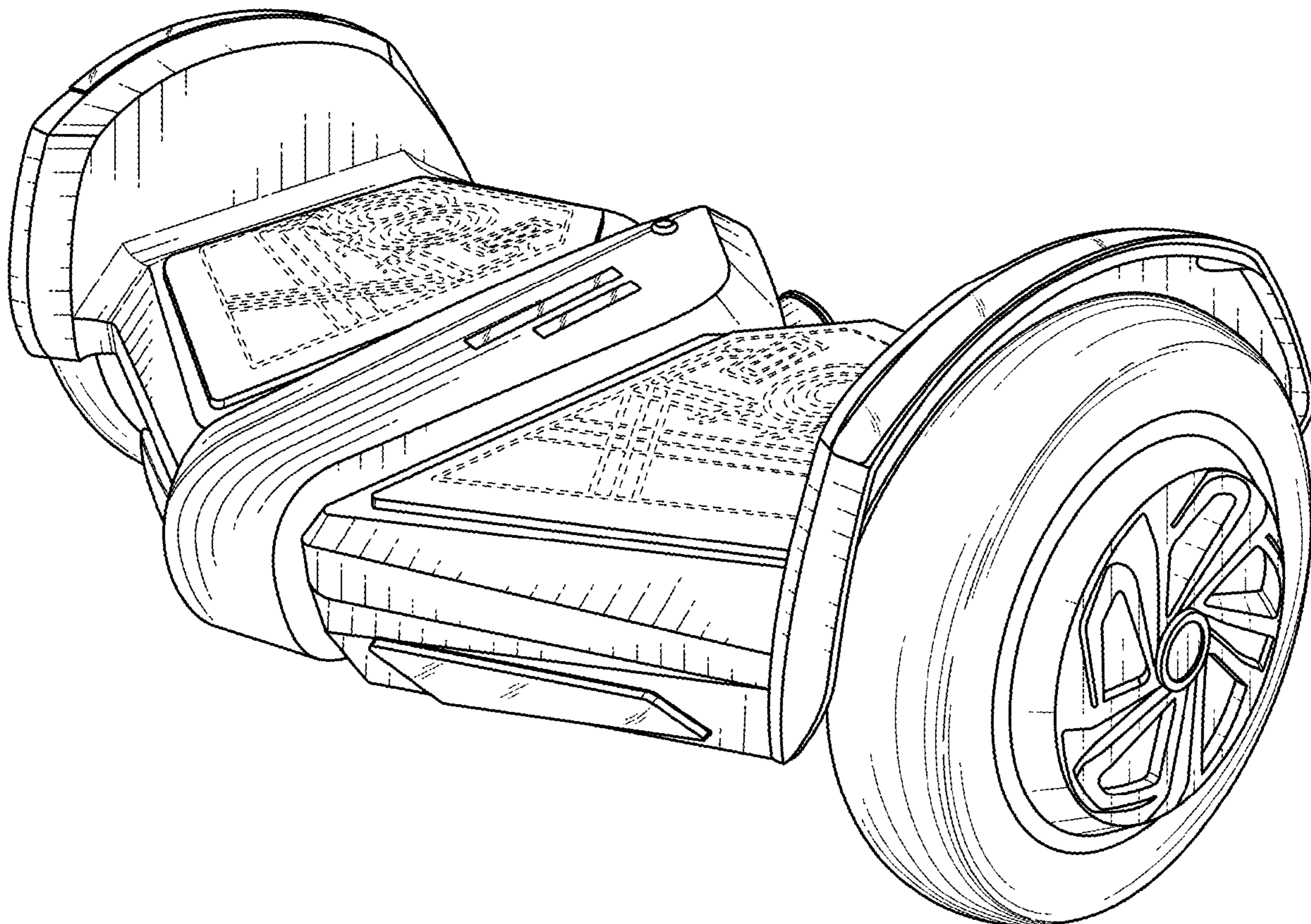
(57) **CLAIM**

The ornamental design for a self-balancing board, as shown  
and described.

**DESCRIPTION**

FIG. 1 is a perspective view of a self-balancing board  
showing my new design;  
FIG. 2 is a front elevational view thereof;  
FIG. 3 is a rear elevational view thereof;  
FIG. 4 is a left side elevational view thereof;  
FIG. 5 is a right side elevational view thereof;  
FIG. 6 is a top plan view thereof; and,  
FIG. 7 is a bottom plan view thereof.  
The broken lines are for the purpose of illustrating portions  
of the article that form no part of the claimed design.

**1 Claim, 4 Drawing Sheets**



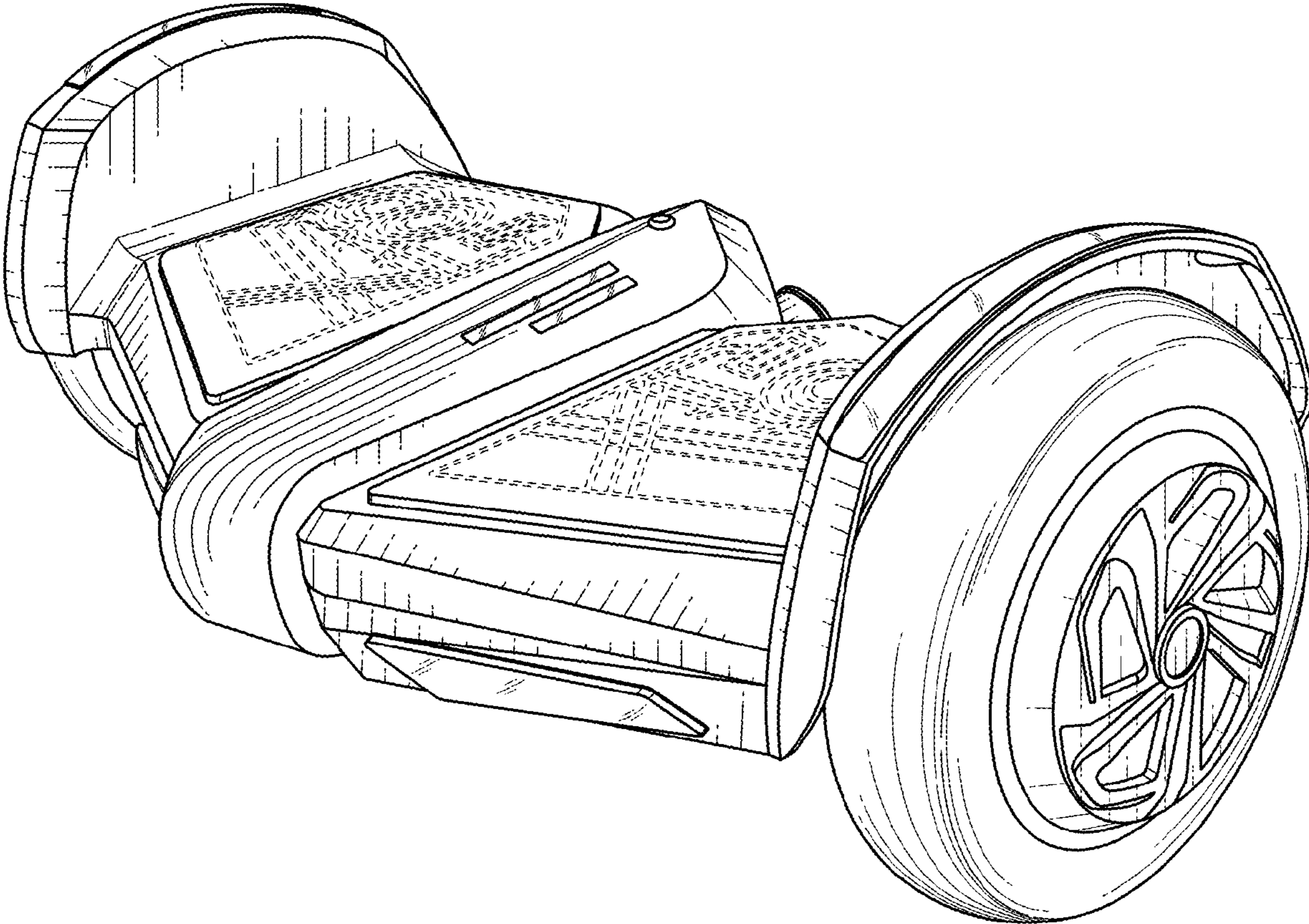


FIG. 1

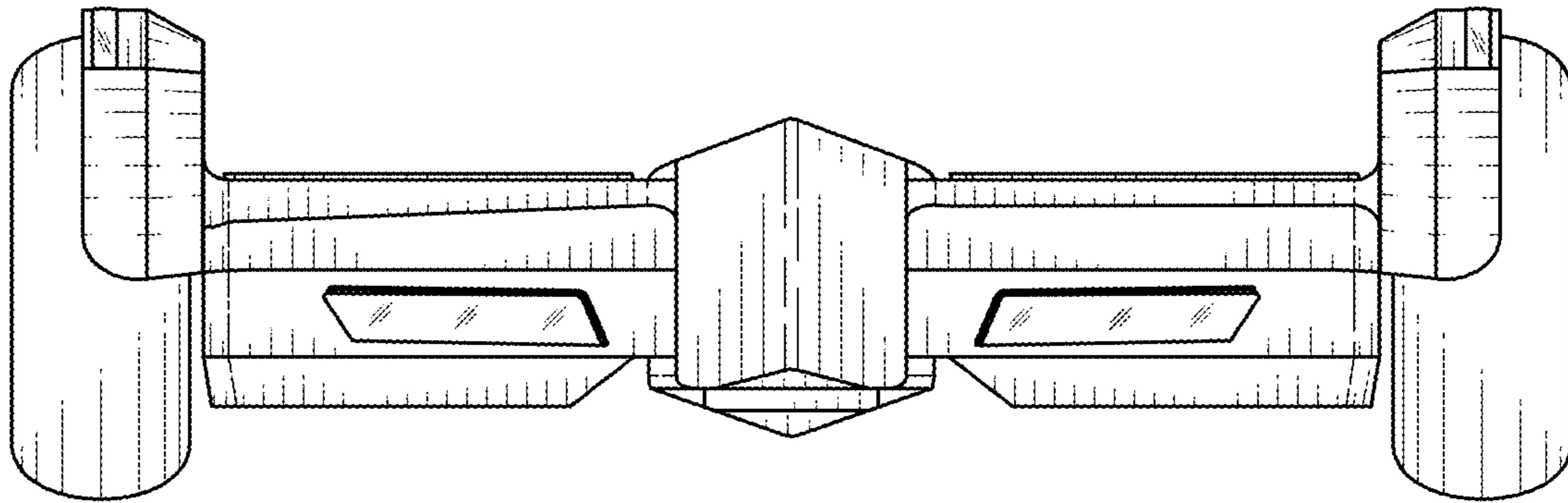


FIG. 2

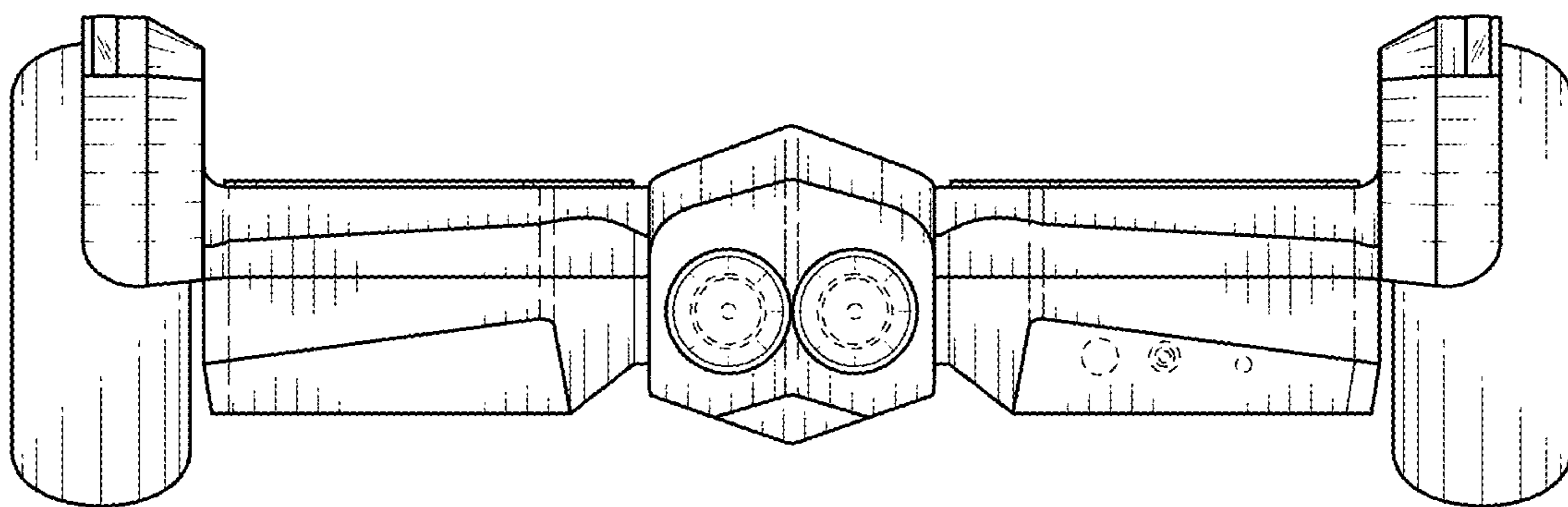


FIG. 3

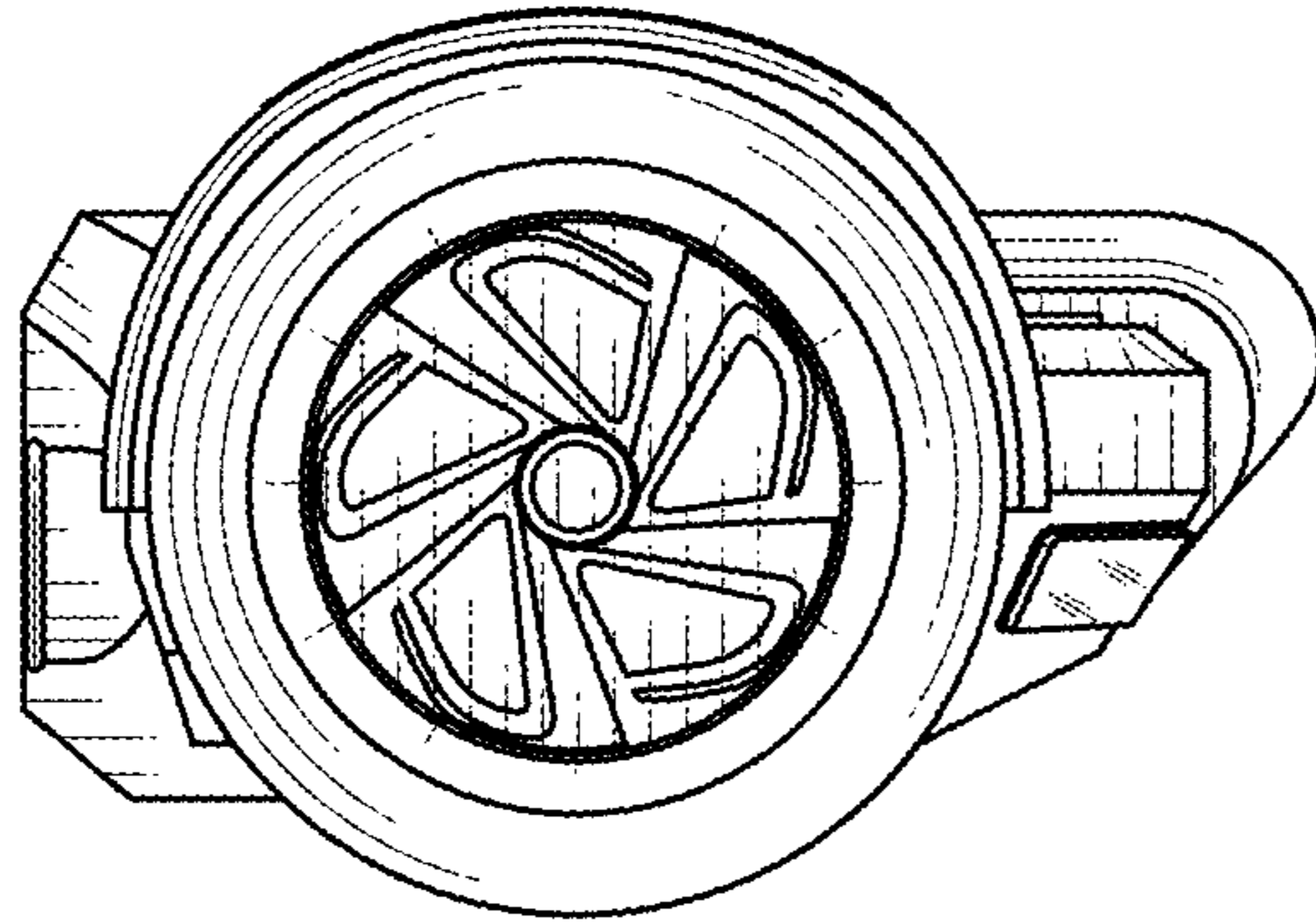


FIG. 4

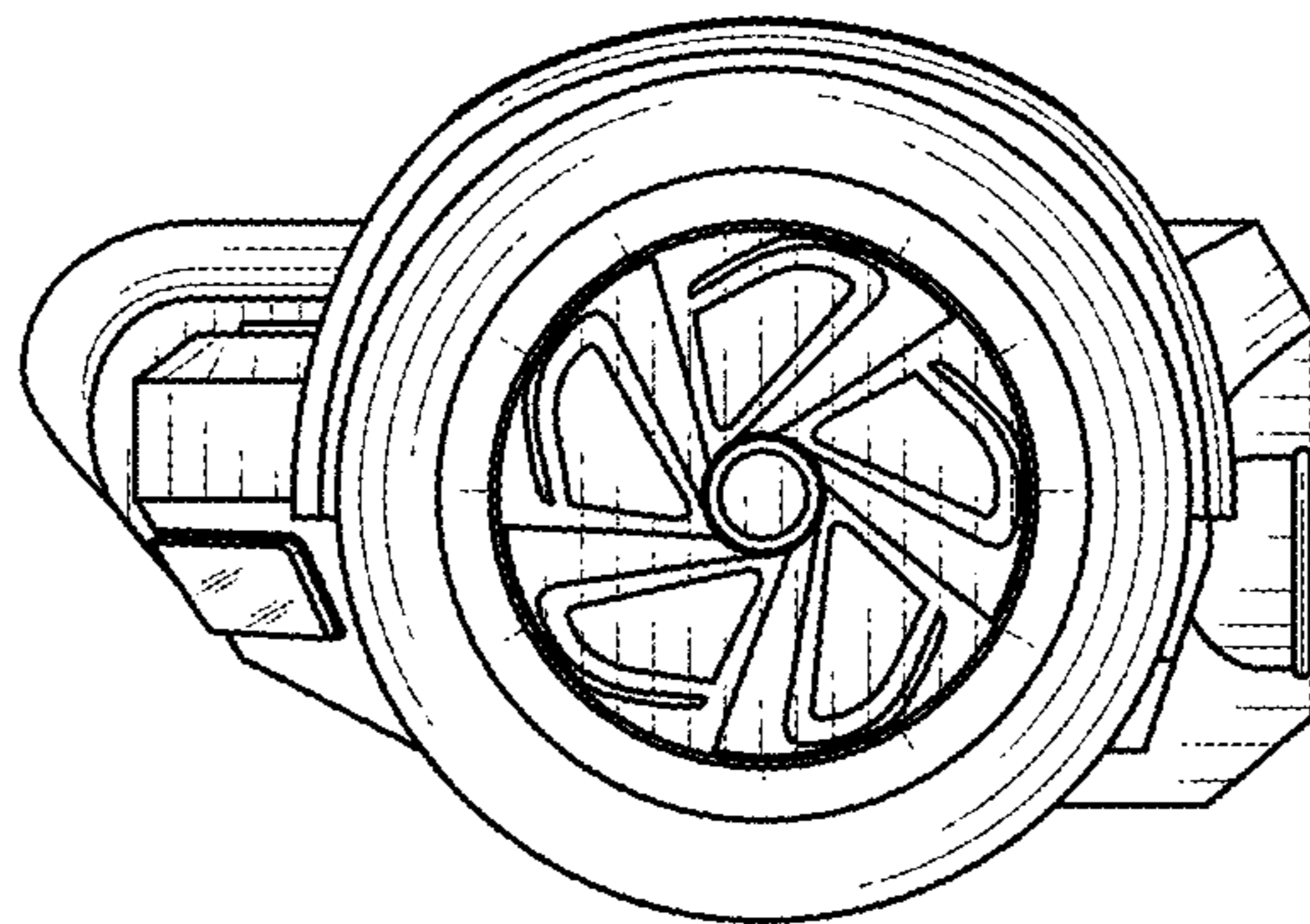


FIG. 5

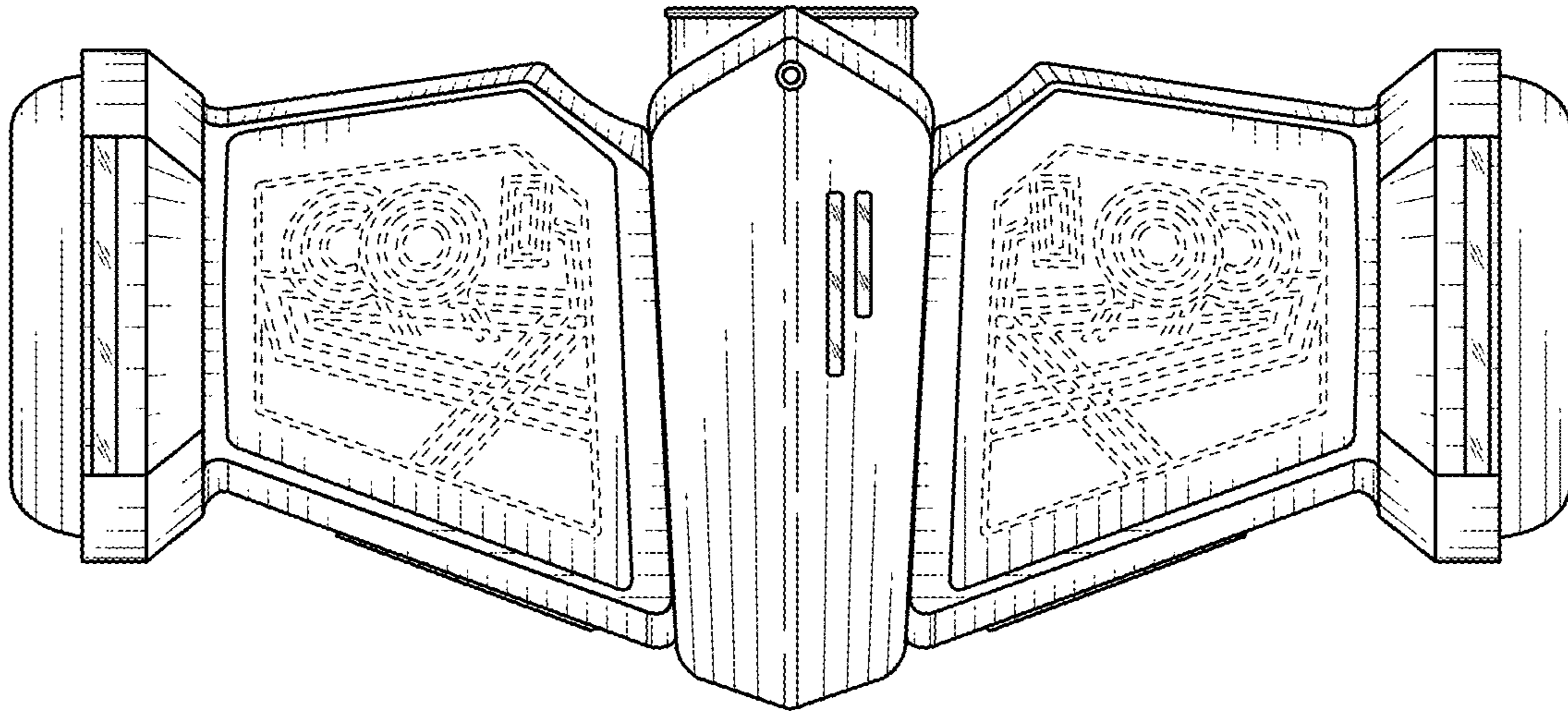


FIG. 6

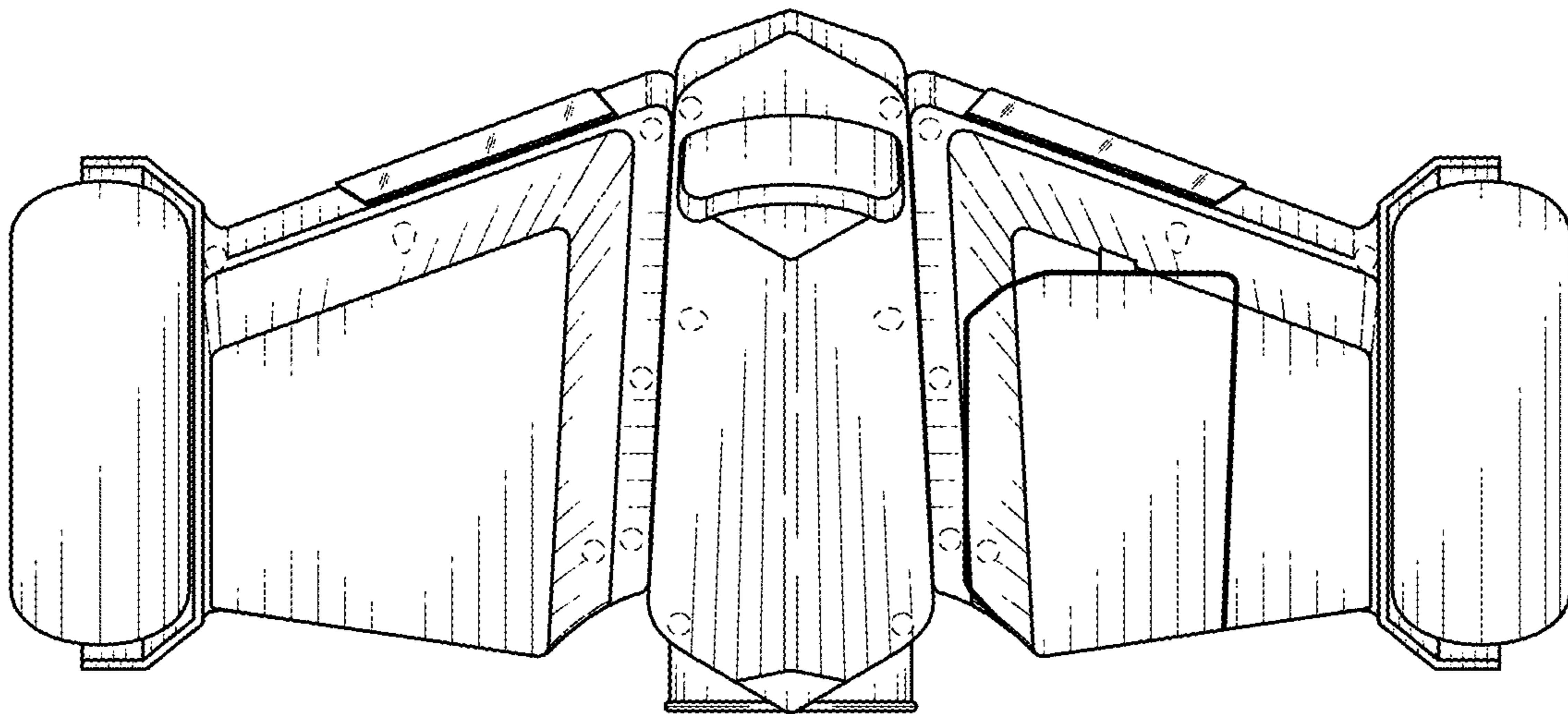


FIG. 7