



US00D882707S

(12) **United States Design Patent**  
**Brown et al.**

(10) **Patent No.:** **US D882,707 S**  
(45) **Date of Patent:** **\*\* Apr. 28, 2020**

(54) **WEIGHTLIFTING EQUIPMENT RACK**

(71) Applicant: **BTX Corp LLC**, Shreveport, LA (US)

(72) Inventors: **Michael Maurice Brown**, Haughton, LA (US); **Kerry Rudolph Bird**, Bossier City, LA (US)

(\*\*) Term: **15 Years**

(21) Appl. No.: **29/661,711**

(22) Filed: **Aug. 30, 2018**

(51) **LOC (12) Cl.** ..... **21-02**

(52) **U.S. Cl.**  
USPC ..... **D21/686**

(58) **Field of Classification Search**  
USPC ..... 482/104; D21/662, 686, 694; D6/329, D6/552, 672; D7/701  
CPC ..... A63B 71/0036; A63B 21/078  
See application file for complete search history.

(56) **References Cited**

**U.S. PATENT DOCUMENTS**

D335,405 S *	5/1993	Tiedge .....	D6/552
D362,776 S *	10/1995	Thorn .....	D6/552
D455,310 S *	4/2002	Webber .....	D21/686
D469,294 S *	1/2003	Harms .....	D21/686
D506,516 S *	6/2005	Yang .....	D21/686
D528,612 S *	9/2006	Black .....	D21/552
D563,135 S *	3/2008	Lien .....	D6/552
D565,673 S *	4/2008	Lien .....	D21/686
D577,234 S *	9/2008	Webber .....	D6/552
D677,504 S *	3/2013	Childs .....	D6/552
D688,490 S *	8/2013	Pepe .....	D6/552

D776,956 S *	1/2017	Ma .....	D6/552
D789,163 S *	6/2017	Nemoto .....	D7/701
D813,567 S *	3/2018	Browning .....	D6/552
2005/0233872 A1 *	10/2005	Harms .....	A63B 71/0036 482/104
2017/0266503 A1 *	9/2017	Watterson .....	A63B 21/0726

**OTHER PUBLICATIONS**

Amazon, "XMark 2-Tier Dumbbell Rack", Sep. 16, 2017.[https://www.amazon.com/XMarks-Dumbbell-Shelves-Superior-Dumbbells/dp/B07NBW4WNS/ref=cm\\_cr\\_ar\\_p\\_d\\_product\\_top?ie=UTF8](https://www.amazon.com/XMarks-Dumbbell-Shelves-Superior-Dumbbells/dp/B07NBW4WNS/ref=cm_cr_ar_p_d_product_top?ie=UTF8). Shown on p. 1. (Year: 2017).\*

\* cited by examiner

*Primary Examiner* — Cynthia Ramirez  
*Assistant Examiner* — Michael A Maharajh

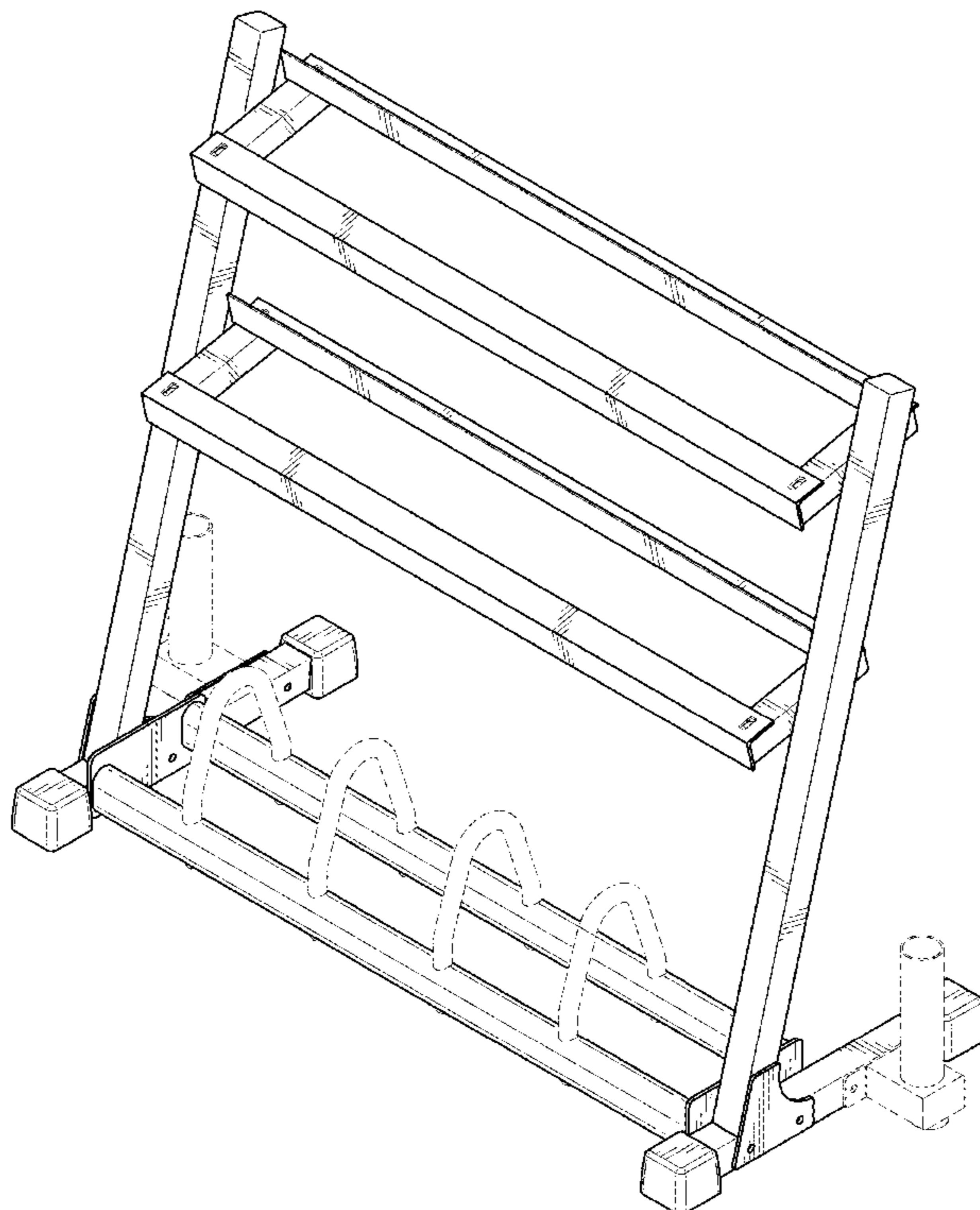
(57) **CLAIM**

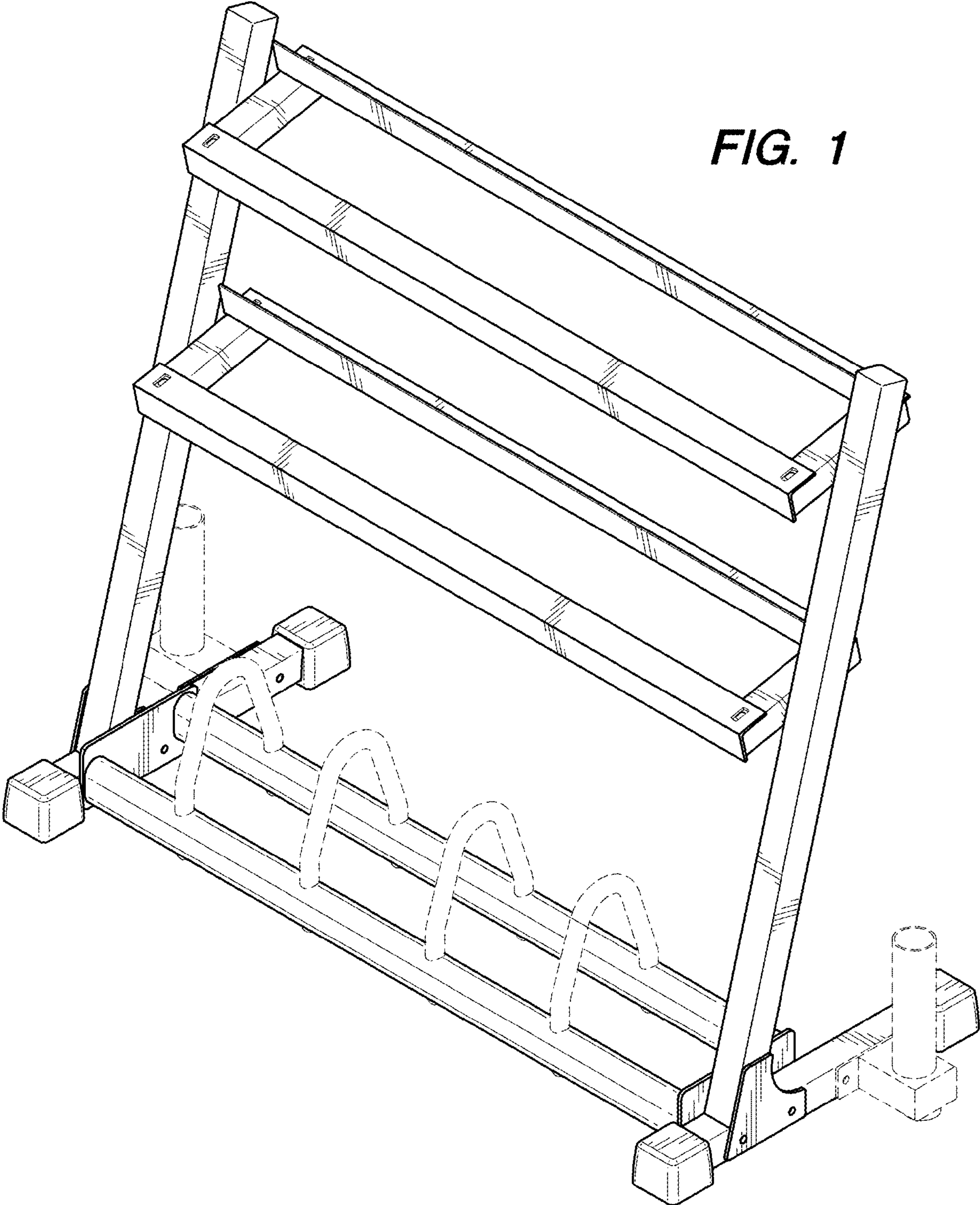
The ornamental design for a weightlifting equipment rack, as shown and described.

**DESCRIPTION**

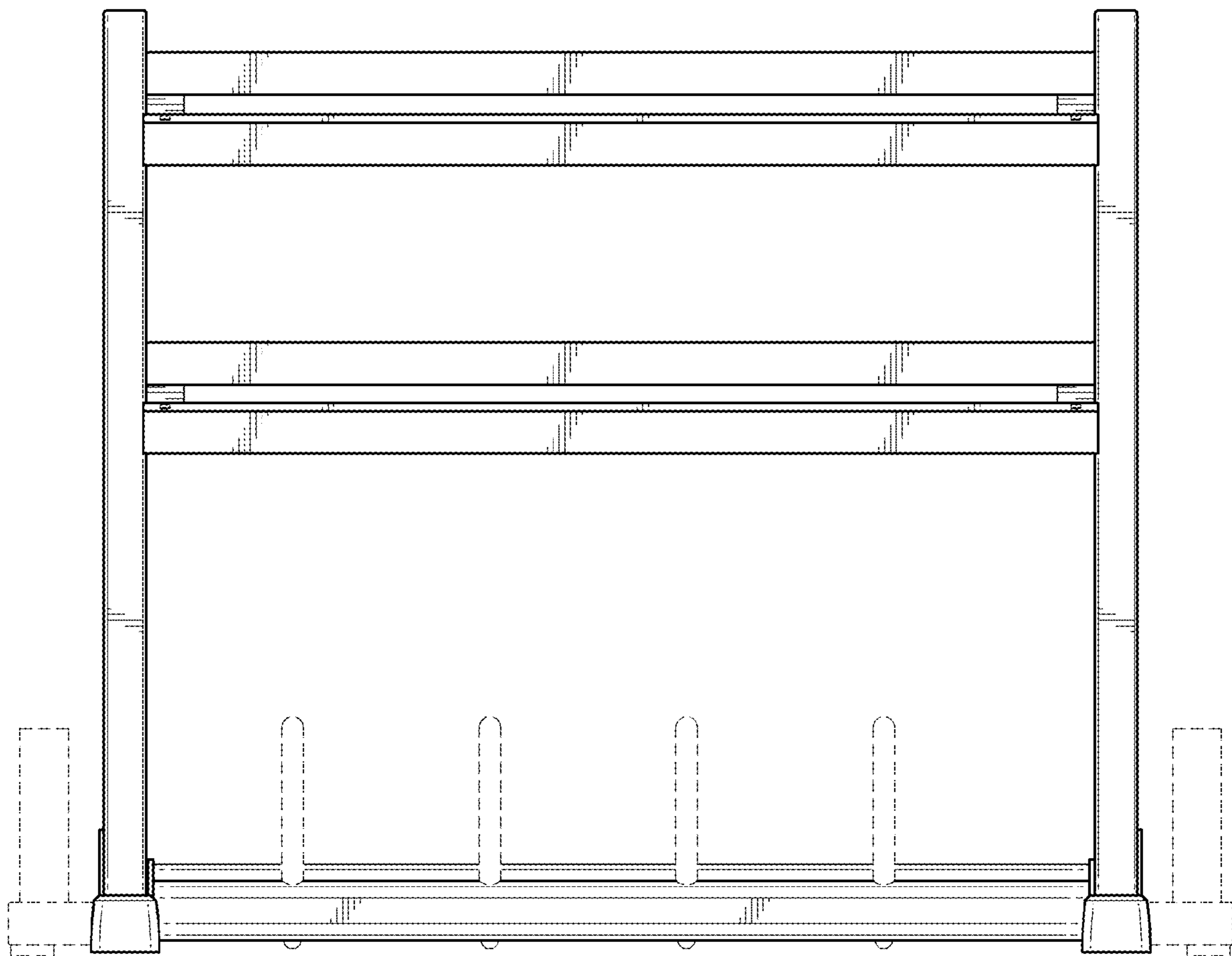
FIG. 1 is top perspective view of a weightlifting equipment rack showing our new design; FIG. 2 is a front view thereof; FIG. 3 is a left side view thereof; FIG. 4 is a rear view thereof; FIG. 5 is a top plan view thereof; and, FIG. 6 is a bottom plan view thereof. The broken lines in the drawings depict environmental subject matter only and form no part of the claimed design.

**1 Claim, 5 Drawing Sheets**

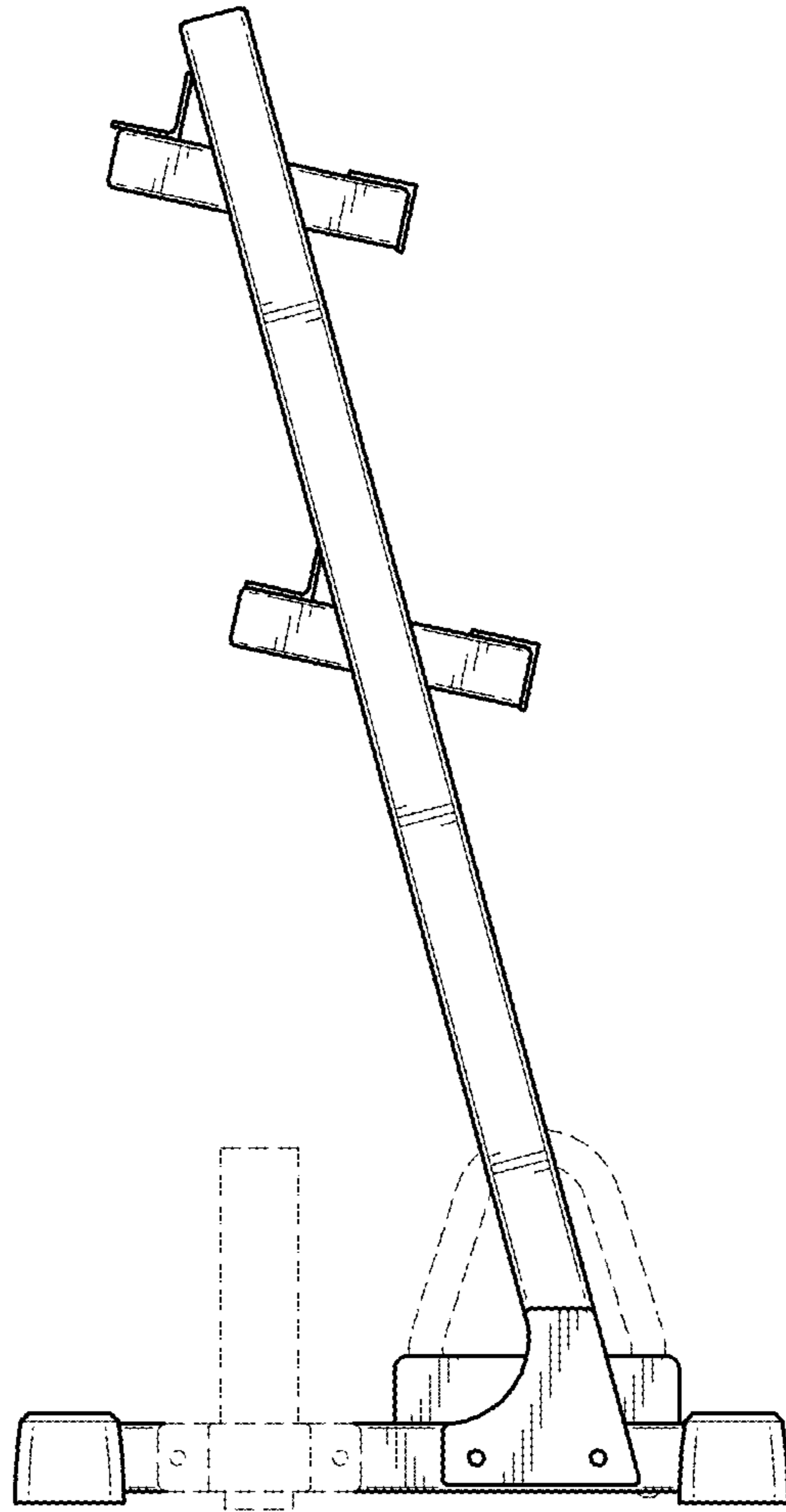




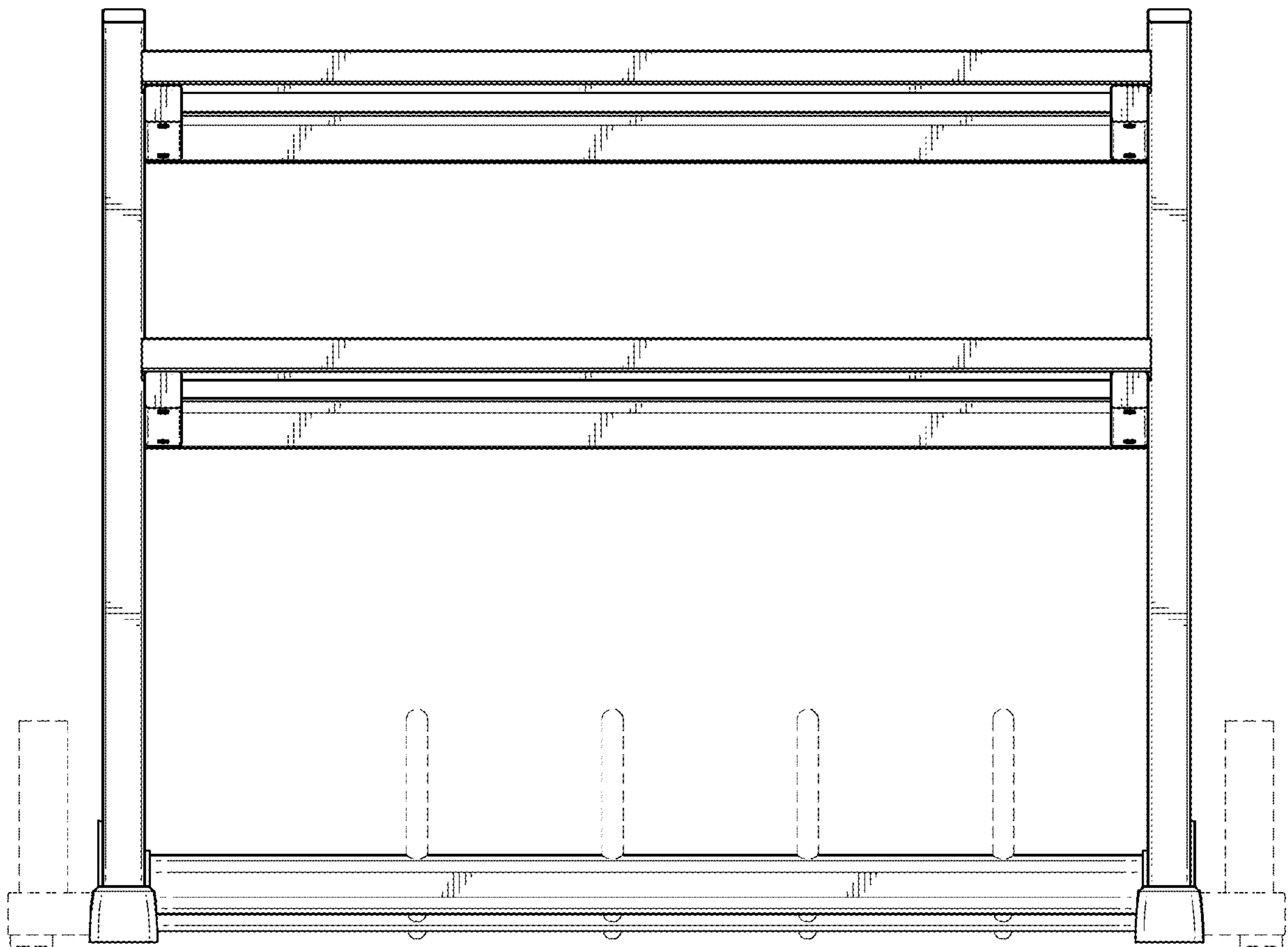
**FIG. 1**



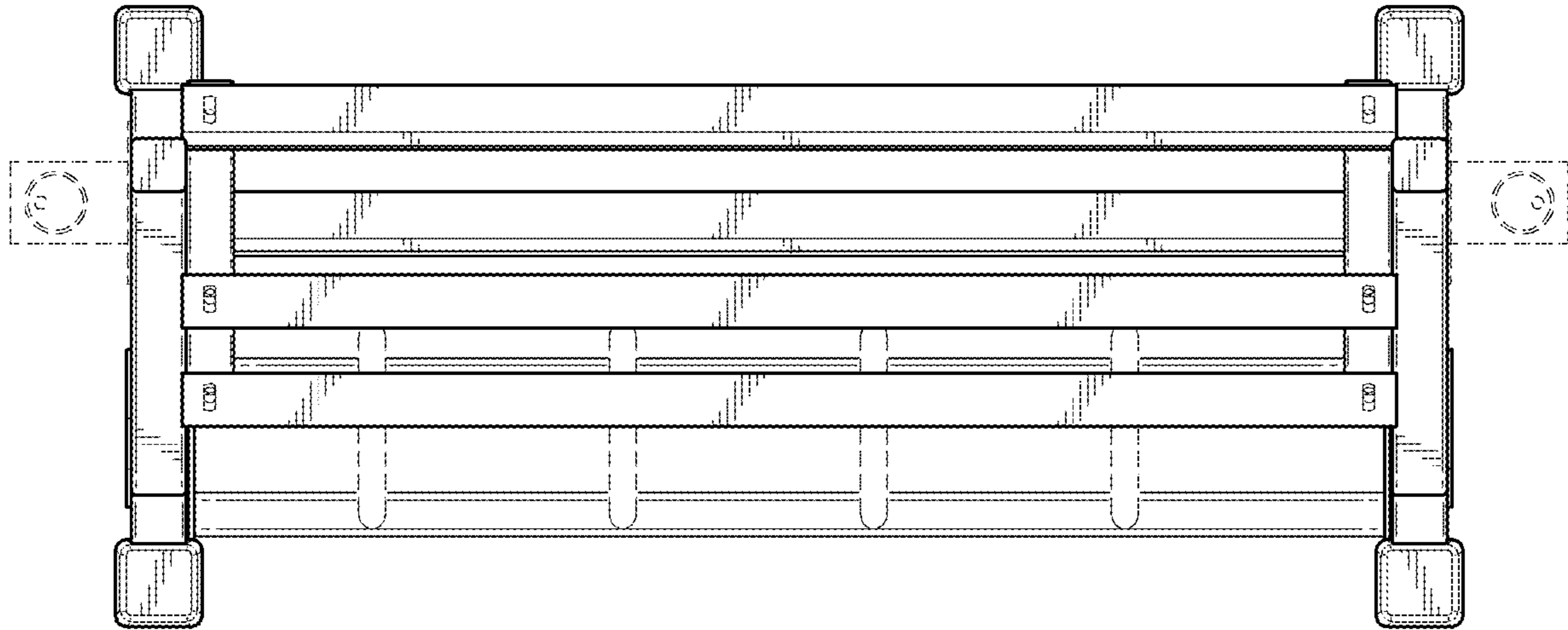
**FIG. 2**



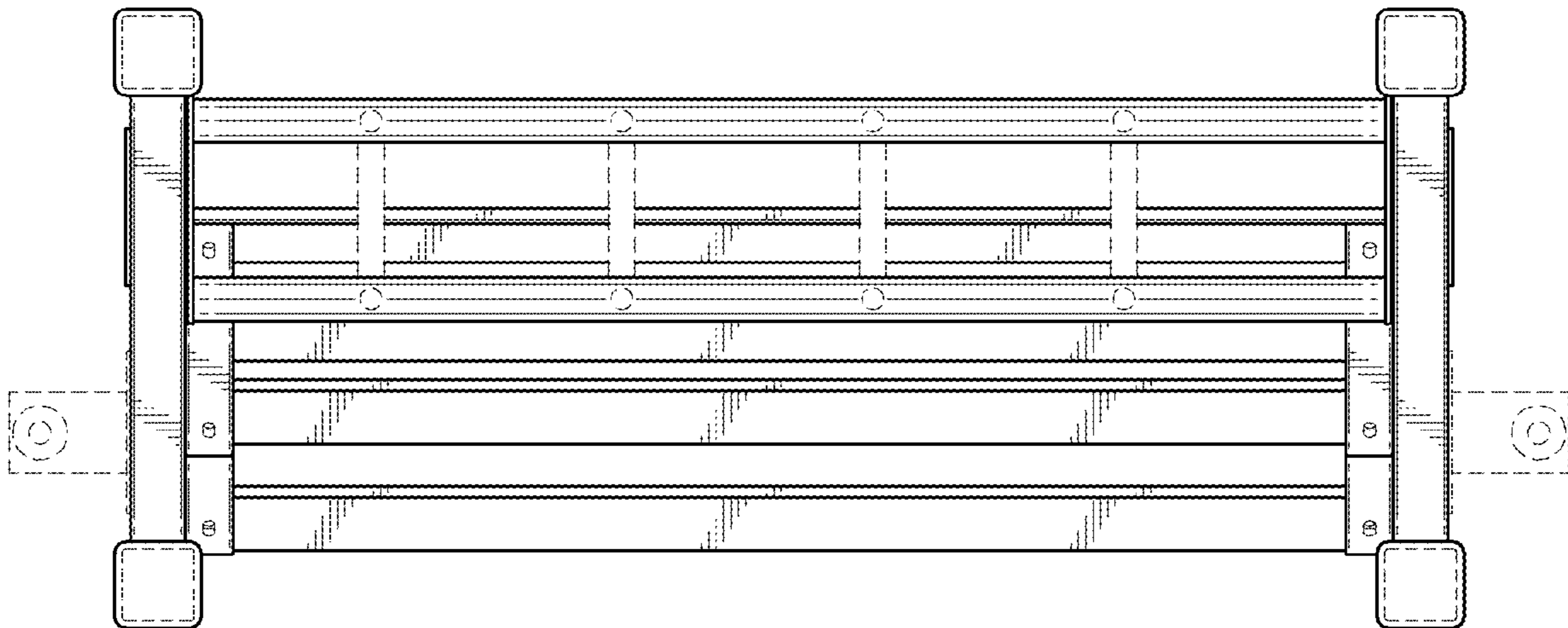
**FIG. 3**



**FIG. 4**



**FIG. 5**



**FIG. 6**