



US00D882704S

(12) **United States Design Patent** (10) **Patent No.:** **US D882,704 S**
Iwasawa (45) **Date of Patent:** **** Apr. 28, 2020**

(54) **TOY GUN**
(71) Applicant: **TOKYO MARUI Co., Ltd.**, Tokyo (JP)
(72) Inventor: **Iwao Iwasawa**, Tokyo (JP)
(73) Assignee: **TOKYO MARUI CO., LTD.**, Tokyo (JP)
(**) Term: **15 Years**
(21) Appl. No.: **29/646,640**
(22) Filed: **May 7, 2018**

D696,374 S * 12/2013 Faifer D22/104
D773,591 S * 12/2016 Morenz D22/108
D773,592 S * 12/2016 Jones D22/108
D773,593 S * 12/2016 Hopkins D22/108
D847,933 S * 5/2019 Windfeldt D22/108

(30) **Foreign Application Priority Data**
Nov. 8, 2017 (JP) 2017-024966
(51) **LOC (12) Cl.** **21-01**
(52) **U.S. Cl.**
USPC **D21/573**
(58) **Field of Classification Search**
USPC D21/333, 401, 461, 567, 568, 570-575;
D14/418; D22/100, 101, 104, 105,
D22/108-110
CPC F41B 11/89; F41B 7/08; F41C 7/00; F41C
7/11; F41C 7/12
See application file for complete search history.

(56) **References Cited**
U.S. PATENT DOCUMENTS
D516,660 S * 3/2006 Murello D22/100
D641,062 S * 7/2011 Faifer D22/103
D660,924 S * 5/2012 Jablonski D21/573
D664,606 S * 7/2012 Johnson D21/573
D671,183 S * 11/2012 Lucansky D22/103
8,448,366 B2 * 5/2013 Faifer F41C 23/04
42/71.01

OTHER PUBLICATIONS

“Decision of Rejection of China Counterpart Application,” dated Nov. 2, 2018, with English translation thereof, p. 1-p. 5.
Office Action of Taiwan Counterpart Application, with English translation thereof, dated Sep. 18, 2018, pp. 1-6.
“Office Action of China Counterpart Application,” with English translation thereof, dated Aug. 20, 2019, p. 1-p. 6.

* cited by examiner

Primary Examiner — Cynthia M. Chin
(74) *Attorney, Agent, or Firm* — JCIPRNET

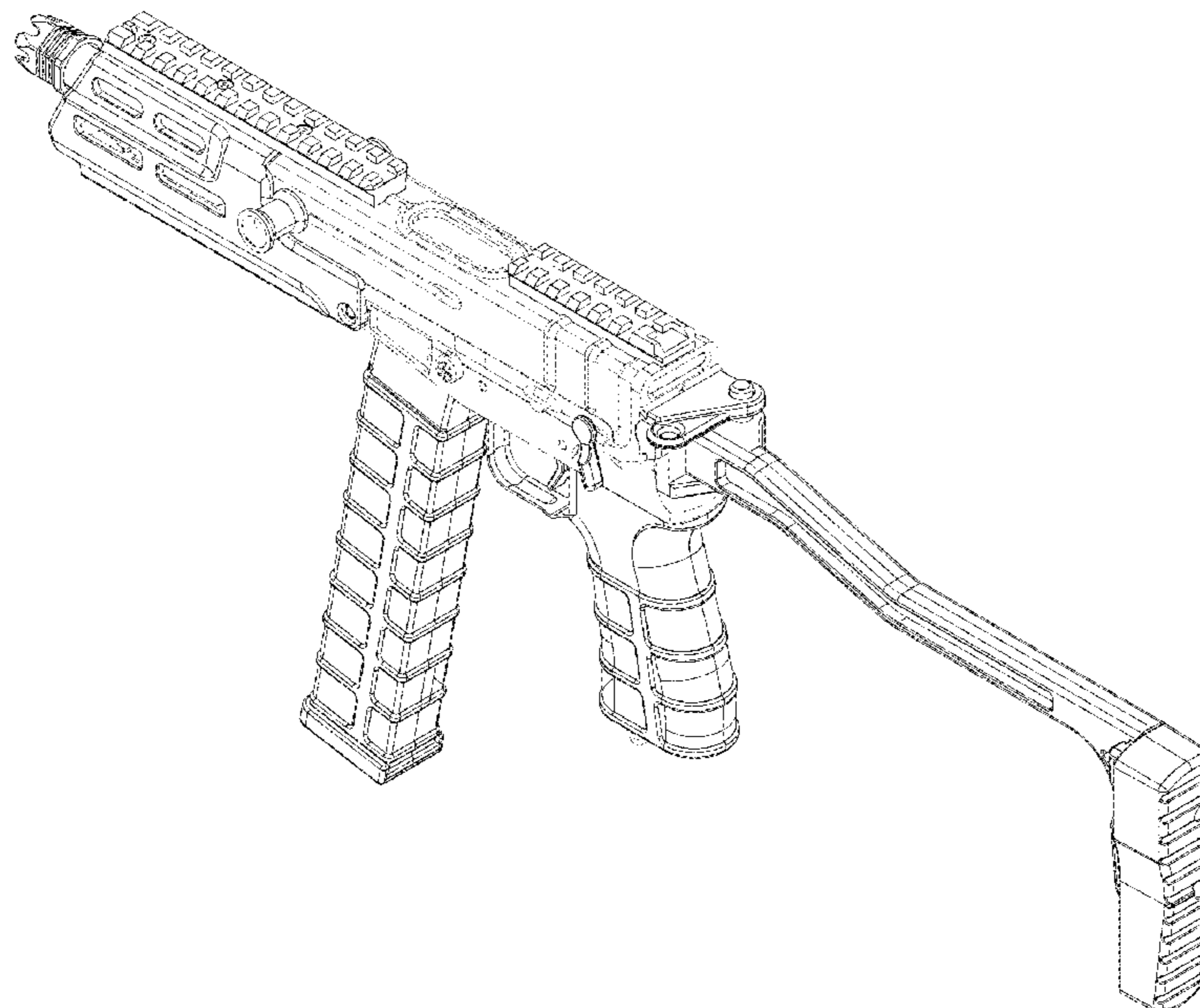
(57) **CLAIM**

The ornamental design for a toy gun, as shown and described.

DESCRIPTION

FIG. 1 is a perspective view of a toy gun showing my new design;
FIG. 2 is a front view thereof;
FIG. 3 is a rear view thereof;
FIG. 4 is a left side view thereof;
FIG. 5 is a right side view thereof;
FIG. 6 is a top view thereof; and,
FIG. 7 is a bottom view thereof.
The broken lines are for the purpose of illustrating portions of the toy gun that form no part of the claimed design.

1 Claim, 5 Drawing Sheets



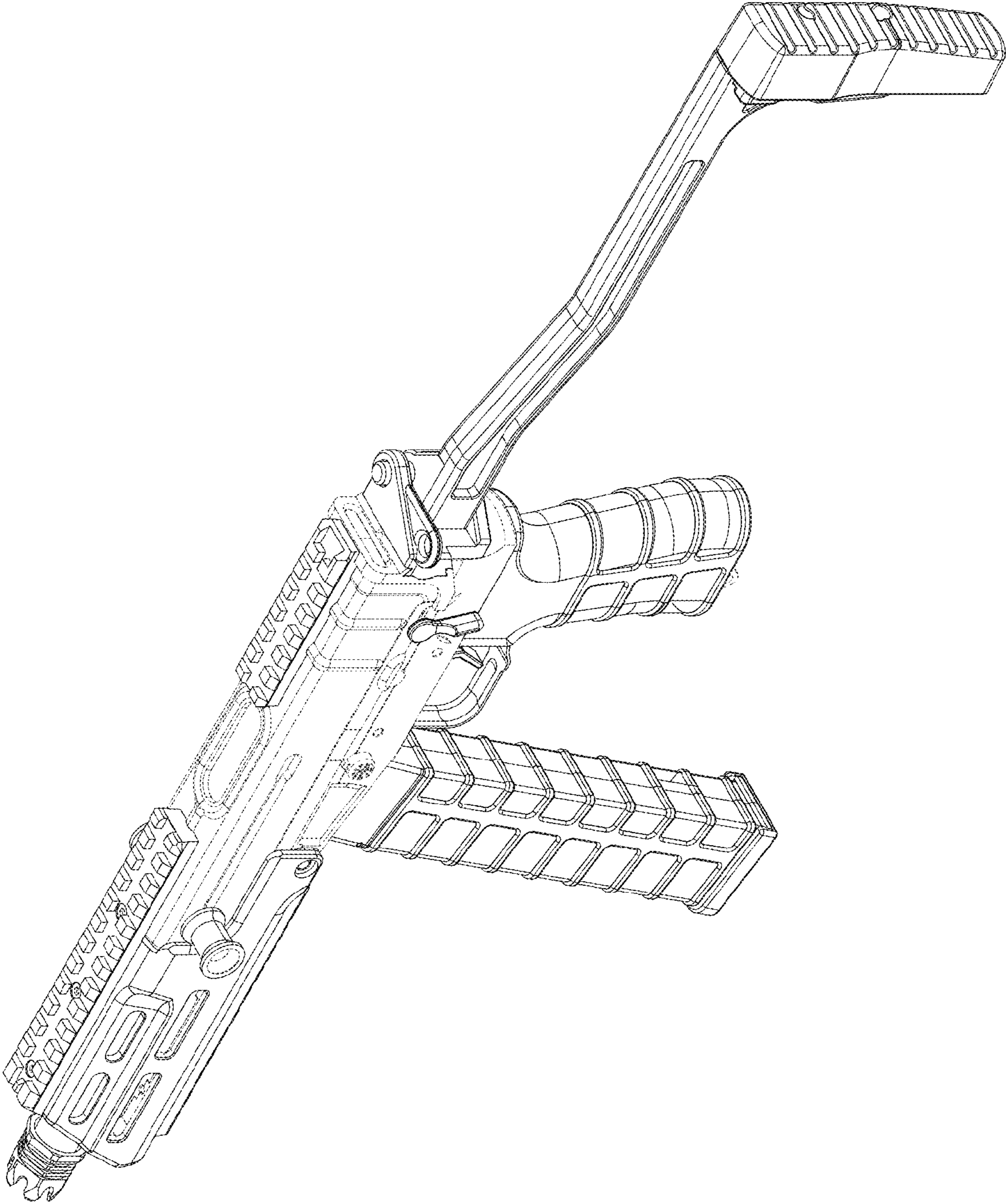


FIG. 1

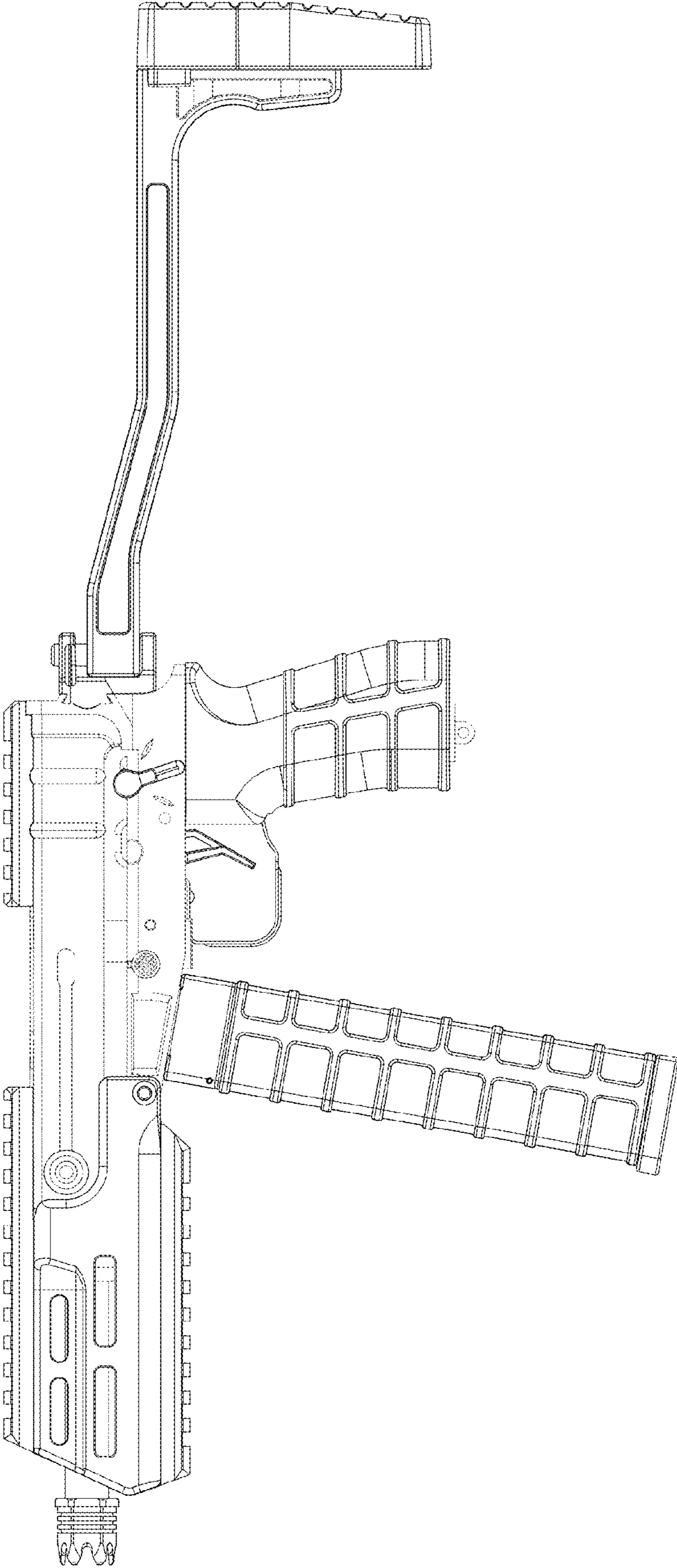


FIG. 2

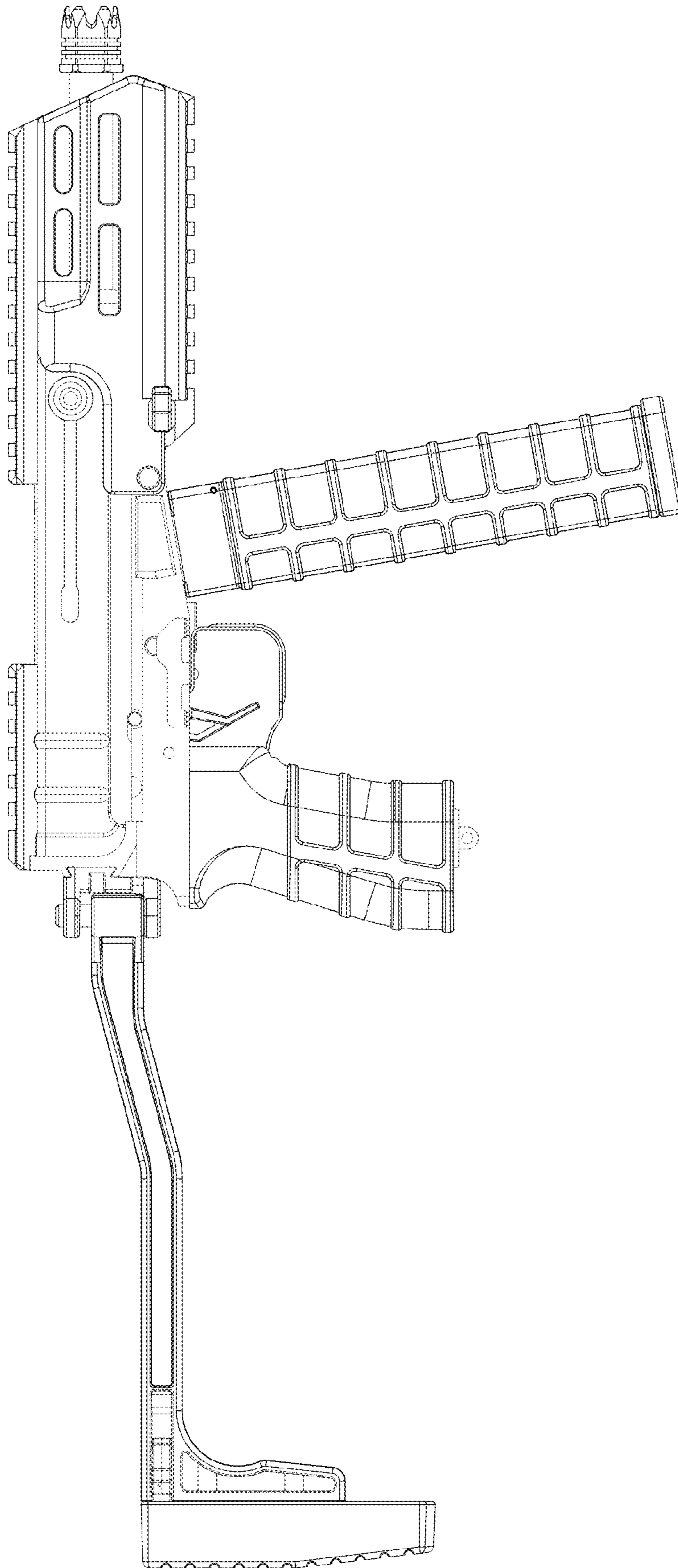


FIG. 3

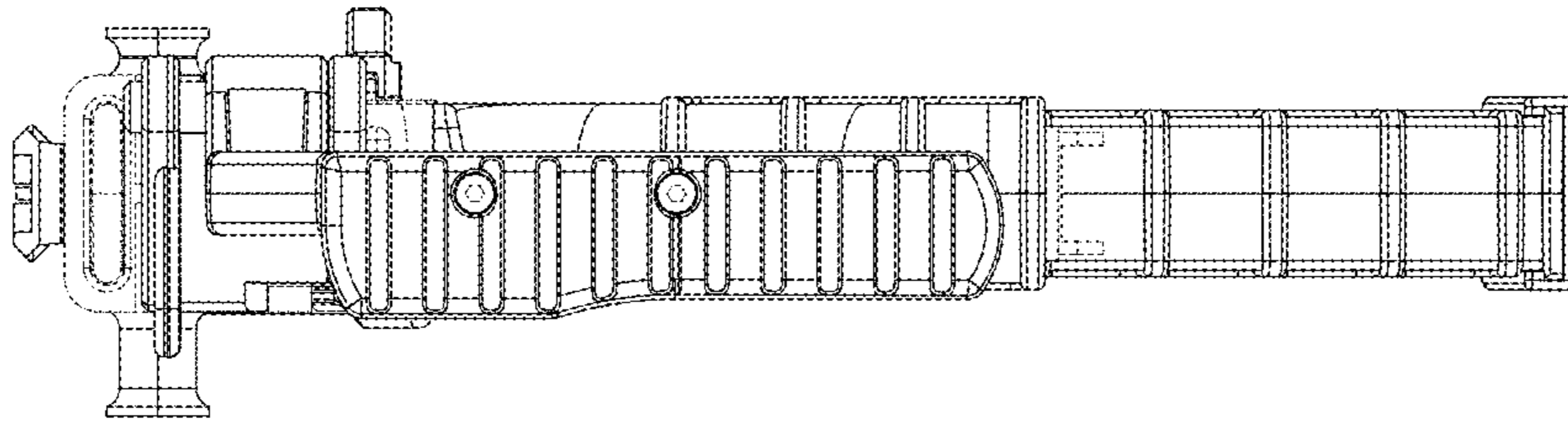


FIG. 5

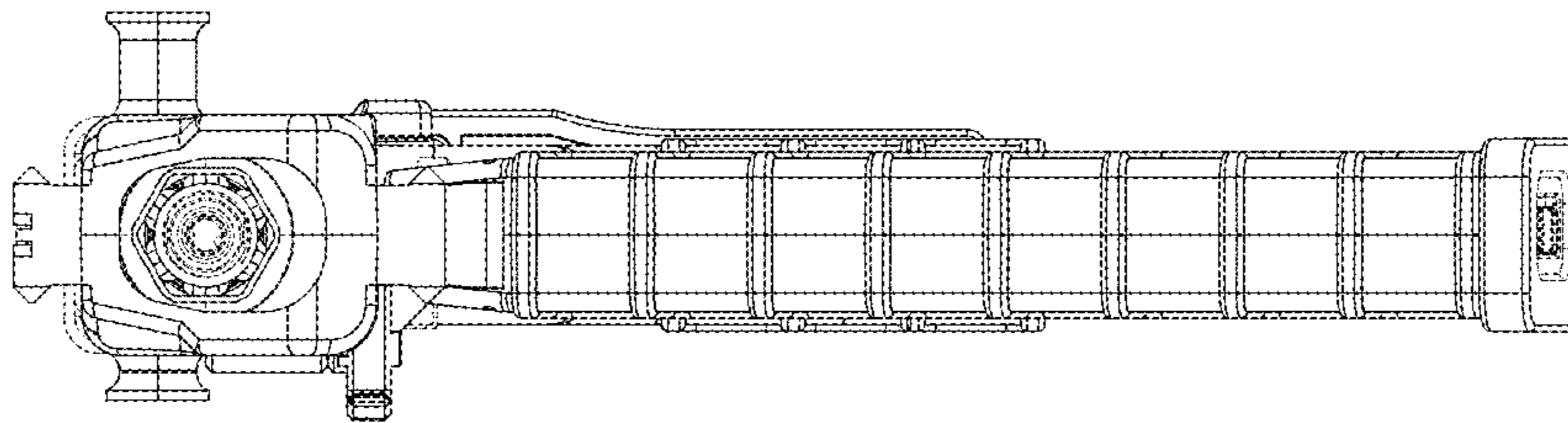


FIG. 4

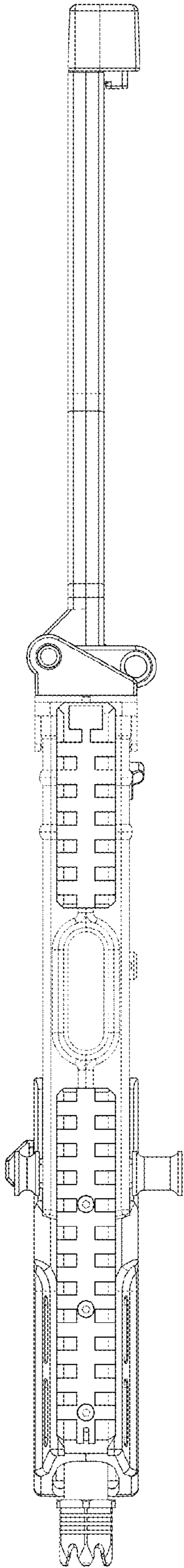


FIG. 6

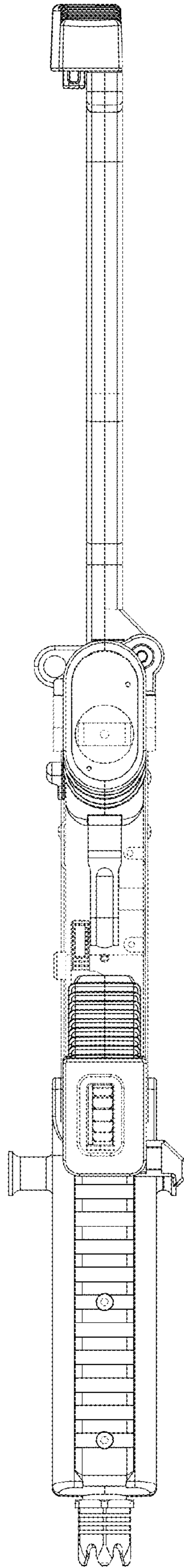


FIG. 7