



US00D882703S

(12) **United States Design Patent**  
**Talios et al.**

(10) **Patent No.:** **US D882,703 S**  
(45) **Date of Patent:** **\*\* Apr. 28, 2020**

- (54) **UTV RIDE-ON TOY**
- (71) Applicant: **Dynacraft BSC, Inc.**, Port Wentworth, GA (US)
- (72) Inventors: **Bill Talios**, Fayetteville, AR (US); **John Bisges**, Buford, GA (US); **David Castrucci**, Napa, CA (US)
- (73) Assignee: **Dynacraft BSC, Inc.**, Port Wentworth, GA (US)

4,391,453 A 7/1983 Glaser  
 4,483,042 A 11/1984 Dieter  
 D279,493 S 7/1985 Lerch  
 4,605,243 A 8/1986 Gläser  
 4,681,331 A 7/1987 Gläser  
 4,684,148 A 8/1987 Gläser  
 4,736,648 A 4/1988 Perego  
 4,739,851 A 4/1988 Perego  
 4,741,551 A 5/1988 Perego  
 D296,540 S 7/1988 Perego  
 4,770,437 A 9/1988 Gläser  
 4,819,958 A 4/1989 Perego  
 5,173,591 A 12/1992 Perego

(Continued)

(\*\*) Term: **15 Years**

(21) Appl. No.: **29/714,429**

(22) Filed: **Nov. 22, 2019**

**Related U.S. Application Data**

- (62) Division of application No. 29/634,321, filed on Jan. 19, 2018.
- (51) **LOC (12) Cl.** ..... **21-01**
- (52) **U.S. Cl.**  
USPC ..... **D21/433**
- (58) **Field of Classification Search**  
USPC .... D12/14, 85–87; D21/419, 424, 431, 433, D21/533, 548, 559  
CPC ..... B62D 23/00; B62D 21/18; B62D 21/183; B62D 24/02; B62D 25/00; B62D 39/00; B62D 49/06; B62D 49/0621; A63H 17/06  
See application file for complete search history.

(56) **References Cited**

**U.S. PATENT DOCUMENTS**

2,233,116 A 2/1941 Voorheis  
 2,602,266 A 7/1952 Preston  
 3,039,229 A 6/1962 Cleemput  
 3,964,767 A 6/1976 Williams  
 4,173,355 A 11/1979 Perego  
 4,304,066 A 12/1981 Brand et al.  
 D262,696 S 1/1982 Perego

**OTHER PUBLICATIONS**

Blain's Farm and Fleet, "Double HH Hitch Pin," <<https://www.farmandfleet.com/products/g-1470-double-hh-hitch-pin.html>> webpage accessed Aug. 22, 2017.

(Continued)

*Primary Examiner* — Cynthia M. Chin

(74) *Attorney, Agent, or Firm* — Michael Best & Friedrich LLP

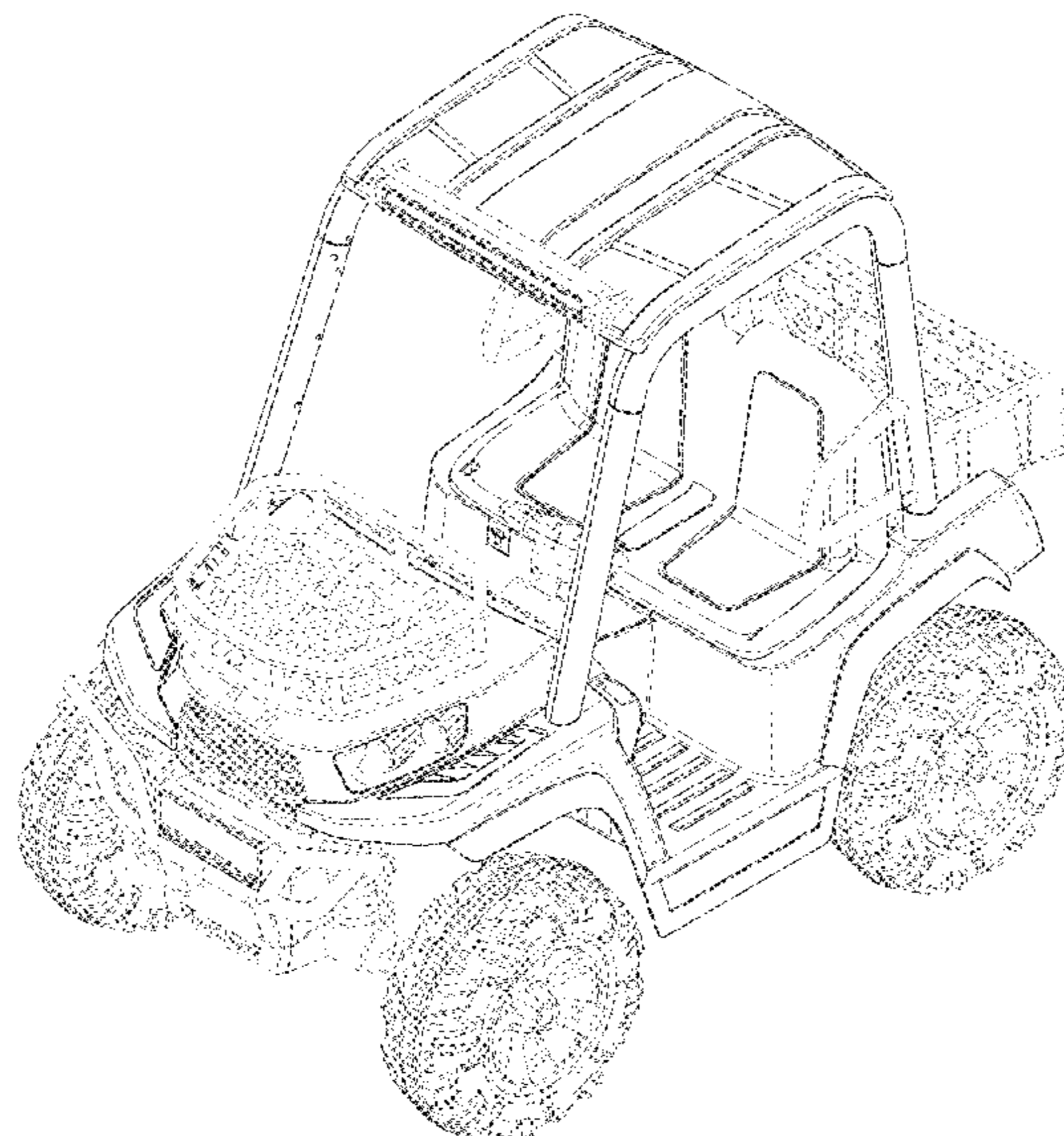
(57) **CLAIM**

The ornamental design for a UTV ride-on toy, as shown and described.

**DESCRIPTION**

FIG. 1 is a front perspective view of the design; FIG. 2 is a rear perspective view of FIG. 1; FIG. 3 is a front elevational view of FIG. 1; FIG. 4 is a rear elevational view of FIG. 1; FIG. 5 is a left-side elevational view of FIG. 1; FIG. 6 is a right-side elevational view of FIG. 1; and, FIG. 7 is a top plan view of FIG. 1. The broken lines show portions of the UTV ride-on toy that form no part of the claimed design.

**1 Claim, 7 Drawing Sheets**



(56)

References Cited

U.S. PATENT DOCUMENTS

D333,060 S 2/1993 Perego  
 5,199,733 A 4/1993 Delorme  
 5,409,263 A 4/1995 Klawitter  
 5,434,494 A 7/1995 Perego  
 5,558,351 A 9/1996 Hunter  
 5,669,664 A 9/1997 Perego  
 D386,911 S 12/1997 Perego  
 5,707,104 A 1/1998 Perego  
 5,749,627 A 5/1998 Perego  
 D410,502 S 6/1999 Harrod  
 5,924,506 A 7/1999 Perego  
 D436,141 S 1/2001 Lerch  
 6,193,261 B1 2/2001 Hahka  
 6,318,807 B1 11/2001 Perego  
 6,568,894 B2 5/2003 Golden et al.  
 6,692,015 B2 2/2004 Perego  
 D489,776 S 5/2004 Hoeting  
 6,786,795 B1 9/2004 Mullaney et al.  
 6,854,800 B2 2/2005 Perego  
 7,207,588 B2 4/2007 Bergum et al.  
 D589,397 S 3/2009 Tuo  
 D595,613 S 7/2009 Lai et al.  
 D603,754 S 11/2009 Tuo  
 7,950,486 B2 5/2011 Van Bronkhorst et al.  
 8,079,602 B2 12/2011 Kinsman et al.  
 8,360,460 B1 1/2013 Jarvis  
 8,585,073 B2 11/2013 Smoot  
 8,678,053 B2 3/2014 Harris

D712,309 S \* 9/2014 Wu ..... D12/14  
 D714,186 S \* 9/2014 Wu ..... D12/14  
 8,997,908 B2 4/2015 Kinsman et al.  
 D730,651 S 6/2015 Perego  
 D735,077 S 7/2015 Sato et al.  
 D756,845 S \* 5/2016 Flores ..... D12/14  
 D764,974 S 8/2016 Mikhailov et al.  
 9,643,672 B2 5/2017 Kettler  
 D800,015 S 10/2017 Lyons et al.  
 D810,619 S 2/2018 Hashimoto  
 D814,347 S 4/2018 Kushita et al.  
 D852,674 S 7/2019 Wilcox et al.  
 2007/0214818 A1 \* 9/2007 Nakamura ..... B60H 1/00378  
 62/239  
 2008/0164679 A1 7/2008 Macdougall  
 2010/0317485 A1 12/2010 Gillingham et al.  
 2012/0032465 A1 \* 2/2012 Morita ..... B60P 3/423  
 296/26.09  
 2015/0076854 A1 \* 3/2015 Salamon ..... B60J 1/04  
 296/96.2  
 2017/0001508 A1 \* 1/2017 Bessho ..... B60K 5/04  
 2017/0029036 A1 \* 2/2017 Proulx ..... B60N 2/24

OTHER PUBLICATIONS

Target, "Peg Perego John Deere Adventure Trailer for Gator,"  
 <<https://www.target.com/p/peg-perego-john-deere-adventure-trailer-for-gator/-/A-17147092>> webpage accessed Aug. 22, 2017.

\* cited by examiner

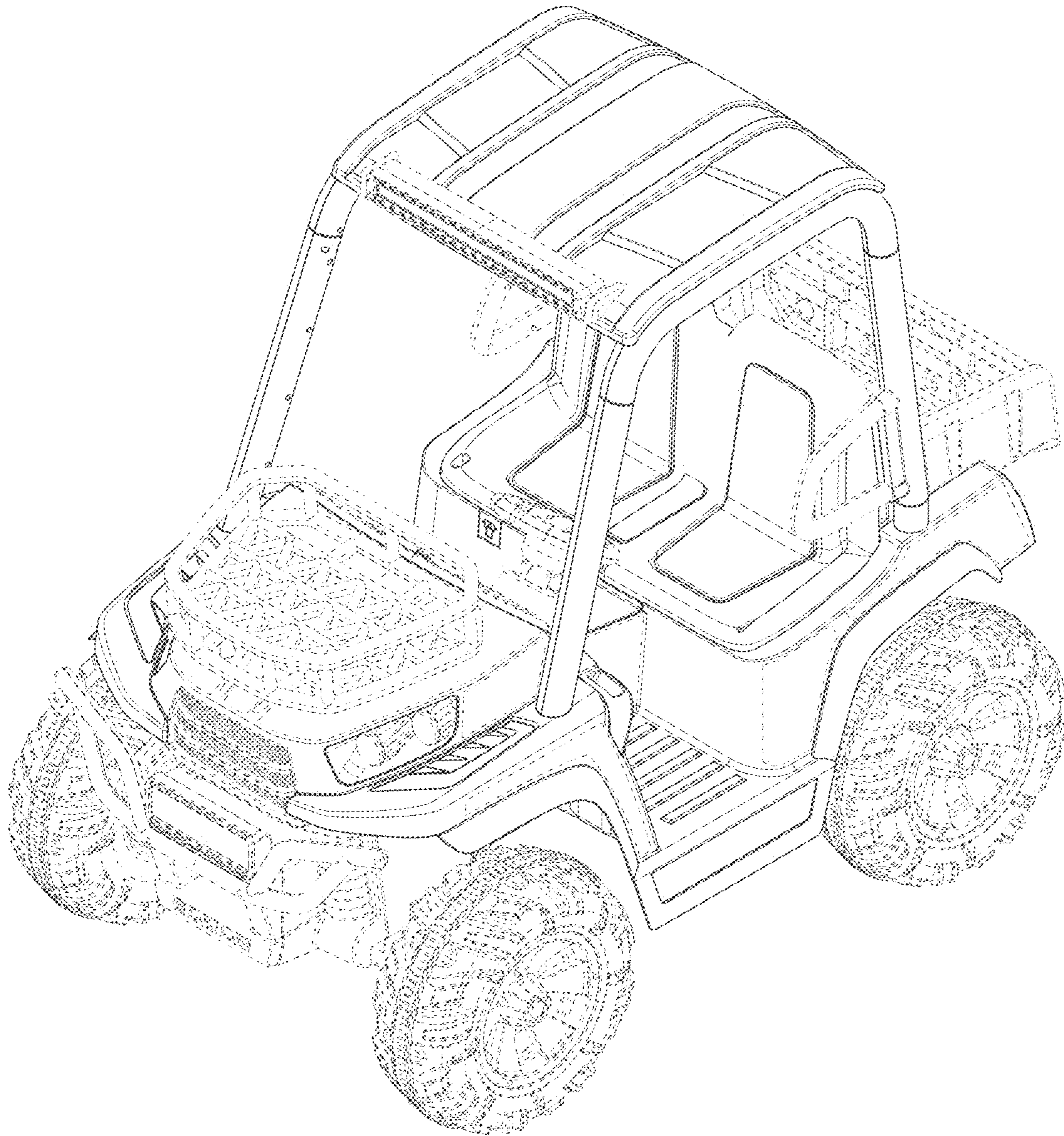


FIG. 1

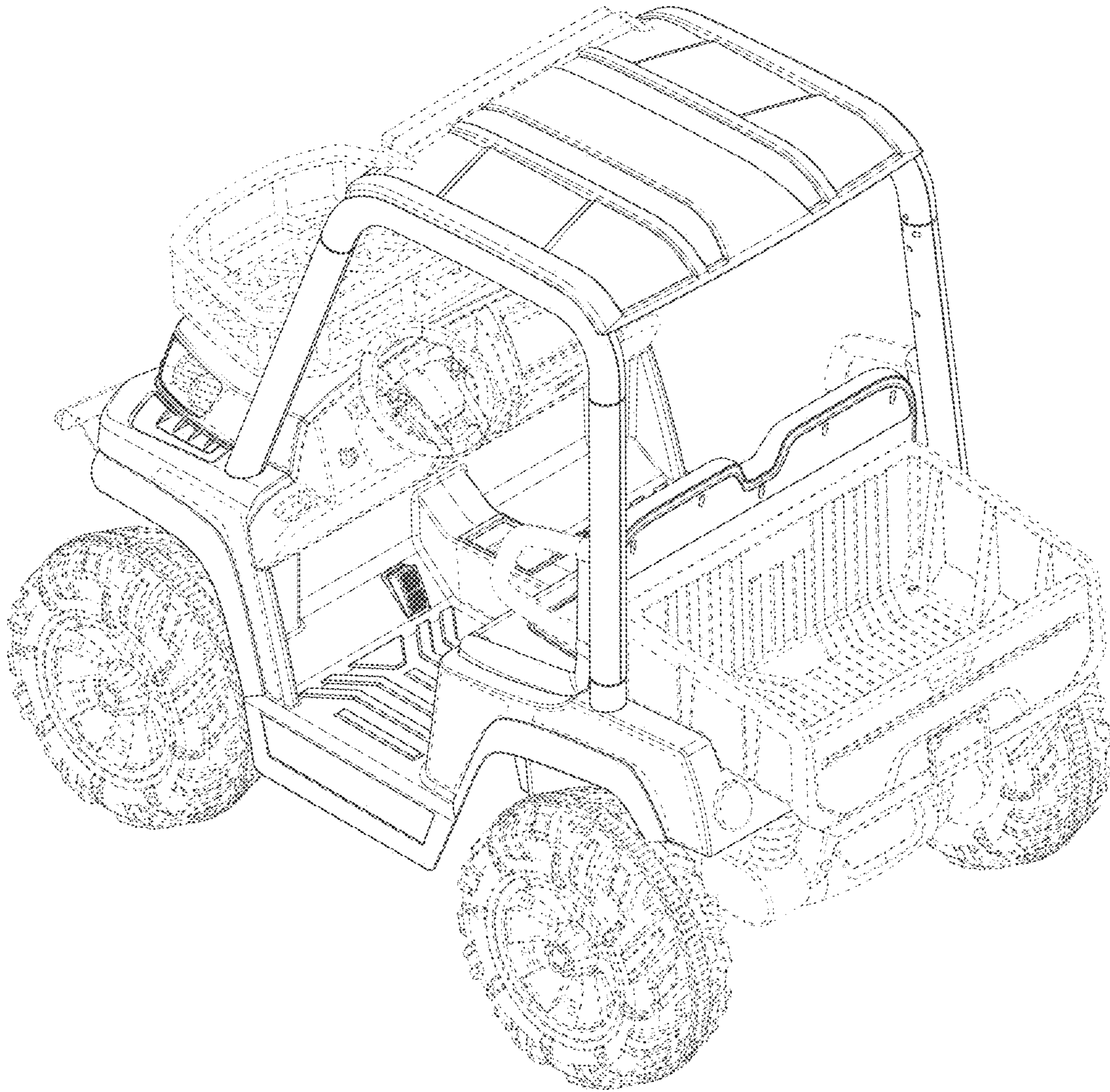


FIG. 2

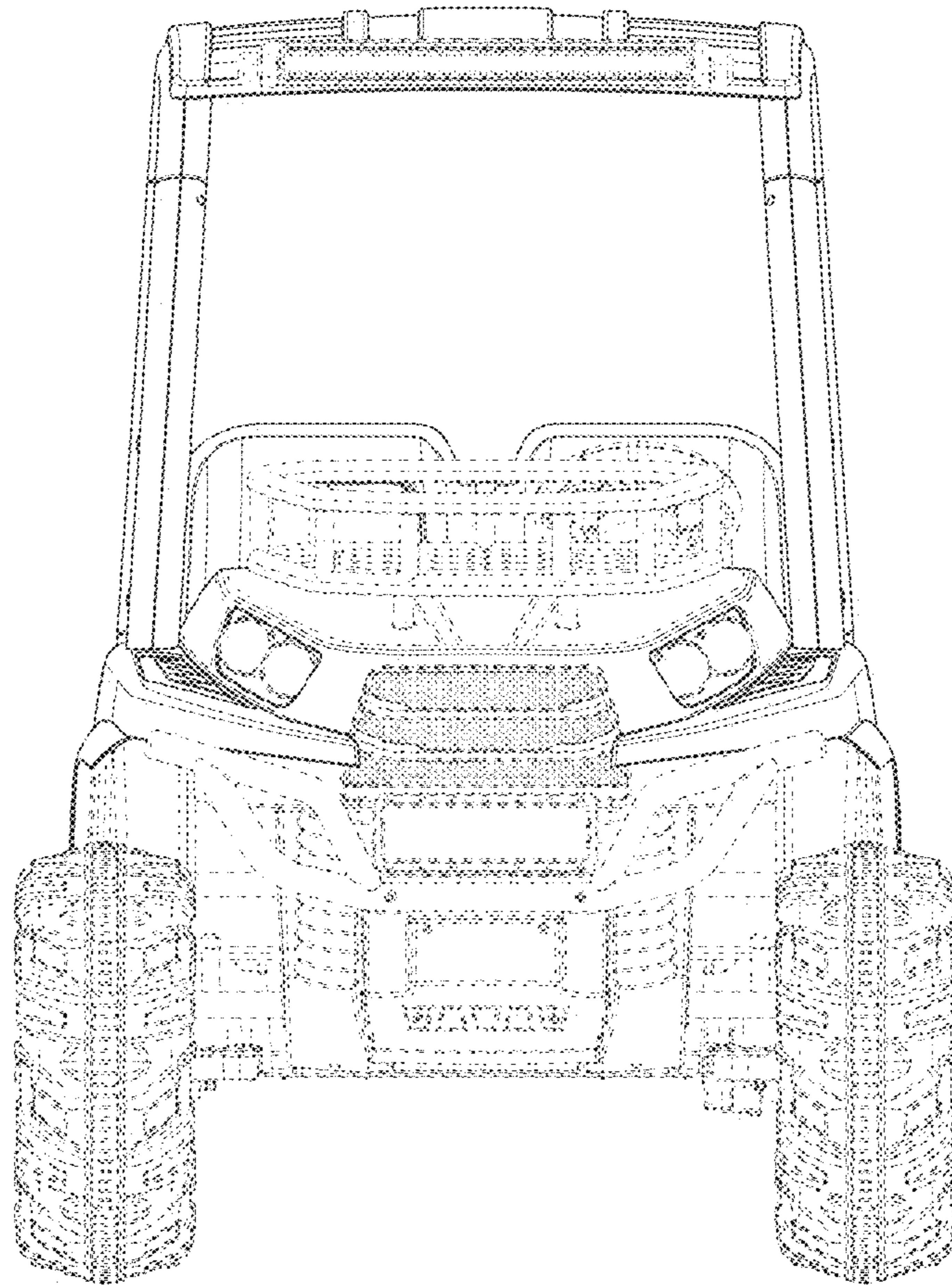


FIG. 3

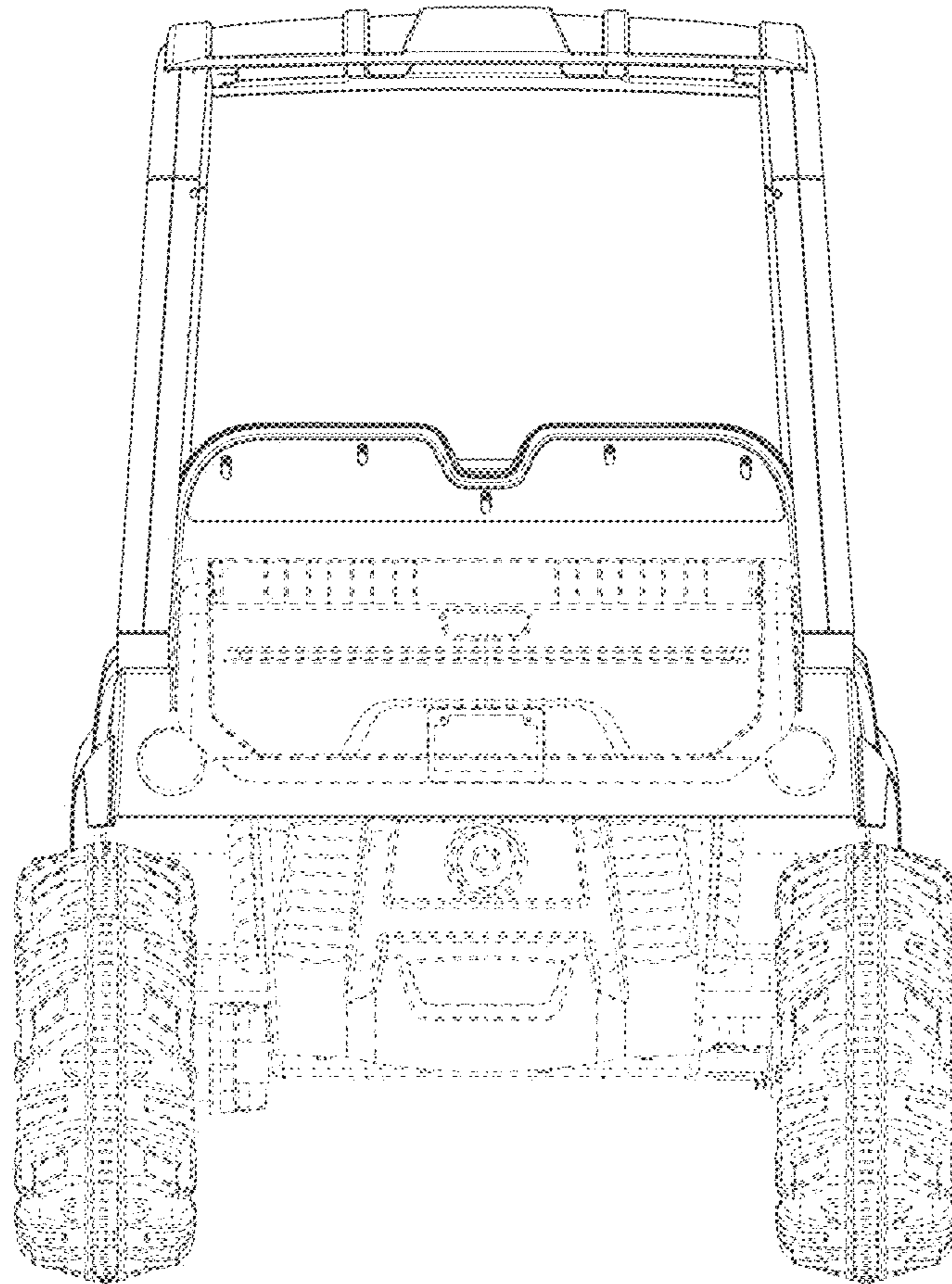


FIG. 4

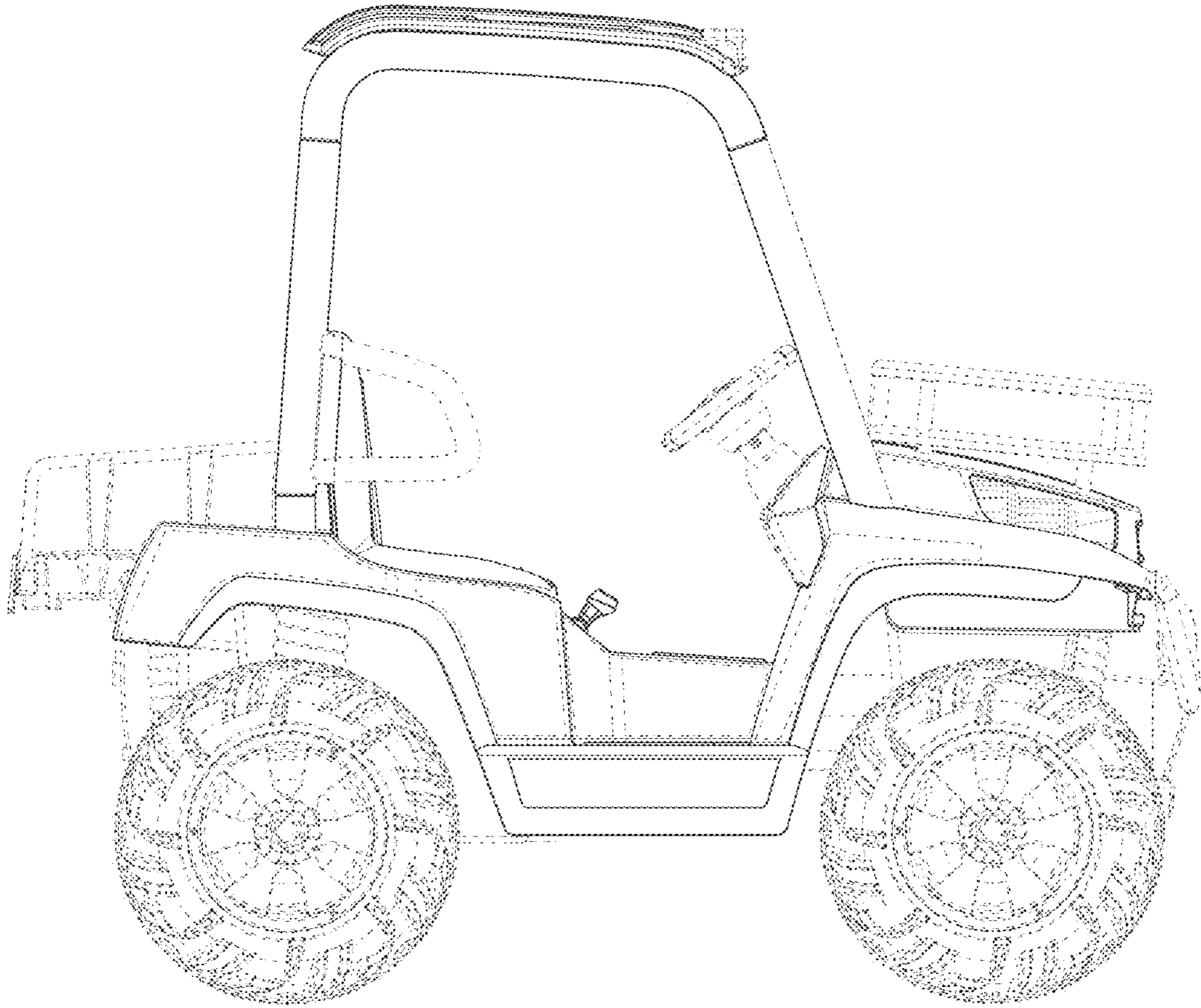


FIG. 5

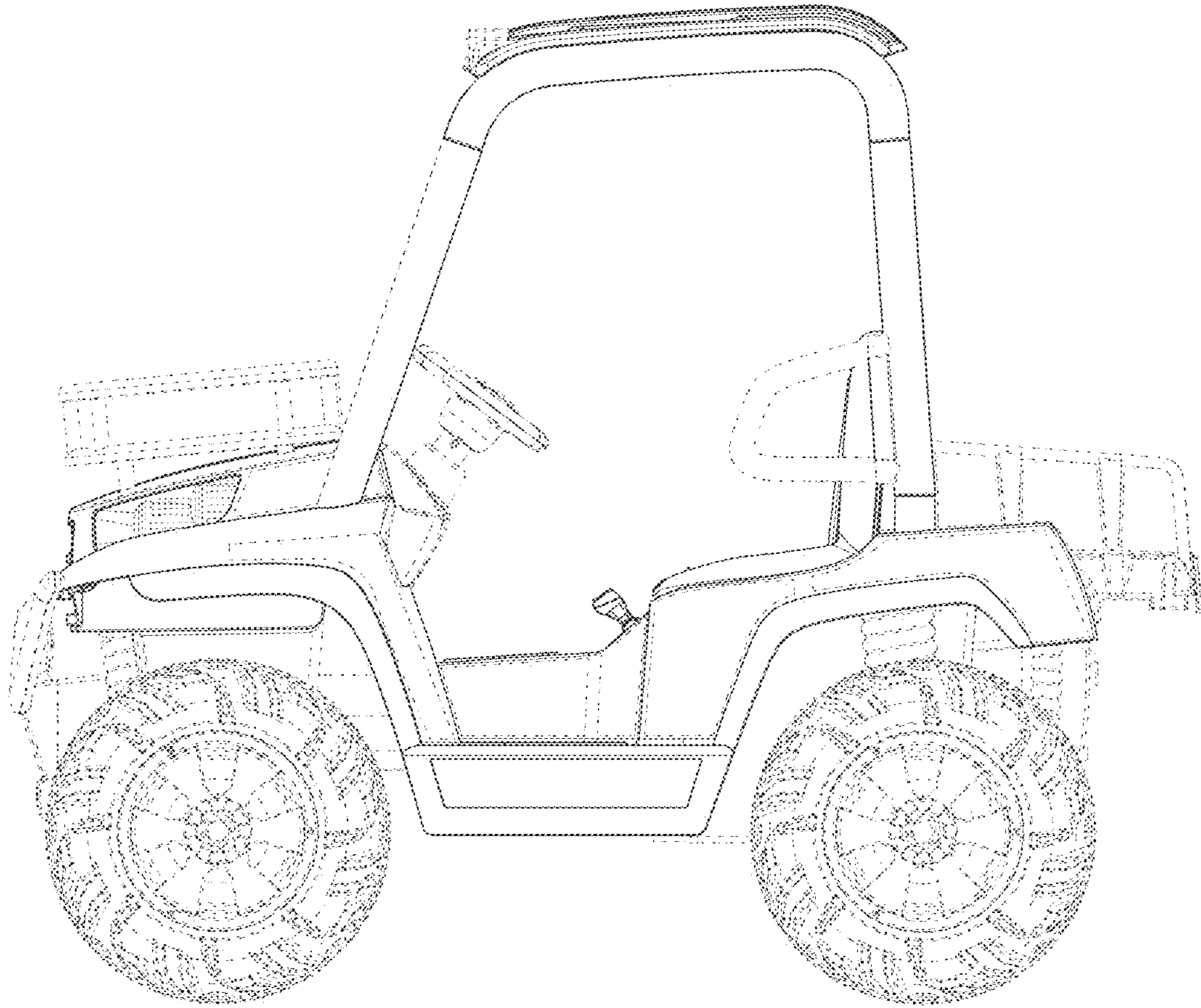


FIG. 6



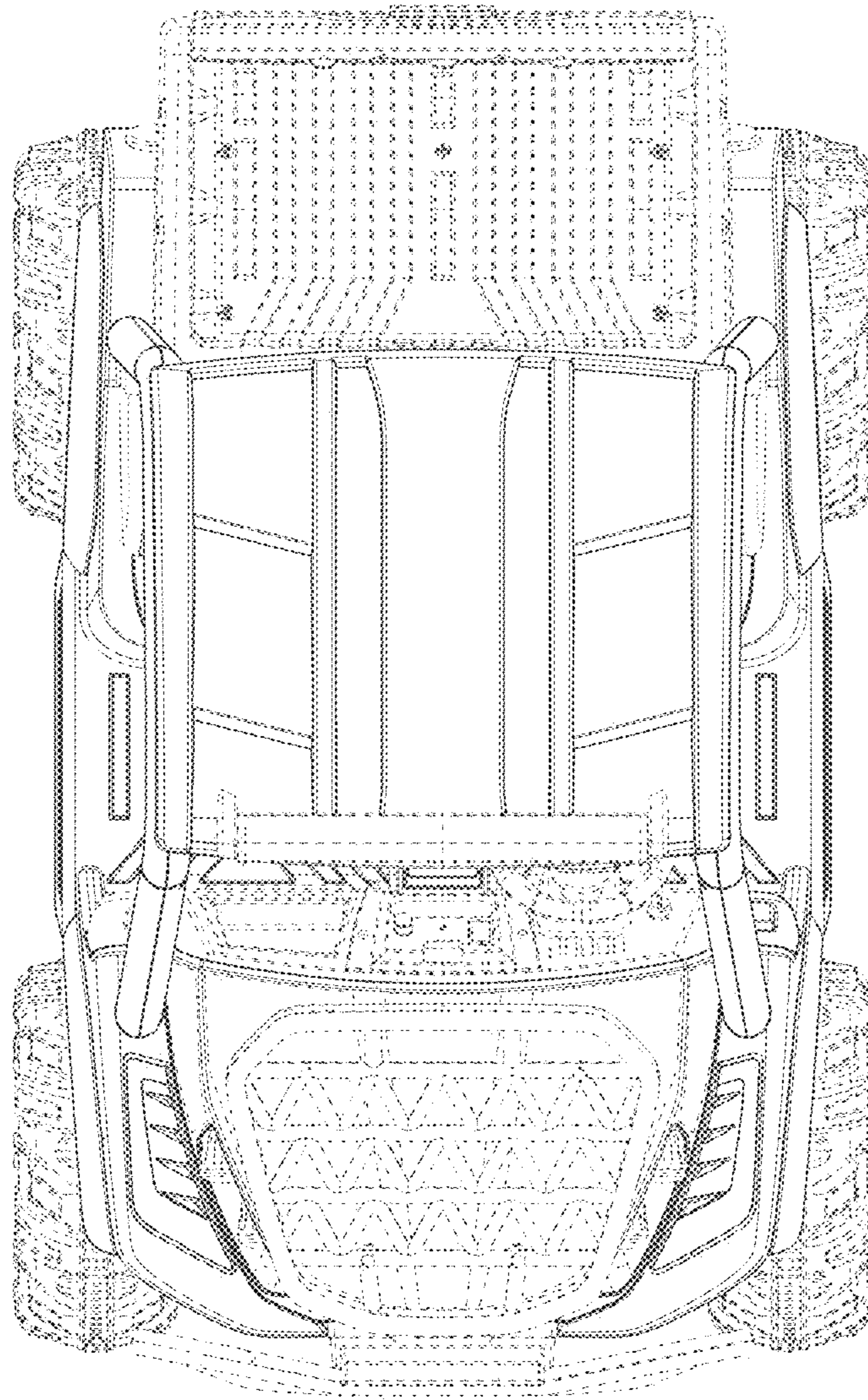


FIG. 7