



US00D882702S

(12) **United States Design Patent**
Talios et al.

(10) **Patent No.:** **US D882,702 S**
(45) **Date of Patent:** **** Apr. 28, 2020**

(54) **UTV RIDE-ON TOY**

(71) Applicant: **Dynacraft BSC, Inc.**, American Canyon, CA (US)

(72) Inventors: **Bill Talios**, Petaluma, CA (US); **John Bisges**, Buford, GA (US); **David Castrucci**, Napa, CA (US)

(73) Assignee: **Dynacraft BSC, Inc.**, Port Wentworth, GA (US)

(**) Term: **15 Years**

(21) Appl. No.: **29/634,321**

(22) Filed: **Jan. 19, 2018**

(51) **LOC (12) Cl.** **21-01**

(52) **U.S. Cl.**
USPC **D21/433; D12/14**

(58) **Field of Classification Search**
USPC D12/14, 85–87; D21/419, 424, 431, 433, D21/533, 548, 559
CPC B62D 23/00; B62D 21/18; B62D 21/183; B62D 24/02; B62D 25/00; B62D 39/00; B62D 49/06; B62D 49/0621; A63H 17/06
See application file for complete search history.

(56) **References Cited**

U.S. PATENT DOCUMENTS

2,233,116 A	2/1941	Voorheis
2,602,266 A	7/1952	Preston
3,039,229 A	6/1962	Cleemput
3,964,767 A	6/1976	Williams
4,173,355 A	11/1979	Perego
4,304,066 A	12/1981	Brand et al.
D262,696 S	1/1982	Perego
4,391,453 A	7/1983	Gläser
4,483,042 A	11/1984	Dieter
D279,493 S	7/1985	Lerch
4,605,243 A	8/1986	Gläser
4,681,331 A	7/1987	Gläser
4,684,148 A	8/1987	Gläser

4,736,648 A 4/1988 Perego
4,739,851 A 4/1988 Perego
4,741,551 A 5/1988 Perego
(Continued)

OTHER PUBLICATIONS

Blain's Farm and Fleet, "Double HH Hitch Pin," <<https://www.farmandfleet.com/products/g-1470-double-hh-hitch-pin.html>> webpage accessed Aug. 22, 2017.

(Continued)

Primary Examiner — Cynthia M. Chin

(74) *Attorney, Agent, or Firm* — Michael Best & Friedrich LLP

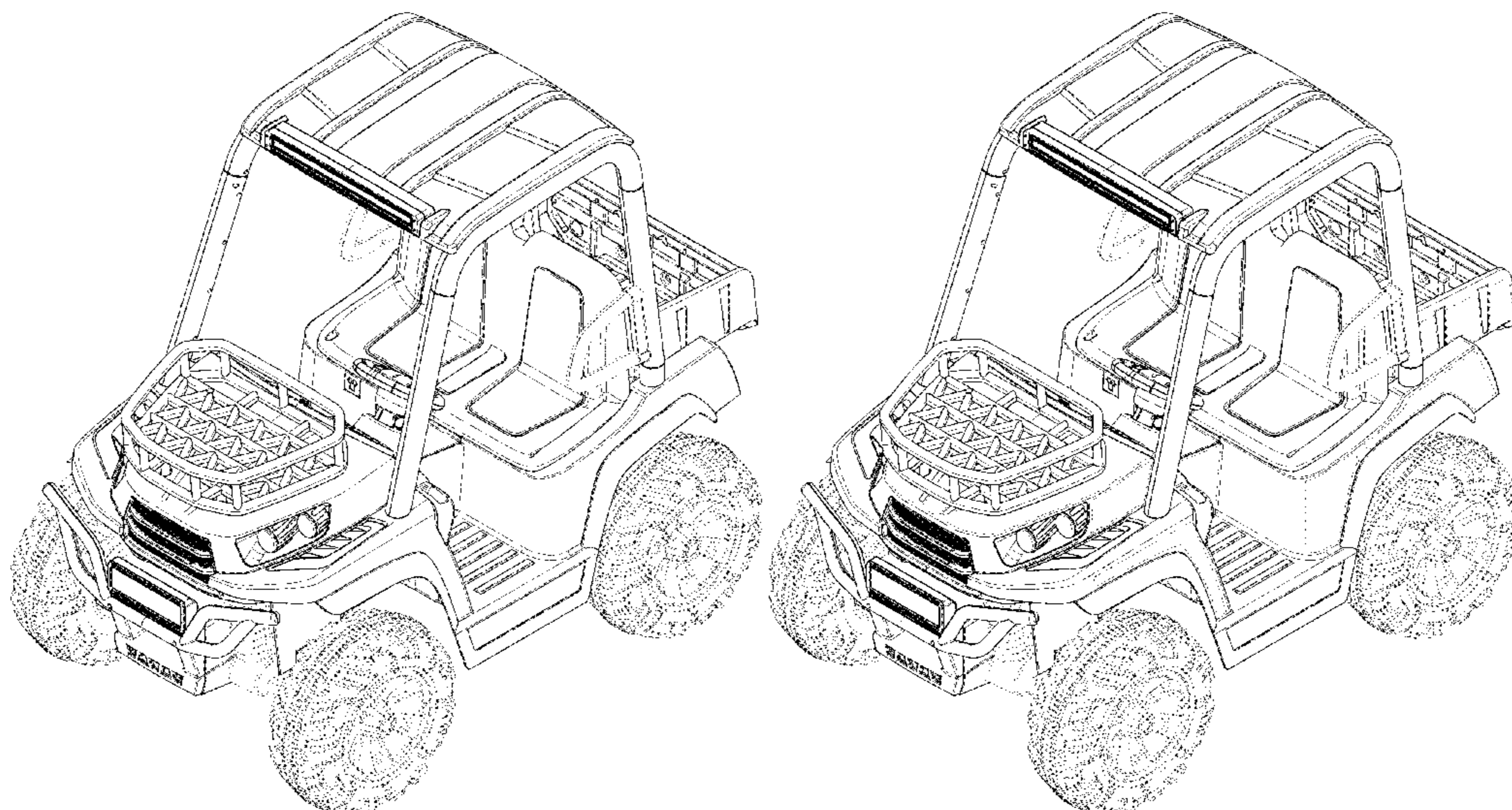
(57) **CLAIM**

The ornamental design for a UTV ride-on toy, as shown and described.

DESCRIPTION

FIG. 1 is a front perspective view of an embodiment of the design;
FIG. 2 is a rear perspective view of FIG. 1;
FIG. 3 is a front elevational view of FIG. 1;
FIG. 4 is a rear elevational view of FIG. 1;
FIG. 5 is a left-side elevational view of FIG. 1;
FIG. 6 is a right-side elevational view of FIG. 1;
FIG. 7 is a top plan view of FIG. 1;
FIG. 8 is a front perspective view of a second embodiment of the design;
FIG. 9 is a rear perspective view of FIG. 8;
FIG. 10 is a front elevational view of FIG. 8;
FIG. 11 is a rear elevational view of FIG. 8;
FIG. 12 is a left-side elevational view of FIG. 8;
FIG. 13 is a right-side elevational view of FIG. 8; and,
FIG. 14 is a top plan view of FIG. 8.
The broken lines show portions of the UTV ride-on toy that form no part of the claimed design.

1 Claim, 14 Drawing Sheets



(56)

References Cited

U.S. PATENT DOCUMENTS

D296,540 S 7/1988 Perego
 4,770,437 A 9/1988 Gläser
 4,819,958 A 4/1989 Perego
 5,173,591 A 12/1992 Perego
 D333,060 S 2/1993 Perego
 5,199,733 A 4/1993 Delorme
 5,409,263 A * 4/1995 Klawitter A63H 17/06
 280/263
 5,434,494 A 7/1995 Perego
 5,558,351 A 9/1996 Hunter
 5,669,664 A 9/1997 Perego
 D386,911 S 12/1997 Perego
 5,707,104 A 1/1998 Perego
 5,749,627 A 5/1998 Perego
 D410,502 S * 6/1999 Harrod D21/433
 5,924,506 A 7/1999 Perego
 D436,141 S * 1/2001 Lerch D21/433
 6,193,261 B1 2/2001 Hahka
 6,318,807 B1 11/2001 Perego
 6,568,894 B2 5/2003 Golden et al.
 6,692,015 B2 2/2004 Perego
 D489,776 S 5/2004 Hoeting
 6,786,795 B1 9/2004 Mullaney et al.
 6,854,800 B2 2/2005 Perego
 7,207,588 B2 4/2007 Bergum et al.
 D589,397 S * 3/2009 Tuo D12/1
 D595,613 S * 7/2009 Lai D12/14
 D603,754 S * 11/2009 Tuo D12/16
 7,950,486 B2 * 5/2011 Van Bronkhorst .. B60G 15/063
 180/89.11

8,079,602 B2 * 12/2011 Kinsman B60G 15/063
 280/5.512
 8,360,460 B1 1/2013 Jarvis
 8,585,073 B2 11/2013 Smoot
 8,678,053 B2 3/2014 Harris
 D712,309 S 9/2014 Wu et al.
 D714,186 S 9/2014 Wu et al.
 8,997,908 B2 * 4/2015 Kinsman B62D 21/183
 180/89.1
 D730,651 S 6/2015 Perego
 D735,077 S * 7/2015 Sato D12/87
 D756,845 S 5/2016 Flores
 D764,974 S * 8/2016 Mikhailov D12/14
 9,643,672 B2 5/2017 Kettler
 D800,015 S * 10/2017 Lyons D12/16
 D810,619 S * 2/2018 Hashimoto D12/14
 D814,347 S * 4/2018 Kushita D12/14
 D852,674 S * 7/2019 Wilcox D12/87
 2007/0214818 A1 9/2007 Nakamura
 2008/0164679 A1 7/2008 Macdougall
 2010/0317485 A1 * 12/2010 Gillingham B60K 1/04
 477/7
 2012/0032465 A1 2/2012 Morita et al.
 2015/0076854 A1 3/2015 Salamon
 2017/0001508 A1 1/2017 Bessho et al.
 2017/0029036 A1 2/2017 Proulx et al.

OTHER PUBLICATIONS

Target, "Peg Perego John Deere Adventure Trailer for Gator,"
 <<https://www.target.com/p/peg-perego-john-deere-adventure-trailer-for-gator/-/A-17147092>> webpage accessed Aug. 22, 2017.

* cited by examiner

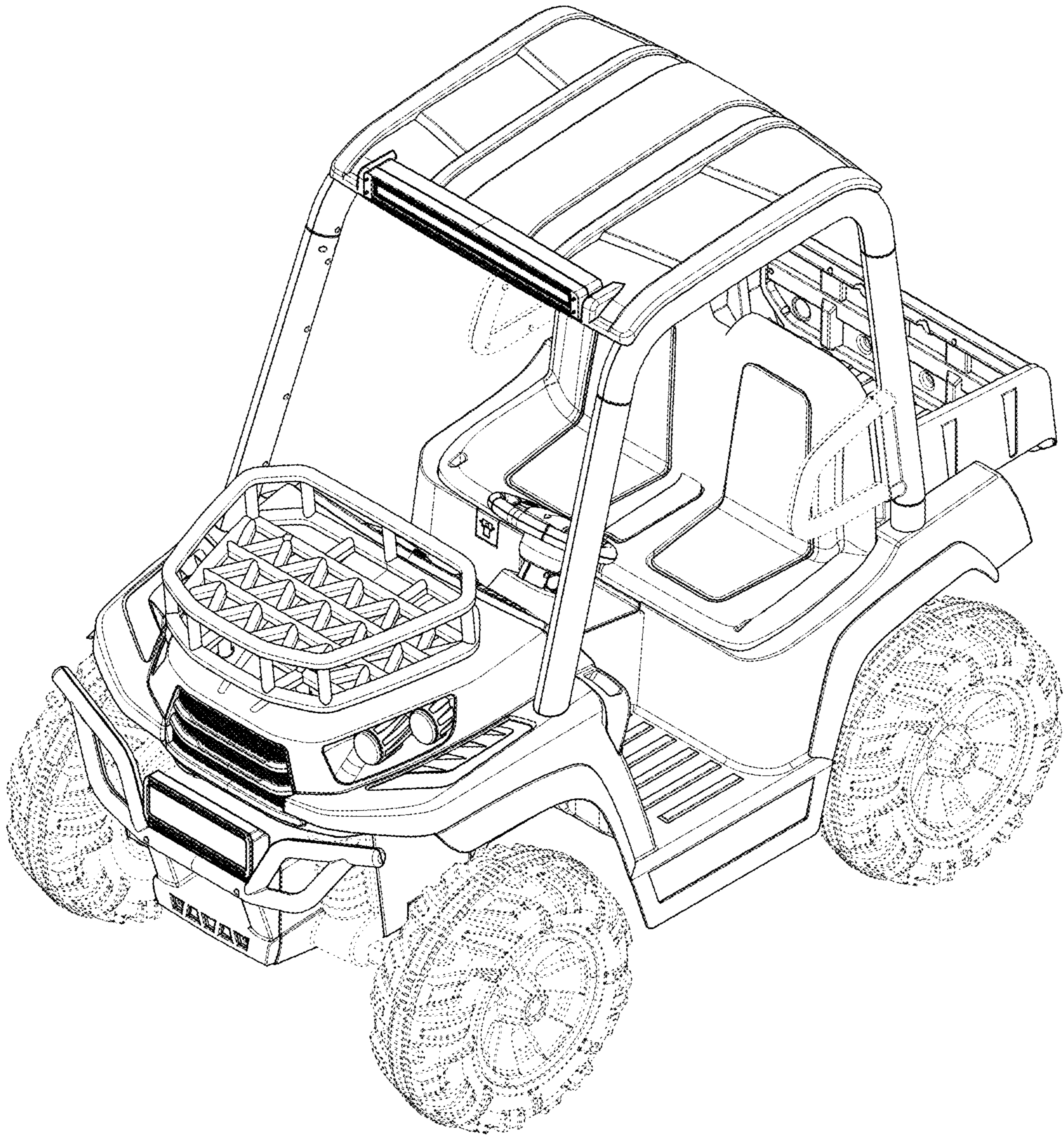


FIG. 1

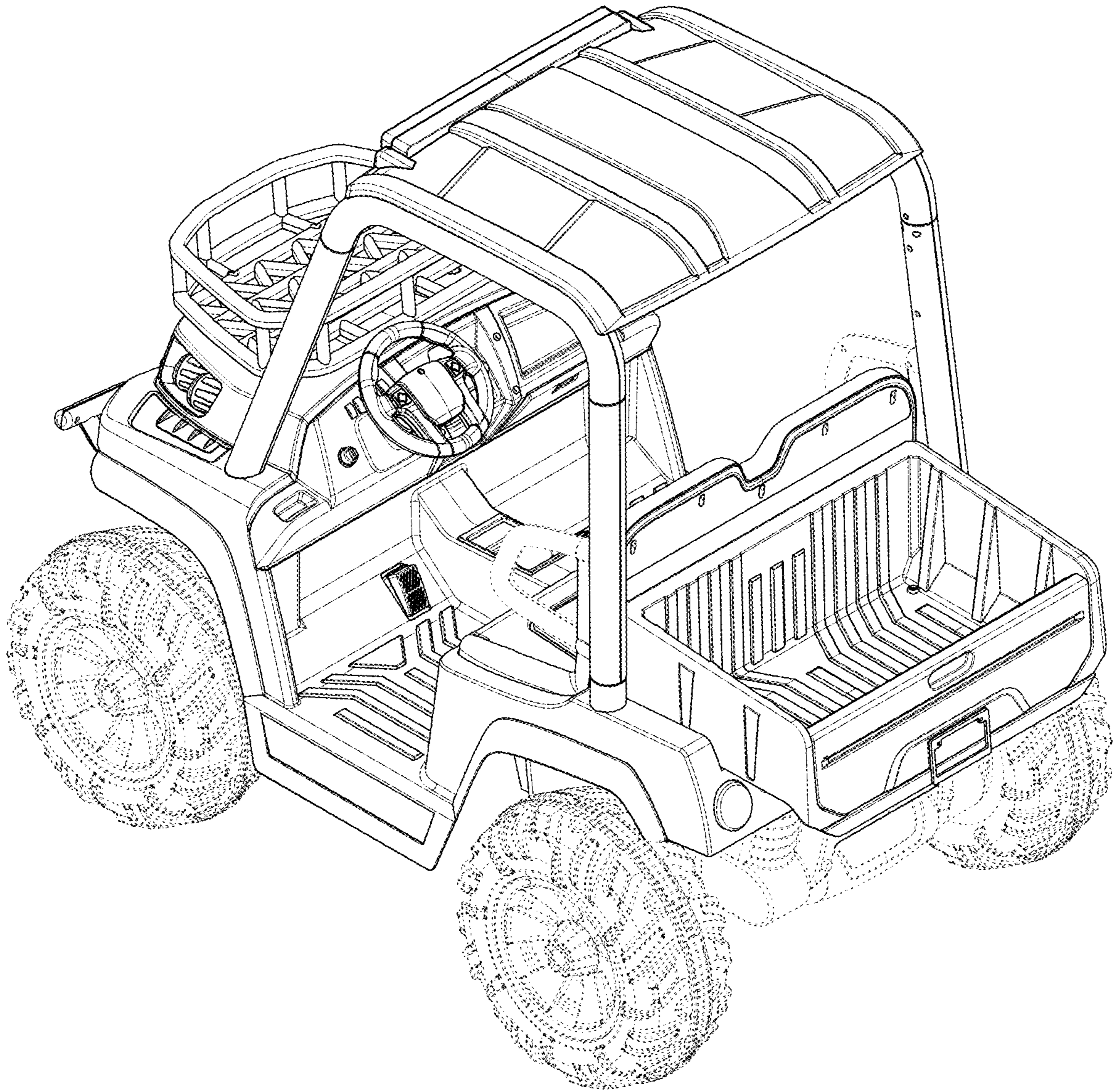


FIG. 2

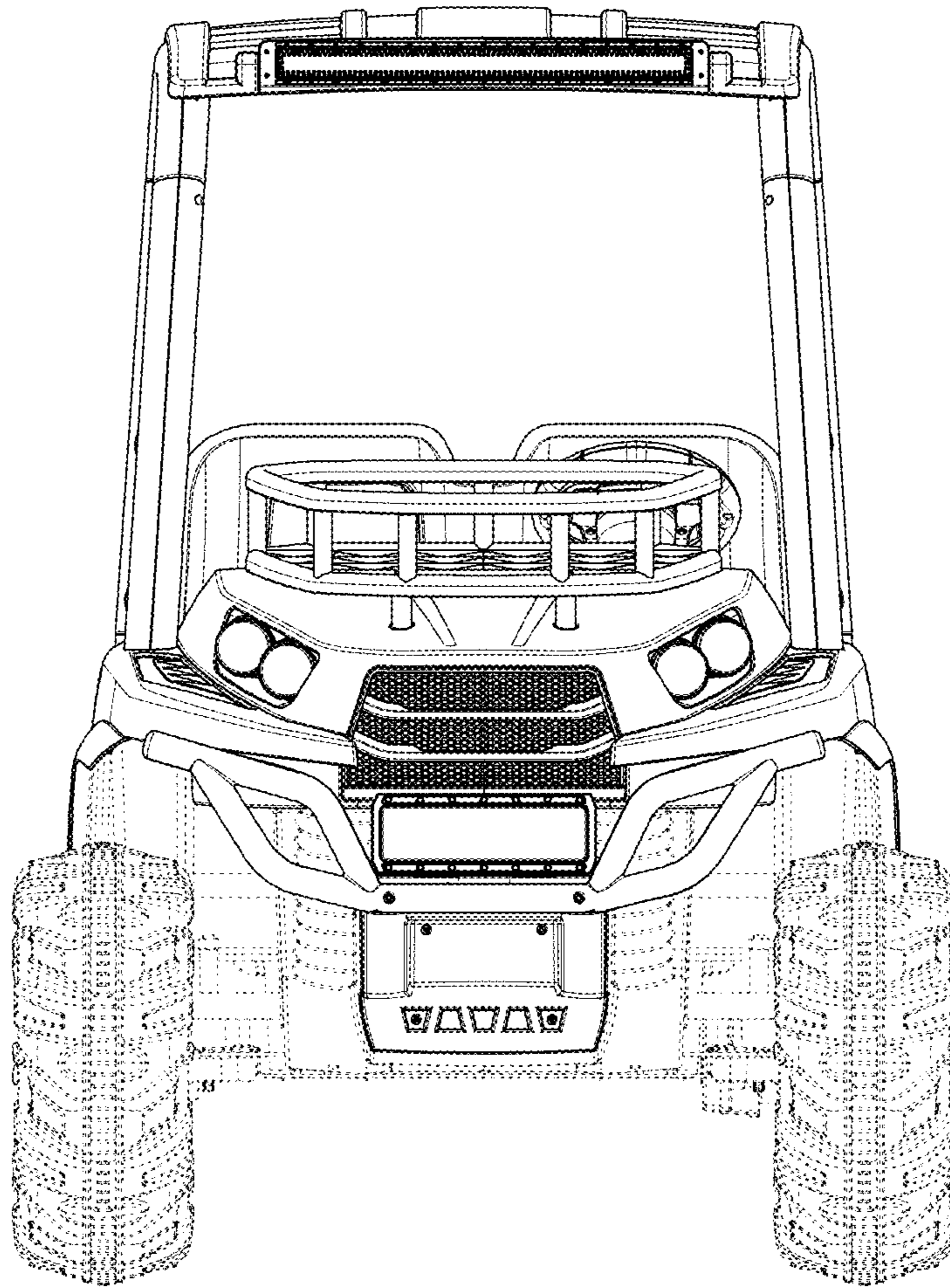


FIG. 3

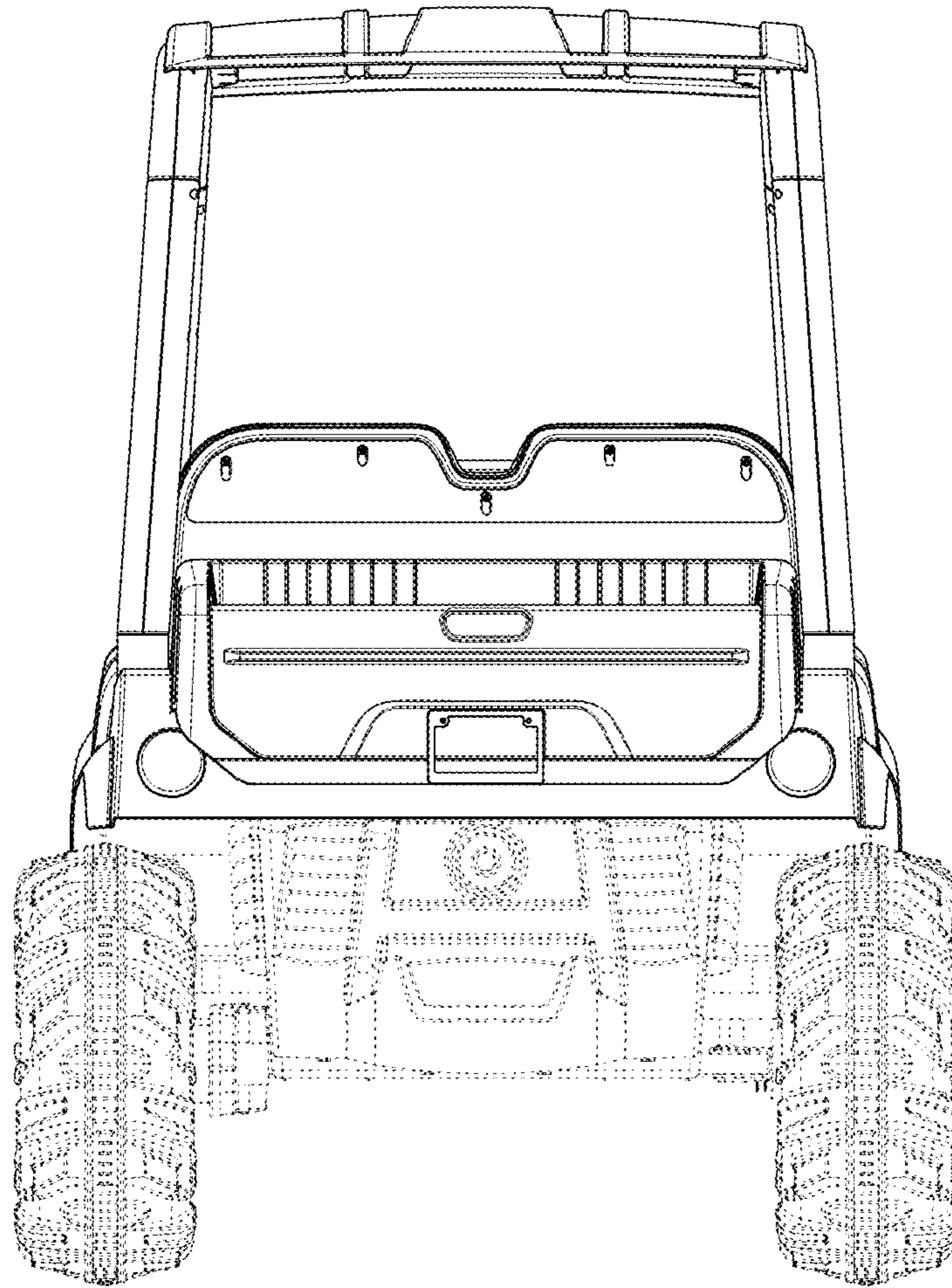


FIG. 4

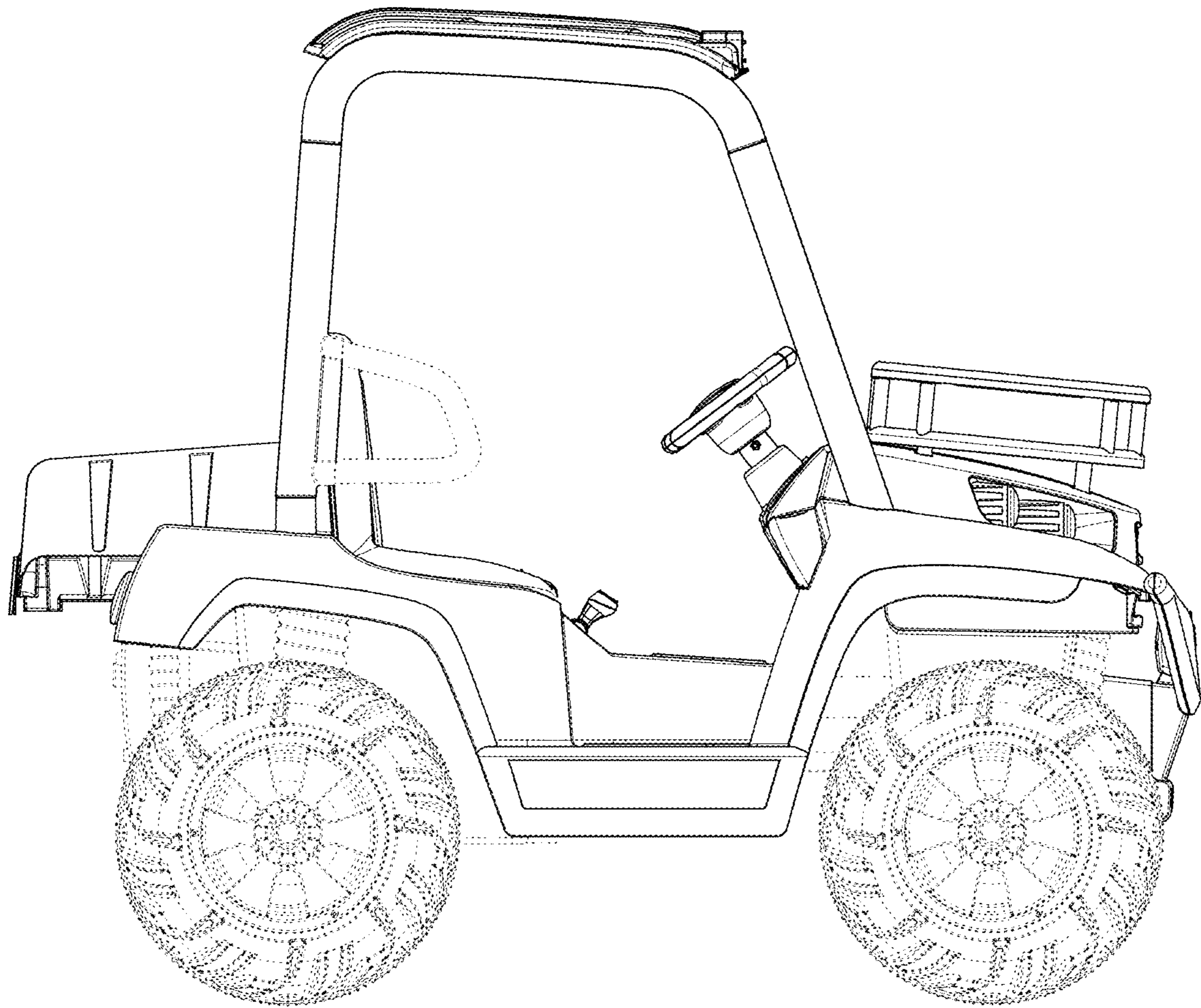


FIG. 5

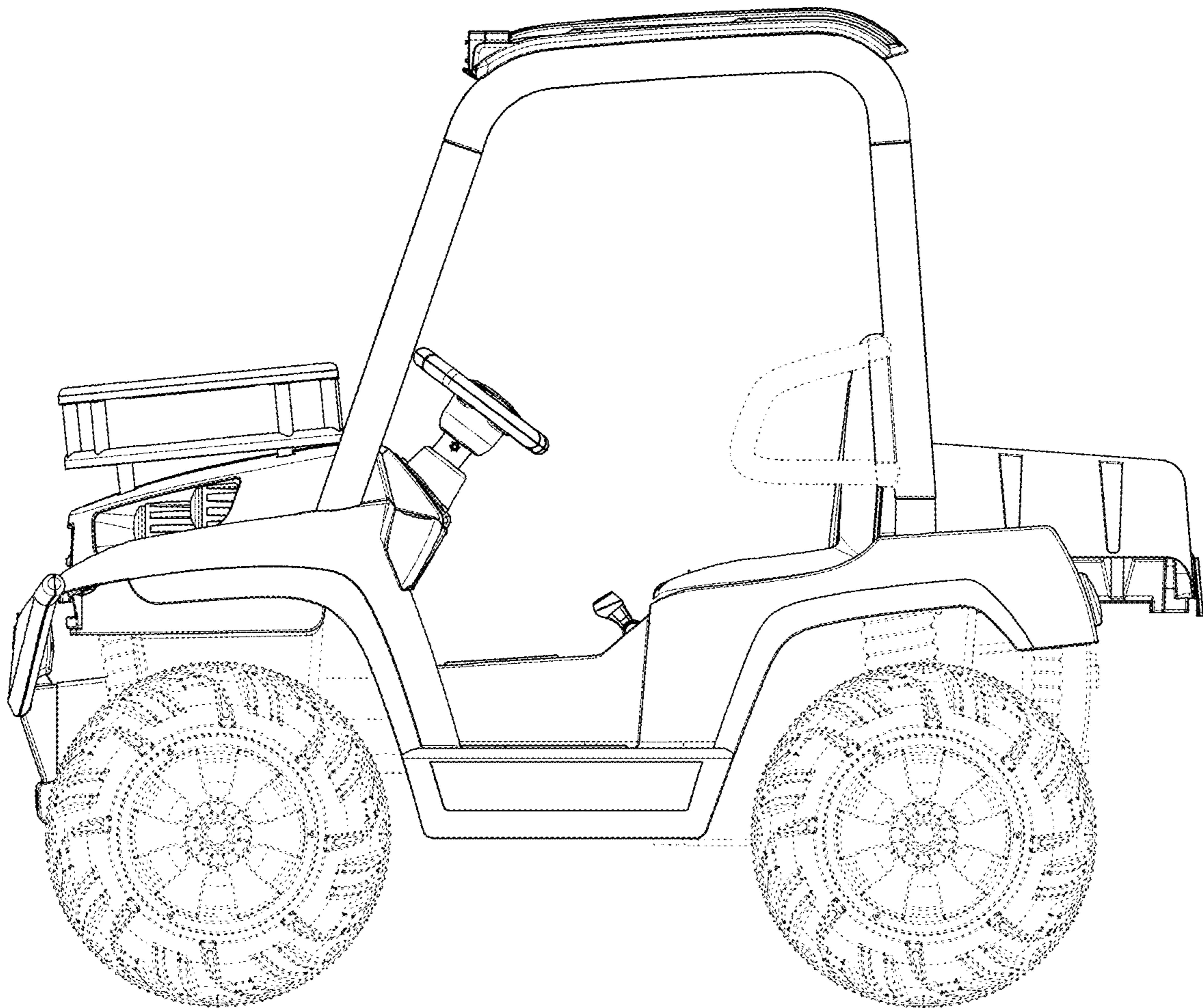


FIG. 6

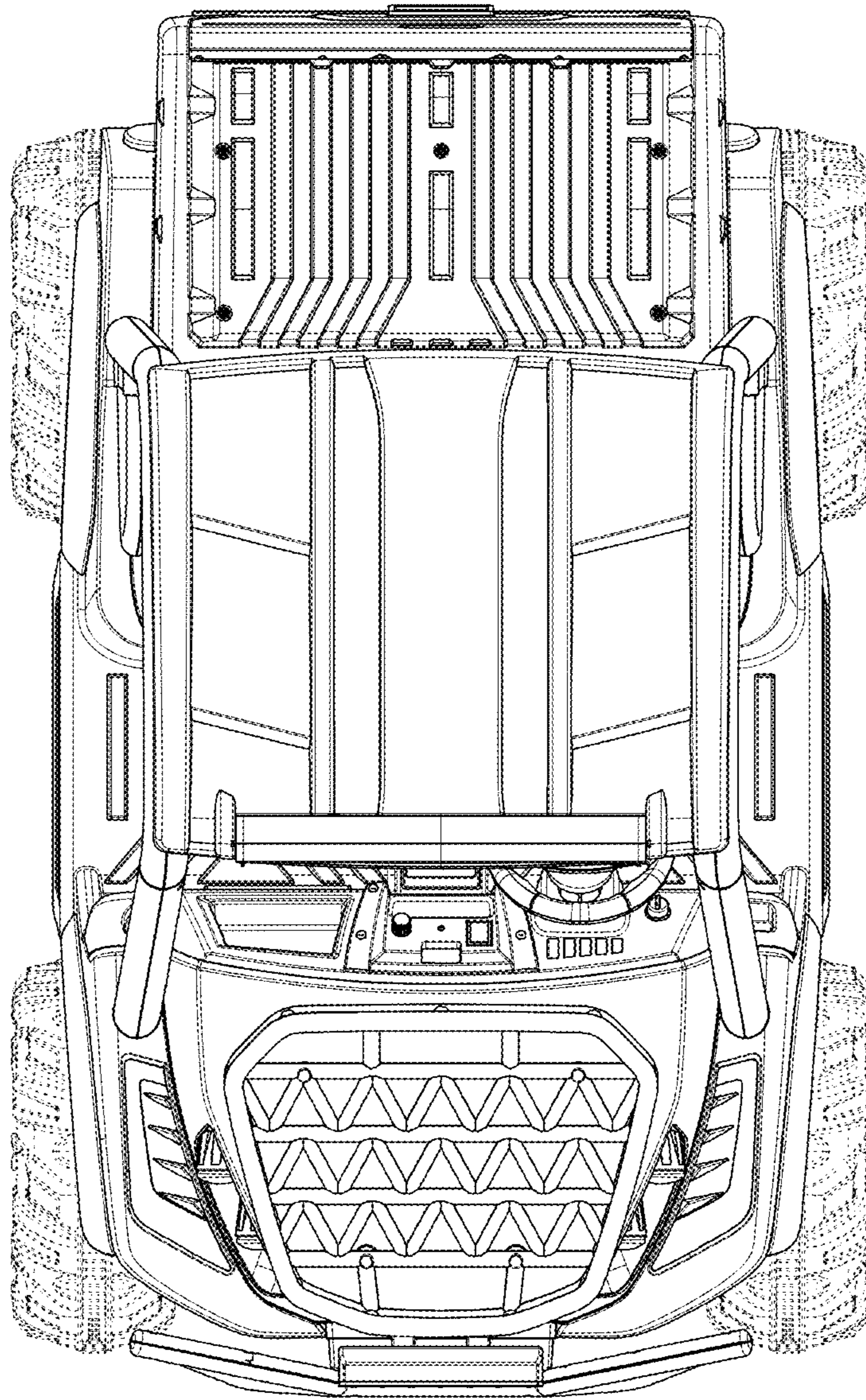


FIG. 7

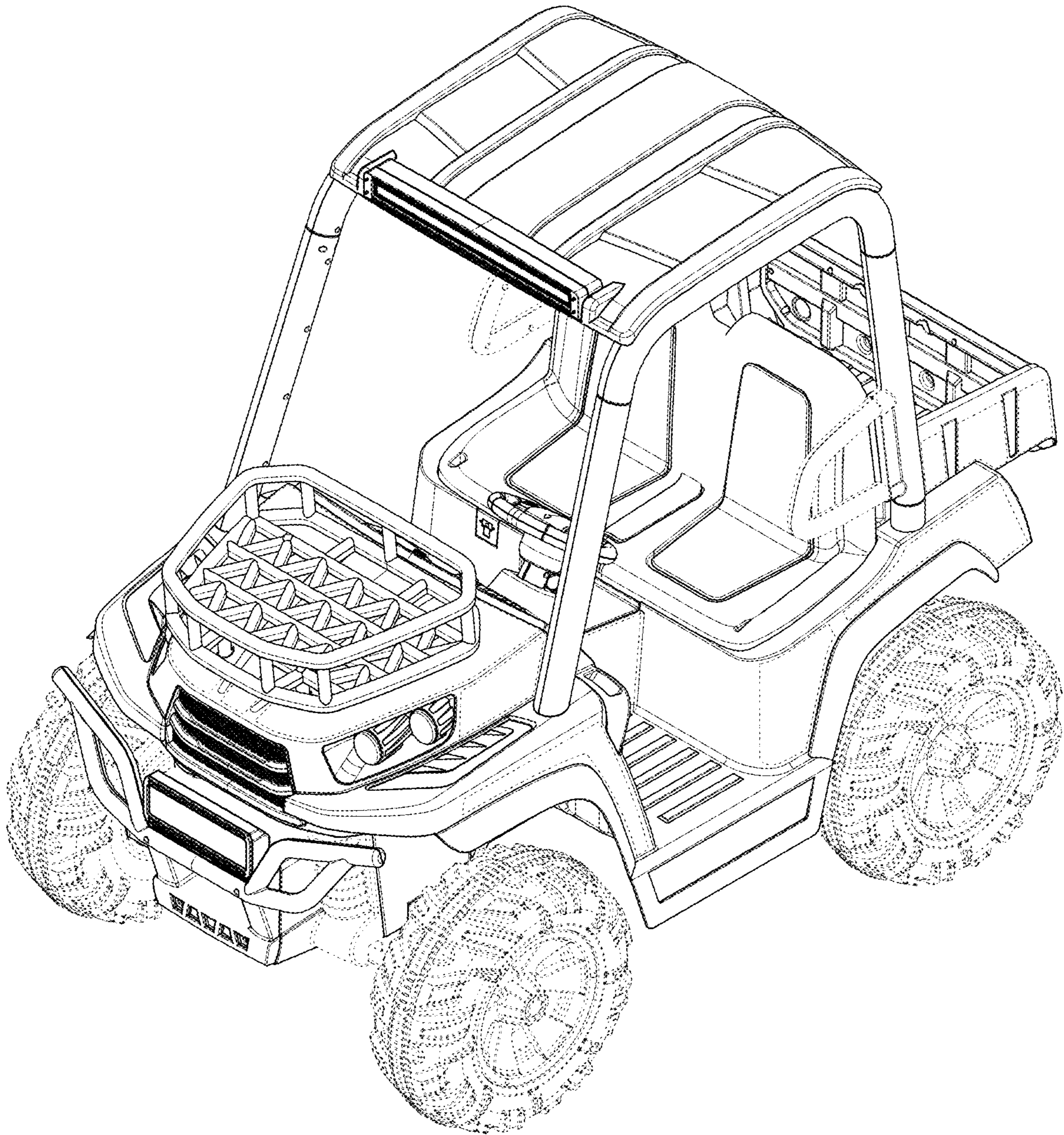


FIG. 8

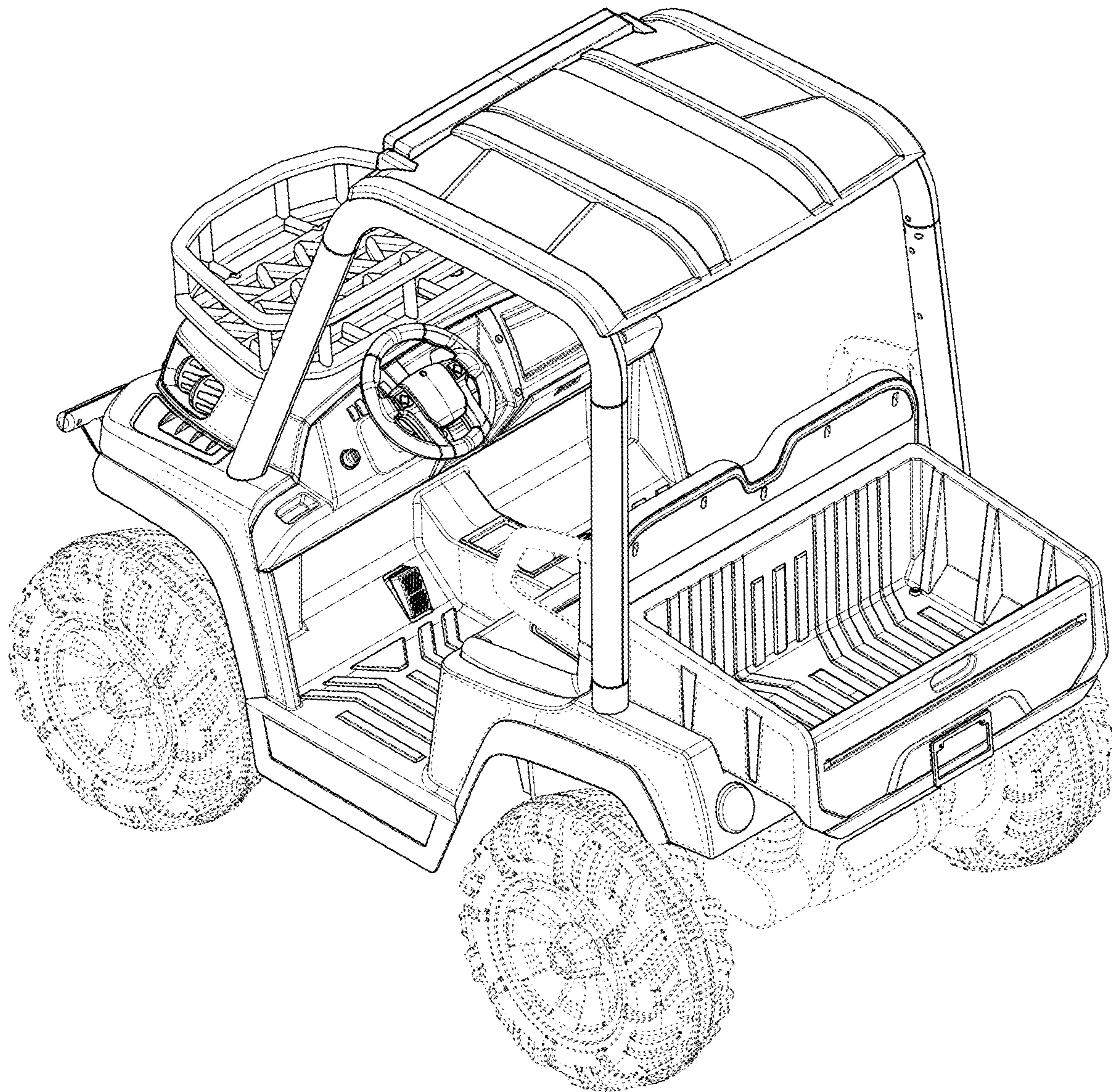


FIG. 9

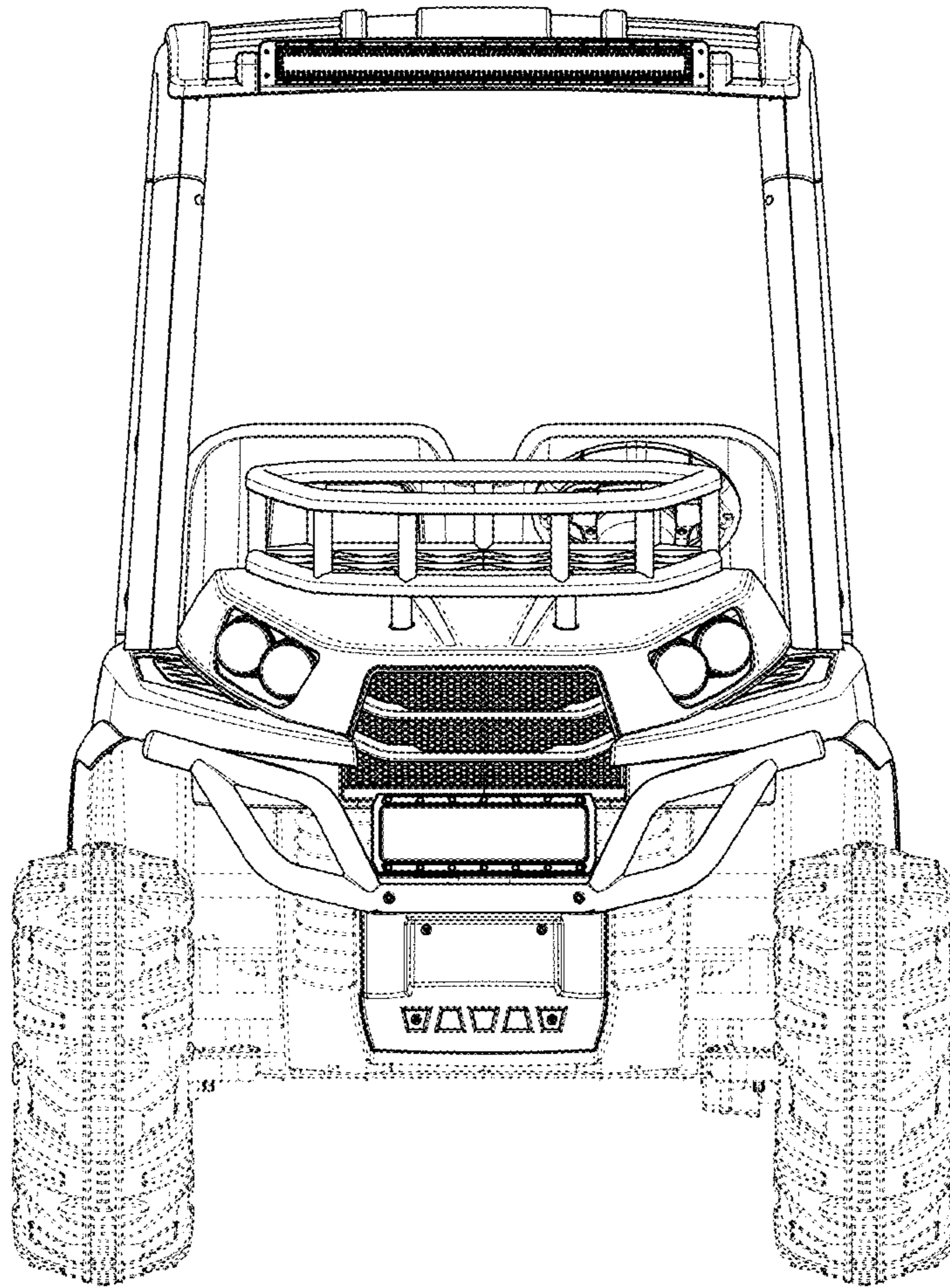


FIG. 10

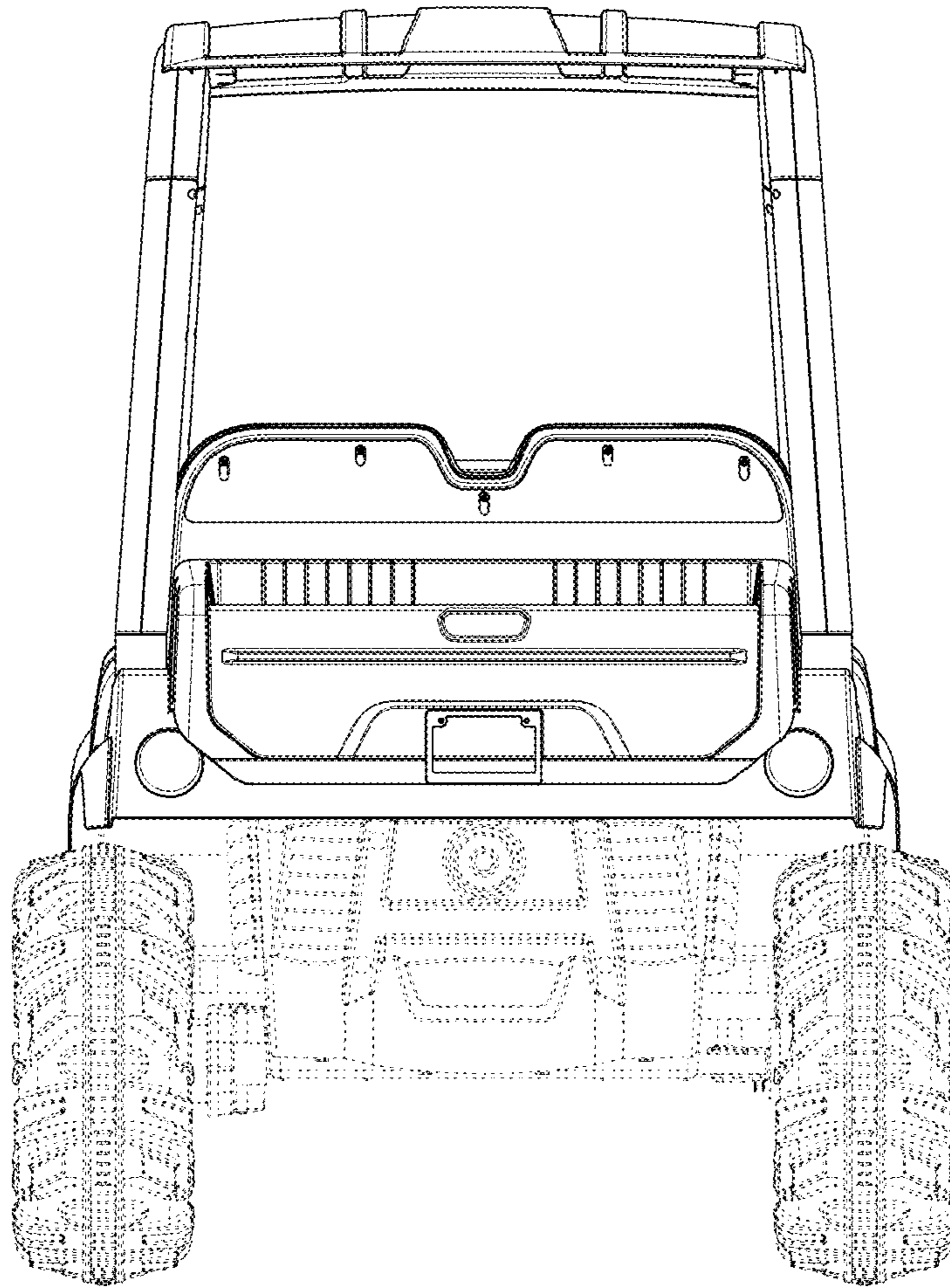


FIG. 11

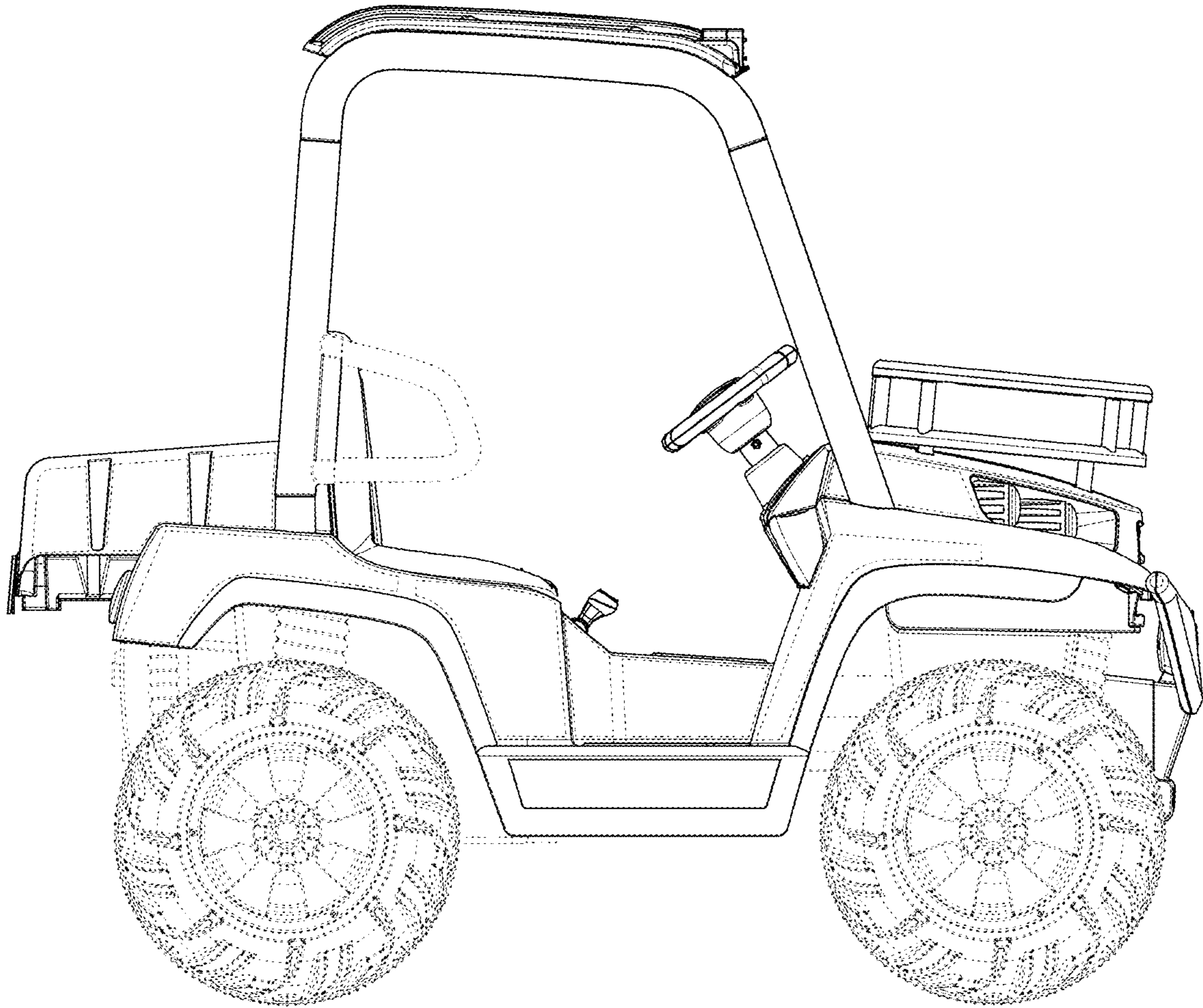


FIG. 12

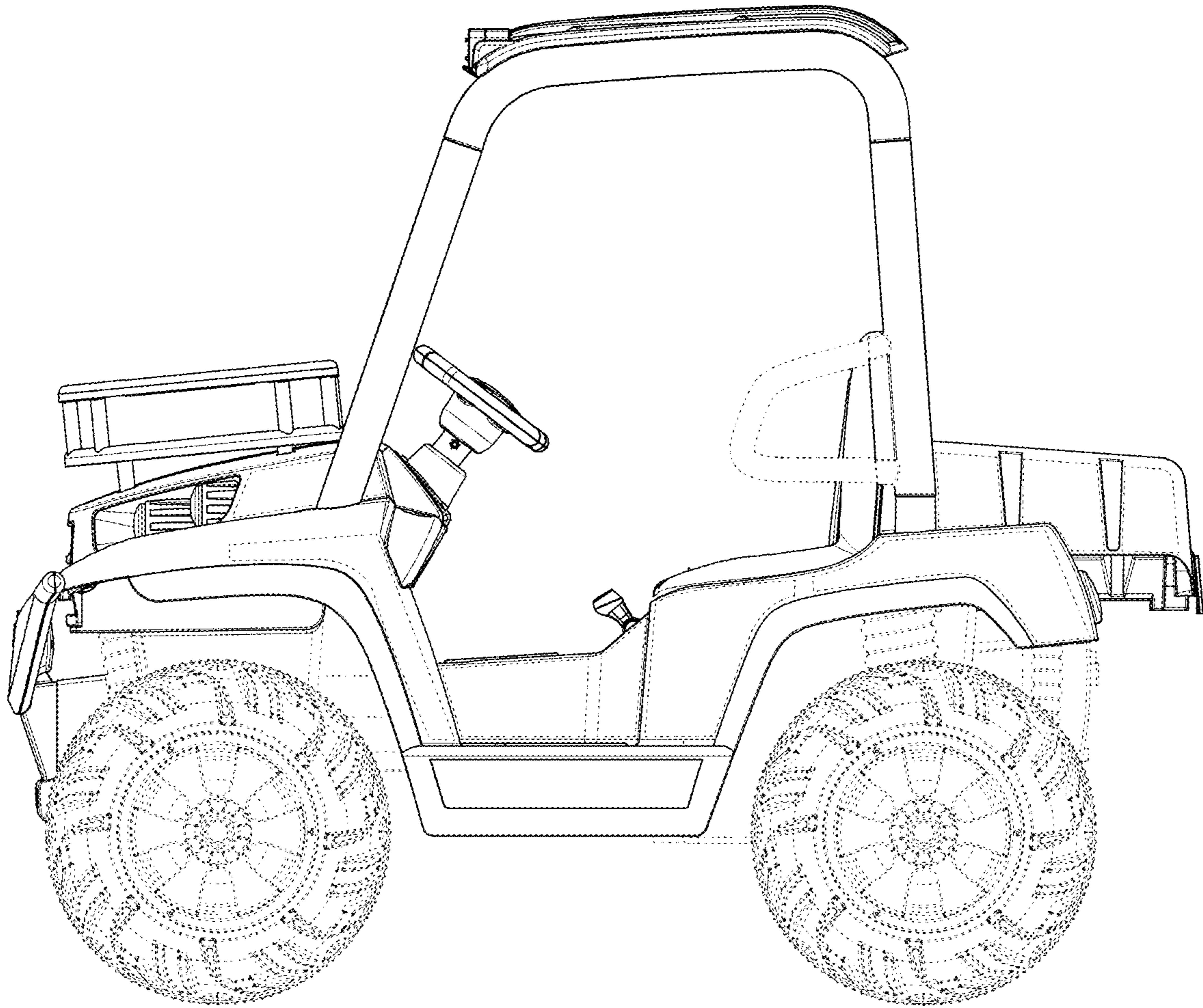


FIG. 13

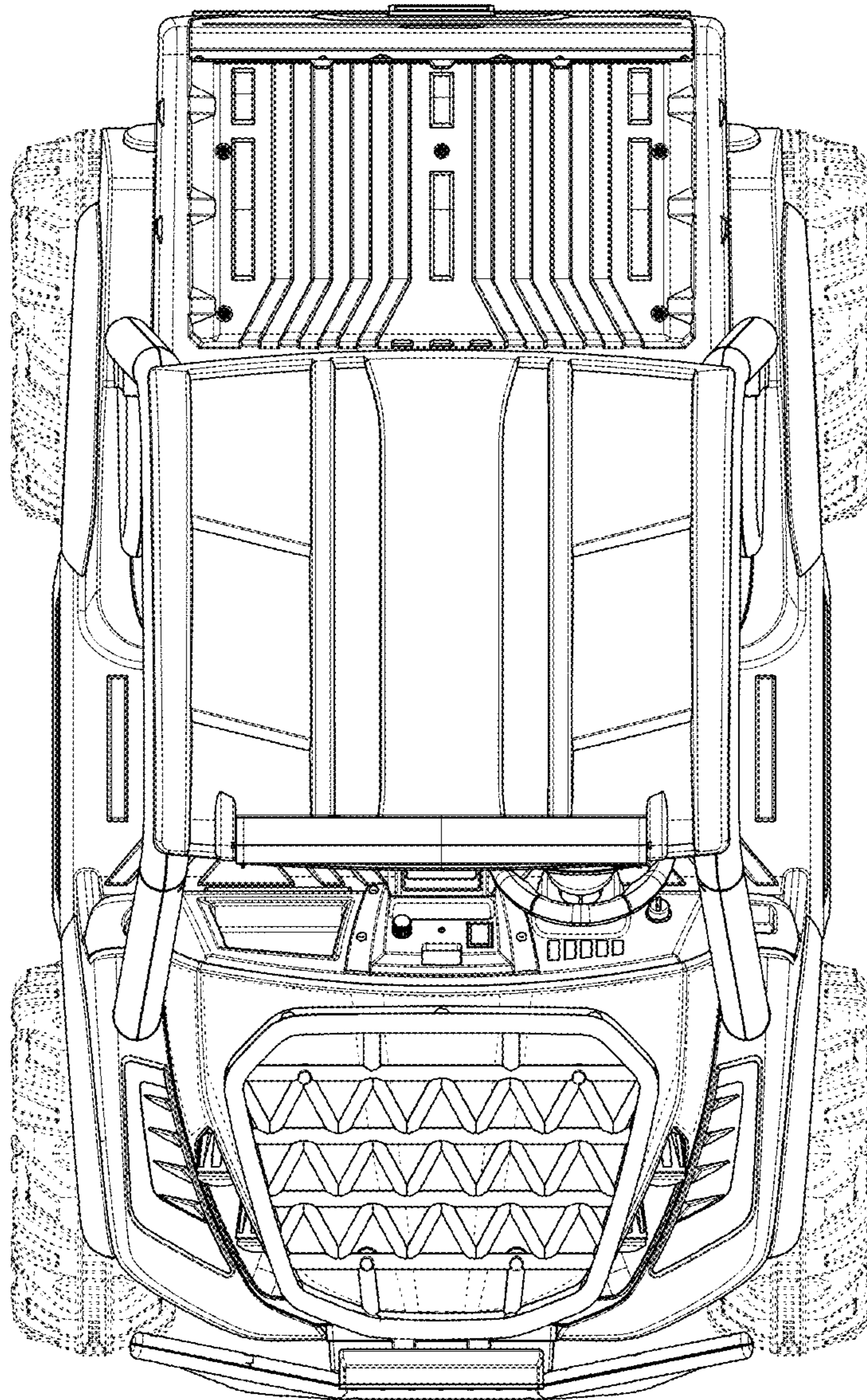


FIG. 14