



US00D882699S

(12) **United States Design Patent** (10) **Patent No.:** **US D882,699 S**
Bernard et al. (45) **Date of Patent:** **** Apr. 28, 2020**

(54) **GAMING MACHINE CAROUSEL DISPLAY**
(71) Applicant: **BALLY GAMING, INC.**, Las Vegas, NV (US)
(72) Inventors: **Vernon Bernard**, Las Vegas, NV (US); **Karl Wudtke**, Las Vegas, NV (US)
(73) Assignee: **SG Gaming, Inc.**, Las Vegas, NV (US)

4,861,037 A 8/1989 Oursler
4,960,117 A 10/1990 Moncrief et al.
4,981,298 A 1/1991 Lawlor et al.
D315,110 S 3/1991 Slater
5,015,189 A 5/1991 Wenzinger
D318,660 S 7/1991 Weber

(Continued)

FOREIGN PATENT DOCUMENTS

EP 649 671 A1 4/1995
JP 03210172 B2 9/2001

(Continued)

(**) Term: **15 Years**

(21) Appl. No.: **29/600,744**

(22) Filed: **Apr. 14, 2017**

(51) **LOC (12) Cl.** **21-01**

(52) **U.S. Cl.**
USPC **D21/385**

(58) **Field of Classification Search**
USPC D21/324, 325, 329, 330, 331, 332, 333,
D21/385; D14/496, 125, 126, 127, 128,
D14/129, 133, 217, 239; D26/118, 119,
D26/120, 121, 122
CPC G06F 1/1601; G06F 1/1603; G06F 1/1605;
G06F 1/1647; G06F 1/1652
See application file for complete search history.

OTHER PUBLICATIONS

Product Sheet for "American Eagle," Eagle Co. Ltd., 1997 (2 pages).

(Continued)

Primary Examiner — George D. Kirschbaum
Assistant Examiner — Joseph J Kukella
(74) *Attorney, Agent, or Firm* — Banner & Witcoff, Ltd.

(57) **CLAIM**

The ornamental design for a gaming machine carousel display, as shown and described.

DESCRIPTION

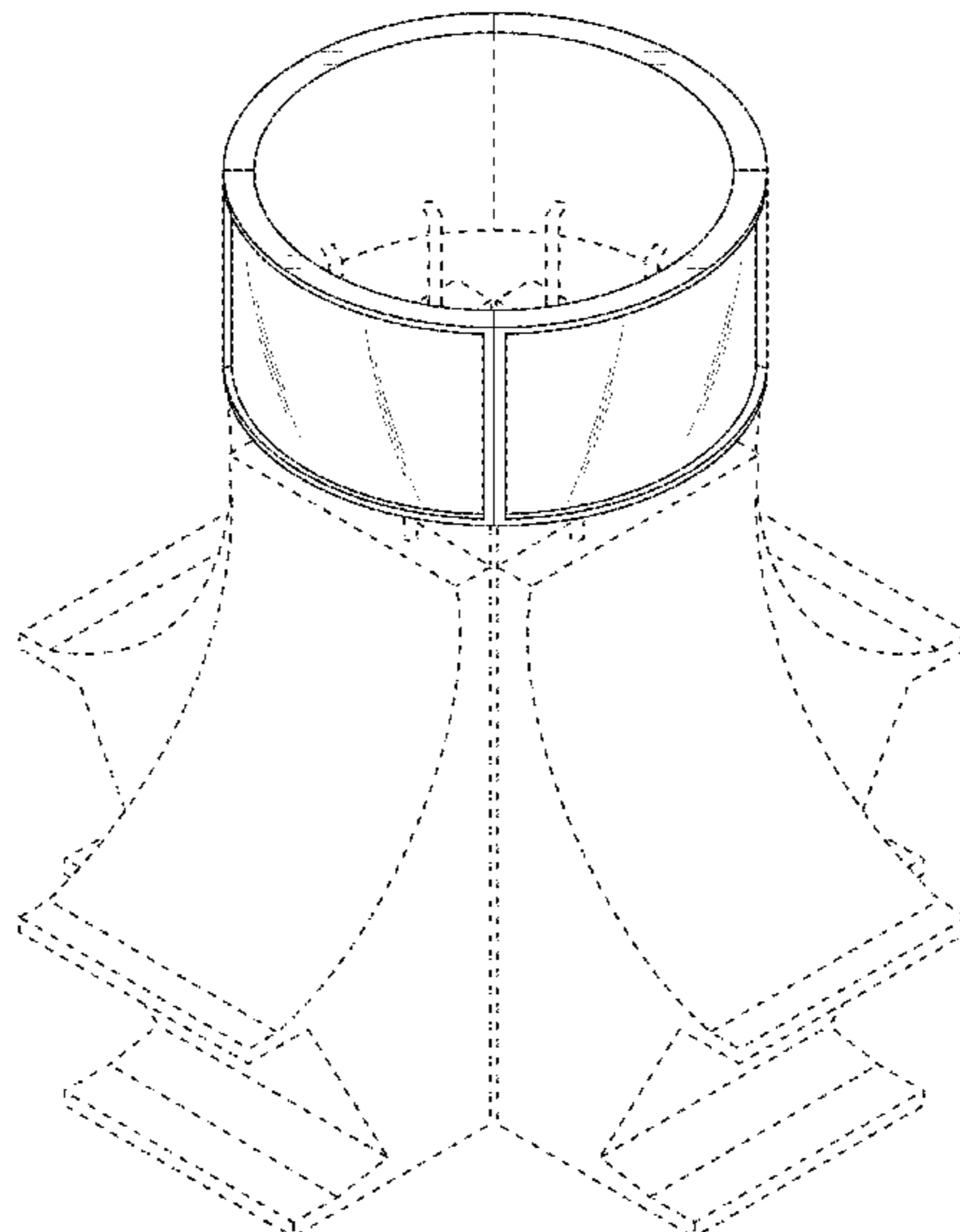
FIG. 1 is a front perspective view of a gaming machine carousel display showing our new design;
FIG. 2 is a front view thereof;
FIG. 3 is a rear view thereof;
FIG. 4 is a right side view thereof;
FIG. 5 is a left side view thereof;
FIG. 6 is a top view thereof; and,
FIG. 7 is a bottom view thereof.
The broken line showing of the remainder of the gaming machine represents unclaimed subject matter and forms no part of the claimed design.

(56) **References Cited**

U.S. PATENT DOCUMENTS

2,661,954 A 12/1953 Koci
D236,720 S 9/1975 Baker
D238,379 S 1/1976 Miller
4,046,419 A 9/1977 Schmitt
D264,485 S 5/1982 Kitchen
4,372,557 A 2/1983 Del Principe et al.
4,373,725 A 2/1983 Ritchie
D275,772 S 10/1984 Akopian et al.
D280,835 S 10/1985 Berge et al.
D280,836 S 10/1985 Ludzia et al.
4,606,545 A 8/1986 Ritchie
4,705,274 A 11/1987 Lubeck
4,840,343 A 6/1989 Gasser

1 Claim, 7 Drawing Sheets



(56)

References Cited

U.S. PATENT DOCUMENTS

- | | | | | | |
|-------------|---------|-------------------|--------------|---------|---------------------|
| 5,074,558 A | 12/1991 | Bleich et al. | D417,145 S | 11/1999 | McLaughlin |
| 5,083,738 A | 1/1992 | Infanti | 5,984,782 A | 11/1999 | Inoue |
| 5,091,677 A | 2/1992 | Bleich et al. | 6,000,697 A | 12/1999 | Popadiuk et al. |
| 5,102,192 A | 4/1992 | Barile, Sr. | D419,201 S | 1/2000 | de Haas |
| 5,110,120 A | 5/1992 | Smolucha | D419,606 S | 1/2000 | Toriyama |
| 5,114,112 A | 5/1992 | Infanti | 6,036,188 A | 3/2000 | Gomez et al. |
| 5,120,058 A | 6/1992 | Trudeau et al. | 6,047,962 A | 4/2000 | Popadiuk |
| 5,123,647 A | 6/1992 | Lawlor et al. | 6,047,963 A | 4/2000 | Pierce et al. |
| 5,143,055 A | 9/1992 | Eakin | D424,122 S | 5/2000 | Dickenson et al. |
| 5,149,094 A | 9/1992 | Tastad | 6,071,190 A | 6/2000 | Weiss et al. |
| D333,164 S | 2/1993 | Kraft et al. | D428,062 S | 7/2000 | Hayashi |
| 5,193,807 A | 3/1993 | Schilling et al. | 6,089,663 A | 7/2000 | Hill |
| 5,195,746 A | 3/1993 | Boyd et al. | 6,102,394 A | 8/2000 | Wurz et al. |
| D335,150 S | 4/1993 | Biagi et al. | 6,113,097 A | 9/2000 | Krutsch et al. |
| 5,226,653 A | 7/1993 | Bil et al. | 6,117,010 A | 9/2000 | Canterbury et al. |
| 5,232,191 A | 8/1993 | Infanti | 6,120,021 A | 9/2000 | Piotrowski et al. |
| 5,290,034 A | 3/1994 | Hineman | 6,129,353 A | 10/2000 | DeMar et al. |
| 5,297,793 A | 3/1994 | DeMar et al. | 6,129,355 A | 10/2000 | Hahn et al. |
| 5,316,303 A | 5/1994 | Trudeau et al. | 6,135,449 A | 10/2000 | Cornell et al. |
| 5,322,283 A | 6/1994 | Ritchie et al. | 6,135,562 A | 10/2000 | Infanti |
| 5,326,104 A | 7/1994 | Pease et al. | 6,149,153 A | 11/2000 | Sheats, Jr. |
| 5,350,174 A | 9/1994 | Ritchie et al. | 6,155,565 A | 12/2000 | Gomez et al. |
| D351,869 S | 10/1994 | Rothschild et al. | 6,155,925 A | 12/2000 | Giobbi et al. |
| 5,351,954 A | 10/1994 | Oursler et al. | 6,158,737 A | 12/2000 | Cornell et al. |
| 5,357,104 A | 10/1994 | Bleich | 6,159,098 A | 12/2000 | Slomiany et al. |
| 5,358,241 A | 10/1994 | Anghelo et al. | 6,164,644 A | 12/2000 | Cornell et al. |
| 5,358,242 A | 10/1994 | Trudeau et al. | 6,173,955 B1 | 1/2001 | Perrie et al. |
| 5,358,243 A | 10/1994 | Eddy et al. | 6,199,861 B1 | 3/2001 | Hume et al. |
| D352,738 S | 11/1994 | Anghelo et al. | D439,931 S | 4/2001 | Yamaguchi |
| 5,383,663 A | 1/1995 | Anghelo et al. | 6,210,279 B1 | 4/2001 | Dickinson |
| 5,405,144 A | 4/1995 | Ritchie et al. | 6,224,482 B1 | 5/2001 | Bennett |
| 5,409,296 A | 4/1995 | Barile | 6,227,614 B1 | 5/2001 | Rubin |
| 5,411,257 A | 5/1995 | Fulton | 6,227,970 B1 | 5/2001 | Shimizu et al. |
| 5,415,402 A | 5/1995 | Morrison et al. | D443,313 S | 6/2001 | Brettschneider |
| 5,415,403 A | 5/1995 | Ritchie et al. | D446,252 S | 8/2001 | Yamaguchi |
| 5,417,423 A | 5/1995 | Oursler et al. | 6,283,546 B1 | 9/2001 | Hill |
| 5,417,425 A | 5/1995 | Blumberg et al. | 6,290,229 B1 | 9/2001 | Perez |
| 5,437,453 A | 8/1995 | Hineman | D450,094 S | 11/2001 | Hedrick et al. |
| 5,465,963 A | 11/1995 | Patla, Sr. | 6,334,612 B1 | 1/2002 | Wurz et al. |
| 5,472,197 A | 12/1995 | Gwiasda et al. | 6,354,660 B1 | 3/2002 | Friedrich |
| 5,494,286 A | 2/1996 | DeMar et al. | D459,402 S | 6/2002 | Wurz et al. |
| 5,507,488 A | 4/1996 | Eddy et al. | 6,422,670 B1 | 7/2002 | Hedrick et al. |
| 5,511,783 A | 4/1996 | Popadiuk et al. | 6,422,941 B1 | 7/2002 | Thorner et al. |
| 5,516,103 A | 5/1996 | Lawlor et al. | 6,439,993 B1 | 8/2002 | O'Halloran |
| 5,522,641 A | 6/1996 | Infanti | D463,504 S | 9/2002 | Stephan |
| 5,524,887 A | 6/1996 | Trudeau et al. | D464,377 S | 10/2002 | Wurz et al. |
| 5,533,726 A | 7/1996 | Nordman et al. | D465,813 S | 11/2002 | Randall |
| 5,542,748 A | 8/1996 | Barile | D466,160 S | 11/2002 | Hirato et al. |
| D376,391 S | 12/1996 | Okumura | D467,977 S | 12/2002 | Gatto et al. |
| 5,580,052 A | 12/1996 | Popadiuk et al. | D468,364 S | 1/2003 | Beadell et al. |
| 5,632,482 A | 5/1997 | Anghelo | 6,530,842 B1 | 3/2003 | Wells et al. |
| D380,014 S | 6/1997 | Yang | 6,530,872 B2 | 3/2003 | Frehland et al. |
| 5,655,965 A | 8/1997 | Takemoto et al. | 6,572,187 B2 | 6/2003 | Laufer |
| 5,664,777 A | 9/1997 | Nordman et al. | 6,589,114 B2 | 7/2003 | Rose |
| 5,669,818 A | 9/1997 | Thorner et al. | 6,609,972 B2 | 8/2003 | Seelig et al. |
| 5,678,886 A | 10/1997 | Infanti | 6,616,142 B2 | 9/2003 | Adams |
| 5,697,612 A | 12/1997 | Piotrowski et al. | 6,620,047 B1 | 9/2003 | Alcorn et al. |
| 5,704,835 A | 1/1998 | Dietz, II | D481,078 S | 10/2003 | Stephan |
| 5,707,059 A | 1/1998 | Sullivan et al. | 6,646,695 B1 | 11/2003 | Gauselmann |
| 5,720,480 A | 2/1998 | Lawlor et al. | 6,652,378 B2 | 11/2003 | Cannon et al. |
| D395,463 S | 6/1998 | Scott et al. | D483,075 S | 12/2003 | Kang |
| 5,762,617 A | 6/1998 | Infanti | D484,548 S | 12/2003 | Franco Munoz et al. |
| 5,791,731 A | 8/1998 | Infanti | D485,583 S | 1/2004 | Porto |
| 5,806,851 A | 9/1998 | Gomez et al. | 6,715,756 B2 | 4/2004 | Inoue |
| 5,820,460 A | 10/1998 | Fulton | 6,729,618 B1 | 5/2004 | Koenig et al. |
| 5,833,236 A | 11/1998 | Oursler et al. | D492,363 S | 6/2004 | Seelig et al. |
| D405,473 S | 2/1999 | Tikhonski et al. | D492,364 S | 6/2004 | Seelig et al. |
| D407,759 S | 4/1999 | Isetani et al. | D492,365 S | 6/2004 | Munoz et al. |
| D408,366 S | 4/1999 | Popadiuk | D492,676 S | 7/2004 | Monson et al. |
| 5,890,715 A | 4/1999 | Gomez et al. | D493,843 S | 8/2004 | Jackson, Sr. et al. |
| 5,899,454 A | 5/1999 | Eddy et al. | D493,846 S | 8/2004 | Seelig et al. |
| 5,924,690 A | 7/1999 | Kopera et al. | D495,754 S | 9/2004 | Wurz et al. |
| 5,934,672 A | 8/1999 | Sines et al. | D495,755 S | 9/2004 | Wurz et al. |
| 5,938,195 A | 8/1999 | Anghelo et al. | D498,267 S | 11/2004 | Crouch |
| 5,944,309 A | 8/1999 | Popadiuk et al. | D500,098 S | 12/2004 | Doi |
| | | | 6,880,825 B2 | 4/2005 | Seelig et al. |
| | | | D505,162 S | 5/2005 | Bristol et al. |
| | | | D508,268 S | 8/2005 | Hanchar et al. |
| | | | D508,269 S | 8/2005 | Wichinsky |

(56)

References Cited

U.S. PATENT DOCUMENTS

D508,719 S	8/2005	de Haas	8,002,626 B2	8/2011	Englman
D508,961 S	8/2005	Gatto et al.	D646,336 S	10/2011	Kelly et al.
D509,254 S	9/2005	Rasmussen et al.	D646,337 S	10/2011	Kelly et al.
D509,255 S	9/2005	Bristol et al.	D646,691 S	10/2011	Thai et al.
D512,105 S	11/2005	Chitrapongse et al.	D649,605 S	11/2011	Terpstra et al.
D513,511 S	1/2006	Decombe	D651,608 S	1/2012	Allen et al.
D515,144 S	2/2006	Boyd	8,152,623 B2	4/2012	Fiden
6,997,810 B2	2/2006	Cole	8,162,740 B2	4/2012	Aoki
D520,504 S	5/2006	Martin	8,216,061 B2	7/2012	Pacey
7,063,615 B2	6/2006	Alcorn et al.	8,267,764 B1	9/2012	Aoki et al.
7,108,237 B2	9/2006	Gauselmann	D669,076 S	10/2012	Haller
D531,677 S	11/2006	Mallory et al.	8,292,451 B2	10/2012	Hwang et al.
7,184,277 B2	2/2007	Beime	8,303,420 B2	11/2012	Chudek et al.
D537,885 S	3/2007	Gadda et al.	8,305,743 B2	11/2012	Wu et al.
D539,854 S	4/2007	Luciano et al.	8,323,114 B2	12/2012	Burak et al.
D540,398 S	4/2007	Gadda et al.	D673,620 S	1/2013	Johnson et al.
D546,893 S	7/2007	Yamashita	8,353,755 B2	1/2013	Vann et al.
7,247,098 B1	7/2007	Bradford et al.	8,371,920 B2	2/2013	Gomez et al.
D548,801 S	8/2007	Groswirt	8,371,927 B2	2/2013	Englman
D549,785 S	8/2007	Luciano, Jr. et al.	8,371,928 B2	2/2013	Englman et al.
7,267,612 B2	9/2007	Alcorn et al.	8,376,832 B2	2/2013	O'Connor et al.
D554,710 S	11/2007	Malone et al.	D678,955 S	3/2013	Lesley et al.
D556,765 S	12/2007	Evans et al.	D678,956 S	3/2013	Lesley et al.
D557,748 S	12/2007	Jumper	D678,957 S	3/2013	Cesaroni et al.
D559,328 S	1/2008	Rasmussen et al.	D678,958 S	3/2013	Cesaroni et al.
D559,917 S	1/2008	Cole	D681,130 S	4/2013	Lesley et al.
D560,724 S	1/2008	Johnson	8,430,756 B2	4/2013	McComb et al.
D560,725 S	1/2008	Johnson	D682,948 S	5/2013	Cesaroni et al.
D563,326 S	3/2008	Patel et al.	D685,033 S	6/2013	Wudtke
D563,481 S	3/2008	Looks et al.	D691,661 S *	10/2013	Creech D21/324
D564,600 S	3/2008	Greenberg et al.	D691,665 S	10/2013	Chudek
D564,601 S	3/2008	Strahinic et al.	D691,666 S	10/2013	Lesley et al.
D566,197 S	4/2008	Greenberg et al.	D693,343 S	11/2013	Haller
D569,863 S	5/2008	Feldstein et al.	D697,558 S *	1/2014	Myers D21/325
D572,314 S	7/2008	Vallejo et al.	D704,273 S	5/2014	Chudek
D578,168 S	10/2008	Looks et al.	D704,275 S	5/2014	Lesley et al.
D581,983 S	12/2008	Bergstrom	D706,741 S	6/2014	Myers
RE40,625 E	1/2009	Wurz et al.	D712,975 S	9/2014	Lesley et al.
7,479,066 B2	1/2009	Emori	D714,875 S *	10/2014	Wudtke D21/385
D587,272 S	2/2009	Morrow et al.	D715,364 S *	10/2014	Wudtke D21/385
D587,319 S	2/2009	Moises Deiab	8,982,545 B2	3/2015	Kim et al.
RE40,671 E	3/2009	Wurz et al.	D730,993 S	6/2015	Castro et al.
7,503,849 B2	3/2009	Hornik et al.	D740,888 S	10/2015	DePalma et al.
D590,025 S	4/2009	Fiore	D742,974 S	11/2015	Lesley et al.
D594,068 S	6/2009	Hsu	D742,975 S	11/2015	Myers et al.
D596,678 S	7/2009	Myers	D744,579 S *	12/2015	Cope D16/241
D599,365 S	9/2009	Brown et al.	D760,846 S	7/2016	Castro et al.
D599,858 S	9/2009	Lesley et al.	RE46,169 E	10/2016	Kelly et al.
D599,859 S	9/2009	Lesley	D780,852 S *	3/2017	Sharp D14/203.7
D599,860 S	9/2009	Lesley et al.	D802,675 S *	11/2017	Steelman D21/325
D601,638 S	10/2009	Palmisano	D805,588 S *	12/2017	Sharp D21/329
D604,368 S	11/2009	Lesley et al.	D810,830 S *	2/2018	Sharp D21/329
7,628,693 B2	12/2009	Thomas	D832,357 S *	10/2018	Castro D21/369
7,666,085 B2	2/2010	Vorias et al.	D832,358 S *	10/2018	Castro D21/369
7,686,689 B2	3/2010	Thomas	D843,461 S *	3/2019	Castro D21/369
D613,802 S	4/2010	Meyers et al.	D843,462 S *	3/2019	Castro D21/369
D615,598 S	5/2010	McComb et al.	D843,463 S *	3/2019	Castro D21/369
7,713,119 B2	5/2010	Pacey et al.	D858,641 S *	9/2019	Legras D21/370
D622,780 S	8/2010	Lesley et al.	D858,642 S *	9/2019	Legras D21/370
D622,781 S	8/2010	Lesley et al.	2002/0041069 A1	4/2002	Steelman
D622,782 S	8/2010	Chudek et al.	2003/0122973 A1	7/2003	Huang
D626,182 S	10/2010	Cole et al.	2004/0018877 A1	1/2004	Tastad et al.
D626,183 S	10/2010	Cole et al.	2004/0029631 A1	2/2004	Duhamel
7,811,167 B2	10/2010	Giobbi et al.	2004/0053662 A1	3/2004	Pacey
D631,060 S	1/2011	Flik et al.	2005/0014547 A1	1/2005	Gomez et al.
D631,100 S	1/2011	Palmisano	2006/0009284 A1	1/2006	Schwartz et al.
D633,950 S	3/2011	Terpstra et al.	2006/0034042 A1	2/2006	Hisano et al.
D637,238 S	5/2011	O'Keene et al.	2006/0079316 A1	4/2006	Flemming et al.
D637,652 S	5/2011	Tahara et al.	2006/0131810 A1	6/2006	Nicely
7,938,728 B2	5/2011	Vetter et al.	2006/0183553 A1	8/2006	Kiryama et al.
7,955,176 B2	6/2011	Tastad et al.	2006/0199638 A1	9/2006	Walker et al.
D641,047 S	7/2011	Tahara et al.	2006/0281559 A1	12/2006	Luciano
7,976,393 B2	7/2011	Haga et al.	2006/0287111 A1	12/2006	Mitchell et al.
7,985,139 B2	7/2011	Lind et al.	2008/0039213 A1	2/2008	Cornell et al.
8,002,424 B2	8/2011	Hwang et al.	2008/0051202 A1	2/2008	Lube
			2009/0174996 A1	7/2009	Park
			2010/0053231 A1	3/2010	Park
			2012/0122569 A1	5/2012	Kowolik et al.
			2012/0168058 A1	7/2012	Kim et al.

(56)

References Cited

U.S. PATENT DOCUMENTS

2013/0180653	A1	7/2013	Kim et al.
2013/0278875	A1	10/2013	Kim et al.
2014/0055696	A1	2/2014	Lee et al.
2014/0092356	A1	4/2014	Afin et al.
2014/0176856	A1	6/2014	Lee et al.
2014/0226111	A1	8/2014	Kim
2014/0226112	A1	8/2014	Kim
2014/0354938	A1	12/2014	Kim
2014/0368782	A1	12/2014	Kim et al.
2014/0375936	A1	12/2014	Park et al.
2015/0000823	A1	1/2015	Kim et al.
2015/0036073	A1	2/2015	Im et al.
2015/0116621	A1	4/2015	Park et al.
2015/0116625	A1	4/2015	Hwang et al.
2015/0301390	A1	10/2015	Kim

FOREIGN PATENT DOCUMENTS

KR	1113734	B1	2/2012
KR	2012051630	A	5/2012
KR	1268471	B1	6/2013
KR	1278904	B1	6/2013
KR	1336677	B1	12/2013
KR	1381609	B1	4/2014
KR	1381610	B1	4/2014
KR	2015013987	A	2/2015
KR	1539221	B1	7/2015
TW	200949775	A	12/2009

OTHER PUBLICATIONS

- Product Sheet for “Monopoly Chairman of the Board™,” WMS Gaming Inc., 1999 (2 pages).
- Product Sheet for “American Eagle,” Eagle Co., Ltd., 2000 (2 pages).
- Product Sheet for “Survivor,” WMS Gaming Inc., 2001 (4 pages).
- Product Sheet for “ProSLOT® 6000,” Bally Gaming Systems, 2002 (4 pages).
- Product Sheet for “EVO™ Hybrid,” Bally Gaming Systems, 2002 (4 pages).
- Product Sheet for “3RV™,” WMS Gaming Inc., 2002 or earlier (2 pages).
- Product Sheet for “Miss America,” AC Coin & Slot, 2002 or earlier (2 pages).
- Product Catalog for Ainsworth Game Technology Ltd, date estimated as early as 2007 (6 pages).
- Product Sheet for “Ultrapin™,” Global VR, 2007 (1 pages).
- Brochure for “Virtual Pinball,” Tab-Austria, 2007 (8 pages).
- Catalog for Atronice®-Spielo®, date estimated as early as 2008 (2 pages).
- Product Catalog for “Alpha Elite™,” Bally Technologies, date estimated as early as 2008-2009 (2 pages).
- Cabinet Brochure for Hydako Co., date estimated as early as 2009 (1 page).
- Product Catalog for Bally Technologies, date estimated as early as 2010 (2 pages).
- Fall & Winter Catalog for Aristocrat, date estimated as early as 2010-2011 (7 pages).
- Catalog for “Your Partner Innovation,” Bally Technologies, date estimated as early as 2011 (4 pages).
- Co-pending Design U.S. Appl. No. 29/559,629, filed Mar. 30, 2016.
- Co-pending Design U.S. Appl. No. 29/559,613, filed Mar. 30, 2016.
- Co-pending Design U.S. Appl. No. 29/559,593, filed Mar. 30, 2016.
- Immersaview, “Why choose a Curved Screen for your Multi-Projector Setup”, Jan. 28, 2016; retrieved from <<https://www.immersaview.com/resources/why-curved/>> (7 pages).
- Denison; “Why can’t you buy a flat OLED yet? The curve isn’t just about viewing experience”; Digital Trends; Aug. 18, 2013; retrieved from <<http://www.digitaltrends.com/home-theater-why-did-the-us-get-stuck-with-curved-oled/#!zXypT>> (8 pages).
- Wilcox, “LG, Samsung, and Sony throw TV buyers a curve”; Consumer Reports; Sep. 10, 2013; retrieved from <<http://www.consumerreports.org/cro/news/2013/09/curved-tv-screens/index.htm#>> (1 page).
- Snider; “Sony tosses latest pitch for curved TV displays”; USA Today; Oct. 15, 2013; retrieved from <<http://www.usatoday.com/story/tech/personal/2013/10/15/new-curved-sony-led-hdtv/2982051/>> (2 pages).
- Morrison; “Curved OLED HDTV screens are a bad idea (for now)”; CNET; Jun. 18, 2013; retrieved from <<https://www.cnet.com/news/curved-oled-hdtv-screens-are-a-bad-idea-for-now/>> (9 pages).
- Cochran; “Why Samsung’s curved-screen TV might be a ‘game changer’”; CBS News; Aug. 14, 2013; retrieved from <<http://www.cbsnews.com/news/why-samsungs-curved-screen-tv-might-be-a-game-changer/>> (3 pages).
- Kelly; “TV trends at CES: 4K, curves and smart TVs”; CNN; Jan. 8, 2014; retrieved from <<http://www.cnn.com/2014/01/07/tech/gaming-gadgets/ces-television-trends/>> (5 pages).
- Manjoo; “TV Makers Are Out of Ideas”; Wall Street Journal; Jan. 8, 2014; retrieved from <<https://www.wsj.com/news/articles/SB10001424052702303393804579308801012230792>> (4 pages).
- Daniel; “Curved Monitors—Overview”; Curved Monitor Test; Aug. 28, 2015; retrieved from <<http://www.curved-monitor-test.de/>> (5 pages).
- Matthias; “Curved TV—Overview”; Curved TV Test; Apr. 20, 2016; retrieved from <<https://technikblog.net/fernseher-test/curved-tv/>> (16 pages, in German).
- Ljt216; “Flat Screen vs Curved CRTs for Retro Games”; Reddit; Jul. 29, 2015; retrieved from <https://www.reddit.com/r/gamecollecting/comments/3f25r0/flat_screen_vs_curved_crts_for_retro_games/> (4 pages).
- Photonics Industry and Technology Development Association (PIDA); “E-Paper Shows Potential at Creating a Paperless Haven”; OptoLink Magazine, 3 Quarter 2008; pp. 8-11 (4 pages).
- AU Optronics Corp.; News Center: “AUO Announces Multiple Upcoming Innovations”; Oct. 27, 2008; retrieved from <<http://www.auo.com/?sn=107&lang=en-US&c=10&n=363>>; (2 pages).
- DigiTimes, Inc.; “FPD China 2009: AUO 8.9-inch convex display panel”; Mar. 12, 2009; retrieved from <<http://www.digitimes.com/photogallery/showphoto.asp?ID=3376>>; (3 pages).
- Gizmodo.com; “AUO Curved Displays, Ultra Thin LCDs On the Way”; May 20, 2008; retrieved from <<http://gizmodo.com/392248/auo-curved-displays-ultra-thin-lcds-on-the-way>>; (2 pages).
- PC World; “AU Optronics Shows Off Curved LCD Screen”; May 20, 2008; retrieved from <<http://www.pcworld.com/article/146083/article.amp.html>> (3 pages).
- DailyTech; “AUO Shows Off Curved Display and Touch Screen”, May 23, 2008; retrieved from <<http://www.dailytech.com/AUO+Shows+Off+Curved+Display+and+Touch+Screen+Tech/article11845.htm>>; (2 pages).
- OLED-Info; “LG Phillips LCD Develops 14.3-Inch Color E-Paper Display”; Jan. 4, 2008; retrieved from <http://www.oled-info.com/lg/lg_phillips_lcd_develops_14_3_inch_color_e_paper_display>; (2 pages).
- NewLaunches.com; “LG Phillips LCD develops world’s highest resolution 14.3 inch flexible color E-paper display!”; Jan. 3, 2008; retrieved from <http://newlaunches.com/archives/lgphillips_lcd_develops_worlds_highest_resolution_143inch_flexible_color_epaper_display.php>; (4 pages).
- Series of Screenshots from video: Wood, Molly (Mar. 26, 2015). Major, Clare, Carr, Vanessa, eds. <https://www.nytimes.com/video/technology/personaltech/100000002788325/curved-screens-worth-it.html>.

* cited by examiner

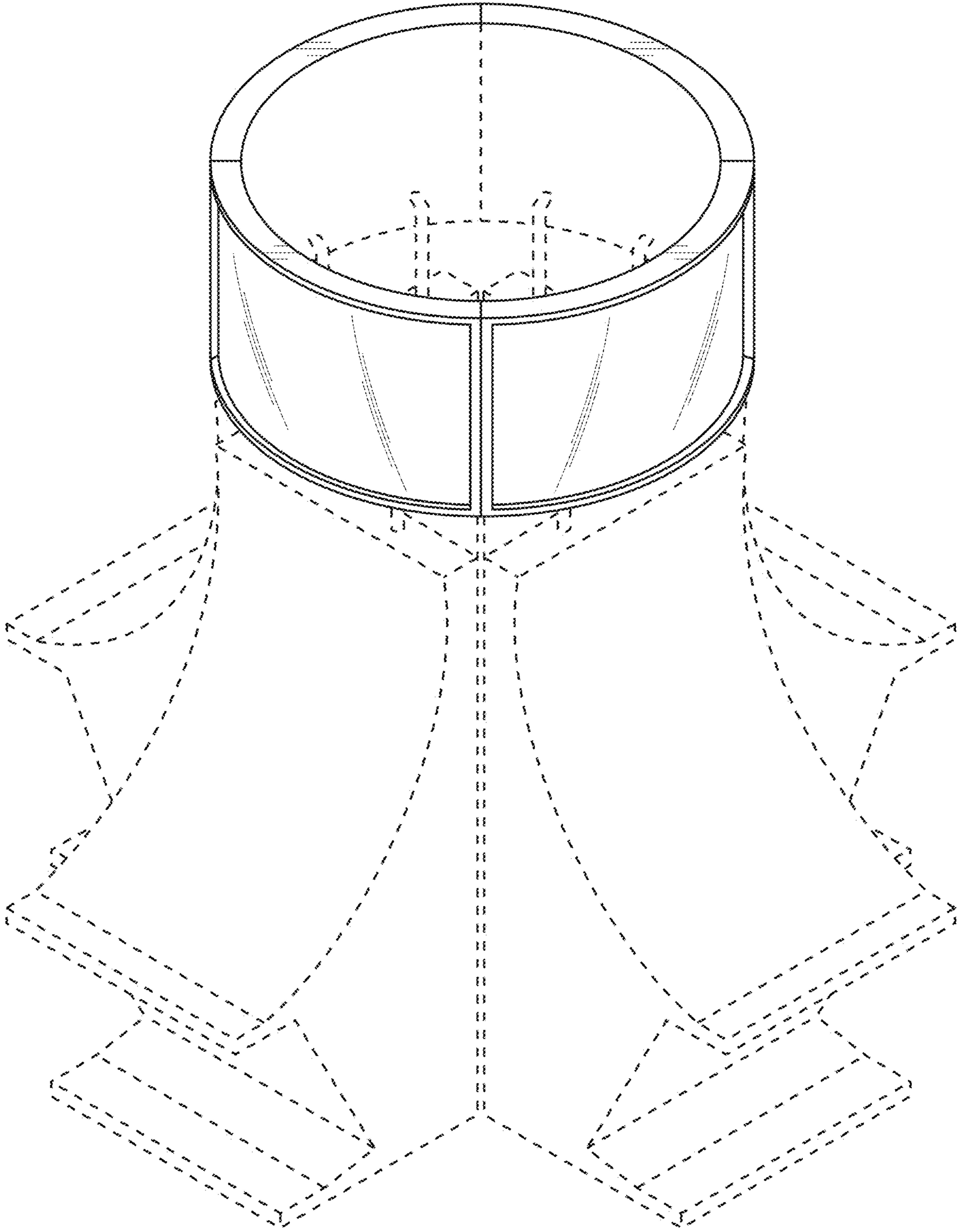


FIG. 1

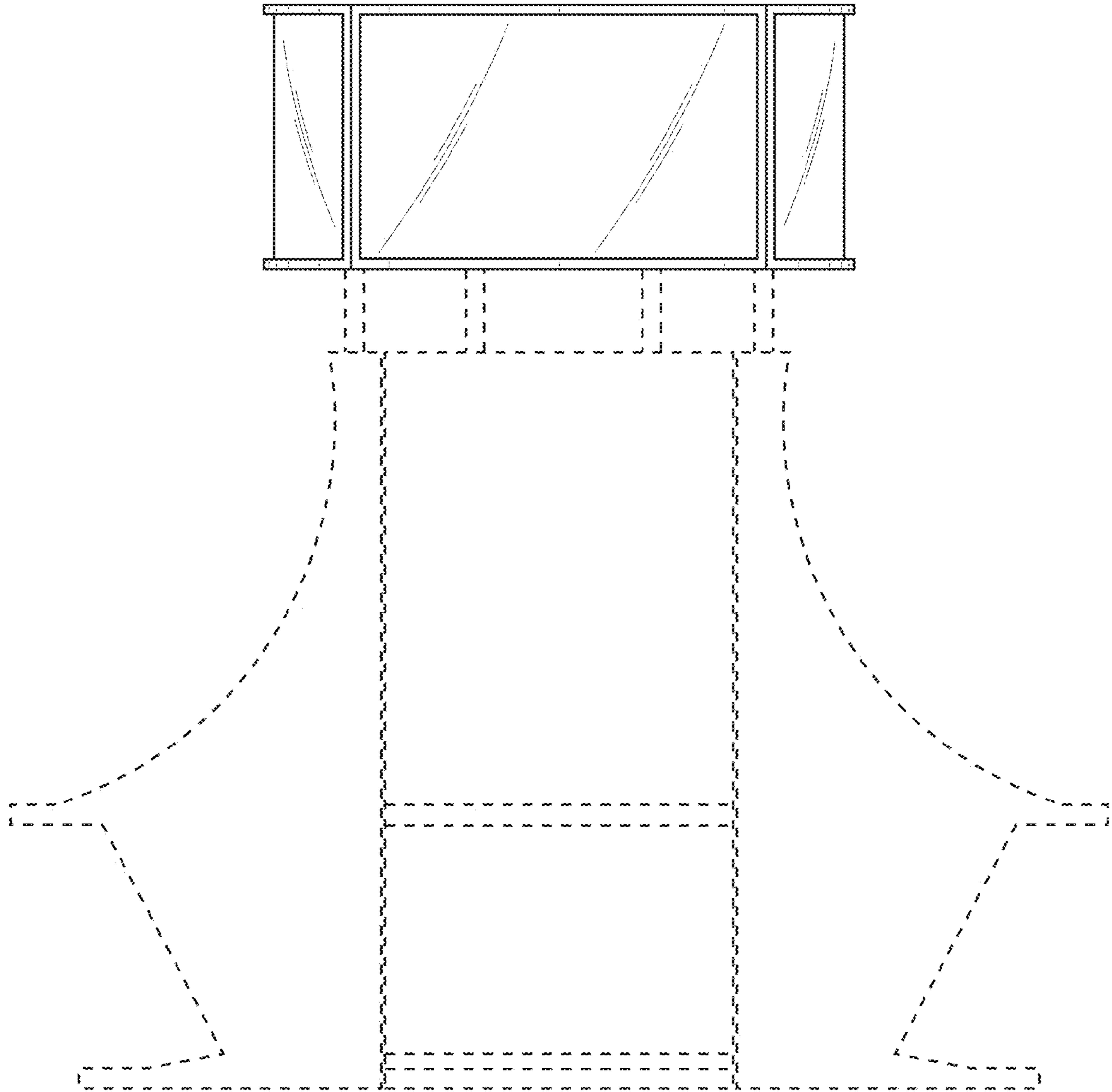


FIG. 2

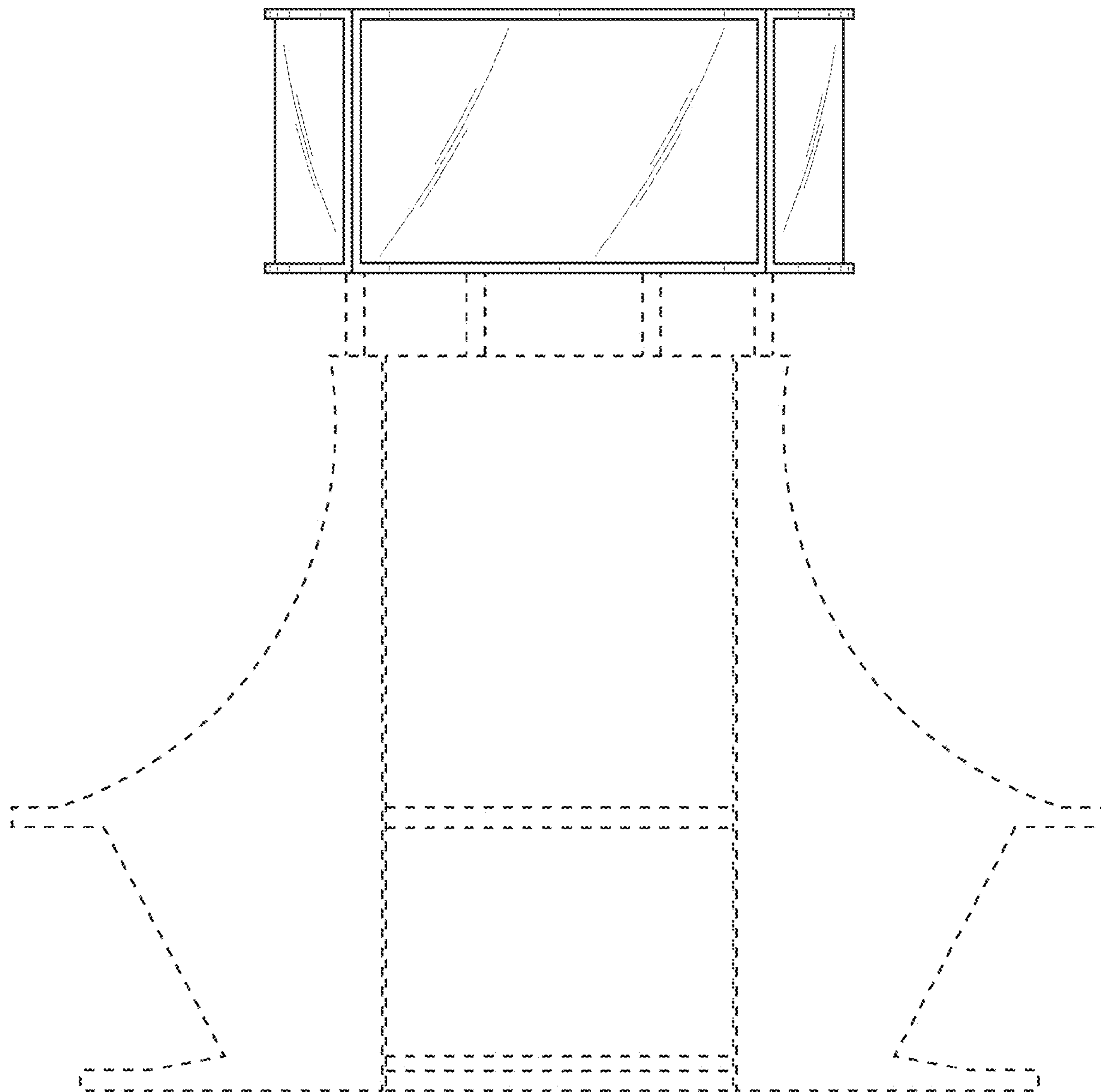


FIG. 3

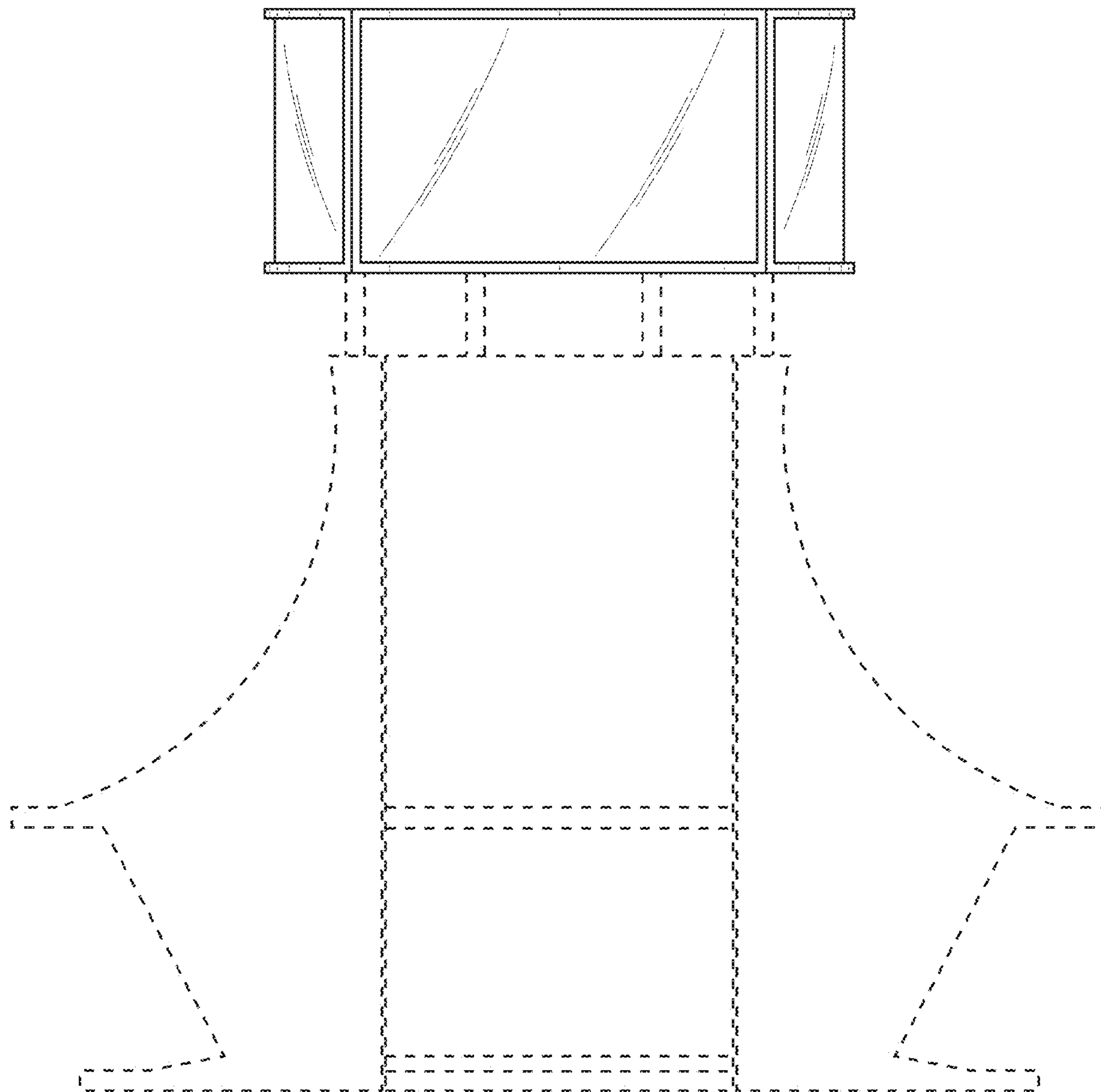


FIG. 4

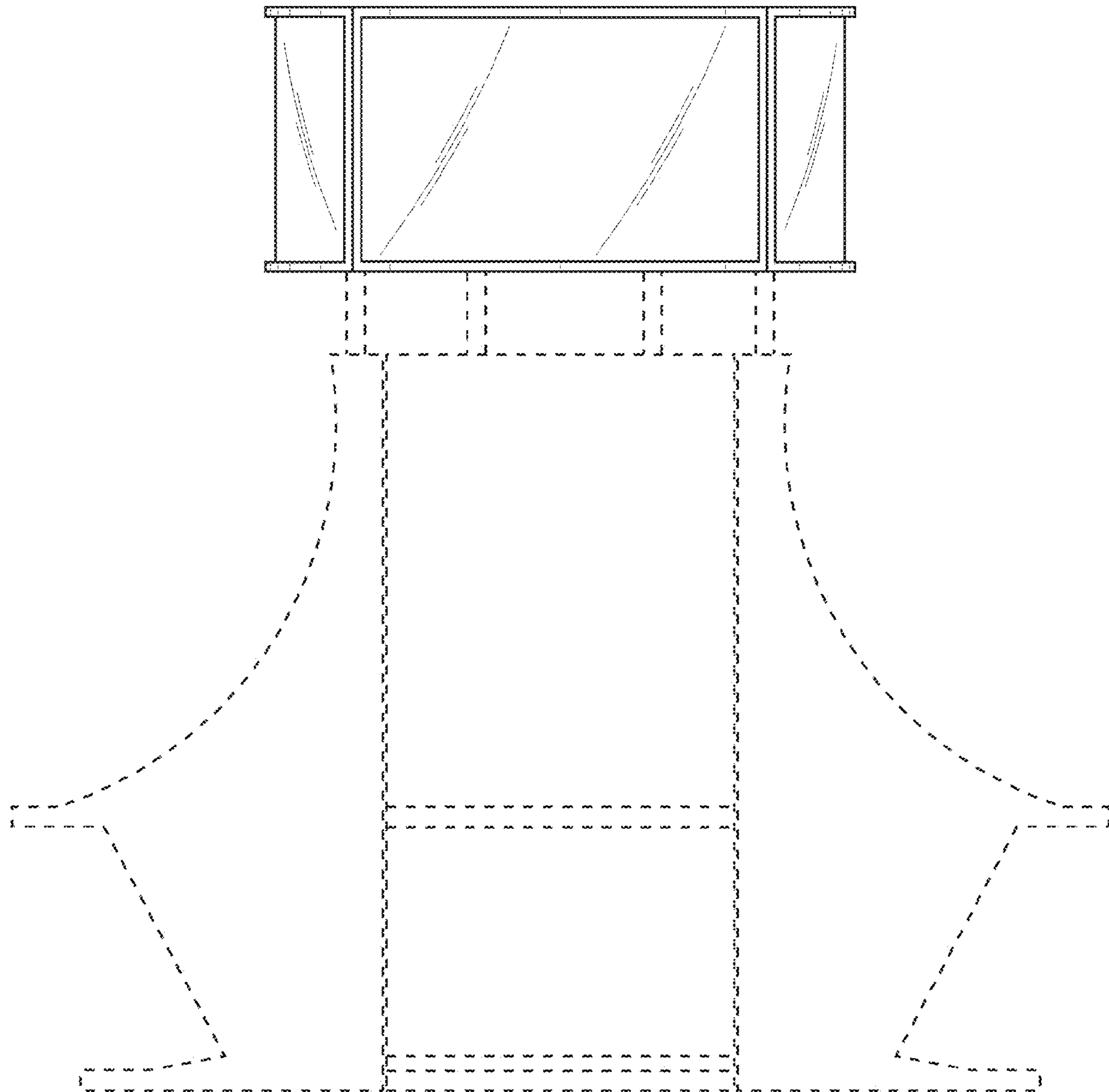


FIG. 5

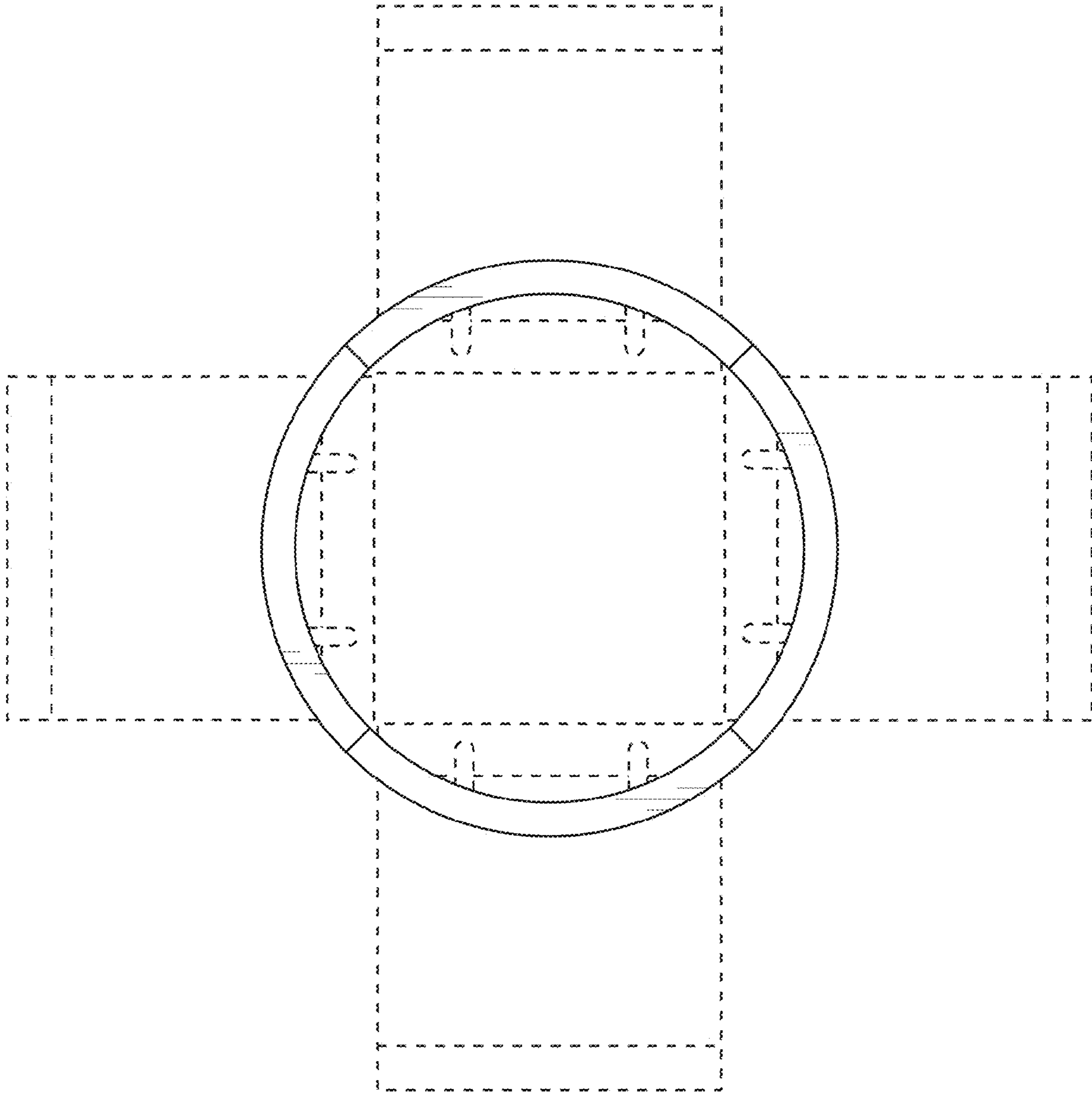


FIG. 6

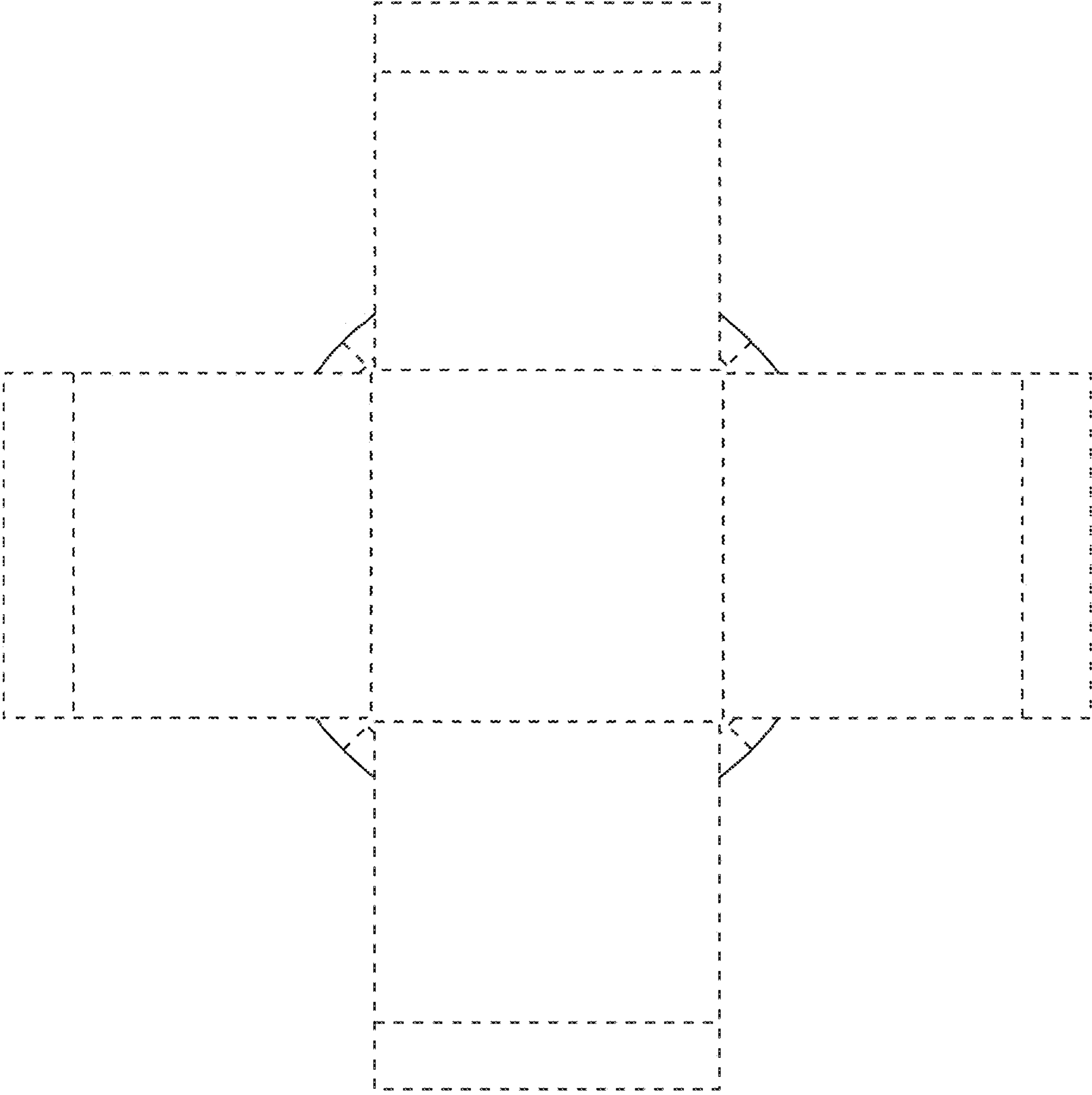


FIG. 7