



US00D882694S

(12) **United States Design Patent** (10) **Patent No.:** **US D882,694 S**  
**Glenn et al.** (45) **Date of Patent:** **\*\* Apr. 28, 2020**

(54) **GAMING MACHINE**  
(71) Applicant: **BALLY GAMING, INC.**, Las Vegas, NV (US)

4,373,725 A 2/1983 Ritchie  
D275,772 S 10/1984 Akopian et al.  
D280,835 S 10/1985 Berge et al.  
(Continued)

(72) Inventors: **Robert J. Glenn**, Chicago, IL (US);  
**Szymon K. Gluc**, Las Vegas, NV (US);  
**Paul M. Lesley**, Chicago, IL (US)

FOREIGN PATENT DOCUMENTS

EP 649 671 A1 4/1995  
JP 03210172 B2 9/2001  
(Continued)

(73) Assignee: **SG Gaming, Inc.**, Las Vegas, NV (US)

(\*\*) Term: **15 Years**

OTHER PUBLICATIONS

(21) Appl. No.: **29/657,628**

AU Optronics Corp.; News Center. "AUO Announces Multiple Upcoming Innovations"; Oct. 27, 2008; retrieved from <<http://www.auo.com/?sn=107&lang=en-US&c=10&n=363>> on Mar. 3, 2017 (2 pages).

(22) Filed: **Jul. 24, 2018**

(51) **LOC (12) Cl.** ..... **21-03**

(Continued)

(52) **U.S. Cl.**

USPC ..... **D21/369**

(58) **Field of Classification Search**

USPC ..... D21/369, 370, 371, 385, 329, 325, 394;  
D14/307, 172, 129, 325, 401, 371, 126,  
D14/439, 432, 450, 128, 375, 248, 374,  
D14/341, 138 G, 127; 463/28, 13, 11,  
463/16, 20, 25, 31, 46, 23, 30, 17, 36, 29,  
463/42, 34, 32, 35, 19, 21, 22; 273/292,  
273/203, 138.2, 143 R, 142 R, 138.1;  
D19/60; D16/226; D8/335, 331, 334;  
D26/141; D7/641

CPC ..... G07F 17/32; G07F 17/34; G07F 17/3211;  
G07F 17/3244; G07F 17/3267

See application file for complete search history.

*Primary Examiner* — Ryan Harvey

(74) *Attorney, Agent, or Firm* — Banner & Witcoff, Ltd.

(57)

**CLAIM**

The ornamental design for a gaming machine, as shown and described.

**DESCRIPTION**

FIG. 1 is a front top right perspective view of a gaming machine showing our new design;  
FIG. 2 a front left bottom perspective view thereof;  
FIG. 3 is a front view thereof;  
FIG. 4 is a right side view thereof;  
FIG. 5 is a left side view thereof; and,  
FIG. 6 is a top view thereof.

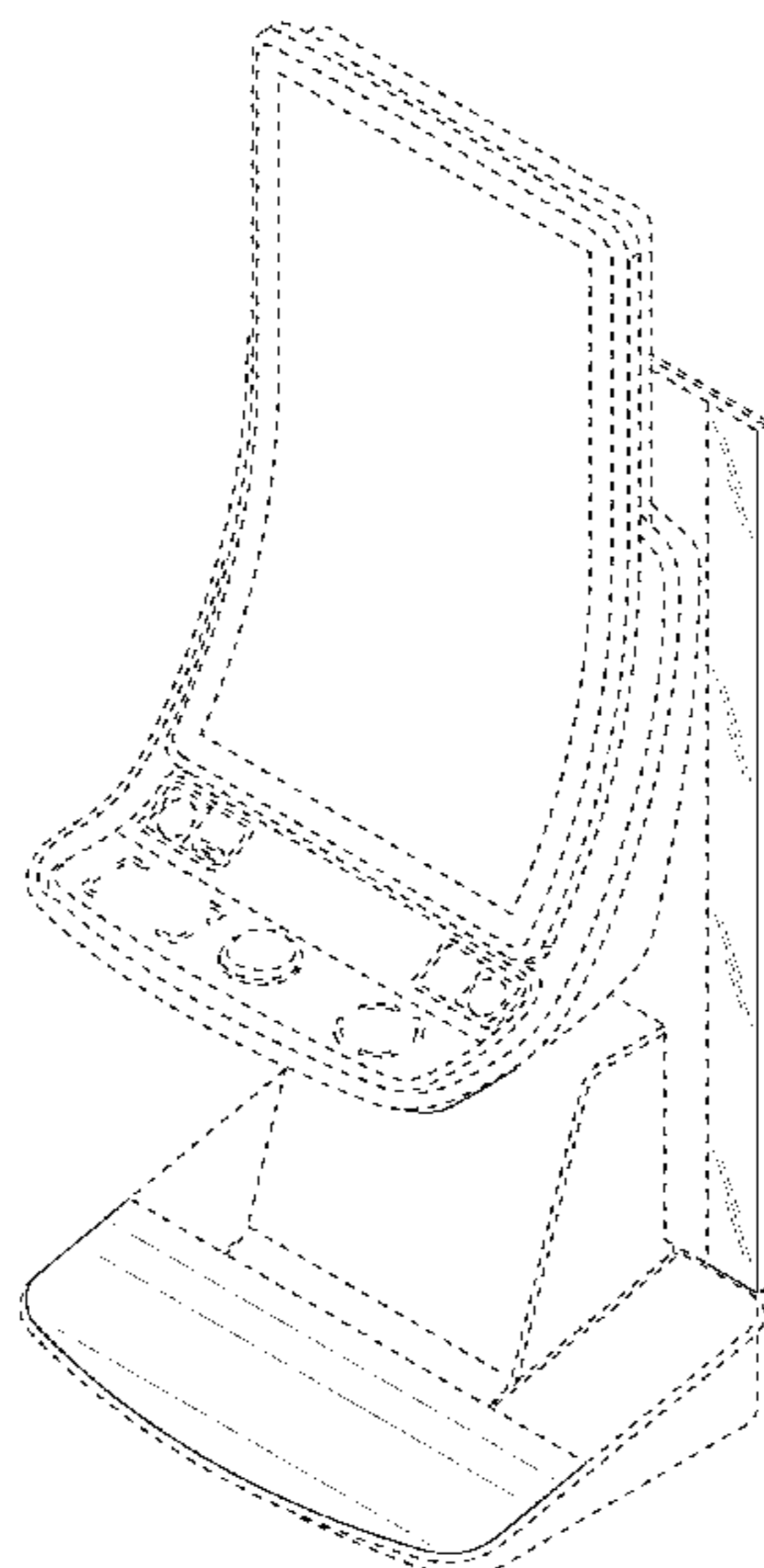
The broken lines immediately adjacent to a shaded area define the bounds of the claimed design and form no part thereof. The broken lines depicting the remainder of the gaming machine show features that form no part of the claimed design. The oblique line shading shows that the surface is a transparent, translucent, highly polished or reflective surface.

(56) **References Cited**

U.S. PATENT DOCUMENTS

2,661,954 A 12/1953 Koci  
D236,720 S 9/1975 Baker  
D238,379 S 1/1976 Miller  
4,046,419 A 9/1977 Schmitt  
D264,485 S 5/1982 Kitchen  
4,372,557 A 2/1983 Del Principe et al.

**1 Claim, 6 Drawing Sheets**



(56)

## References Cited

## U.S. PATENT DOCUMENTS

D280,836 S	10/1985	Ludzia et al.	5,833,236 A	11/1998	Oursler et al.
4,606,545 A	8/1986	Ritchie	D405,473 S	2/1999	Tikhonski et al.
4,705,274 A	11/1987	Lubeck	D407,759 S	4/1999	Isetani et al.
4,840,343 A	6/1989	Gasser	D408,366 S	4/1999	Popadiuk
4,861,037 A	8/1989	Oursler	5,890,715 A	4/1999	Gomez et al.
4,930,117 A	5/1990	Huggins	5,899,454 A	5/1999	Eddy et al.
4,981,298 A	1/1991	Lawlor et al.	5,924,690 A	7/1999	Kopera et al.
D315,110 S	3/1991	Slater	5,934,672 A	8/1999	Sines et al.
5,015,189 A	5/1991	Wenzinger	5,938,195 A	8/1999	Anghelo et al.
D318,660 S	7/1991	Weber	5,944,309 A	8/1999	Popadiuk et al.
5,074,558 A	12/1991	Bleich et al.	D417,145 S	11/1999	McLaughlin
5,083,738 A	1/1992	Infanti	5,984,782 A	11/1999	Inoue
5,091,677 A	2/1992	Bleich et al.	6,000,697 A	12/1999	Popadiuk et al.
5,102,192 A	4/1992	Barile, Sr.	D419,201 S	1/2000	de Haas
5,110,120 A	5/1992	Smolucha	D419,606 S	1/2000	Toriyama
5,114,112 A	5/1992	Infanti	6,036,188 A	3/2000	Gomez et al.
5,120,058 A	6/1992	Trudeau et al.	6,047,962 A	4/2000	Popadiuk
5,123,647 A	6/1992	Lawlor et al.	6,047,963 A	4/2000	Pierce et al.
5,143,055 A	9/1992	Eakin	D424,122 S	5/2000	Dickenson et al.
5,149,094 A	9/1992	Tastad	6,071,190 A	6/2000	Weiss et al.
D333,164 S	2/1993	Kraft et al.	D428,062 S	7/2000	Hayashi
5,193,807 A	3/1993	Schilling et al.	6,089,663 A	7/2000	Hill
5,195,746 A	3/1993	Boyd et al.	6,102,394 A	8/2000	Wurz et al.
D335,150 S	4/1993	Biagi et al.	6,113,097 A	9/2000	Krutsch et al.
5,226,653 A	7/1993	Bil et al.	6,117,010 A	9/2000	Canterbury et al.
5,232,191 A	8/1993	Infanti	6,120,021 A	9/2000	Piotrowski et al.
5,290,034 A	3/1994	Hineman	6,129,353 A	10/2000	DeMar et al.
5,297,793 A	3/1994	DeMar et al.	6,129,355 A	10/2000	Hahn et al.
5,316,303 A	5/1994	Trudeau et al.	6,135,449 A	10/2000	Cornell et al.
5,322,283 A	6/1994	Ritchie et al.	6,135,562 A	10/2000	Infanti
5,326,104 A	7/1994	Pease et al.	6,149,153 A	11/2000	Sheats, Jr.
5,350,174 A	9/1994	Ritchie et al.	6,155,565 A	12/2000	Gomez et al.
D351,869 S	10/1994	Rothschild et al.	6,155,925 A	12/2000	Giobbi et al.
5,351,954 A	10/1994	Oursler et al.	6,158,737 A	12/2000	Cornell et al.
5,357,104 A	10/1994	Bleich	6,159,098 A	12/2000	Slomiany et al.
5,358,241 A	10/1994	Anghelo et al.	6,164,644 A	12/2000	Cornell et al.
5,358,242 A	10/1994	Trudeau et al.	6,173,955 B1	1/2001	Perrie et al.
5,358,243 A	10/1994	Eddy et al.	6,199,861 B1	3/2001	Hume et al.
D352,738 S	11/1994	Anghelo et al.	D439,931 S	4/2001	Yamaguchi
5,383,663 A	1/1995	Anghelo et al.	6,210,279 B1	4/2001	Dickinson
5,405,144 A	4/1995	Ritchie et al.	6,224,482 B1	5/2001	Bennett
5,409,296 A	4/1995	Barile	6,227,614 B1	5/2001	Rubin
5,411,257 A	5/1995	Fulton	6,227,970 B1	5/2001	Shimizu et al.
5,415,402 A	5/1995	Morrison et al.	D443,313 S	6/2001	Brettschneider
5,415,403 A	5/1995	Ritchie et al.	D446,252 S	8/2001	Yamaguchi
5,417,423 A	5/1995	Oursler et al.	6,283,546 B1	9/2001	Hill
5,417,425 A	5/1995	Blumberg et al.	6,290,229 B1	9/2001	Perez
5,437,453 A	8/1995	Hineman	D450,094 S	11/2001	Hedrick et al.
5,465,963 A	11/1995	Patla, Sr.	6,334,612 B1	1/2002	Wurz et al.
5,472,197 A	12/1995	Gwiasda et al.	6,354,660 B1	3/2002	Friedrich
5,494,286 A	2/1996	DeMar et al.	D459,402 S	6/2002	Wurz et al.
5,507,488 A	4/1996	Eddy et al.	6,422,670 B1	7/2002	Hedrick et al.
5,511,783 A	4/1996	Popadiuk et al.	6,422,941 B1	7/2002	Thorner et al.
5,516,103 A	5/1996	Lawlor et al.	6,439,993 B1	8/2002	O'Halloran
5,522,641 A	6/1996	Infanti	D463,504 S	9/2002	Stephan
5,524,887 A	6/1996	Trudeau et al.	D464,377 S	10/2002	Wurz et al.
5,533,726 A	7/1996	Nordman et al.	D465,813 S	11/2002	Randall
5,542,748 A	8/1996	Barile	D466,160 S	11/2002	Hirato et al.
D376,391 S	12/1996	Okumura	D467,977 S	12/2002	Gatto et al.
5,580,052 A	12/1996	Popadiuk et al.	D468,364 S	1/2003	Beadell et al.
5,632,482 A	5/1997	Anghelo	6,530,842 B1	3/2003	Wells et al.
D380,014 S	6/1997	Yang	6,530,872 B2	3/2003	Frehland et al.
5,655,965 A	8/1997	Takemoto et al.	6,572,187 B2	6/2003	Laufer
5,664,777 A	9/1997	Nordman et al.	6,589,114 B2	7/2003	Rose
5,669,818 A	9/1997	Thorner et al.	6,609,972 B2	8/2003	Seelig et al.
5,678,886 A	10/1997	Infanti	6,616,142 B2	9/2003	Adams
5,697,612 A	12/1997	Piotrowski et al.	6,620,047 B1	9/2003	Alcorn et al.
5,704,835 A	1/1998	Dietz, II	D481,078 S	10/2003	Stephan
5,707,059 A	1/1998	Sullivan et al.	6,646,695 B1	11/2003	Gauselmann
5,720,480 A	2/1998	Lawlor et al.	6,652,378 B2	11/2003	Cannon et al.
D395,463 S	6/1998	Scott et al.	D483,075 S	12/2003	Kang
5,762,617 A	6/1998	Infanti	D484,548 S	12/2003	Franco Munoz et al.
5,791,731 A	8/1998	Infanti	D485,583 S	1/2004	Porto
5,806,851 A	9/1998	Gomez et al.	6,715,756 B2	4/2004	Inoue
5,820,460 A	10/1998	Fulton	6,729,618 B1	5/2004	Koenig et al.
			D492,363 S	6/2004	Seelig et al.
			D492,364 S	6/2004	Seelig et al.
			D492,365 S	6/2004	Munoz et al.
			D492,676 S	7/2004	Monson et al.

(56)

References Cited

U.S. PATENT DOCUMENTS

D493,843 S	8/2004	Jackson, Sr. et al.	
D493,846 S	8/2004	Seelig et al.	
D495,754 S	9/2004	Wurz et al.	
D495,755 S	9/2004	Wurz et al.	
D498,267 S	11/2004	Crouch	
D500,098 S	12/2004	Doi	
6,880,825 B2	4/2005	Seelig et al.	
D505,162 S	5/2005	Bristol et al.	
D508,268 S	8/2005	Hanchar et al.	
D508,269 S	8/2005	Wichinsky	
D508,719 S	8/2005	de Haas	
D508,961 S *	8/2005	Gatto .....	D21/325
D509,254 S	9/2005	Rasmussen et al.	
D509,255 S	9/2005	Bristol et al.	
D512,105 S	11/2005	Chitrapongse et al.	
D513,511 S	1/2006	Decombe	
D515,144 S	2/2006	Boyd	
6,997,810 B2	2/2006	Cole	
D520,504 S	5/2006	Martin	
7,063,615 B2	6/2006	Alcorn et al.	
7,108,237 B2	9/2006	Gauselmann	
D531,677 S	11/2006	Mallory et al.	
7,184,277 B2	2/2007	Beirne	
D537,885 S	3/2007	Gadda et al.	
D539,854 S	4/2007	Luciano et al.	
D540,398 S	4/2007	Gadda et al.	
D546,893 S	7/2007	Yamashita	
7,247,098 B1	7/2007	Bradford et al.	
D548,801 S	8/2007	Groswirt	
D549,785 S	8/2007	Luciano, Jr. et al.	
7,267,612 B2	9/2007	Alcorn et al.	
D554,710 S	11/2007	Malone et al.	
D556,765 S	12/2007	Evans et al.	
D557,748 S	12/2007	Jumper	
D559,328 S	1/2008	Rasmussen et al.	
D559,917 S	1/2008	Cole	
D560,724 S	1/2008	Johnson	
D560,725 S	1/2008	Johnson	
D563,326 S	3/2008	Patel et al.	
D563,481 S	3/2008	Looks et al.	
D564,600 S	3/2008	Greenberg et al.	
D564,601 S	3/2008	Strahinic et al.	
D566,197 S	4/2008	Greenberg et al.	
D569,863 S	5/2008	Feldstein et al.	
D572,314 S	7/2008	Vallejo et al.	
D573,200 S *	7/2008	Hashimoto .....	D21/370
D578,168 S	10/2008	Looks et al.	
D581,983 S	12/2008	Bergstrom	
RE40,625 E	1/2009	Wurz et al.	
7,479,066 B2	1/2009	Emori	
D587,272 S	2/2009	Morrow et al.	
D587,319 S	2/2009	Moises Deiab	
RE40,671 E	3/2009	Wurz et al.	
7,503,849 B2	3/2009	Hornik et al.	
D590,025 S	4/2009	Fiore	
D591,799 S *	5/2009	Yang .....	D14/307
D594,068 S	6/2009	Hsu	
D596,678 S	7/2009	Myers	
D599,365 S	9/2009	Brown et al.	
D599,858 S	9/2009	Lesley et al.	
D599,859 S	9/2009	Lesley et al.	
D599,860 S	9/2009	Lesley et al.	
D601,637 S	10/2009	Myers et al.	
D601,638 S	10/2009	Palmisano	
D601,639 S *	10/2009	McComb .....	D21/370
D604,368 S *	11/2009	Lesley .....	D21/370
7,628,693 B2	12/2009	Thomas	
7,666,085 B2	2/2010	Vorias et al.	
7,686,689 B2	3/2010	Thomas	
D613,802 S	4/2010	Meyers et al.	
D615,598 S	5/2010	McComb et al.	
7,713,119 B2	5/2010	Pacey et al.	
D617,388 S *	6/2010	Wildner .....	D21/325
D622,780 S	8/2010	Lesley et al.	
D622,781 S	8/2010	Lesley et al.	
D622,782 S	8/2010	Chudek et al.	
D624,604 S	9/2010	Wudtke	
D625,368 S	10/2010	Nelson et al.	
D626,182 S	10/2010	Cole et al.	
D626,183 S	10/2010	Cole et al.	
7,811,167 B2	10/2010	Giobbi et al.	
D631,060 S	1/2011	Flik et al.	
D631,100 S	1/2011	Palmisano	
D633,950 S	3/2011	Terpstra et al.	
D637,238 S	5/2011	O'Keene et al.	
D637,652 S	5/2011	Tahara et al.	
7,938,728 B2	5/2011	Vetter et al.	
7,955,176 B2	6/2011	Tastad et al.	
D641,047 S	7/2011	Tahara et al.	
7,976,393 B2	7/2011	Haga et al.	
7,985,139 B2	7/2011	Lind et al.	
8,002,424 B2	8/2011	Hwang et al.	
8,002,626 B2	8/2011	Englman	
D646,336 S	10/2011	Kelly et al.	
D646,337 S	10/2011	Kelly et al.	
D646,691 S	10/2011	Thai et al.	
D649,605 S	11/2011	Terpstra et al.	
D651,608 S	1/2012	Allen et al.	
8,152,623 B2	4/2012	Fiden	
8,162,740 B2	4/2012	Aoki	
8,216,061 B2	7/2012	Pacey	
8,267,764 B1	9/2012	Aoki et al.	
D669,076 S	10/2012	Haller	
8,292,451 B2	10/2012	Hwang et al.	
8,303,420 B2	11/2012	Chudek et al.	
8,305,743 B2	11/2012	Wu et al.	
8,323,114 B2	12/2012	Burak et al.	
D673,620 S	1/2013	Johnson et al.	
D673,622 S	1/2013	Wudtke	
8,353,755 B2	1/2013	Vann et al.	
8,371,920 B2	2/2013	Gomez et al.	
8,371,927 B2	2/2013	Englman	
8,371,928 B2	2/2013	Englman et al.	
8,376,832 B2	2/2013	O'Connor et al.	
D678,955 S	3/2013	Lesley et al.	
D678,956 S	3/2013	Lesley et al.	
D678,957 S	3/2013	Cesaroni et al.	
D678,958 S	3/2013	Cesaroni et al.	
D681,130 S	4/2013	Lesley et al.	
8,430,756 B2	4/2013	McComb et al.	
D682,948 S	5/2013	Cesaroni et al.	
D685,033 S	6/2013	Wudtke	
D691,665 S	10/2013	Chudek	
D691,666 S	10/2013	Lesley et al.	
D693,343 S	11/2013	Haller	
D697,558 S	1/2014	Myers et al.	
D704,273 S *	5/2014	Chudek .....	D21/369
D704,275 S	5/2014	Lesley et al.	
D706,359 S	6/2014	Wudtke	
D706,741 S	6/2014	Myers	
D712,975 S	9/2014	Lesley et al.	
D714,875 S	10/2014	Wudtke et al.	
D715,364 S	10/2014	Wudtke et al.	
8,982,545 B2	3/2015	Kim et al.	
D730,993 S	6/2015	Castro et al.	
D740,888 S	10/2015	DePalma et al.	
D742,974 S	11/2015	Lesley et al.	
D742,975 S	11/2015	Myers et al.	
D752,573 S *	3/2016	Ballman .....	D14/307
D760,846 S	7/2016	Castro et al.	
RE46,169 E	10/2016	Kelly et al.	
D805,588 S *	12/2017	Sharp .....	D21/329
D808,354 S *	1/2018	Castro .....	D14/127
D812,146 S	3/2018	Castro et al.	
D812,147 S	3/2018	Castro et al.	
D812,148 S	3/2018	Castro et al.	
D812,149 S	3/2018	Castro et al.	
D813,954 S	3/2018	Calhoun et al.	
D819,747 S	6/2018	Castro et al.	
D820,915 S	6/2018	Lee et al.	
D833,534 S *	11/2018	Lee .....	D21/369
D839,357 S *	1/2019	Steelman .....	D21/369
D843,473 S *	3/2019	Zedell, Jr. ....	D21/369
D843,479 S *	3/2019	Castro .....	D21/369

(56)

## References Cited

## U.S. PATENT DOCUMENTS

D844,063	S *	3/2019	Lee	.....	D21/369
2002/0041069	A1	4/2002	Steelman		
2003/0122973	A1	7/2003	Huang		
2004/0018877	A1	1/2004	Tastad et al.		
2004/0029631	A1	2/2004	Duhamel		
2004/0053662	A1	3/2004	Pacey		
2005/0014547	A1	1/2005	Gomez et al.		
2006/0009284	A1	1/2006	Schwartz et al.		
2006/0028159	A1	2/2006	Otomo et al.		
2006/0034042	A1	2/2006	Hisano et al.		
2006/0079316	A1	4/2006	Flemming et al.		
2006/0131810	A1	6/2006	Nicely		
2006/0183553	A1	8/2006	Kiriyama et al.		
2006/0199638	A1	9/2006	Walker et al.		
2006/0287111	A1	12/2006	Mitchell et al.		
2008/0039213	A1	2/2008	Cornell et al.		
2008/0051202	A1	2/2008	Lube		
2009/0174996	A1	7/2009	Park		
2010/0053231	A1	3/2010	Park		
2012/0122569	A1	5/2012	Kowolik et al.		
2012/0168058	A1	7/2012	Kim et al.		
2013/0180653	A1	7/2013	Kim et al.		
2013/0278875	A1	10/2013	Kim et al.		
2014/0055696	A1	2/2014	Lee et al.		
2014/0092356	A1	4/2014	Ahn et al.		
2014/0176856	A1	6/2014	Lee et al.		
2014/0226111	A1	8/2014	Kim		
2014/0226112	A1	8/2014	Kim		
2014/0354938	A1	12/2014	Kim		
2014/0368782	A1	12/2014	Kim et al.		
2014/0375963	A1	12/2014	Bishop		
2015/0000823	A1	1/2015	Kim et al.		
2015/0036073	A1	2/2015	Im et al.		
2015/0116621	A1	4/2015	Park et al.		
2015/0116625	A1	4/2015	Hwang et al.		
2015/0301390	A1	10/2015	Kim		
2018/0075689	A1 *	3/2018	Castro	.....	G07F 17/322

## FOREIGN PATENT DOCUMENTS

KR	10-1113734	B1	2/2012
KR	10-2012-0051630		5/2012
KR	10-1268471	B1	6/2013
KR	10-1278904	B1	6/2013
KR	10-1336677	B1	12/2013
KR	10-1381609	B1	4/2014
KR	10-1381610	B1	4/2014
KR	10-2015-0013987		2/2015
KR	10-1539221	B1	7/2015
TW	200949775	A	12/2009

## OTHER PUBLICATIONS

Brochure for “Virtual Pinball,” Tab-Austria, 2007 (8 pages).  
 Cabinet Brochure for Hydako Co., date estimated as early as 2009 (1 page).  
 Catalog for “Your Partner Innovation,” Bally Technologies, date estimated as early as 2011 (4 pages).  
 Catalog for Atronic®-Spielo®, date estimated as early as 2008 (2 pages).  
 Cohran; “Why Samsung’s curved-screen TV might be a ‘game changer’”; CBS News; Aug. 14, 2013; retrieved from <<http://www.cbsnews.com/news/why-samsungs-curved-screen-tv-might-be-a-game-changer/>> (3 pages).  
 DailyTech; “AUO Shows Off Curved Display and Touch Screen”; May 23, 2008; retrieved from <<http://www.dailytech.com/AUO+Shows+Off+Curved+Display+and+Touch+Screen+Tech/article11845.htm>> on Mar. 3, 2017 (2 pages).  
 Daniel; “Curved Monitors—Overview”; Curved Monitor Test; Aug. 28, 2015; retrieved from <<http://www.curved-monitor-test.de/>> (5 pages).

Denison; “Why can’t you buy a flat OLED yet? The curve isn’t just about viewing experience”; Digital Trends; Aug. 18, 2013; retrieved from <<http://www.digitaltrends.com/home-theater-why-did-the-us-get-stuck-with-curved-oled/#!zXypT>> (8 pages).  
 DigiTimes Inc.; “FPD China 2009: AUO 8.9-inch convex display panel”; Mar. 12, 2009; retrieved from <<http://www.digitimes.com/photogallery/showphoto.asp?ID=3376>> on Mar. 3, 2017 (3 pages).  
 Fall & Winter Catalog for Aristocrat, date estimated as early as 2010-2011 (7 pages).  
 Gizmodo.com; “AUO Curved Displays, Ultra Thin LCDs on the Way”; May 20, 2008; retrieved from <<http://gizmodo.com/392248/auo-curved-displays-ultra-thin-lcds-on-the-way>> on Mar. 3, 2017 (2 pages).  
 Immersaview; “Why choose a Curved Screen for your Multi-Projector Setup”; Jan. 28, 2016; retrieved from <<https://www.immersaview.com/resources/why-curved/>> (7 pages).  
 Kelly; “TV trends at CES: 4K, curves and smart TVs”; CNN; Jan. 8, 2014; retrieved from <<http://www.cnn.com/2014/01/07/tech/gaming-gadgets/ces-television-trends/>> (5 pages).  
 Ljt216; “Flat Screen vs Curved CRTs for Retro Games”; Reddit; Jul. 29, 2015; retrieved from <[https://www.reddit.com/r/gamecollecting/comments/3f25r0/flat\\_screen\\_vs\\_curved\\_crts\\_for\\_retro\\_games/](https://www.reddit.com/r/gamecollecting/comments/3f25r0/flat_screen_vs_curved_crts_for_retro_games/)> (4 pages).  
 Manjoo; “TV Makers Are Out of Ideas”; Wall Street Journal; Jan. 8, 2014; retrieved from <<https://www.wsj.com/news/articles/SB100014240527023033938045790308801012230792>> (4 pages).  
 Matthias; “Curved TV—Overview”; Curved TV Test; Apr. 20, 2016; retrieved from <<http://technikblog.net/fernseher-test/curved-tv/>> (16 pages, in German).  
 Morrison; “Curved OLED HDTV screens are a bad idea (for now)”; CNET; Jun. 18, 2013; retrieved from <<https://www.cnet.com/news/curved-oled-hdtv-screens-are-a-bad-idea-for-now/>> (9 pages).  
 NewLaunches.com; “LG Phillips LCD develops world’s highest resolution 14.3-inch flexible color E-paper display!”; Jan. 3, 2008; retrieved from <[http://newlaunches.com/archives/lgphillips\\_lcd\\_develops\\_worlds\\_highest\\_resolution\\_143inch\\_flexible\\_color\\_epaper\\_display.php](http://newlaunches.com/archives/lgphillips_lcd_develops_worlds_highest_resolution_143inch_flexible_color_epaper_display.php)> (4 pages).  
 OLED-Info; “LG Phillips LCD Develops 14.3-Inch Color E-Paper Display”; Jan. 4, 2008; retrieved from <[http://www.oled-info.com/lg/lg\\_phillips\\_lcd\\_develops\\_14\\_3\\_inch\\_color\\_e\\_paper\\_display](http://www.oled-info.com/lg/lg_phillips_lcd_develops_14_3_inch_color_e_paper_display)>; (2 pages).  
 PC World; “AU Optronics Shows off Curved LCD Screen”; May 20, 2008; retrieved from <<http://www.pcworld.com/article/146083/article.amp.html>> on Mar. 3, 2017 (3 pages).  
 Photonics industry and Technology Development Association (PIDA); “E-Paper Shows Potential at Creating a Paperless Haven”; OptoLink Magazine, 3 Quarter 2008; pp. 8-11 (4 pages).  
 Product Catalog for “Alpha Elite™,” Bally Technologies, date estimated as early as 2008-2009 (2 pages).  
 Product Catalog for Ainsworth Game Technology Ltd, date estimated as early as 2007 (6 pages).  
 Product Catalog for Bally Technologies, date estimated as early as 2010 (2 pages).  
 Product Sheet for “3RV™,” WMS Gaming Inc., 2002 or earlier (2 pages).  
 Product Sheet for “American Eagle,” Eagle Co. Ltd., 1997 (2 pages).  
 Product Sheet for “American Eagle,” Eagle Co., Ltd., 2000 (2 pages).  
 Product Sheet for “EVO™ Hybrid,” Bally Gaming Systems, 2002 (4 pages).  
 Product Sheet for “Miss America,” AC Coin & Slot, 2002 or earlier (2 pages).  
 Product Sheet for “Monopoly Chairman of the Board™,” WMS Gaming Inc., 1999 (2 pages).  
 Product Sheet for “ProSLOT® 6000,” Bally Gaming Systems, 2002 (4 pages).  
 Product Sheet for “Survivor,” WMS Gaming Inc., 2001 (4 pages).  
 Product Sheet for “Ultrapin™,” Global VR, 2007 (1 pages).  
 Snider; “Sony tosses latest pitch for curved TV displays”; USA Today; Oct. 15, 2013; retrieved from <<http://www.usatoday.com/story/tech/personal/2013/10/15/new-curved-sony-led-hdtv/2982051/>> (2 pages).

(56)

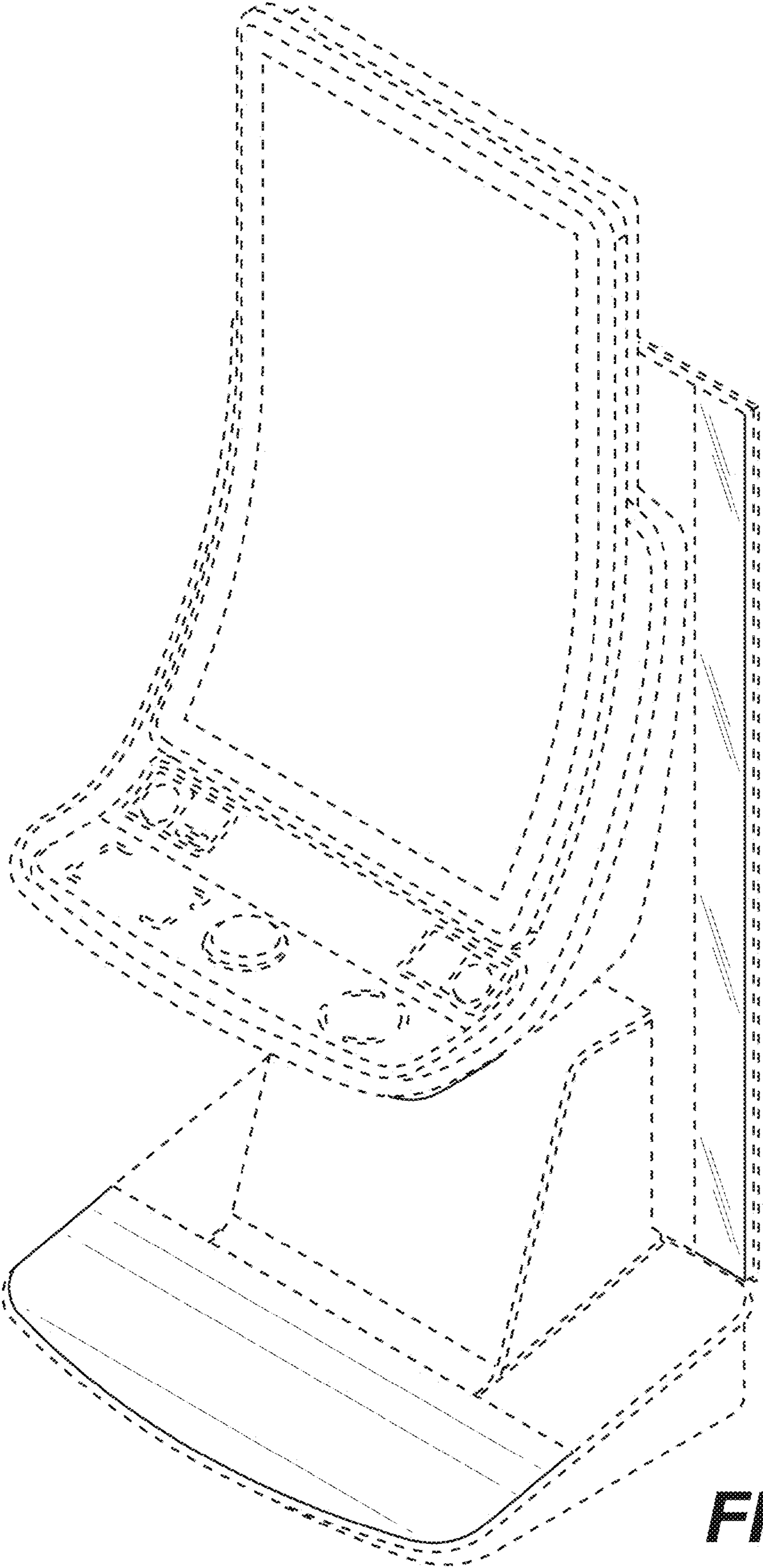
**References Cited**

OTHER PUBLICATIONS

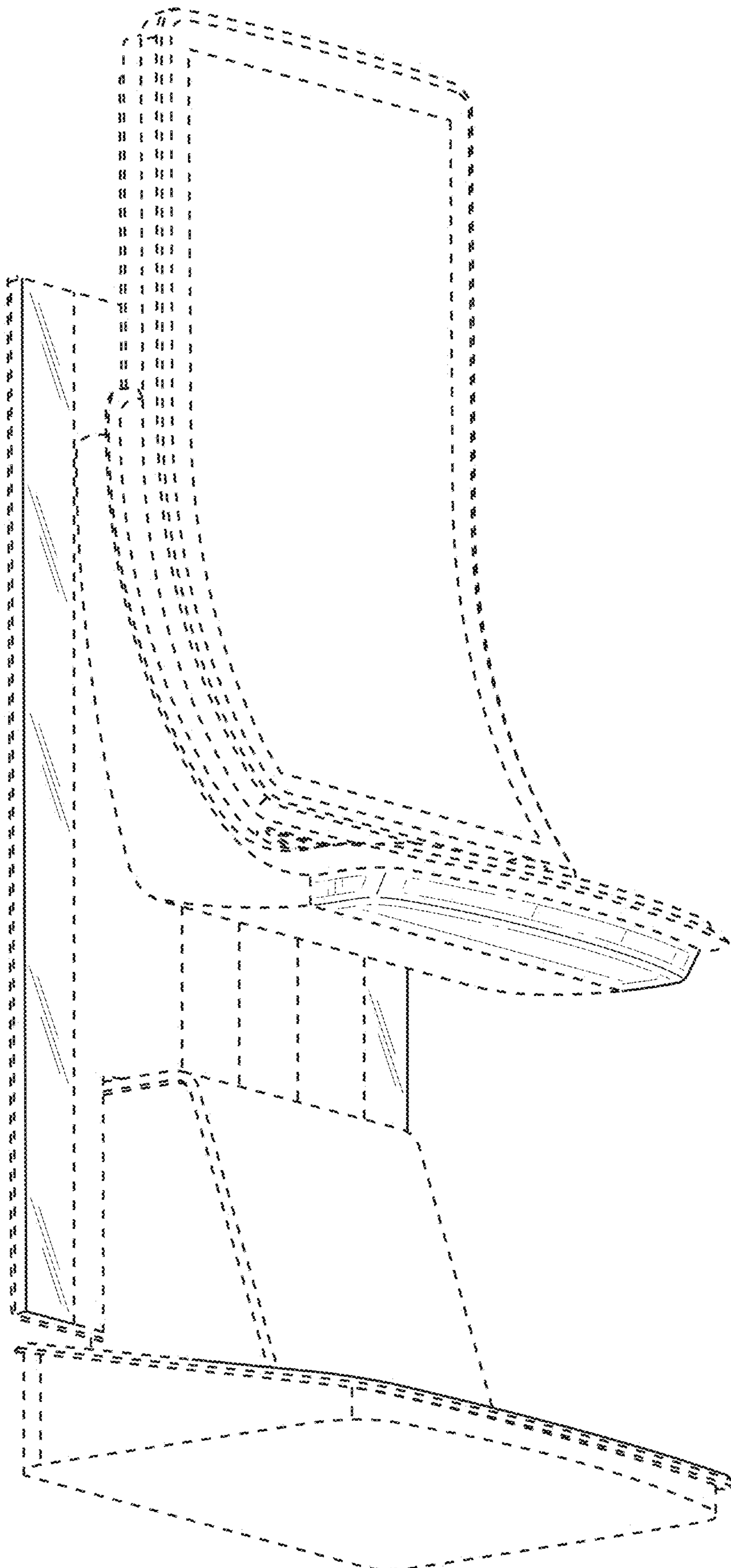
Wilcox; "LG, Samsung, and Sony throw TV buyers a curve"; Consumer Reports; Sep. 10, 2013; retrieved from <<http://www.consumerreports.org/cro/news/2013/09/curved-tv-screens/index.htm#>> (1 page).

Wood, M., Major, C., Carr, V. eds.; "Curved Screens: Worth It?" video found at <<http://www.nytimes.com/video/technology/personaltech/10000002788325/curved-screens-worth-it.html>>; New York Times; Mar. 26, 2014.

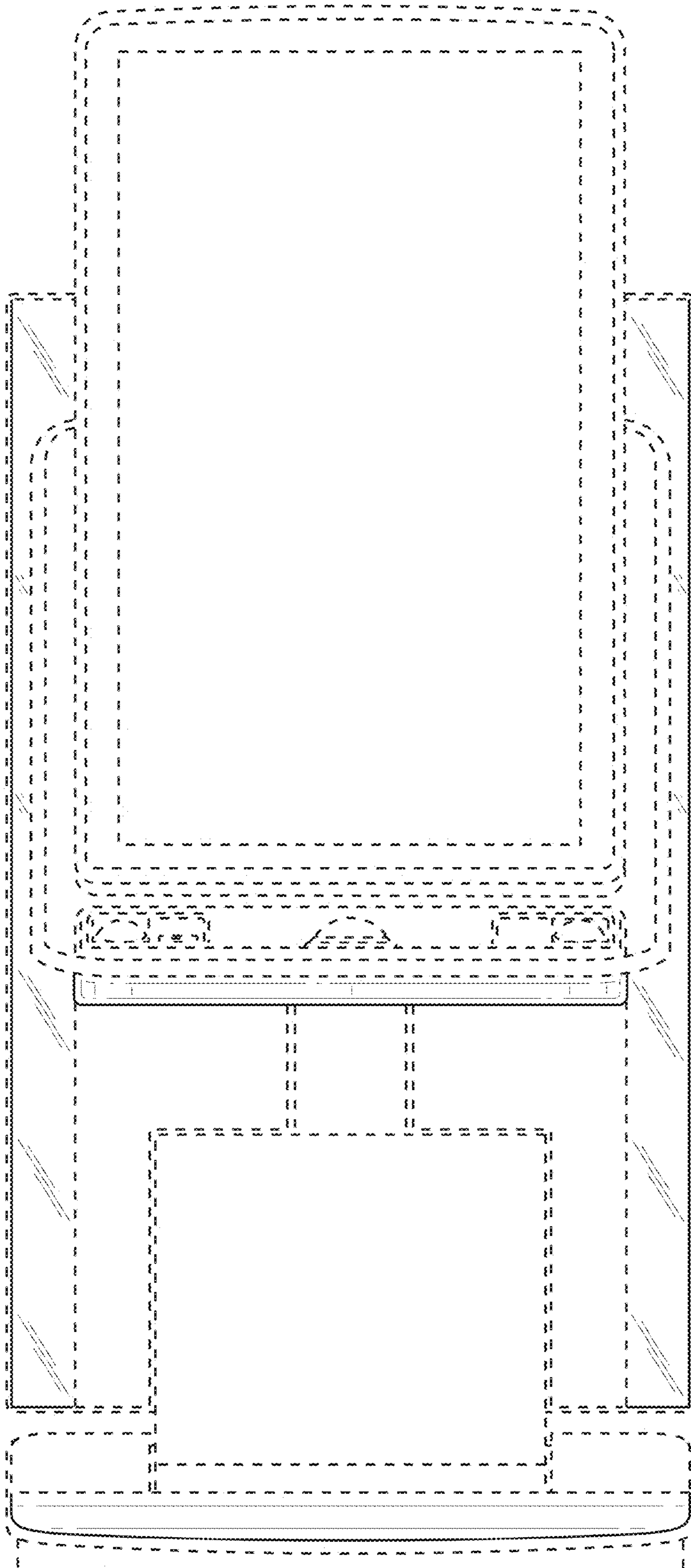
\* cited by examiner



**FIG. 1**

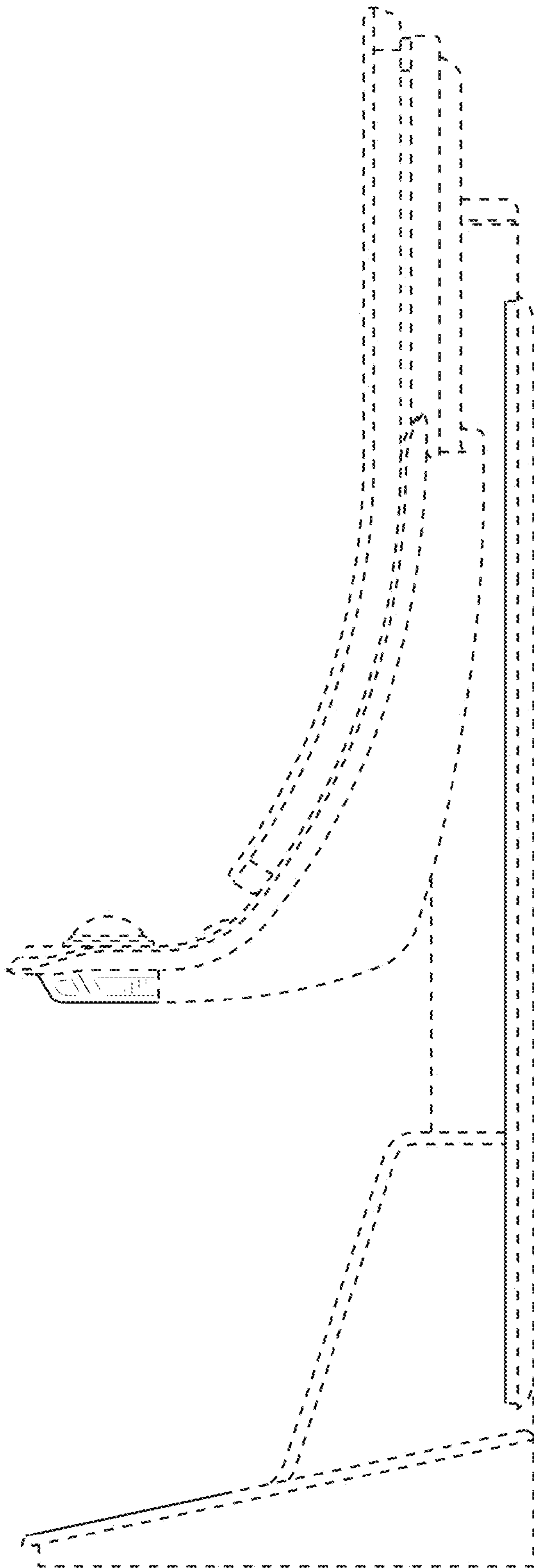


**FIG. 2**

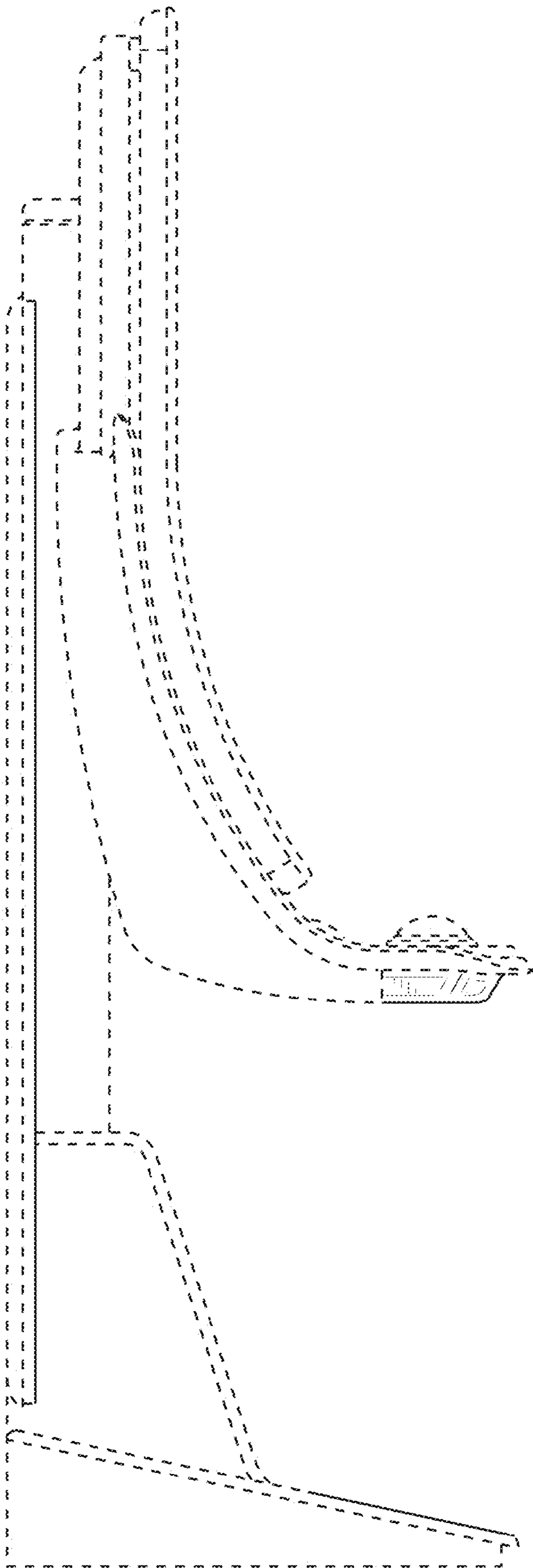


**FIG. 3**

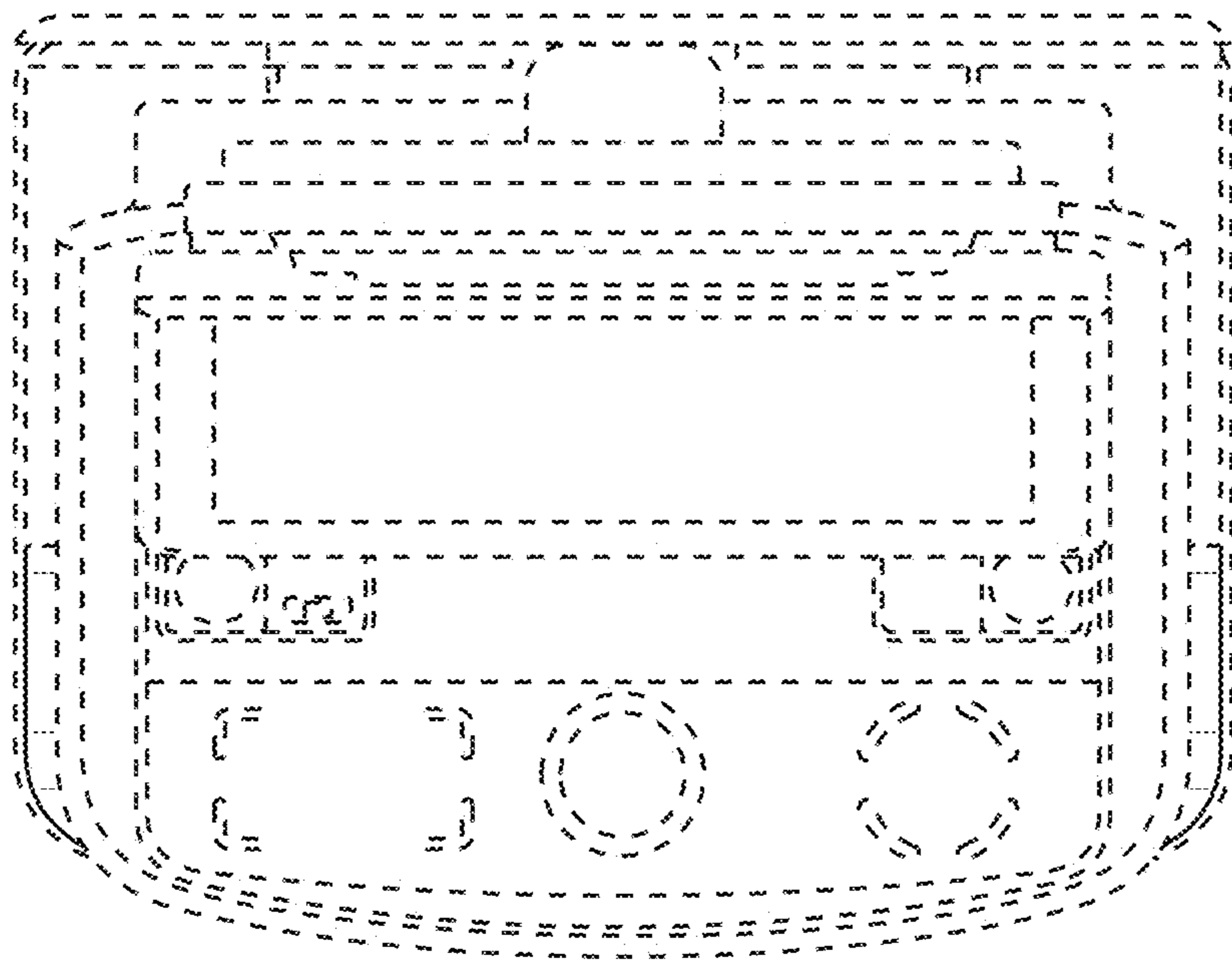




**FIG. 4**



**FIG. 5**



**FIG. 6**