



US00D882689S

(12) **United States Design Patent** (10) **Patent No.:** **US D882,689 S**  
**Boyer** (45) **Date of Patent:** **\*\* Apr. 28, 2020**

(54) **TRIM STRIP FOR CHANNEL SIGNAGE**

2,190,958 A 2/1940 Vander Clute  
2,388,221 A 10/1945 Smith  
2,921,393 A 1/1960 Wood

(71) Applicant: **SignComp, LLC**, Grand Rapids, MI (US)

(Continued)

(72) Inventor: **Clyde H. Boyer**, Concord, OH (US)

**FOREIGN PATENT DOCUMENTS**

(73) Assignee: **SIGNCOMP, LLC**, Grand Rapids, MI (US)

KR 1020110041077 4/2011  
WO 2006006823 1/2006

(\*\*) Term: **15 Years**

**OTHER PUBLICATIONS**

(21) Appl. No.: **29/680,619**

Photographs of Jewelite—brand channel sign trim strip by Wagner Zip-Change, Inc.; believed to have been on sale prior to the earliest priority date of the present application.

(22) Filed: **Feb. 18, 2019**

*Primary Examiner* — Mary Ann Calabrese  
(74) *Attorney, Agent, or Firm* — Gardner, Linn, Burkhardt & Ondersma LLP

**Related U.S. Application Data**

(60) Division of application No. 29/552,948, filed on Jan. 27, 2016, now Pat. No. Des. 841,096, which is a continuation-in-part of application No. 14/390,605, filed as application No. PCT/US2013/024748 on Feb. 5, 2013, now Pat. No. 9,261,121.

(57) **CLAIM**

The ornamental design for a trim strip for channel signage, as shown and described.

(51) **LOC (12) Cl.** ..... **20-03**

(52) **U.S. Cl.**  
USPC ..... **D20/44**

**DESCRIPTION**

(58) **Field of Classification Search**  
USPC ..... D20/10, 19, 43, 44, 49; D6/580, 702; D8/377; D25/119–121  
CPC ... G09F 1/10; G09F 1/103; G09F 1/12; G09F 3/08; G09F 3/12; G09F 3/18; G09F 3/185; G09F 3/20; G09F 3/201; A48G 1/065

FIG. 1 is a rear perspective view of another trim strip for channel signage showing my new design; FIG. 2 is a front perspective view thereof; FIG. 3 is another front perspective view thereof, shown mounted to a sign structure; FIG. 4 is a rear elevation thereof; FIG. 5 is a front elevation thereof; FIG. 6 is a right side elevation thereof, wherein the left side elevation is a mirror image of FIG. 6; FIG. 7 is a top plan view thereof; and, FIG. 8 is a bottom plan view thereof.

See application file for complete search history.

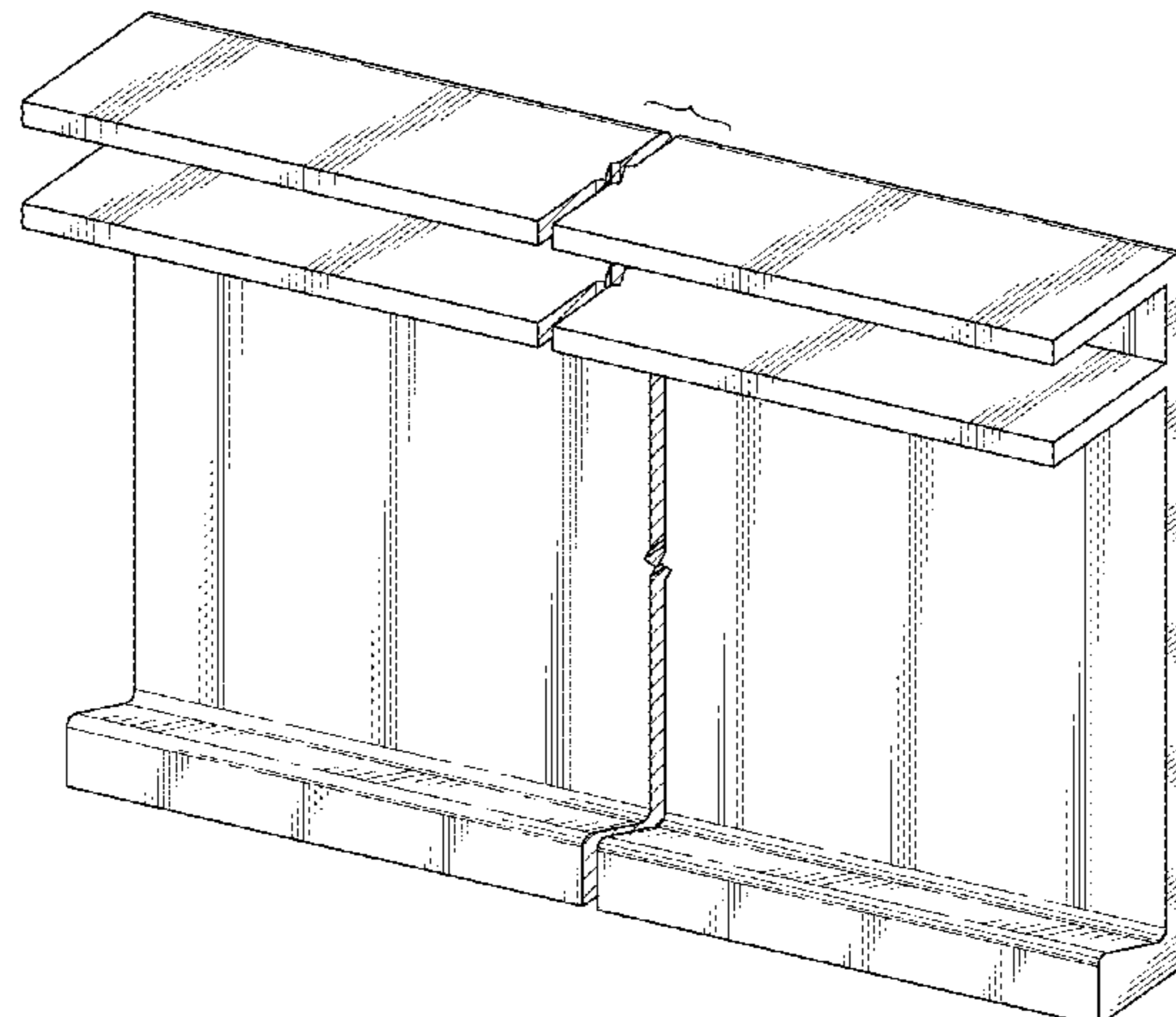
The trim strip for channel signage is shown broken away in FIGS. 1-5 and 7-8, at areas designated with brackets. The appearance of any portion of the article between the break lines forms no part of the claimed design.

(56) **References Cited**

**U.S. PATENT DOCUMENTS**

1,697,501 A 1/1929 Gast  
1,721,918 A 7/1929 Meyercord  
2,141,995 A 12/1938 Lang  
D115,247 S \* 6/1939 Bonnell ..... D25/119  
D117,685 S \* 11/1939 Bonnell ..... D25/125

(Continued)



The broken lines are included for the purpose of illustrating environmental structure that forms no part of the claimed design.

**1 Claim, 5 Drawing Sheets**

(56)

**References Cited**

U.S. PATENT DOCUMENTS

D202,759	S	11/1965	Fisher	
3,254,436	A	6/1966	Bank	
3,579,886	A	5/1971	Hughes	
D221,854	S *	9/1971	Dowdell, Jr. ....	D23/373
3,760,552	A	9/1973	Skoetsch	
3,977,112	A	8/1976	Breer, II	
3,988,846	A	11/1976	Kuhling	
4,024,658	A	5/1977	Hoerner	
4,097,632	A	6/1978	Minogue et al.	
4,545,140	A	10/1985	Winston	
D290,617	S	6/1987	Griffin	
4,796,170	A	1/1989	Pedersen et al.	
5,189,822	A	3/1993	Schmanski et al.	
D393,045	S	3/1998	Hsu	
5,791,080	A	8/1998	Hamano	
6,119,990	A *	9/2000	Kump .....	A47F 5/0068 211/57.1

6,318,585	B1	11/2001	Asagiri et al.	
D452,081	S	12/2001	Rowan	
6,478,686	B1	11/2002	Chen	
6,481,132	B1	11/2002	Grate et al.	
6,748,686	B2	6/2004	Grate et al.	
7,096,638	B2	8/2006	Osterland et al.	
7,181,875	B2	2/2007	Lewis	
D552,687	S	10/2007	Smalley	
D554,773	S *	11/2007	Antonic .....	D25/119
7,427,088	B1	9/2008	Annerino et al.	
D630,683	S	1/2011	Vrotsos	
8,424,230	B2	4/2013	Boyer	
8,434,251	B2	5/2013	Lee et al.	
D683,797	S *	6/2013	Sjodin .....	A47F 5/0068 D20/44
8,484,871	B2	7/2013	Boyer	
8,701,319	B2	4/2014	Boyer	
8,756,841	B2	6/2014	Boyer	
9,126,252	B2	9/2015	Lim et al.	
9,261,121	B2	2/2016	Boyer	
D789,454	S *	6/2017	Prisnie .....	D20/44
D841,096	S *	2/2019	Boyer .....	H02B 1/04 D20/44
D866,221	S *	11/2019	Chiquin .....	D6/579
2002/0104241	A1	8/2002	Grate et al.	
2004/0165357	A1 *	8/2004	Schneeberger .....	H02B 1/04 361/724
2009/0145011	A1	6/2009	Walton	
2017/0178551	A1	6/2017	Boyer et al.	

\* cited by examiner

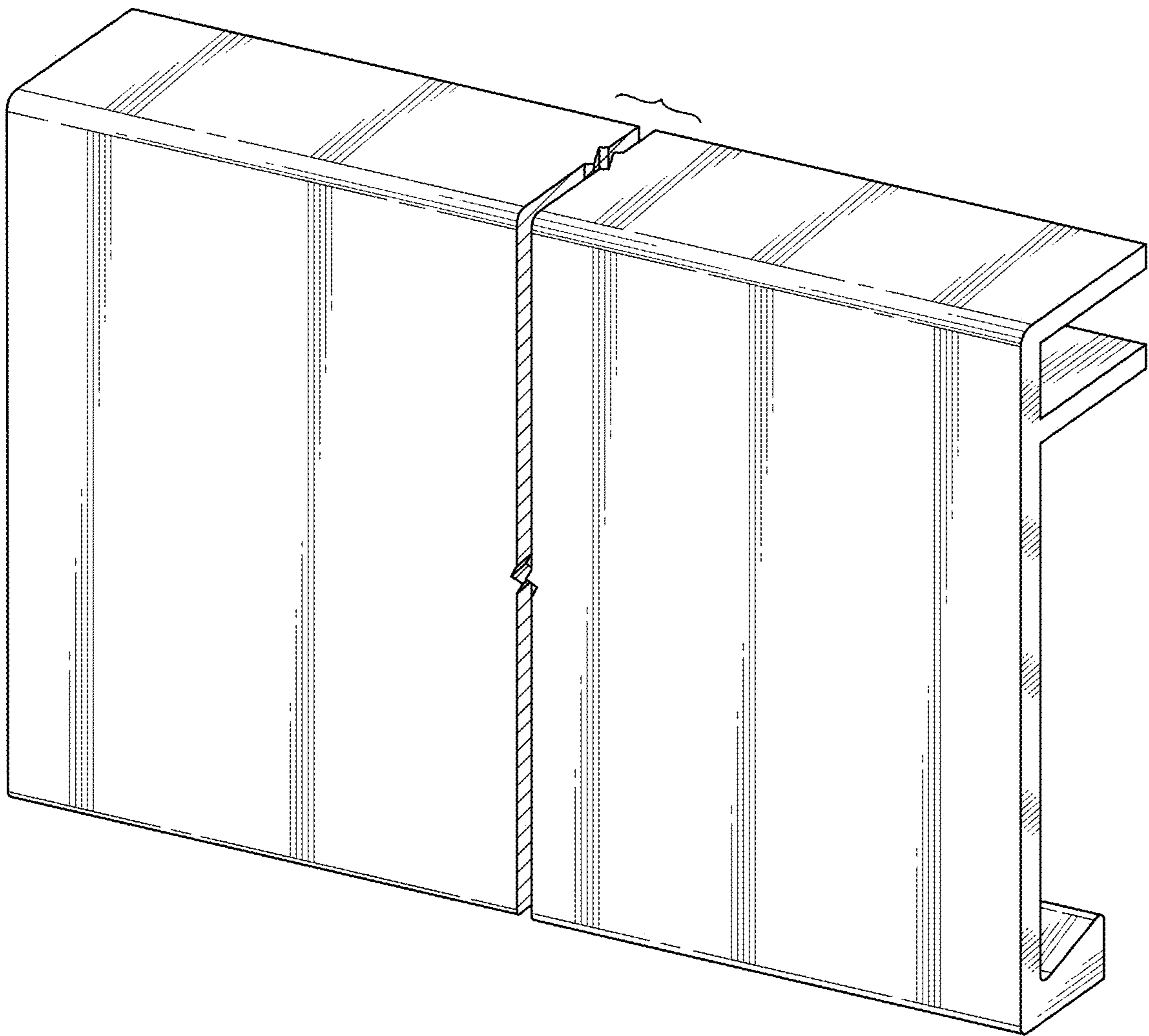


FIG. 1

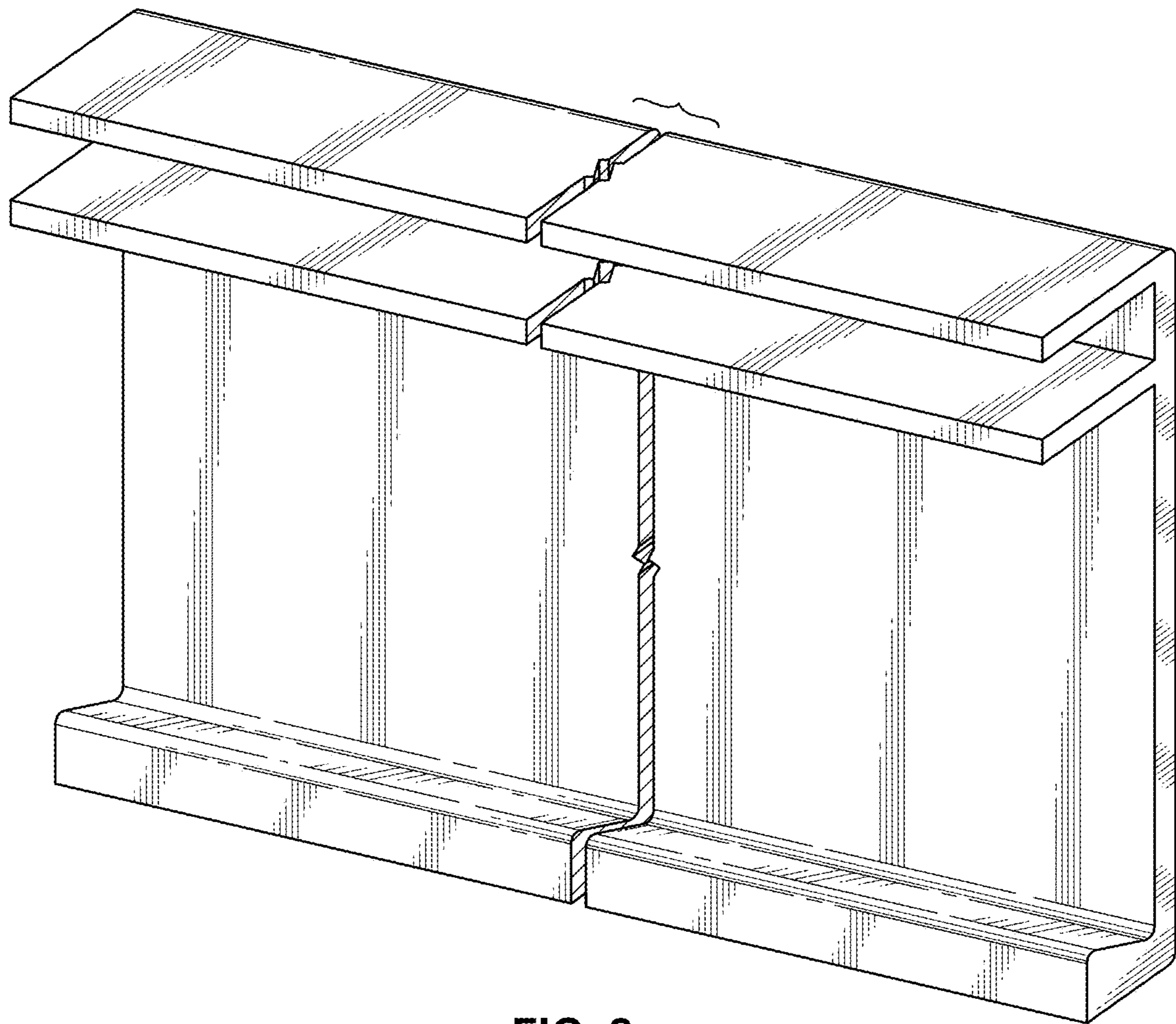


FIG. 2

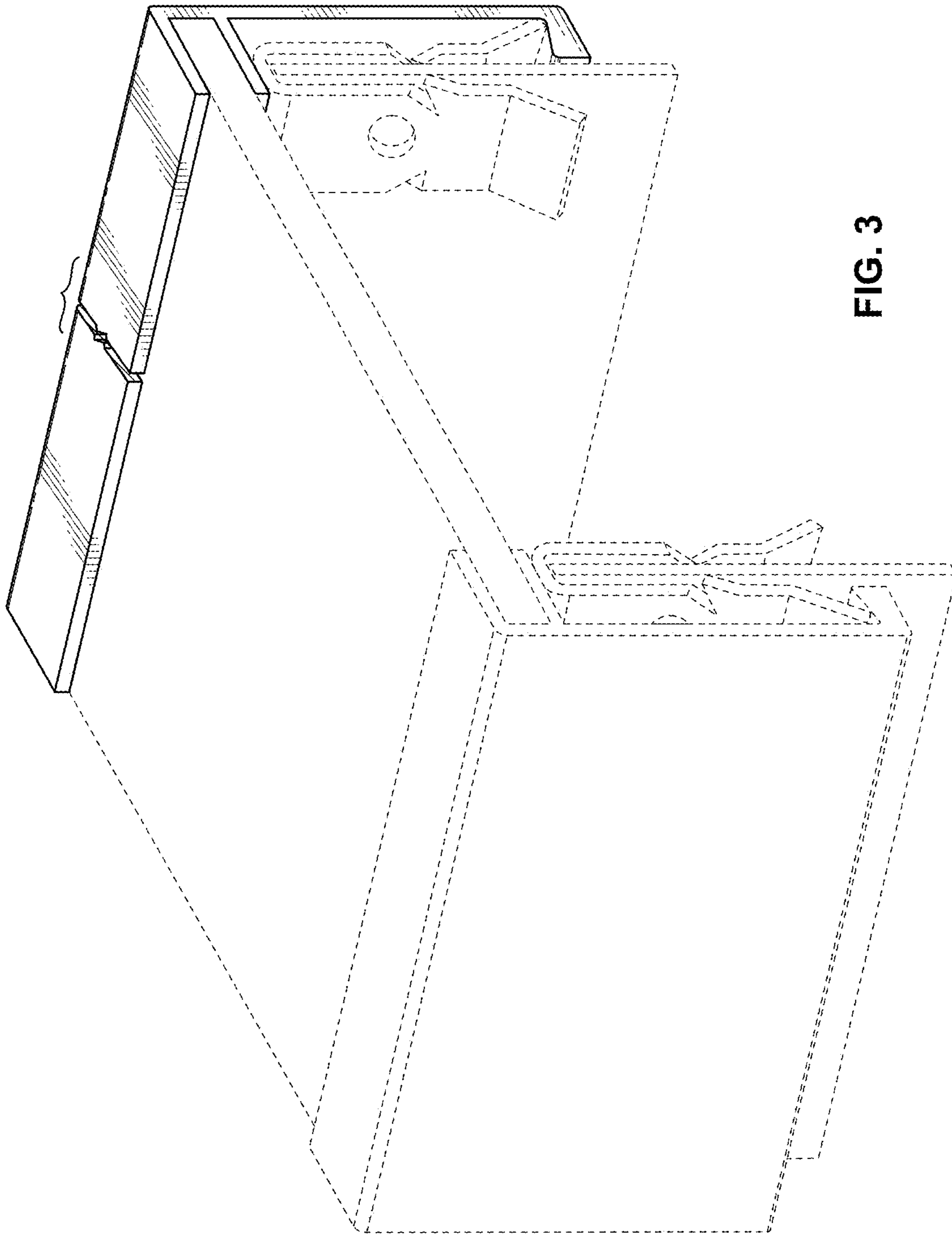


FIG. 3

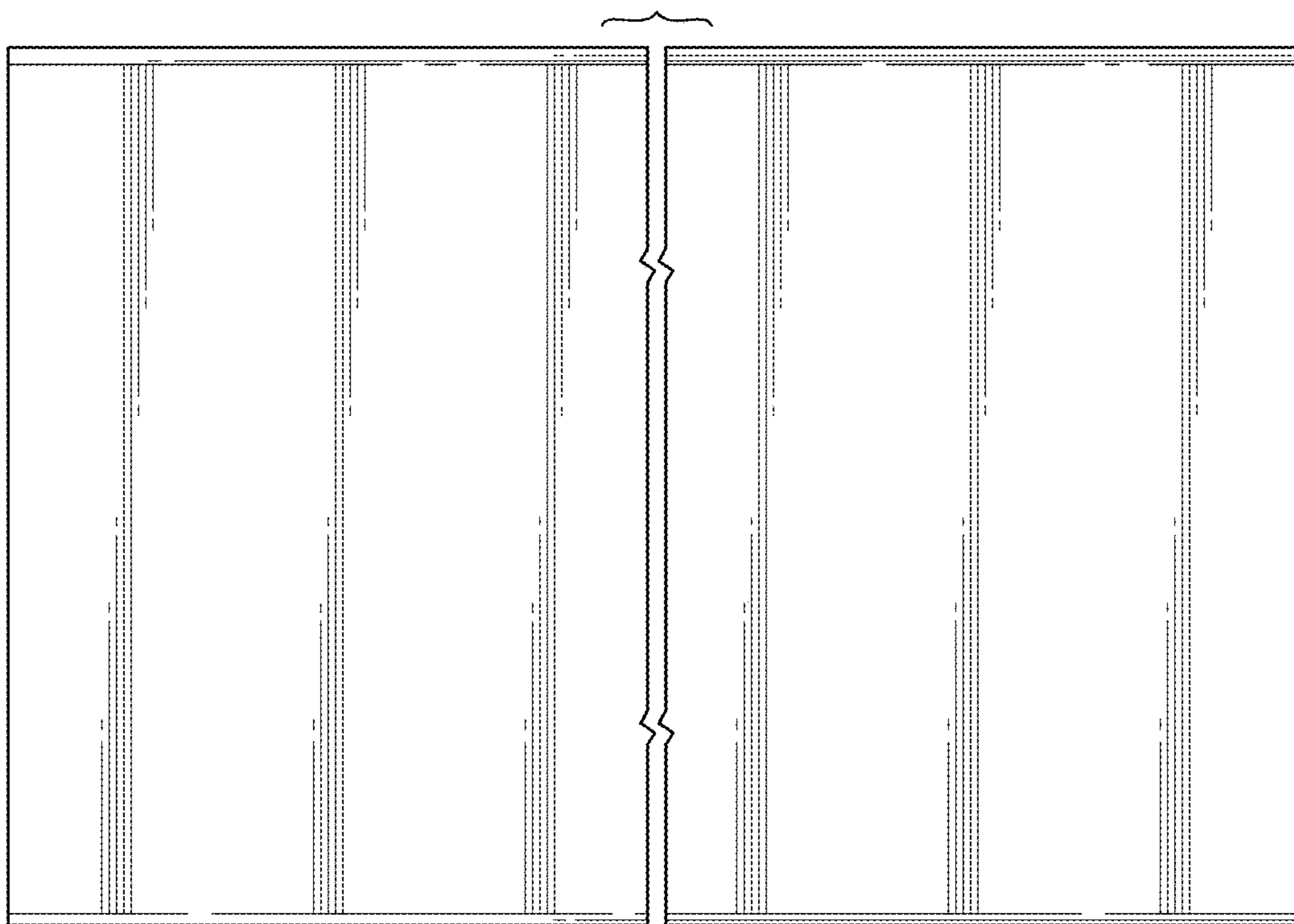


FIG. 4

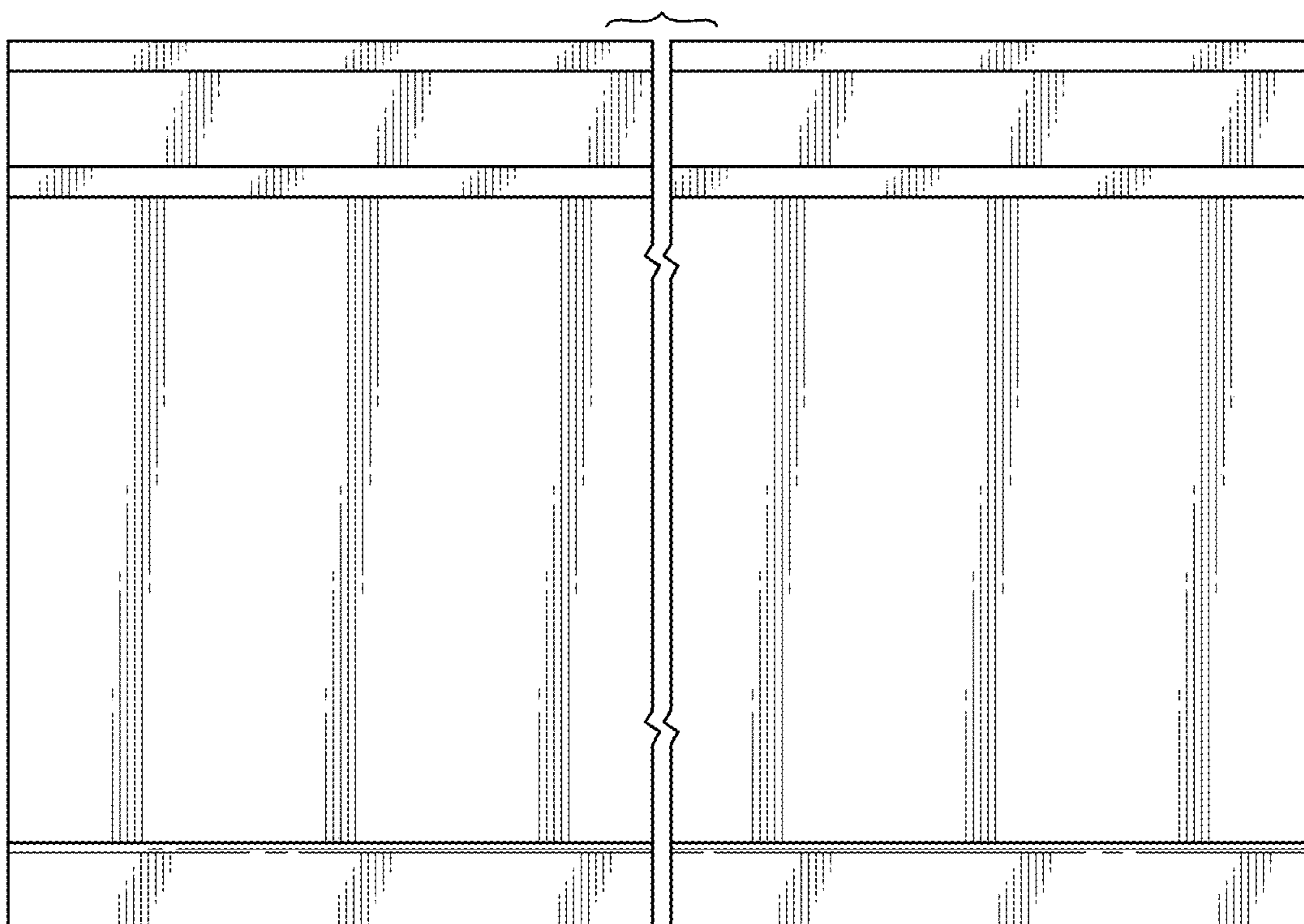


FIG. 5

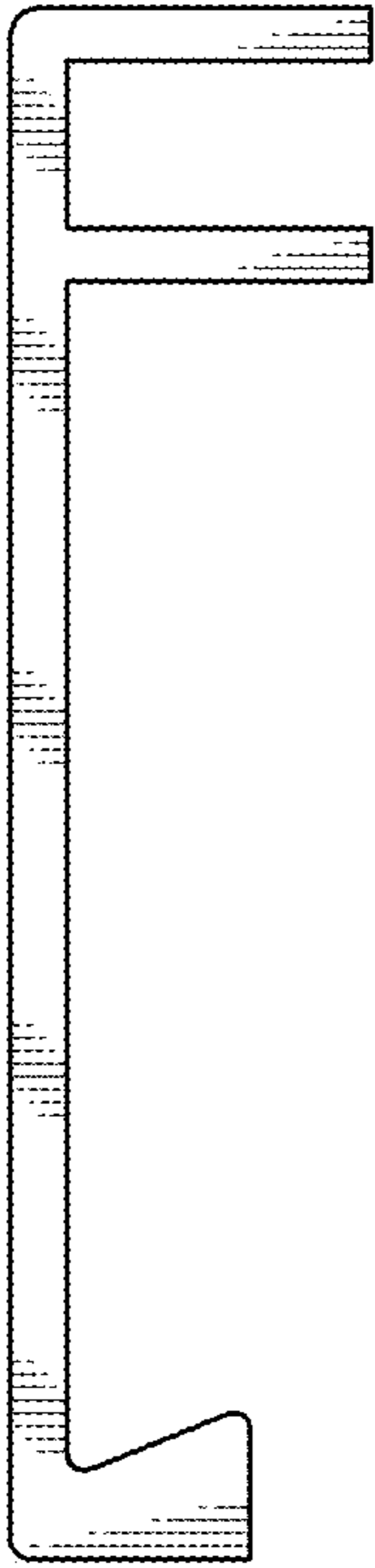


FIG. 6

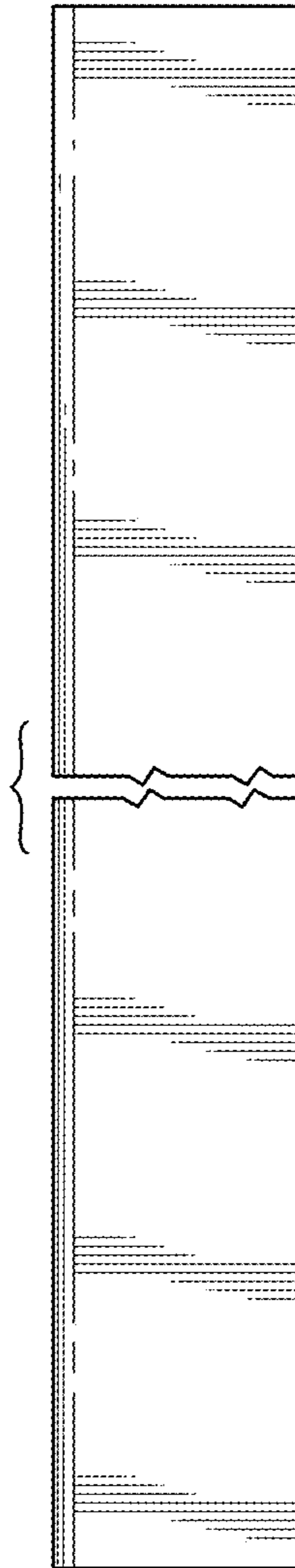


FIG. 7

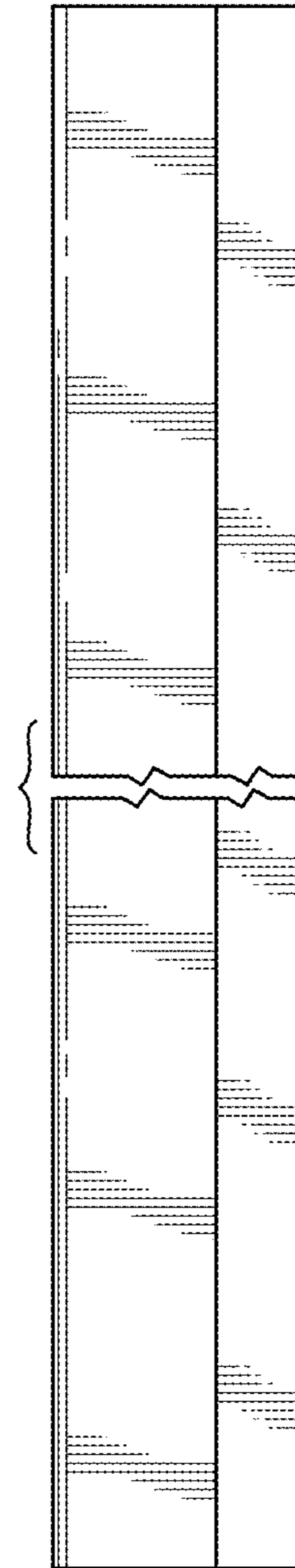


FIG. 8