



US00D882688S

(12) **United States Design Patent** (10) **Patent No.:** **US D882,688 S**
Sandahl Näs (45) **Date of Patent:** **** Apr. 28, 2020**

- (54) **REVERSE VENDING MACHINE**
- (71) Applicant: **Tomra Systems ASA**, Asker (NO)
- (72) Inventor: **Silje Sandahl Näs**, Bærums Verk (NO)
- (73) Assignee: **TOMRA SYSTEMS ASA**, Asker (NO)
- (**) Term: **15 Years**
- (21) Appl. No.: **29/706,268**
- (22) Filed: **Sep. 19, 2019**

- D441,023 S 4/2001 Vaajakallio
- D477,366 S 7/2003 Tandberg
- D504,158 S 4/2005 Tandberg

(Continued)

OTHER PUBLICATIONS

New Tomra, posted at Youtube.com, posted on Jul. 19, 2018, sited visit Jun. 20, 2019, online, available from internet: <https://www.youtube.com/watch?v=23ZPm2DGJvk> (Year: 2018).

Primary Examiner — Mary Ann Calabrese
Assistant Examiner — Catherine Ho
(74) *Attorney, Agent, or Firm* — Buchanan Ingersoll & Rooney PC

Related U.S. Application Data

- (62) Division of application No. 29/638,874, filed on Mar. 1, 2018, now Pat. No. Des. 874,570.

Foreign Application Priority Data

- Sep. 1, 2017 (EM) 004195501-0002
- Sep. 1, 2017 (EM) 004195501-0003
- Sep. 1, 2017 (EM) 004195501-0005
- Sep. 1, 2017 (EM) 004195501-0008
- Sep. 1, 2017 (EM) 004195501-0009
- Sep. 1, 2017 (EM) 004195501-0011

- (51) **LOC (12) Cl.** **20-01**
- (52) **U.S. Cl.**
USPC **D20/1; D20/5**

- (58) **Field of Classification Search**
USPC D20/1-9; D15/79, 81, 89; D99/28
CPC G06Q 20/18; G07F 7/00; G07F 7/025;
G07F 7/08; G07F 7/12; G07F 11/00;
G07F 11/02; G07F 11/62; G07F 11/165;
G07F 7/069; G07F 17/00; G07F 17/40
See application file for complete search history.

(56) **References Cited**

U.S. PATENT DOCUMENTS

- 5,361,913 A 11/1994 Melchionna
- D425,563 S * 5/2000 Tandberg D20/8
- D434,449 S 11/2000 Tandberg

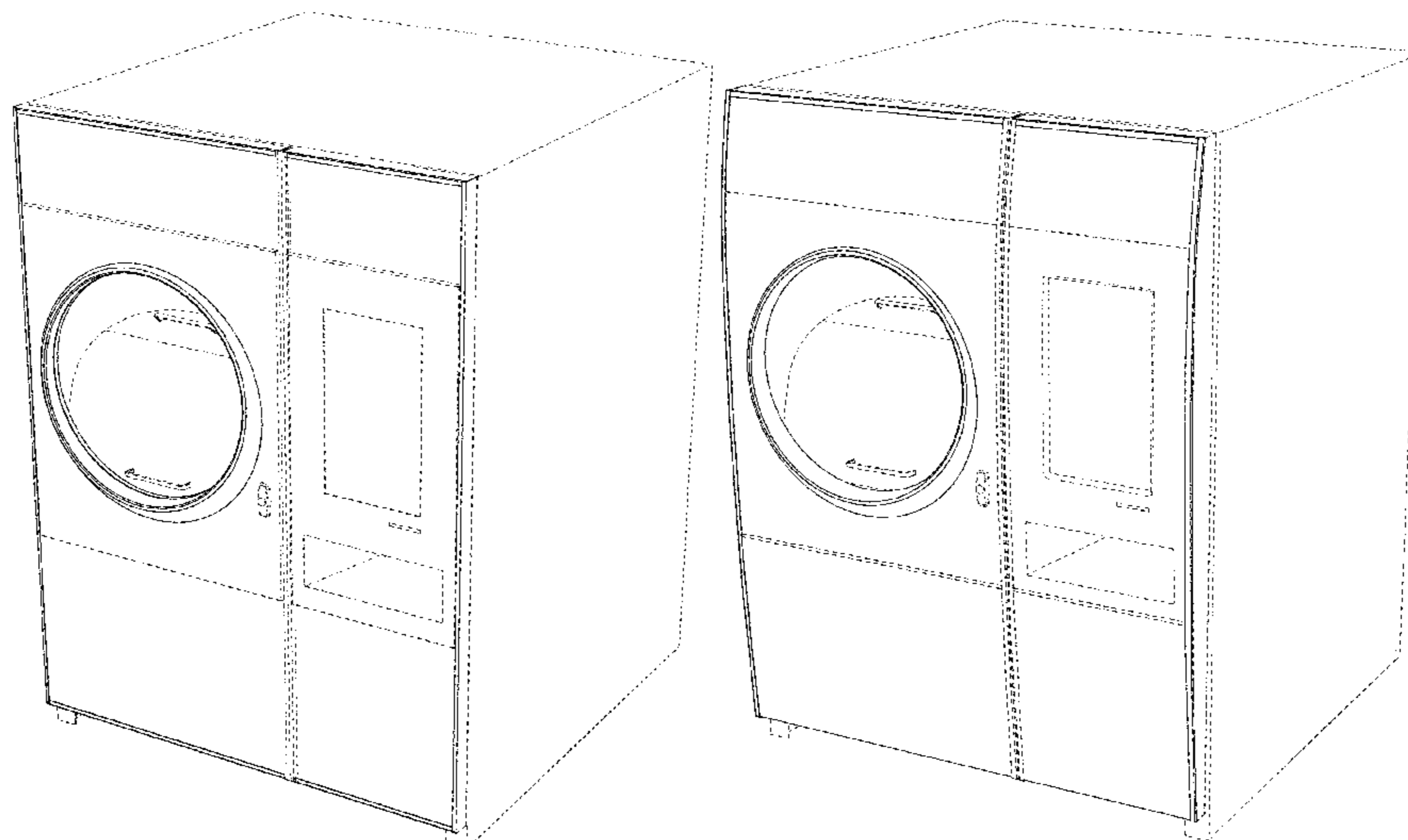
(57) **CLAIM**

The ornamental design for reverse vending machine, as shown and described.

DESCRIPTION

FIG. 1 is a perspective view of a first embodiment of a reverse vending machine showing my new design; FIG. 2 is a front elevational view thereof; FIG. 3 is a right side elevational view thereof; FIG. 4 is a left side elevational view thereof; FIG. 5 is a top plan view thereof; FIG. 6 is a rear elevational view thereof; FIG. 7 is a bottom plan view thereof; FIG. 8 is a perspective view of a second embodiment of a reverse vending machine showing my new design; FIG. 9 is a front elevational view thereof; FIG. 10 is a right side elevational view thereof; FIG. 11 is a left side elevational view thereof; FIG. 12 is a top plan view thereof; FIG. 13 is a rear elevational view thereof; and, FIG. 14 is a bottom plan view thereof. The broken lines shown in the drawings depict portions of the reverse vending machine that form no part of the claimed design.

1 Claim, 14 Drawing Sheets



(56)

References Cited

U.S. PATENT DOCUMENTS

D521,073	S	5/2006	Sandahl	
D541,870	S	5/2007	Tandberg	
D604,770	S	11/2009	Sandahl	
D644,472	S *	9/2011	Ponzio	D7/307
D647,355	S *	10/2011	Ponzio	D7/307
8,851,265	B2	10/2014	Morishita et al.	
9,189,911	B2	11/2015	Kavli et al.	
D753,227	S	4/2016	Sandahl	
D772,522	S *	11/2016	Henderson	D99/28
D827,717	S	9/2018	Sandahl	
D833,528	S *	11/2018	Kim	D20/1
10,210,693	B2	2/2019	Hannawa et al.	
10,246,260	B2 *	4/2019	Hartung	B65G 11/103
D874,570	S *	2/2020	Sandahl Nas	D20/1
2010/0026807	A1 *	2/2010	S Ther	G07F 7/0609
				348/150
2012/0173014	A1 *	7/2012	Morishita	B08B 3/02
				700/224
2014/0147005	A1 *	5/2014	Kavli	G07F 7/0609
				382/103
2019/0180551	A1	6/2019	Hannawa et al.	

* cited by examiner

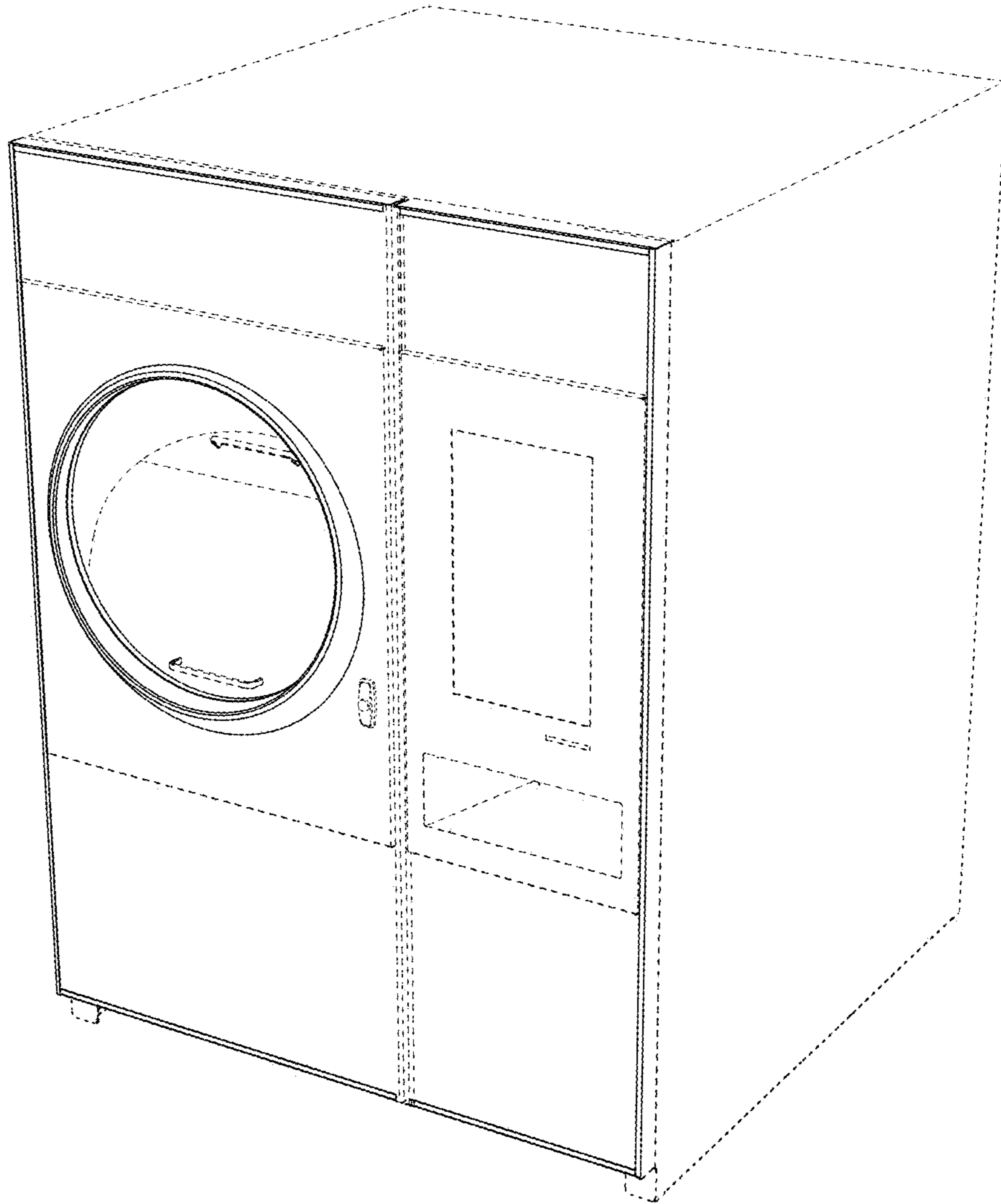


Figure 1

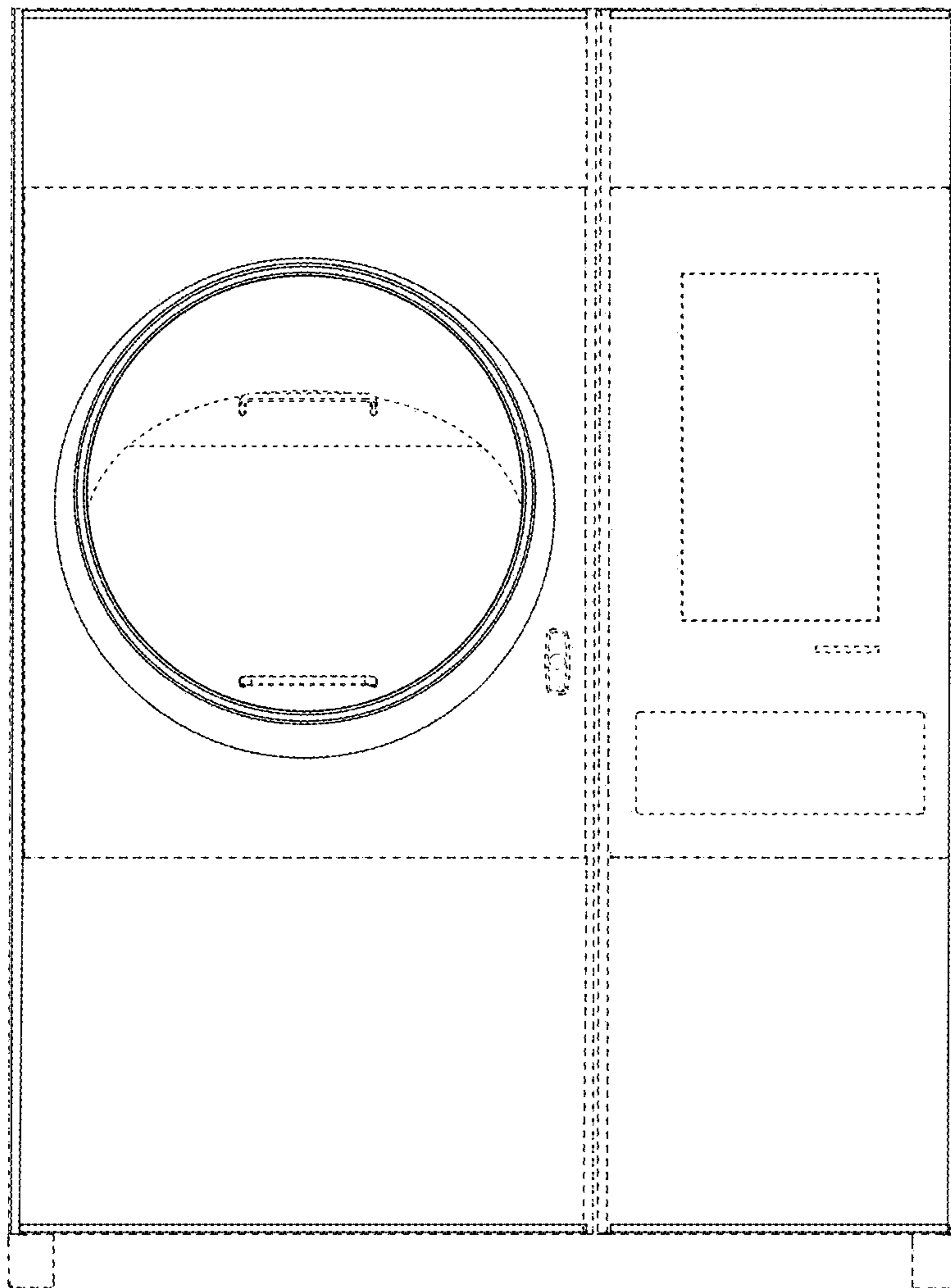


Figure 2

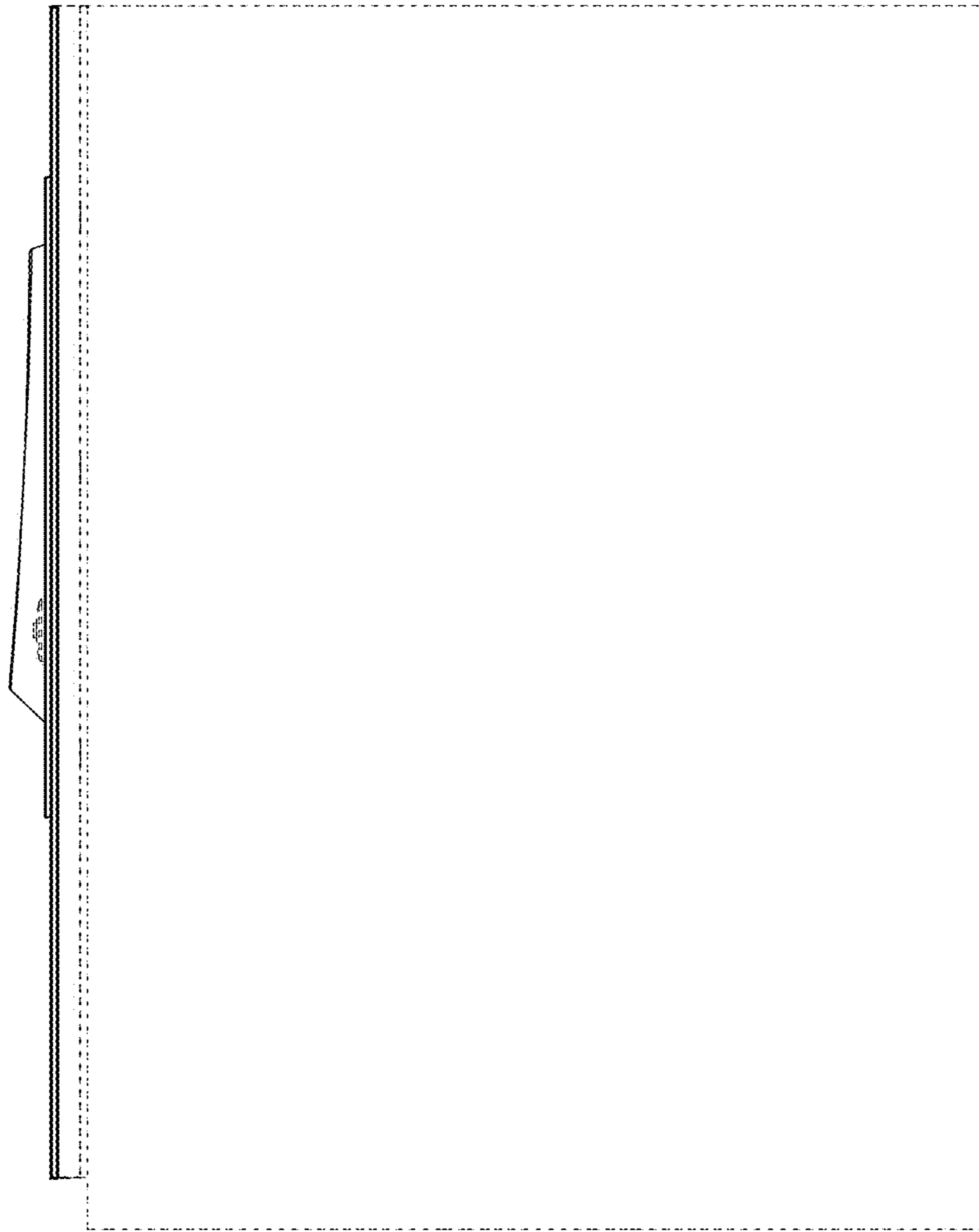


Figure 3

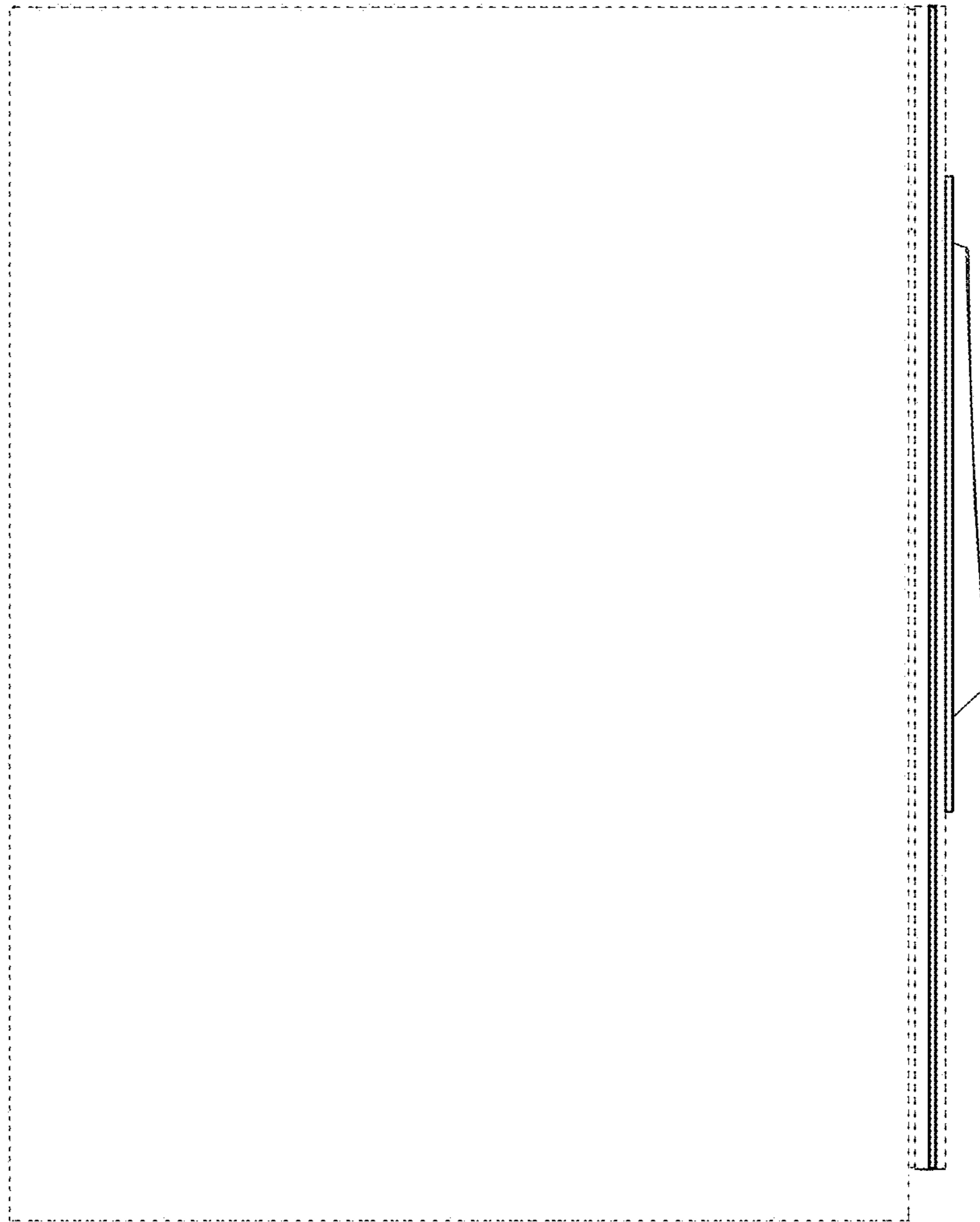


Figure 4

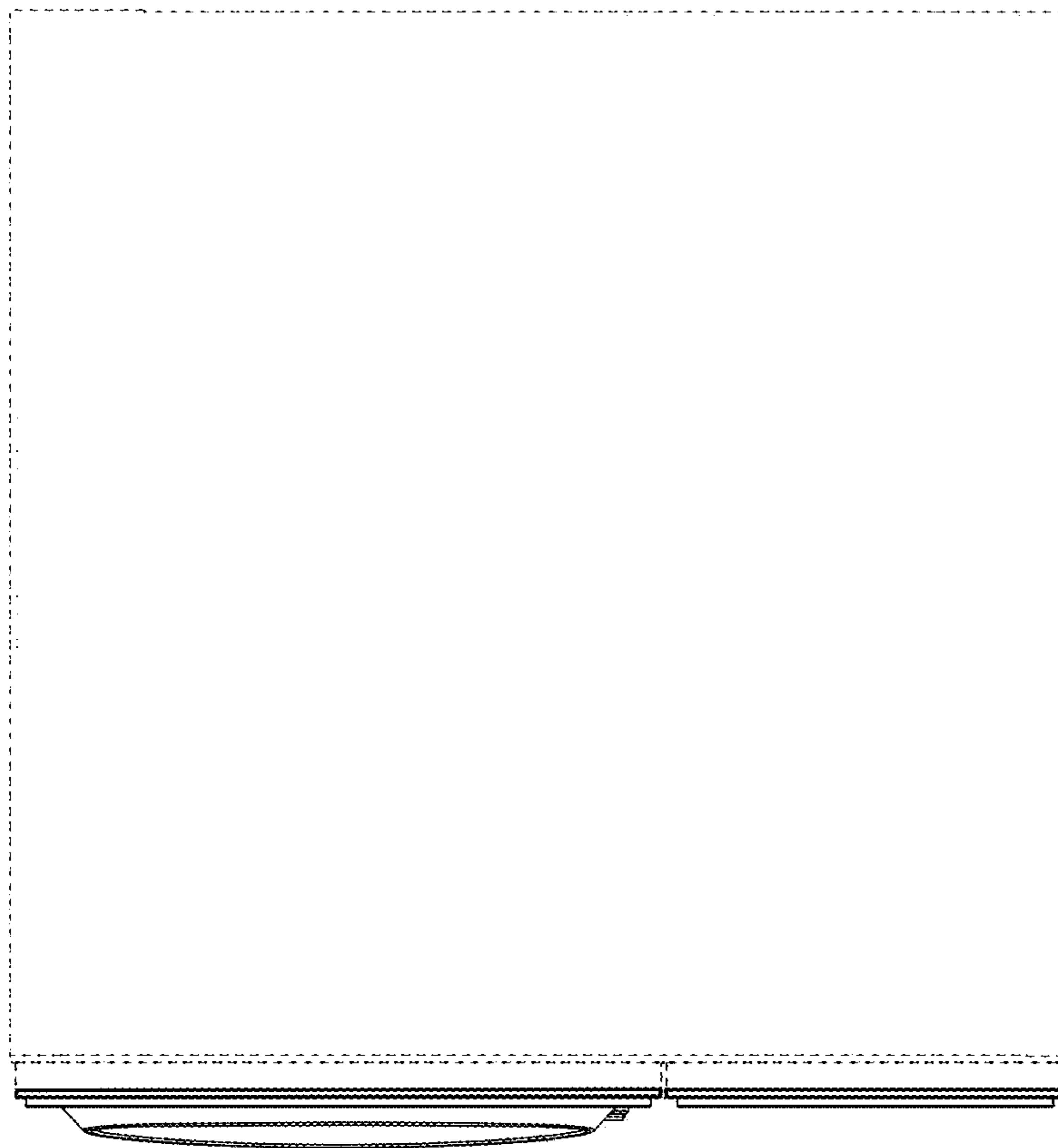


Figure 5



Figure 6

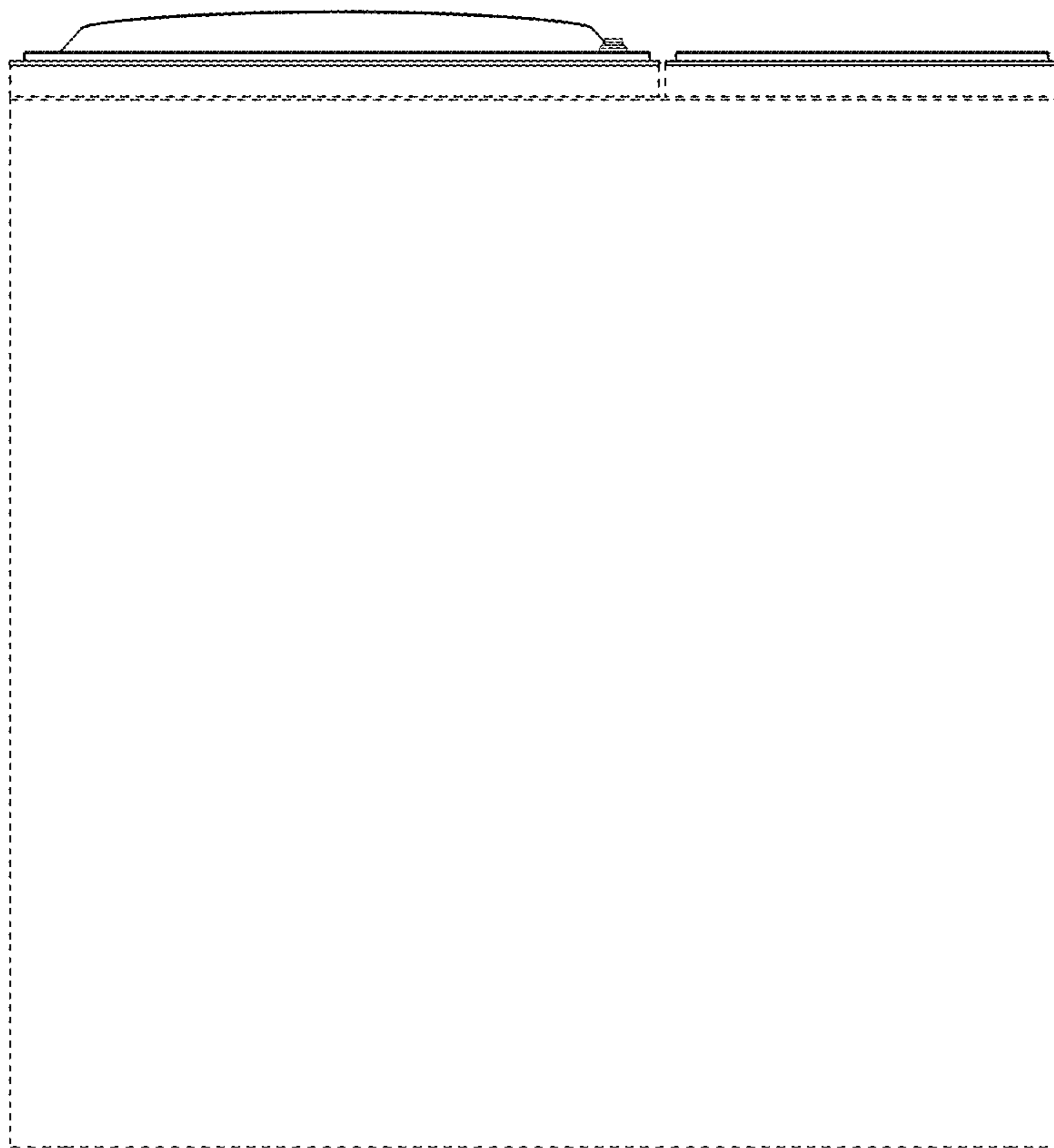


Figure 7

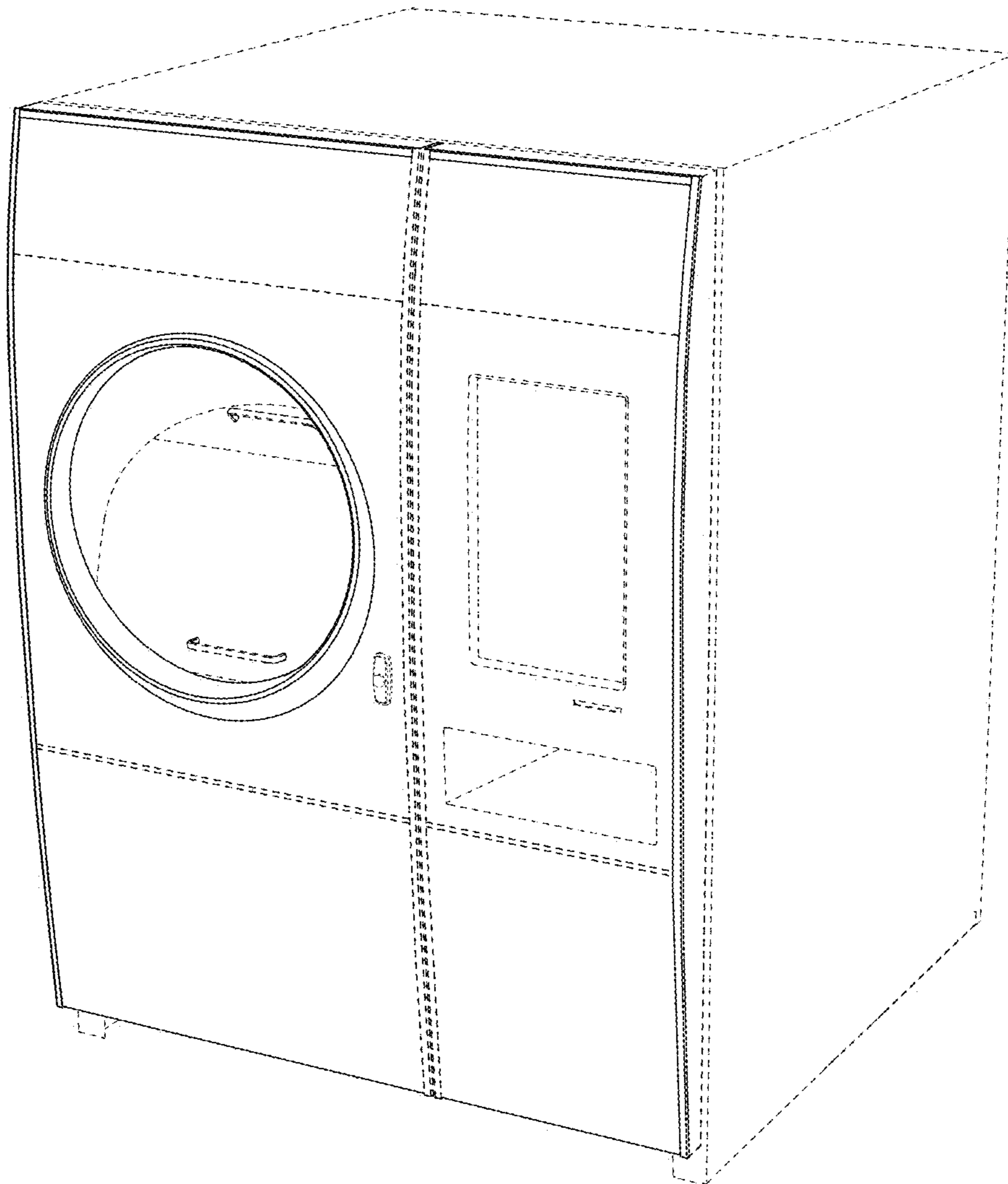


Figure 8

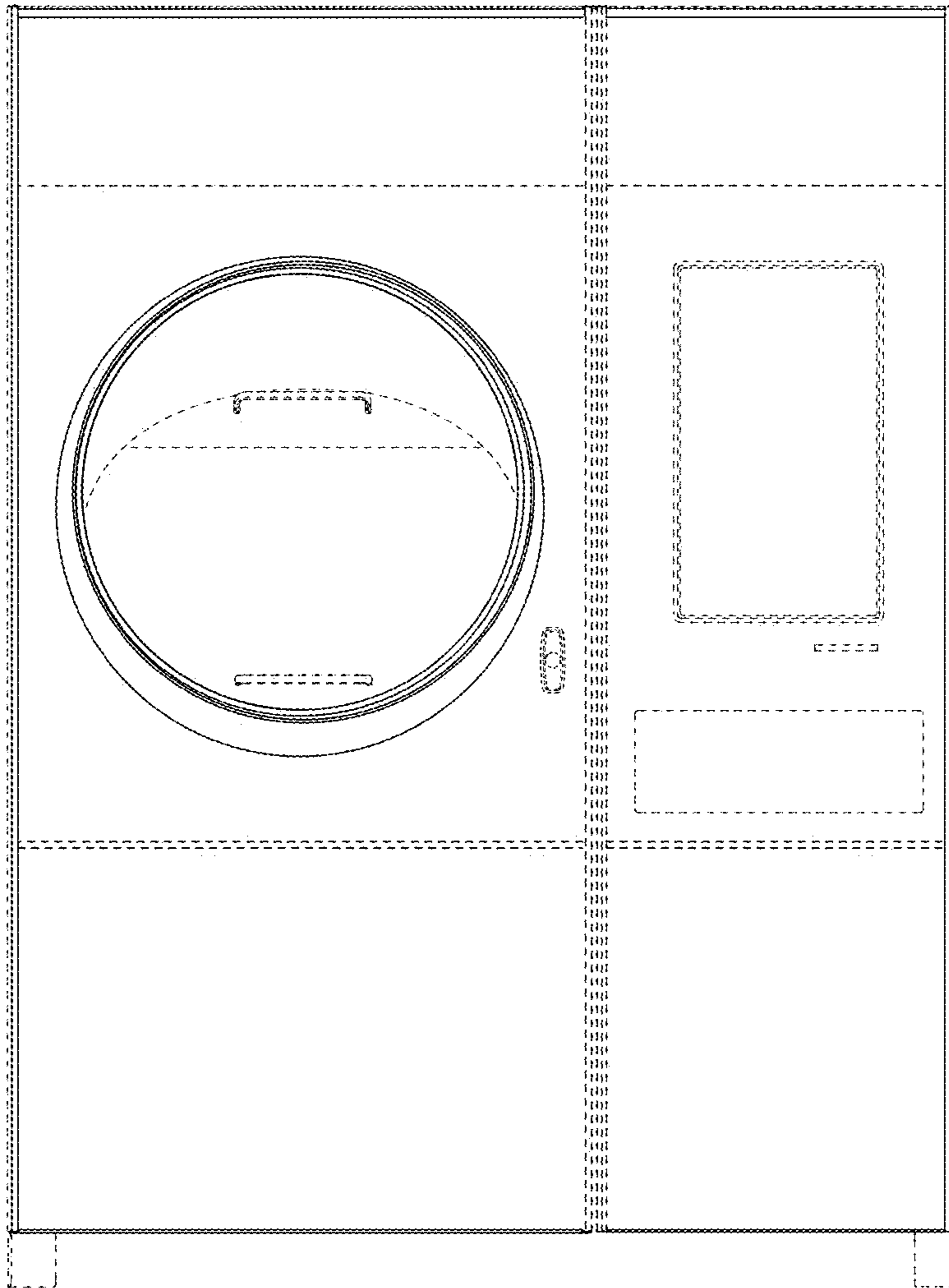


Figure 9

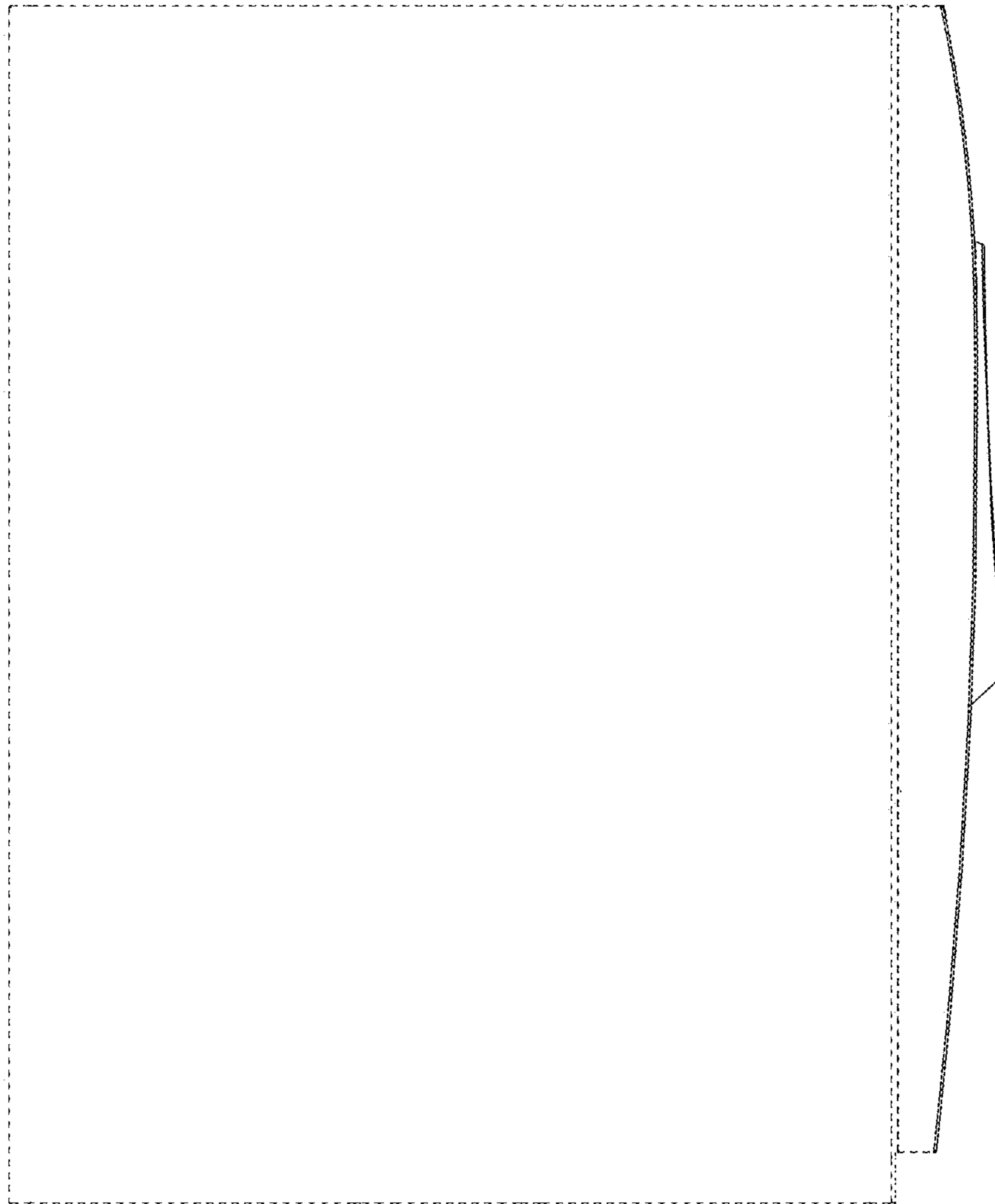


Figure 11

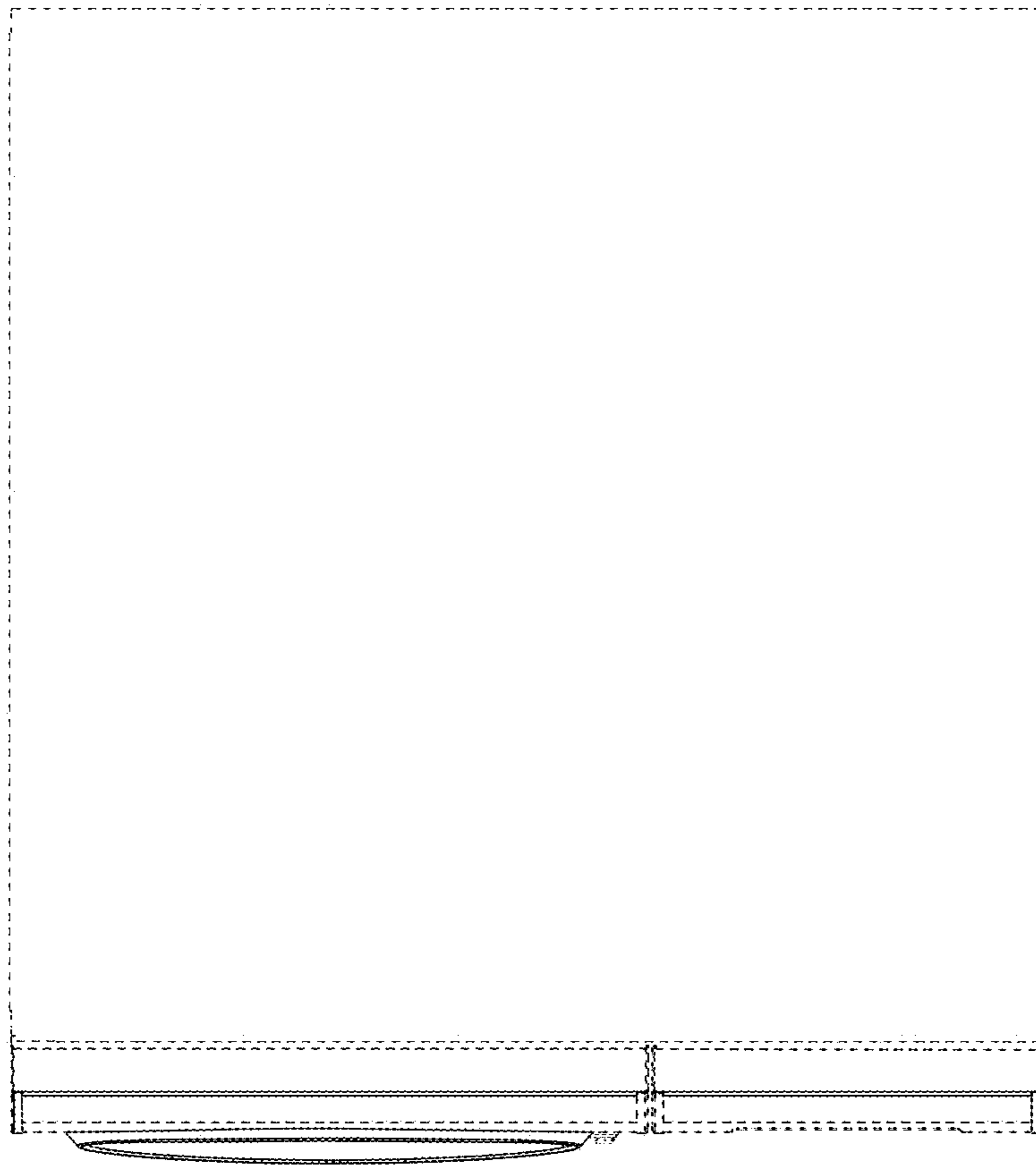


Figure 12



Figure 13

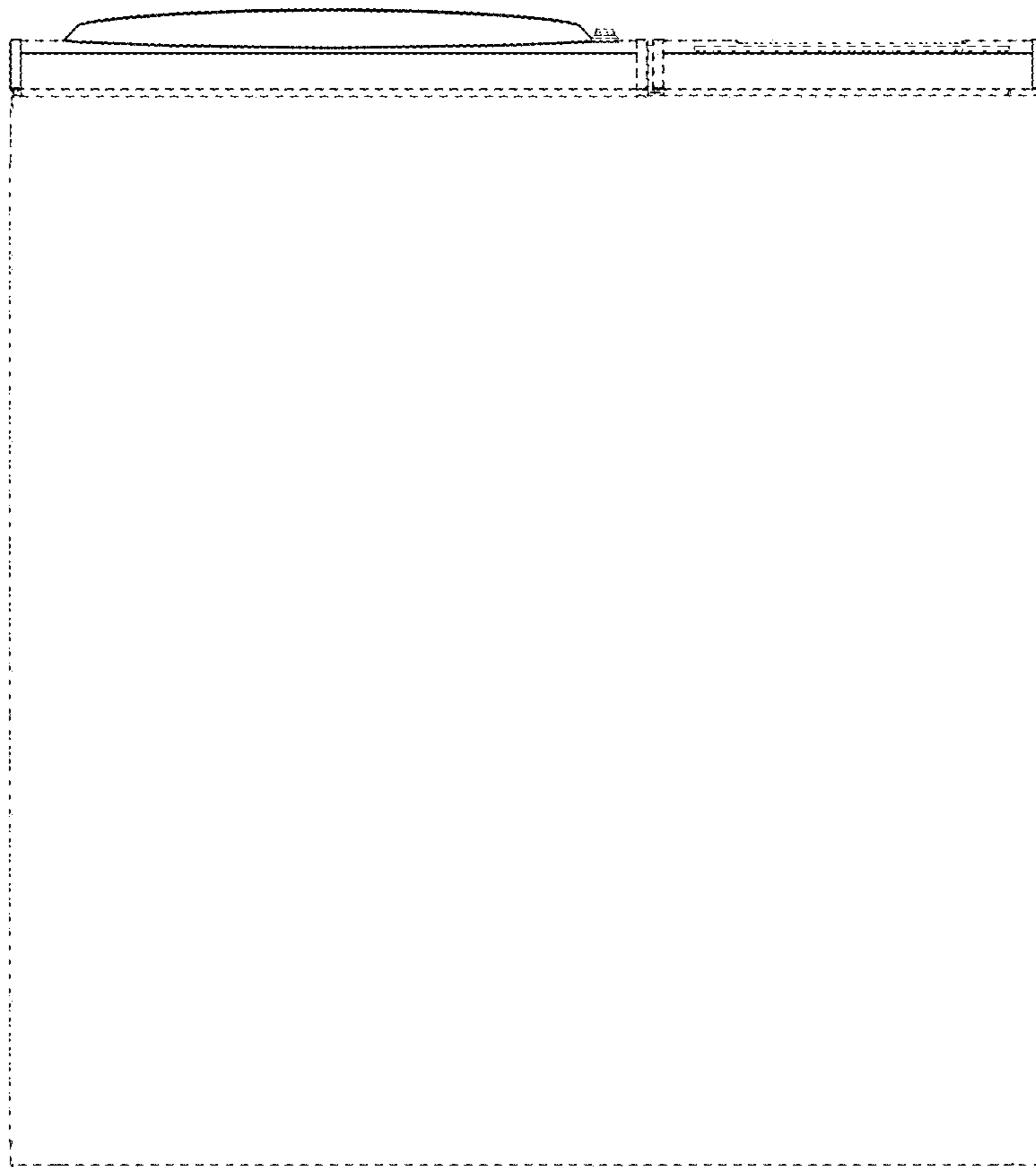


Figure 14